

- Ⓢ LIFTING POINT ACTUATOR ONLY
- D ACCORDING TO VALVE FLANGE
- X PNEUMATIC CONNECTION
- NOTE 3 CONTROL PANEL INTERFACE ACCORDING TO : DWG. GDD0198-040
- NOTE 2 COUPLING ACTUATOR INTERFACE ACCORDING TO : DWG. GDD0198-030
- NOTE 1 MICROSWITCHES GROUP INTERFACE ACCORDING TO : DWG. GDD0220

All dimensions are in mm



SINGLE ACTING PNEUMATIC ACTUATOR
 FAIL TO OPEN
 OVERALL DIMENSIONS

02	16.04.08	BERNINI	BARSOZZI
01	08.06.05	BERNINI	BARSOZZI
00	03.02.00	FERDENZI	PISARONI
rev.	date	drawn	check

OGPA000ADC

REPORTED ARE MAXIMUM DIMENSIONS - IT WILL BE CARE OF R.F.S. TO INFORM YOU IN CASE OF ANY DIMENSIONAL INCREASE

ACTUATOR MODEL	ACTUATOR OVERALL DIMENSIONS (mm)															CARTER		SPOOL * (OPTIONAL)			LIFTING POINT			CLEARANCE FOR DISASSEMBLY			DISPLACEMENT (LITRES)		X	weight	CENTER GRAVITY		
	A	B	C	B2	C2	ØE	F	F1	G	H	K	L	N	P	Q	AL	AR	M1	M (H min)	Weight	B3	C3	ES	EC	ET	Simmetric	Carted	(NPT)	(Kg)	XG	ZG	YG	
GP-065*-180*/O1	1498	864	634	672.5	353	240	273	70	65	330	145	185	70	340	80	165	190	80	60	14	468	519	260	127	140	4.20	4.27	1/4"	171	-146.6	73.0	54.4	
GP-065*-235*/O1	1503	864	639	672.5	358	310	273	70	65	365	145	220	70	395	80	165	190	80	80	14	468	524	260	127	140	7.15	7.28	1/2"	202	-68.5	73.0	56.0	
GP-065*-280*/O1	1513	864	649	672.5	368	355	273	70	65	388	145	243	70	438	80	165	190	80	100	18	468	534	260	127	140	10.16	10.34	1/2"	228	-16.9	73.0	57.0	
GP-065*-335*/O1	1523	864	659	672.5	378	415	273	70	65	418	145	273	70	488	70	165	190	80	130	18	468	544	260	127	140	14.52	14.78	1/2"	273	53.6	73.0	58.4	
GP-065*-385*/O1	1536	864	672	672.5	381	465	273	70	65	443	145	298	70	553	80	165	190	80	160	25	468	547	260	127	140	19.21	19.56	1"	310	95.2	73.0	59.1	
GP-065*-435*/O1	1541	864	677	672.5	386	515	273	70	65	468	145	323	70	598	80	165	190	80	180	25	468	552	260	127	140	24.50	24.95	1"	356	134.9	73.0	59.9	
GP-065*-485*/O1	1546	864	682	672.5	391	570	273	70	65	495	145	350	70	655	80	165	190	80	210	32	468	557	260	127	140	30.47	31.02	1"	411	170.9	73.0	60.6	
GP-065*-180*/O2	1498	864	634	672.5	353	240	273	70	65	330	145	185	70	340	80	165	190	80	60	14	468	519	260	127	140	4.20	4.27	1/4"	180	-165.5	73.0	54.9	
GP-065*-235*/O2	1503	864	639	672.5	358	310	273	70	65	365	145	220	70	395	80	165	190	80	80	14	468	524	260	127	140	7.15	7.28	1/2"	211	-87.9	73.0	56.4	
GP-065*-280*/O2	1513	864	649	672.5	368	355	273	70	65	388	145	243	70	438	80	165	190	80	100	18	468	534	260	127	140	10.16	10.34	1/2"	237	-36.2	73.0	57.3	
GP-065*-335*/O2	1523	864	659	672.5	378	415	273	70	65	418	145	273	70	488	70	165	190	80	130	18	468	544	260	127	140	14.52	14.78	1/2"	282	35.2	73.0	58.6	
GP-065*-385*/O2	1536	864	672	672.5	381	465	273	70	65	443	145	298	70	553	80	165	190	80	160	25	468	547	260	127	140	19.21	19.56	1"	319	77.8	73.0	59.3	
GP-065*-435*/O2	1541	864	677	672.5	386	515	273	70	65	468	145	323	70	598	80	165	190	80	180	25	468	552	260	127	140	24.50	24.95	1"	365	118.6	73.0	60.0	
GP-065*-485*/O2	1546	864	682	672.5	391	570	273	70	65	495	145	350	70	655	80	165	190	80	210	32	468	557	260	127	140	30.47	31.02	1"	420	156.0	73.0	60.7	
GP-065*-180*/O3	1441	807	634	615.5	353	240	323.9	70	65	330	145	185	70	370	80	165	190	80	90	14	487	519	260	127	140	4.20	4.27	1/4"	231	-228.1	73.0	57.1	
GP-065*-235*/O3	1446	807	639	615.5	358	310	323.9	70	65	365	145	220	70	405	80	165	190	80	90	14	487	524	260	127	140	7.15	7.28	1/2"	262	-158.2	73.0	58.1	
GP-065*-280*/O3	1456	807	649	615.5	368	355	323.9	70	65	388	145	243	70	438	80	165	190	80	100	18	487	534	260	127	140	10.16	10.34	1/2"	288	-109.2	73.0	58.7	
GP-065*-335*/O3	1466	807	659	615.5	378	415	323.9	70	65	418	145	273	70	488	70	165	190	80	130	18	487	544	260	127	140	14.52	14.78	1/2"	333	-39.0	73.0	59.5	
GP-065*-385*/O3	1479	807	672	615.5	381	465	323.9	70	65	443	145	298	70	553	80	165	190	80	160	25	487	547	260	127	140	19.21	19.56	1"	370	5.2	73.0	60.1	
GP-065*-435*/O3	1484	807	677	615.5	386	515	323.9	70	65	468	145	323	70	598	80	165	190	80	180	25	487	552	260	127	140	24.50	24.95	1"	416	49.1	73.0	60.6	
GP-065*-485*/O3	1489	807	682	615.5	391	570	323.9	70	65	495	145	350	70	655	80	165	190	80	210	32	487	557	260	127	140	30.47	31.02	1"	471	90.5	73.0	61.1	
GP-065*-180*/O4	1412	778	634	586.5	353	240	323.9	70	65	330	145	185	70	370	80	165	190	80	90	14	473	519	260	127	140	4.20	4.27	1/4"	230	-218.5	73.0	57.1	
GP-065*-235*/O4	1417	778	639	586.5	358	310	323.9	70	65	365	145	220	70	405	80	165	190	80	90	14	473	524	260	127	140	7.15	7.28	1/2"	261	-149.4	73.0	58.0	
GP-065*-280*/O4	1427	778	649	586.5	368	355	323.9	70	65	388	145	243	70	438	80	165	190	80	100	18	473	534	260	127	140	10.16	10.34	1/2"	287	-101.1	73.0	58.7	
GP-065*-335*/O4	1437	778	659	586.5	378	415	323.9	70	65	418	145	273	70	488	70	165	190	80	130	18	473	544	260	127	140	14.52	14.78	1/2"	332	-31.7	73.0	59.5	
GP-065*-385*/O4	1450	778	672	586.5	381	465	323.9	70	65	443	145	298	70	553	80	165	190	80	160	25	473	547	260	127	140	19.21	19.56	1"	369	11.8	73.0	60.1	
GP-065*-435*/O4	1455	778	677	586.5	386	515	323.9	70	65	468	145	323	70	598	80	165	190	80	180	25	473	552	260	127	140	24.50	24.95	1"	415	55.1	73.0	60.6	
GP-065*-485*/O4	1460	778	682	586.5	391	570	323.9	70	65	495	145	350	70	655	80	165	190	80	210	32	473	557	260	127	140	30.47	31.02	1"	470	95.9	73.0	61.1	

GP 065
* CARTER CARBON STEEL - FLANGE TYPE ISO F25

GP RANGE METRIC DIMENSION DATA
- SPRING RETURN FAIL OPEN - OGPA00ADC REV.2

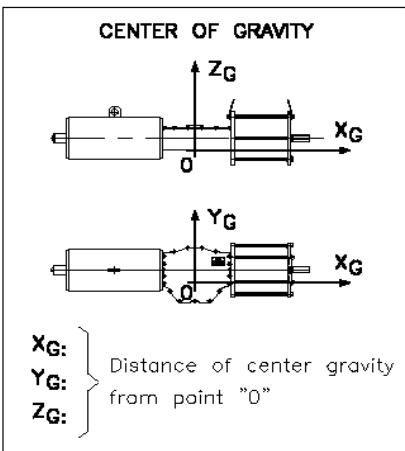
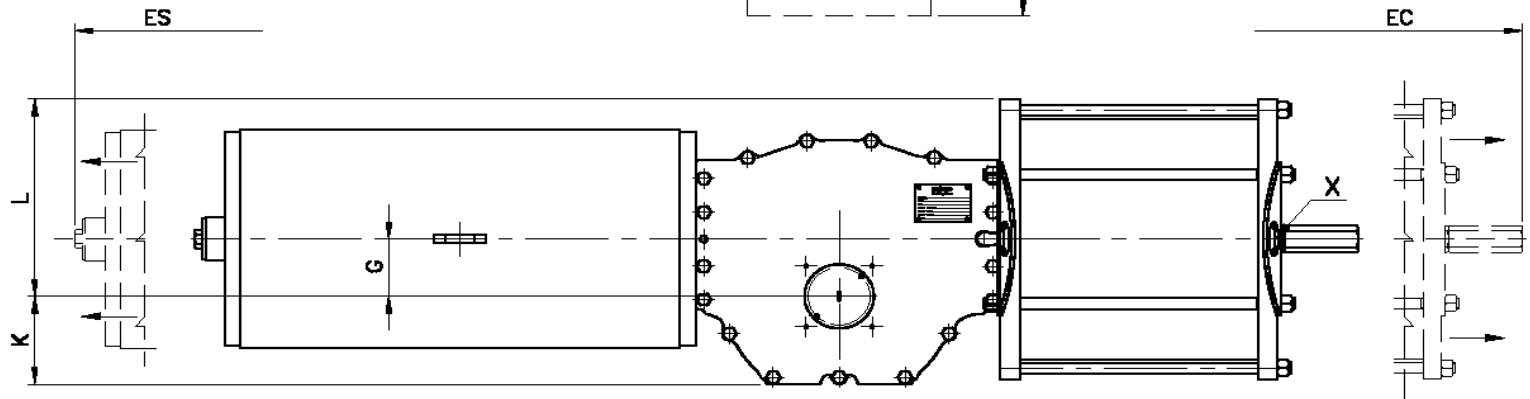
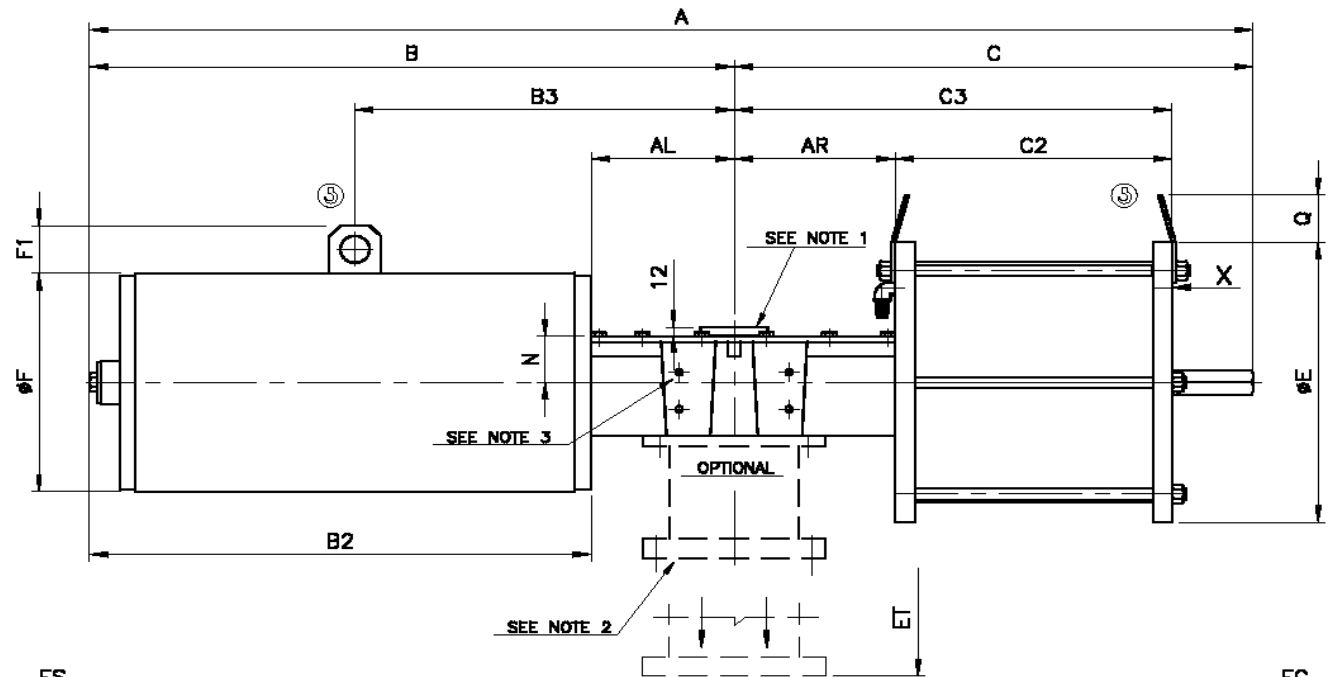
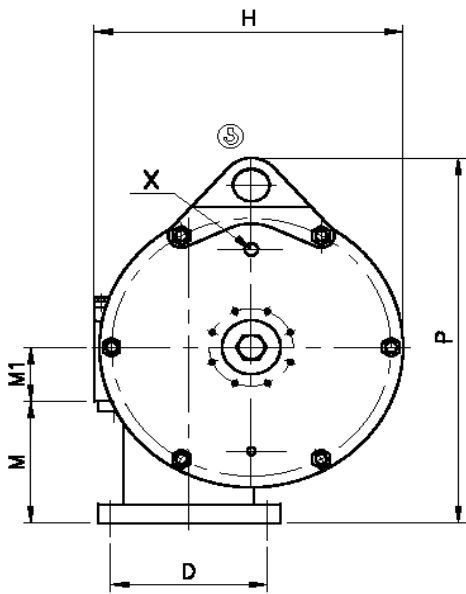
Table with columns: ACTUATOR MODEL, ACTUATOR OVERALL DIMENSIONS (mm), CARTER, SPOOL (OPTIONAL), LIFTING POINT, CLEARANCE FOR DISASSEMBLY, DISPLACEMENT (LITRES), X, weight, CENTER GRAVITY. Includes sections for GP 085 and GP 100 actuators.

**GP RANGE METRIC DIMENSION DATA
- SPRING RETURN FAIL OPEN - OGPA00ADC REV.2**

ACTUATOR MODEL	ACTUATOR OVERALL DIMENSIONS (mm)															CARTER		SPOOL * (OPTIONAL)		LIFTING POINT		CLEARANCE FOR DISASSEMBLY			DISPLACEMENT (LITRES)		X (NPT)	weight (Kg)	CENTER GRAVITY				
	A	B	C	B2	C2	ØE	F	F1	G	H	K	L	N	P	Q	AL	AR	M1	M (H min)	Weight	B3	C3	ES	EC	ET	Simmetric			Carted	(Kg)	XG	ZG	YG
"NEW" GP 161 - CARTER CAST IRON - FLANGE TYPE ISO F38	GP-161-435/O2	3195	2081	1115	1693	597	515	609.6	100	160	658	240	418	140.5	681	115	347.5	387.5	158	150	60	1228	945	541	258	289	60.59	61.48	1"	1481	-642.0	136.3	147.1
	GP-161-485/O2	3195	2081	1115	1693	597	570	609.6	100	160	885	240	445	140.5	673	80	347.5	387.5	158	150	75	1228	945	541	258	289	75.34	76.45	1"	1524	-607.7	136.3	147.5
	GP-161-535/O2	3200	2081	1120	1693	602	620	609.6	100	160	710	240	470	140.5	738	110	347.5	387.5	158	160	87	1228	950	541	258	289	91.67	93.02	1"	1588	-551.3	136.3	148.0
	GP-161-585/O2	3215	2081	1135	1693	602	680	609.6	100	160	740	240	500	140.5	788	100	347.5	387.5	158	190	87	1228	950	541	258	289	109.61	111.22	1"	1666	-492.9	136.3	148.5
	GP-161-635/O2	3225	2081	1145	1693	612	730	609.6	100	160	765	240	525	140.5	843	110	347.5	387.5	158	210	98	1228	960	541	258	289	129.13	131.03	1"	1767	-421.7	136.3	149.2
	GP-161-685/O2	3225	2081	1145	1693	612	780	609.6	100	160	790	240	550	140.5	898	110	347.5	387.5	158	240	105	1228	960	541	258	289	150.28	152.49	1"	1849	-371.6	136.3	149.7
	GP-161-735/O2	3257	2081	1177	1693	627	840	609.6	100	160	820	240	580	140.5	943	95	347.5	387.5	158	270	105	1228	975	541	258	289	172.99	175.54	1"	1998	-286.3	136.3	150.4
	GP-161-785/O2	3261	2081	1181	1693	631	890	609.6	100	160	845	240	605	140.5	988	95	347.5	387.5	158	290	115	1228	979	541	258	289	197.39	200.29	1"	2109	-230.9	136.3	150.9
	GP-161-835/O2	3404	2081	1324	1693	686	940	609.6	100	160	870	240	630	140.5	1088	140	347.5	387.5	158	320	115	1228	1034	541	258	289	223.34	226.62	1"	2318	-128.0	136.3	151.8
	GP-161-435/O3	3025	1911	1115	1523	597	515	609.6	100	160	658	240	418	140.5	681	115	347.5	387.5	158	150	60	1228	945	541	258	289	60.59	61.48	1"	1444	-575.0	136.3	146.8
	GP-161-485/O3	3025	1911	1115	1523	597	570	609.6	100	160	885	240	445	140.5	673	80	347.5	387.5	158	150	75	1228	945	541	258	289	75.34	76.45	1"	1487	-541.8	136.3	147.2
	GP-161-535/O3	3030	1911	1120	1523	602	620	609.6	100	160	710	240	470	140.5	738	110	347.5	387.5	158	160	87	1228	950	541	258	289	91.67	93.02	1"	1551	-486.7	136.3	147.7
	GP-161-585/O3	3045	1911	1135	1523	602	680	609.6	100	160	740	240	500	140.5	788	100	347.5	387.5	158	190	87	1228	950	541	258	289	109.61	111.22	1"	1629	-430.1	136.3	148.3
	GP-161-635/O3	3055	1911	1145	1523	612	730	609.6	100	160	765	240	525	140.5	843	110	347.5	387.5	158	210	98	1228	960	541	258	289	129.13	131.03	1"	1730	-361.1	136.3	149.0
	GP-161-685/O3	3055	1911	1145	1523	612	780	609.6	100	160	790	240	550	140.5	898	110	347.5	387.5	158	240	105	1228	960	541	258	289	150.28	152.49	1"	1812	-312.7	136.3	149.5
	GP-161-735/O3	3087	1911	1177	1523	627	840	609.6	100	160	820	240	580	140.5	943	95	347.5	387.5	158	270	105	1228	975	541	258	289	172.99	175.54	1"	1961	-230.2	136.3	150.3
	GP-161-785/O3	3091	1911	1181	1523	631	890	609.6	100	160	845	240	605	140.5	988	95	347.5	387.5	158	290	115	1228	979	541	258	289	197.39	200.29	1"	2072	-176.8	136.3	150.8
	GP-161-835/O3	3234	1911	1324	1523	686	940	609.6	100	160	870	240	630	140.5	1088	140	347.5	387.5	158	320	115	1228	1034	541	258	289	223.34	226.62	1"	2281	-77.2	136.3	151.6
	GP-161-435/O4	3025	1911	1115	1523	597	515	609.6	100	160	658	240	418	140.5	681	115	347.5	387.5	158	150	60	1228	945	541	258	289	60.59	61.48	1"	1616	-636.0	136.3	148.2
	GP-161-485/O4	3025	1911	1115	1523	597	570	609.6	100	160	885	240	445	140.5	673	80	347.5	387.5	158	150	75	1228	945	541	258	289	75.34	76.45	1"	1659	-604.6	136.3	148.5
	GP-161-535/O4	3030	1911	1120	1523	602	620	609.6	100	160	710	240	470	140.5	738	110	347.5	387.5	158	160	87	1228	950	541	258	289	91.67	93.02	1"	1723	-552.7	136.3	148.9
	GP-161-585/O4	3045	1911	1135	1523	602	680	609.6	100	160	740	240	500	140.5	788	100	347.5	387.5	158	190	87	1228	950	541	258	289	109.61	111.22	1"	1801	-498.7	136.3	149.4
	GP-161-635/O4	3055	1911	1145	1523	612	730	609.6	100	160	765	240	525	140.5	843	110	347.5	387.5	158	210	98	1228	960	541	258	289	129.13	131.03	1"	1902	-432.2	136.3	150.0
	GP-161-685/O4	3055	1911	1145	1523	612	780	609.6	100	160	790	240	550	140.5	898	110	347.5	387.5	158	240	105	1228	960	541	258	289	150.28	152.49	1"	1984	-385.1	136.3	150.4
	GP-161-735/O4	3087	1911	1177	1523	627	840	609.6	100	160	820	240	580	140.5	943	95	347.5	387.5	158	270	105	1228	975	541	258	289	172.99	175.54	1"	2133	-304.2	136.3	151.1
	GP-161-785/O4	3091	1911	1181	1523	631	890	609.6	100	160	845	240	605	140.5	988	95	347.5	387.5	158	290	115	1228	979	541	258	289	197.39	200.29	1"	2244	-251.2	136.3	151.5
	GP-161-835/O4	3234	1911	1324	1523	686	940	609.6	100	160	870	240	630	140.5	1088	140	347.5	387.5	158	320	115	1228	1034	541	258	289	223.34	226.62	1"	2453	-152.3	136.3	152.2
	GP-161-435/O5	3036	1922	1115	1534	597	515	609.6	100	160	658	240	418	140.5	681	115	347.5	387.5	158	150	60	1228	945	541	258	289	60.59	61.48	1"	1616	-636.0	136.3	148.2
	GP-161-485/O5	3036	1922	1115	1534	597	570	609.6	100	160	885	240	445	140.5	673	80	347.5	387.5	158	150	75	1228	945	541	258	289	75.34	76.45	1"	1659	-608.1	136.3	148.5
	GP-161-535/O5	3041	1922	1120	1534	602	620	609.6	100	160	710	240	470	140.5	738	110	347.5	387.5	158	160	87	1228	950	541	258	289	91.67	93.02	1"	1723	-556.1	136.3	148.9
	GP-161-585/O5	3056	1922	1135	1534	602	680	609.6	100	160	740	240	500	140.5	788	100	347.5	387.5	158	190	87	1228	950	541	258	289	109.61	111.22	1"	1801	-501.9	136.3	149.4
	GP-161-635/O5	3066	1922	1145	1534	612	730	609.6	100	160	765	240	525	140.5	843	110	347.5	387.5	158	210	98	1228	960	541	258	289	129.13	131.03	1"	1902	-435.2	136.3	150.0
GP-161-685/O5	3066	1922	1145	1534	612	780	609.6	100	160	790	240	550	140.5	898	110	347.5	387.5	158	240	105	1228	960	541	258	289	150.28	152.49	1"	1984	-388.0	136.3	150.4	
GP-161-735/O5	3098	1922	1177	1534	627	840	609.6	100	160	820	240	580	140.5	943	95	347.5	387.5	158	270	105	1228	975	541	258	289	172.99	175.54	1"	2133	-306.9	136.3	151.1	
GP-161-785/O5	3102	1922	1181	1534	631	890	609.6	100	160	845	240	605	140.5	988	95	347.5	387.5	158	290	115	1228	979	541	258	289	197.39	200.29	1"	2244	-253.8	136.3	151.5	
GP-161-835/O5	3238	1922	1316	1534	686	940	609.6	100	160	870	240	630	140.5	1088	140	340.0	387.5	158	320	115	1228	1026	534	258	289	223.34	226.62	1"	2453	-158.2	136.3	152.2	
GP 200 - CARTER CARBON STEEL - FLANGE TYPE ISO F40	GP-200-485/O1	3360	1993	1367	1517	741	570	609.6	100	200	765	280	485	128	678	80	425	475	153	160	125	1215	1167	663	317	271	93.43	95.46	1"	1826	-522.3	137.9	180.9
	GP-200-535/O1	3365	1993	1372	1517	746	620	609.6	100	200	790	280	510	128	693	70	425	475	153	160	125	1215	1172	663	317	271	113.69	116.16	1"	1904	-465.2	137.9	181.7
	GP-200-585/O1	3365	1993	1372	1517	746	680	609.6	100	200	820	280	540	128	783	100	425	475	153	190	145	1215	1172	663	317	271	135.93	138.89	1"	1996	-403.3	137.9	182.6
	GP-200-635/O1</																																

**GP RANGE METRIC DIMENSION DATA
- SPRING RETURN FAIL OPEN - OGPA000ADC REV.2**

ACTUATOR MODEL	ACTUATOR OVERALL DIMENSIONS (mm)															CARTER		SPOOL * (OPTIONAL)			LIFTING POINT		CLEARANCE FOR DISASSEMBLY			DISPLACEMENT (LITRES)		X	weight	CENTER GRAVITY			
	A	B	C	B2	C2	ØE	F	F1	G	H	K	L	N	P	Q	AL	AR	M1	M (H min)	Weight	B3	C3	ES	EC	ET	Simmetric	Carted	(NPT)	(Kg)	XG	ZG	YG	
- CARTER CARB	GP-201*-635*/O7	3989	2617	1372	2141	746	730	609.6	100	200	845	280	565	149	848	110	425	475	163	210	145	1527	1172	663	317	302	162.36	164.58	1"	2768	-680.8	147.8	185.4
	GP-201*-685*/O7	3989	2617	1372	2141	746	780	609.6	100	200	870	280	590	149	893	110	425	475	163	230	162	1527	1172	663	317	302	188.96	191.54	1"	2857	-632.9	147.8	185.8
	GP-201*-735*/O7	4006	2617	1389	2141	756	840	609.6	100	200	900	280	620	149	938	95	425	475	163	260	162	1527	1182	663	317	302	217.51	220.48	1"	2992	-563.6	147.8	186.5
	GP-201*-785*/O7	4012	2617	1395	2141	762	890	609.6	100	200	925	280	645	149	993	95	425	475	163	290	175	1527	1188	663	317	302	248.19	251.58	1"	3093	-512.7	147.8	186.9
	GP-201*-835*/O7	4104	2617	1487	2141	771	940	609.6	100	200	950	280	670	149	1083	140	425	475	163	310	190	1527	1197	663	317	302	280.82	284.65	1"	3298	-424.2	147.8	187.7
	GP-201*-885*/O7	4104	2617	1487	2141	771	990	609.6	100	200	975	280	695	149	1138	140	425	475	163	340	190	1527	1197	663	317	302	315.41	319.71	1"	3393	-386.9	147.8	188.1
	GP-201*-935*/O7	4109	2617	1492	2141	776	1040	609.6	100	200	1000	280	720	149	1178	135	425	475	163	360	210	1527	1202	663	317	302	352.07	356.88	1"	3523	-336.7	147.8	188.5
	GP-201*-937*/O7	4109	2617	1492	2141	776	1090	609.6	100	200	1025	280	745	149	1233	135	425	475	163	390	240	1527	1202	663	317	302	390.91	396.24	1"	3398	-375.5	147.8	188.1
	GP-201*-940*/O7	4145	2617	1528	2141	812	1160	609.6	100	200	1060	280	780	149	1283	120	425	475	163	420	240	1527	1238	663	317	302	444.00	450.06	1"	4113	-151.5	147.8	190.2
	GP-201*-965*/O7	4292	2617	1675	2141	959	1410	609.6	100	200	1185	280	905	149	1553	135	425	475	163	550	310	1527	1385	663	317	302	680.75	690.04	1"	5408	182.8	147.8	192.5



- Ⓢ LIFTING POINT ACTUATOR ONLY
- D ACCORDING TO VALVE FLANGE
- X PNEUMATIC CONNECTION
- NOTE 3 CONTROL PANEL INTERFACE ACCORDING TO : DWG. GD00198-040
- NOTE 2 COUPLING ACTUATOR INTERFACE ACCORDING TO : DWG. GD00198-030
- NOTE 1 MICROSWITCHES GROUP INTERFACE ACCORDING TO : DWG. GD00220

All dimensions are in mm



SINGLE ACTING PNEUMATIC ACTUATOR
FAIL TO CLOSE
OVERALL DIMENSIONS

02	16.04.08	BERNINI	BARSAOTTI
01	08.06.05	BERNINI	BARSAOTTI
00	03.02.00	FERDENZI	PISARONI
rev.	date	drawn	check
OGPC000ADC			

REPORTED ARE MAXIMUM DIMENSIONS - IT WILL BE CARE OF R.F.S. TO INFORM YOU IN CASE OF ANY DIMENSIONAL INCREASE

**GP RANGE METRIC DIMENSION DATA
- SPRING RETURN FAIL CLOSE - OGPC000ADC REV.2**

ACTUATOR MODEL	ACTUATOR OVERALL DIMENSIONS (mm)																CARTER		SPOOL * (OPTIONAL)		LIFTING POINT		CLEARANCE FOR DISASSEMBLY			DISPLACEMENT (LITRES)		X	weight	CENTER GRAVITY			
	A	B	C	B2	C2	C4	ØE	F	F1	G	H	K	L	N	P	Q	AL	AR	M1	M (H min)	Weight	B3	C3	ES	EC	ET	Simmetric	Canted	(NPT)	(Kg)	XG	ZG	YG
GP-065-180/C1	1498	839	659	672.5	353	115	240	273	70	65	330	145	185	70	340	80	165	190	80	60	14	443	544	260	127	140	4.20	4.27	1/4"	171	-125.6	73.0	54.4
GP-065-235/C1	1503	839	664	672.5	358	115	310	273	70	65	365	145	220	70	395	80	165	190	80	80	14	443	549	260	127	140	7.15	7.28	1/2"	202	-46.9	73.0	56.0
GP-065-280/C1	1513	839	674	672.5	368	115	355	273	70	65	388	145	243	70	438	80	165	190	80	100	18	443	559	260	127	140	10.16	10.34	1/2"	228	5.1	73.0	57.0
GP-065-335/C1	1523	839	684	672.5	378	115	415	273	70	65	418	145	273	70	488	70	165	190	80	130	18	443	569	260	127	140	14.52	14.78	1/2"	273	76.1	73.0	58.4
GP-065-385/C1	1536	839	697	672.5	381	125	465	273	70	65	443	145	298	70	553	80	165	190	80	160	25	443	572	260	127	140	19.21	19.56	1"	310	118.0	73.0	59.1
GP-065-435/C1	1541	839	702	672.5	386	125	515	273	70	65	468	145	323	70	598	80	165	190	80	180	25	443	577	260	127	140	24.50	24.95	1"	356	158.0	73.0	59.9
GP-065-485/C1	1546	839	707	672.5	391	125	570	273	70	65	495	145	350	70	655	80	165	190	80	210	32	443	582	260	127	140	30.47	31.02	1"	411	194.2	73.0	60.6
GP-065-180/C2	1498	839	659	672.5	353	115	240	273	70	65	330	145	185	70	340	80	165	190	80	60	14	443	544	260	127	140	4.20	4.27	1/4"	180	-144.3	73.0	54.9
GP-065-235/C2	1503	839	664	672.5	358	115	310	273	70	65	365	145	220	70	395	80	165	190	80	80	14	443	549	260	127	140	7.15	7.28	1/2"	211	-66.2	73.0	56.4
GP-065-280/C2	1513	839	674	672.5	368	115	355	273	70	65	388	145	243	70	438	80	165	190	80	100	18	443	559	260	127	140	10.16	10.34	1/2"	237	-14.1	73.0	57.3
GP-065-335/C2	1523	839	684	672.5	378	115	415	273	70	65	418	145	273	70	488	70	165	190	80	130	18	443	569	260	127	140	14.52	14.78	1/2"	282	57.7	73.0	58.6
GP-065-385/C2	1536	839	697	672.5	381	125	465	273	70	65	443	145	298	70	553	80	165	190	80	160	25	443	572	260	127	140	19.21	19.56	1"	319	100.6	73.0	59.3
GP-065-435/C2	1541	839	702	672.5	386	125	515	273	70	65	468	145	323	70	598	80	165	190	80	180	25	443	577	260	127	140	24.50	24.95	1"	365	141.8	73.0	60.0
GP-065-485/C2	1546	839	707	672.5	391	125	570	273	70	65	495	145	350	70	655	80	165	190	80	210	32	443	582	260	127	140	30.47	31.02	1"	420	179.4	73.0	60.7
GP-065-180/C3	1441	782	659	615.5	353	115	240	323.9	70	65	330	145	185	70	370	80	165	190	80	90	14	462	544	260	127	140	4.20	4.27	1/4"	231	-206.1	73.0	57.1
GP-065-235/C3	1446	782	664	615.5	358	115	310	323.9	70	65	365	145	220	70	405	80	165	190	80	90	14	462	549	260	127	140	7.15	7.28	1/2"	262	-135.8	73.0	58.1
GP-065-280/C3	1456	782	674	615.5	368	115	355	323.9	70	65	388	145	243	70	438	80	165	190	80	100	18	462	559	260	127	140	10.16	10.34	1/2"	288	-86.6	73.0	58.7
GP-065-335/C3	1466	782	684	615.5	378	115	415	323.9	70	65	418	145	273	70	488	70	165	190	80	130	18	462	569	260	127	140	14.52	14.78	1/2"	333	-16.0	73.0	59.5
GP-065-385/C3	1479	782	697	615.5	381	125	465	323.9	70	65	443	145	298	70	553	80	165	190	80	160	25	462	572	260	127	140	19.21	19.56	1"	370	28.3	73.0	60.1
GP-065-435/C3	1484	782	702	615.5	386	125	515	323.9	70	65	468	145	323	70	598	80	165	190	80	180	25	462	577	260	127	140	24.50	24.95	1"	416	72.4	73.0	60.6
GP-065-485/C3	1489	782	707	615.5	391	125	570	323.9	70	65	495	145	350	70	655	80	165	190	80	210	32	462	582	260	127	140	30.47	31.02	1"	471	114.0	73.0	61.1
GP-065-180/C4	1412	753	659	586.5	353	115	240	323.9	70	65	330	145	185	70	370	80	165	190	80	90	14	448	544	260	127	140	4.20	4.27	1/4"	230	-196.4	73.0	57.1
GP-065-235/C4	1417	753	664	586.5	358	115	310	323.9	70	65	365	145	220	70	405	80	165	190	80	90	14	448	549	260	127	140	7.15	7.28	1/2"	261	-127.0	73.0	58.0
GP-065-280/C4	1427	753	674	586.5	368	115	355	323.9	70	65	388	145	243	70	438	80	165	190	80	100	18	448	559	260	127	140	10.16	10.34	1/2"	287	-78.5	73.0	58.7
GP-065-335/C4	1437	753	684	586.5	378	115	415	323.9	70	65	418	145	273	70	488	70	165	190	80	130	18	448	569	260	127	140	14.52	14.78	1/2"	332	-8.8	73.0	59.5
GP-065-385/C4	1450	753	697	586.5	381	125	465	323.9	70	65	443	145	298	70	553	80	165	190	80	160	25	448	572	260	127	140	19.21	19.56	1"	369	35.0	73.0	60.1
GP-065-435/C4	1455	753	702	586.5	386	125	515	323.9	70	65	468	145	323	70	598	80	165	190	80	180	25	448	577	260	127	140	24.50	24.95	1"	415	78.4	73.0	60.6
GP-065-485/C4	1460	753	707	586.5	391	125	570	323.9	70	65	495	145	350	70	655	80	165	190	80	210	32	448	582	260	127	140	30.47	31.02	1"	470	119.4	73.0	61.1

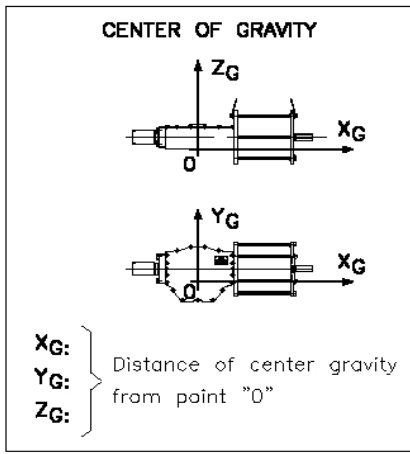
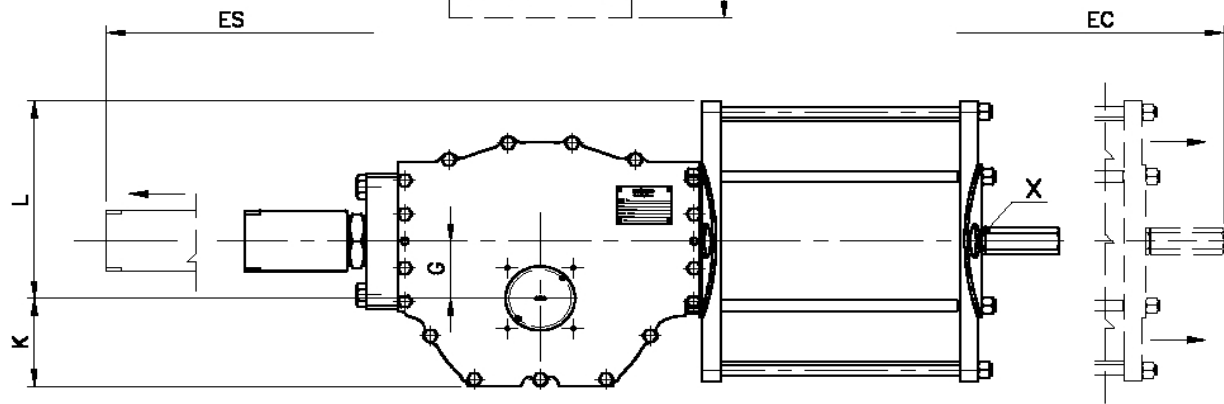
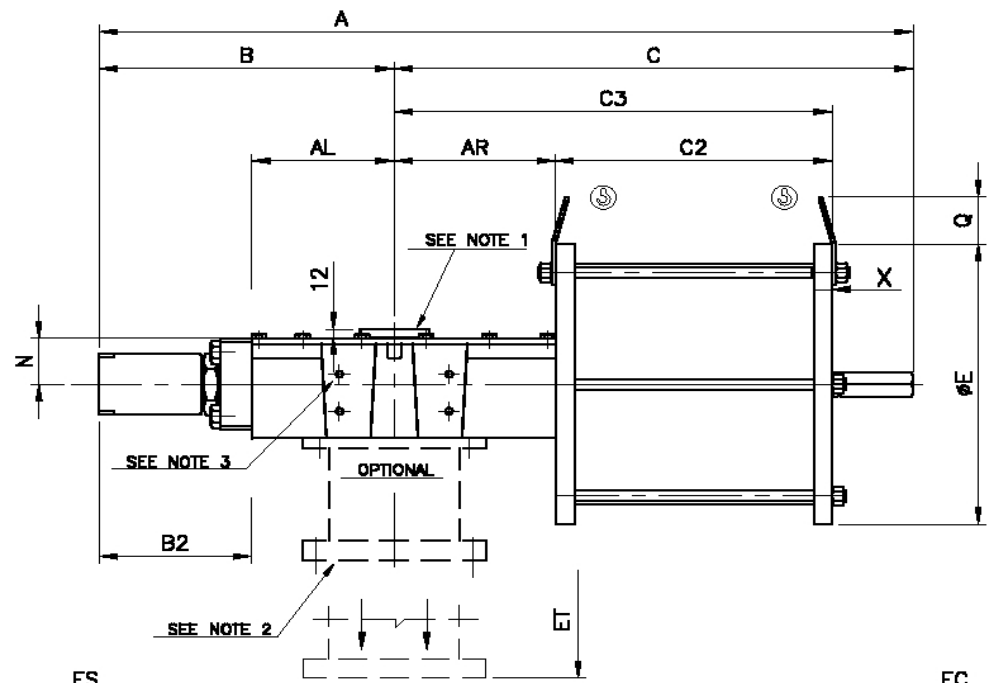
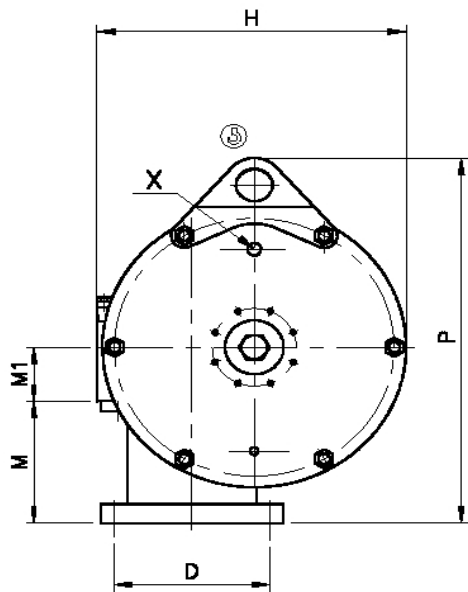
GP 065
- CARTER CARBON STEEL - FLANGE TYPE ISO F25

**GP RANGE METRIC DIMENSION DATA
- SPRING RETURN FAIL CLOSE - OGPC000ADC REV.2**

ACTUATOR MODEL	ACTUATOR OVERALL DIMENSIONS (mm)																CARTER		SPOOL * (OPTIONAL)		LIFTING POINT		CLEARANCE FOR DISASSEMBLY			DISPLACEMENT (LITRES)		X	weight	CENTER GRAVITY			
	A	B	C	B2	C2	C4	ØE	F	F1	G	H	K	L	N	P	Q	AL	AR	M1	M (H min)	Weight	B3	C3	ES	EC	ET	Simmetric	Canted	(NPT)	(Kg)	XG	ZG	YG
GP-270°-735°/C0	4961	3176	1785	2665	947	257	840	711.2	150	270	1000	310	690	164	935	95	510	580	180	240	175	1807	1528	800	387	334	292.14	295.95	1"	4229	-816.4	168.9	251.4
GP-270°-785°/C0	4961	3176	1785	2665	947	257	890	711.2	150	270	1025	310	715	164	990	95	510	580	180	270	175	1807	1528	800	387	334	333.06	337.41	1"	4292	-784.8	168.9	251.7
GP-270°-835°/C0	5041	3176	1865	2665	979	305	940	711.2	150	270	1050	310	740	164	1080	140	510	580	180	290	190	1807	1560	800	387	334	377.16	382.09	1"	4487	-694.5	168.9	252.5
GP-270°-935°/C0	5028	3176	1852	2665	966	305	1040	711.2	150	270	1100	310	790	164	1175	135	510	580	180	340	210	1807	1547	800	387	334	472.86	479.04	1"	4756	-590.2	168.9	253.5
GP-270°-937°/C0	5028	3176	1852	2665	966	305	1090	711.2	150	270	1125	310	815	164	1230	135	510	580	180	370	230	1807	1547	800	387	334	525.02	531.11	1"	4862	-550.7	168.9	253.9
GP-270°-940°/C0	5059	3176	1883	2665	996	306	1160	711.2	150	270	1160	310	850	164	1280	120	510	580	180	400	255	1807	1577	800	387	334	596.33	604.12	1"	5200	-433.3	168.9	254.9
GP-270°-942°/C0	5064	3176	1888	2665	1001	306	1215	711.2	150	270	1188	310	878	164	1348	130	510	580	180	430	255	1807	1582	800	387	334	654.55	663.10	1"	5491	-347.6	168.9	255.7
GP-270°-945°/C0	5064	3176	1888	2665	1001	306	1270	711.2	150	270	1215	310	905	164	1410	135	510	580	180	460	295	1807	1582	800	387	334	715.32	724.66	1"	5800	-269.1	168.9	256.5
GP-270°-960°/C0	5156	3176	1980	2665	1093	306	1320	711.2	150	270	1240	310	930	164	1460	140	510	580	180	480	295	1807	1674	800	387	334	778.91	789.09	1"	6637	-55.5	168.9	258.2
GP-270°-962°/C0	5130	3176	1954	2665	1067	306	1355	711.2	150	270	1258	310	948	164	1498	140	510	580	180	500	315	1807	1648	800	387	334	845.13	856.17	1"	6719	-44.7	168.9	258.3
GP-270°-965°/C0	5164	3176	1988	2665	1101	306	1410	711.2	150	270	1285	310	975	164	1550	135	510	580	180	530	315	1807	1682	800	387	334	914.30	926.25	1"	7323	77.6	168.9	259.3
GP-270°-972°/C0	5110	3176	1934	2665	1047	306	1520	711.2	150	270	1340	310	1030	164	1665	145	510	580	180	580	360	1807	1628	800	387	334	1060.37	1074.22	1"	6982	-10.8	168.9	258.8
GP-270°-735°/C2	4961	3176	1785	2665	947	257	840	711.2	150	270	1000	310	690	164	935	95	510	580	180	240	175	1807	1528	800	387	334	292.14	295.95	1"	4486	-875.1	168.9	252.5
GP-270°-785°/C2	4961	3176	1785	2665	947	257	890	711.2	150	270	1025	310	715	164	990	95	510	580	180	270	175	1807	1528	800	387	334	333.06	337.41	1"	4549	-844.5	168.9	252.7
GP-270°-835°/C2	5041	3176	1865	2665	979	305	940	711.2	150	270	1050	310	740	164	1080	140	510	580	180	290	190	1807	1560	800	387	334	377.16	382.09	1"	4744	-756.5	168.9	253.5
GP-270°-935°/C2	5028	3176	1852	2665	966	305	1040	711.2	150	270	1100	310	790	164	1175	135	510	580	180	340	210	1807	1547	800	387	334	472.86	479.04	1"	5013	-654.2	168.9	254.3
GP-270°-937°/C2	5028	3176	1852	2665	966	305	1090	711.2	150	270	1125	310	815	164	1230	135	510	580	180	370	230	1807	1547	800	387	334	525.02	531.11	1"	5119	-615.5	168.9	254.7
GP-270°-940°/C2	5059	3176	1883	2665	996	306	1160	711.2	150	270	1160	310	850	164	1280	120	510	580	180	400	255	1807	1577	800	387	334	596.33	604.12	1"	5457	-499.5	168.9	255.6
GP-270°-942°/C2	5064	3176	1888	2665	1001	306	1215	711.2	150	270	1188	310	878	164	1348	130	510	580	180	430	255	1807	1582	800	387	334	654.55	663.10	1"	5748	-414.3	168.9	256.3
GP-270°-945°/C2	5064	3176	1888	2665	1001	306	1270	711.2	150	270	1215	310	905	164	1410	135	510	580	180	460	295	1807	1582	800	387	334	715.32	724.66	1"	6057	-335.7	168.9	257.0
GP-270°-960°/C2	5156	3176	1980	2665	1093	306	1320	711.2	150	270	1240	310	930	164	1460	140	510	580	180	480	295	1807	1674	800	387	334	778.91	789.09	1"	6894	-122.0	168.9	258.6
GP-270°-962°/C2	5130	3176	1954	2665	1067	306	1355	711.2	150	270	1258	310	948	164	1498	140	510	580	180	500	315	1807	1648	800	387	334	845.13	856.17	1"	6976	-110.8	168.9	258.7
GP-270°-965°/C2	5164	3176	1988	2665	1101	306	1410	711.2	150	270	1285	310	975	164	1550	135	510	580	180	530	315	1807	1682	800	387	334	914.30	926.25	1"	7590	12.6	168.9	259.6
GP-270°-972°/C2	5110	3176	1934	2665	1047	306	1520	711.2	150	270	1340	310	1030	164	1665	145	510	580	180	580	360	1807	1628	800	387	334	1060.37	1074.22	1"	7239	-74.7	168.9	259.2
GP-270°-735°/C3	4961	3176	1785	2665	947	257	840	711.2	150	270	1000	310	690	164	935	95	510	580	180	240	175	1807	1528	800	387	334	292.14	295.95	1"	4500	-878.1	168.9	252.6
GP-270°-785°/C3	4961	3176	1785	2665	947	257	890	711.2	150	270	1025	310	715	164	990	95	510	580	180	270	175	1807	1528	800	387	334	333.06	337.41	1"	4563	-847.5	168.9	252.8
GP-270°-835°/C3	5041	3176	1865	2665	979	305	940	711.2	150	270	1050	310	740	164	1080	140	510	580	180	290	190	1807	1560	800	387	334	377.16	382.09	1"	4758	-759.7	168.9	253.5
GP-270°-935°/C3	5028	3176	1852	2665	966	305	1040	711.2	150	270	1100	310	790	164	1175	135	510	580	180	340	210	1807	1547	800	387	334	472.86	479.04	1"	5027	-657.5	168.9	254.4
GP-270°-937°/C3	5028	3176	1852	2665	966	305	1090	711.2	150	270	1125	310	815	164	1230	135	510	580	180	370	230	1807	1547	800	387	334	525.02	531.11	1"	5133	-618.8	168.9	254.7
GP-270°-940°/C3	5059	3176	1883	2665	996	306	1160	711.2	150	270	1160	310	850	164	1280	120	510	580	180	400	255	1807	1577	800	387	334	596.33	604.12	1"	5471	-503.0	168.9	255.7
GP-270°-942°/C3	5064	3176	1888	2665	1001	306	1215	711.2	150	270	1188	310	878	164	1348	130	510	580	180	430	255	1807	1582	800	387	334	654.55	663.10	1"	5762	-417.8	168.9	256.4
GP-270°-945°/C3	5064	3176	1888	2665	1001	306	1270	711.2	150	270	1215	310	905	164	1410	135	510	580	180	460	295	1807	1582	800	387	334	715.32	724.66	1"	6071	-339.2	168.9	257.1
GP-270°-960°/C3	5156	3176	1980	2665	1093	306	1320	711.2	150	270	1240	310	930	164	1460	140	510	580	180	480	295	1807	1674	800	387	334	778.91	789.09	1"	6908	-125.5	168.9	258.6
GP-270°-962°/C3	5130	3176	1954	2665	1067	306	1355	711.2	150	270	1258	310	948	164	1498	140	510	580	180	500	315	1807	1648	800	387	334	845.13	856.17	1"	6990	-114.3	168.9	258.8
GP-270°-965°/C3	5164	3176	1988	2665	1101	306	1410	711.2	150	270	1285	310	975	164	1550	135	510	580	180	530	315	1807	1682	800	387	334	914.30	926.25	1"	7594	9.1	168.9	259.7
GP-270°-972°/C3	5110	3176	1934	2665	1047	306	1520	711.2	150	270	1340	310	1030	164	1665	145	510	580	180	580	360	1807	1628	800	387	334	1060.37	1074.22	1"	7253	-79.1	168.9	259.2
GP-270°-735°/C4	5021	3236	1785	2725	947	257	840	711.2	150	270	1000	310	690	164	935	95	510	580	180	240	175	1837	1528	800	387	334	292.14	295.95	1"	4164	-817.7	168.9	251.2
GP-270°-785°/C4	5021	3236	1785	2725	947	257	890	711.2	150	270	1025	310	715	164	990	95	510	580	180	270	175	1837	1528	800	387	334	333.06	337.41	1"	4227	-785.6	168.9	251.4
GP-270°-835°/C4	5101	3236	1865	2725	979	305	940	711																									

GP RANGE METRIC DIMENSION DATA
- SPRING RETURN FAIL CLOSE - OGPC000ADC REV.2

ACTUATOR MODEL	ACTUATOR OVERALL DIMENSIONS (mm)																CARTER		SPOOL * (OPTIONAL)		LIFTING POINT		CLEARANCE FOR DISASSEMBLY			DISPLACEMENT (LITRES)		X	weight	CENTER GRAVITY				
	A	B	C	B2	C2	C4	ØE	F	F1	G	H	K	L	N	P	Q	AL	AR	M1	M (H min)	Weight	B3	C3	ES	EC	ET	Symmetric	Canted	(NPT)	(Kg)	XG	ZG	YG	
GP 271 - CARTER CARBON STEEL - FLANGE TYPE ISO F80	GP-271*-942*/C0	5064	3176	1888	2665	1001	306	1215	711.2	150	270	1218	340	878	192	1348	130	510	580	210	400	520	1807	1582	800	387	392	654.55	663.10	1"	5581	-342.4	196.3	252.0
	GP-271*-945*/C0	5064	3176	1888	2665	1001	306	1270	711.2	150	270	1245	340	905	192	1410	135	510	580	210	430	520	1807	1582	800	387	392	715.32	724.66	1"	5890	-265.3	196.3	252.9
	GP-270*-960*/C0	5156	3176	1980	2665	1093	306	1320	711.2	150	270	1270	340	930	192	1460	140	510	580	210	450	600	1807	1674	800	387	392	778.91	789.09	1"	6727	-54.5	196.3	255.0
	GP-271*-962*/C0	5130	3176	1954	2665	1067	306	1355	711.2	150	270	1288	340	948	192	1498	140	510	580	210	470	600	1807	1648	800	387	392	845.13	856.17	1"	6809	-43.9	196.3	255.2
	GP-271*-965*/C0	5164	3176	1988	2665	1101	306	1410	711.2	150	270	1315	340	975	192	1555	140	510	580	210	500	650	1807	1682	800	387	392	914.30	926.25	1"	7413	-76.8	196.3	256.4
	GP-271*-972*/C0	5110	3176	1934	2665	1047	306	1520	711.2	150	270	1370	340	1030	192	1665	145	510	580	210	550	750	1807	1628	800	387	392	1060.37	1074.22	1"	7072	-10.4	196.3	255.8
	GP-271*-975*/C0	5173	3176	1997	2665	1110	306	1600	711.2	150	270	1410	340	1070	192	1730	130	510	580	210	590	850	1807	1691	800	387	392	1137.19	1152.05	1"	8382	198.9	196.3	258.0
	GP-271*-980*/C0	5173	3176	1997	2665	1110	306	1640	711.2	150	270	1430	340	1090	192	1775	135	510	580	210	610	850	1807	1691	800	387	392	1216.98	1232.88	1"	8407	205.3	196.3	258.0
	GP-271*-982*/C0	5173	3176	1997	2665	1110	306	1690	711.2	150	270	1455	340	1115	192	1830	135	510	580	210	640	900	1807	1691	800	387	392	1299.45	1316.43	1"	8672	237.8	196.3	258.4
	GP-271*-987*/C0	5173	3176	1997	2665	1110	306	1750	711.2	150	270	1485	340	1145	192	1885	130	510	580	210	670	950	1807	1691	800	387	392	1384.89	1402.98	1"	9202	293.3	196.3	259.1
	GP-271*-942*/C2	5064	3176	1888	2665	1001	306	1215	711.2	150	270	1218	340	878	192	1348	130	510	580	210	400	520	1807	1582	800	387	392	654.55	663.10	1"	5831	-406.6	196.3	252.7
	GP-271*-945*/C2	5064	3176	1888	2665	1001	306	1270	711.2	150	270	1245	340	905	192	1410	135	510	580	210	430	520	1807	1582	800	387	392	715.32	724.66	1"	6140	-329.5	196.3	253.6
	GP-270*-960*/C2	5156	3176	1980	2665	1093	306	1320	711.2	150	270	1270	340	930	192	1460	140	510	580	210	450	600	1807	1674	800	387	392	778.91	789.09	1"	6977	-118.5	196.3	255.6
	GP-271*-962*/C2	5130	3176	1954	2665	1067	306	1355	711.2	150	270	1288	340	948	192	1498	140	510	580	210	470	600	1807	1648	800	387	392	845.13	856.17	1"	7059	-107.5	196.3	255.7
	GP-271*-965*/C2	5164	3176	1988	2665	1101	306	1410	711.2	150	270	1315	340	975	192	1555	140	510	580	210	500	650	1807	1682	800	387	392	914.30	926.25	1"	7663	-14.3	196.3	256.9
	GP-271*-972*/C2	5110	3176	1934	2665	1047	306	1520	711.2	150	270	1370	340	1030	192	1665	145	510	580	210	550	750	1807	1628	800	387	392	1060.37	1074.22	1"	7322	-72.9	196.3	256.2
	GP-271*-975*/C2	5173	3176	1997	2665	1110	306	1600	711.2	150	270	1410	340	1070	192	1730	130	510	580	210	590	850	1807	1691	800	387	392	1137.19	1152.05	1"	8632	139.9	196.3	258.3
	GP-271*-980*/C2	5173	3176	1997	2665	1110	306	1640	711.2	150	270	1430	340	1090	192	1775	135	510	580	210	610	850	1807	1691	800	387	392	1216.98	1232.88	1"	8657	146.3	196.3	258.4
	GP-271*-982*/C2	5173	3176	1997	2665	1110	306	1690	711.2	150	270	1455	340	1115	192	1830	135	510	580	210	640	900	1807	1691	800	387	392	1299.45	1316.43	1"	8922	179.6	196.3	258.7
	GP-271*-987*/C2	5173	3176	1997	2665	1110	306	1750	711.2	150	270	1485	340	1145	192	1885	130	510	580	210	670	950	1807	1691	800	387	392	1384.89	1402.98	1"	9452	236.9	196.3	259.3
GP-271*-942*/C3	5064	3176	1888	2665	1001	306	1215	711.2	150	270	1218	340	878	192	1348	130	510	580	210	400	520	1807	1582	800	387	392	654.55	663.10	1"	5852	-411.8	196.3	252.8	
GP-271*-945*/C3	5064	3176	1888	2665	1001	306	1270	711.2	150	270	1245	340	905	192	1410	135	510	580	210	430	520	1807	1582	800	387	392	715.32	724.66	1"	6161	-334.6	196.3	253.7	
GP-270*-960*/C3	5156	3176	1980	2665	1093	306	1320	711.2	150	270	1270	340	930	192	1460	140	510	580	210	450	600	1807	1674	800	387	392	778.91	789.09	1"	6998	-123.6	196.3	255.6	
GP-271*-962*/C3	5130	3176	1954	2665	1067	306	1355	711.2	150	270	1288	340	948	192	1498	140	510	580	210	470	600	1807	1648	800	387	392	845.13	856.17	1"	7080	-112.6	196.3	255.8	
GP-271*-965*/C3	5164	3176	1988	2665	1101	306	1410	711.2	150	270	1315	340	975	192	1555	140	510	580	210	500	650	1807	1682	800	387	392	914.30	926.25	1"	7684	9.2	196.3	256.9	
GP-271*-972*/C3	5110	3176	1934	2665	1047	306	1520	711.2	150	270	1370	340	1030	192	1665	145	510	580	210	550	750	1807	1628	800	387	392	1060.37	1074.22	1"	7343	-77.9	196.3	256.3	
GP-271*-975*/C3	5173	3176	1997	2665	1110	306	1600	711.2	150	270	1410	340	1070	192	1730	130	510	580	210	590	850	1807	1691	800	387	392	1137.19	1152.05	1"	8653	135.1	196.3	258.4	
GP-271*-980*/C3	5173	3176	1997	2665	1110	306	1640	711.2	150	270	1430	340	1090	192	1775	135	510	580	210	610	850	1807	1691	800	387	392	1216.98	1232.88	1"	8678	141.5	196.3	258.4	
GP-271*-982*/C3	5173	3176	1997	2665	1110	306	1690	711.2	150	270	1455	340	1115	192	1830	135	510	580	210	640	900	1807	1691	800	387	392	1299.45	1316.43	1"	8943	174.9	196.3	258.7	
GP-271*-987*/C3	5173	3176	1997	2665	1110	306	1750	711.2	150	270	1485	340	1145	192	1885	130	510	580	210	670	950	1807	1691	800	387	392	1384.89	1402.98	1"	9473	232.3	196.3	259.4	
GP-271*-942*/C4	5124	3236	1888	2725	1001	306	1215	711.2	150	270	1218	340	878	192	1348	130	510	580	210	400	520	1837	1582	800	387	392	654.55	663.10	1"	5516	-337.8	196.3	251.7	
GP-271*-945*/C4	5124	3236	1888	2725	1001	306	1270	711.2	150	270	1245	340	905	192	1410	135	510	580	210	430	520	1837	1582	800	387	392	715.32	724.66	1"	5825	-260.1	196.3	252.7	
GP-270*-960*/C4	5216	3236	1980	2725	1093	306	1320	711.2	150	270	1270	340	930	192	1460	140	510	580	210	450	600	1837	1674	800	387	392	778.91	789.09	1"	6662	-47.9	196.3	254.9	
GP-271*-962*/C4	5190	3236	1954	2725	1067	306	1355	711.2	150	270	1288	340	948	192	1498	140	510	580	210	470	600	1837	1648	800	387	392	845.13	856.17	1"	6744	-37.3	196.3	255.1	
GP-271*-965*/C4	5224	3236	1988	2725	1101	306	1410	711.2	150	270	1315	340	975	192	1555	140	510	580	210	500	650	1837	1682	800	387	392	914.30	926.25	1"	7348	84.0	196.3	256.3	
GP-271*-972*/C4	5170	3236	1934	2725	1047	306	1520	711.2	150	270	1370	340	1030	192	1665	145	510	580	210	550	750	1837	1628	800	387	392	1060.37	1074.22	1"	7007	-3.7	196.3	255.6	
GP-271*-975*/C4	5233	3236	1997	2725	1110	306	1600	711.2	150	270	1410	340	1070	192	1730	130	510	580	210	590	850	1837	1691	800	387	392	1137.19	1152.05	1"	8317	206.2	196.3	257.9	
GP-271*-980*/C4	5233	3236	1997	2725	1110	306	1640	711.2	150	270	1430	340	1090	192	1775	135	510	580	210	610	850	1837	1691	800	387	392	1216.98	1232.88	1"	8342	212.6	196.3	257.9	
GP-271*-982*/C4	5233	3236	1997	2725	1110	306	1																											



- Ⓢ LIFTING POINT ACTUATOR ONLY
- D ACCORDING TO VALVE FLANGE
- X PNEUMATIC CONNECTION
- NOTE 3 CONTROL PANEL INTERFACE ACCORDING TO : DWG. GD00198-040
- NOTE 2 COUPLING ACTUATOR INTERFACE ACCORDING TO : DWG. GD00198-030
- NOTE 1 MICROSWITCHES GROUP INTERFACE ACCORDING TO : DWG. GD00220

All dimensions are in mm



DOUBLE ACTING PNEUMATIC ACTUATOR
OVERALL DIMENSIONS

02	16.04.08	BERNINI	BARSOITTI
01	08.06.05	BERNINI	BARSOITTI
00	03.02.00	FERDENZI	PISARONI
rev.	date	drawn	check
OGPD000ADC			

REPORTED ARE MAXIMUM DIMENSIONS - IT WILL BE CARE OF R.F.S. TO INFORM YOU IN CASE OF ANY DIMENSIONAL INCREASE

**GP RANGE METRIC DIMENSION DATA
- DOUBLE ACTING - OGP000ADC REV.2**

	ACTUATOR MODEL	ACTUATOR OVERALL DIMENSIONS (mm)												CARTER		SPOOL * (OPTIONAL)		LIFTING POINT	CLEARANCE FOR DISASSEMBLY			DISPLACEMENT (LITRES)		X	weight	CENTER GRAVITY				
		A	B	C	B2	C2	ØE	G	H	K	L	N	P	Q	AL	AR	M1	M (H min)	Weight	C3	ES	EC	ET	Simmetric	Canted	(NPT)	(Kg)	XG	ZG	YG
GP 065 - CARTER CARBON STEEL - FLANGE TYPE ISO F25	GP-065-180*/D1	996	337	659	171	353	240	65	330	145	185	70	320	80	165	190	80	40	14	544	160	127	140	4.20	4.27	1/4"	102	143.0	73.0	47.2
	GP-065-235*/D1	1001	337	664	171	358	310	65	365	145	220	70	395	80	165	190	80	80	14	549	160	127	140	7.15	7.28	1/2"	133	200.2	73.0	51.4
	GP-065-280*/D1	1011	337	674	171	368	355	65	388	145	243	70	438	80	165	190	80	100	18	559	160	127	140	10.16	10.34	1/2"	159	234.4	73.0	53.6
	GP-065-335*/D1	1021	337	684	171	378	415	65	418	145	273	70	488	70	165	190	80	130	18	569	160	127	140	14.52	14.78	1/2"	204	279.0	73.0	56.1
	GP-065-385*/D1	1034	337	697	171	381	465	65	443	145	298	70	553	80	165	190	80	160	25	572	160	127	140	19.21	19.56	1"	241	301.9	73.0	57.5
	GP-065-435*/D1	1039	337	702	171	386	515	65	468	145	323	70	598	80	165	190	80	180	25	577	160	127	140	24.50	24.95	1"	287	322.0	73.0	58.7
GP-065-485*/D1	1044	337	707	171	391	570	65	495	145	350	70	655	80	165	190	80	210	32	582	160	127	140	30.47	31.02	1"	342	339.2	73.0	59.7	
GP 085 - CARTER CAST IRON - FLANGE TYPE ISO F25	GP-085-180*/D1	1056	367	689	171	353	240	85	335	130	205	70	320	80	195	220	80	40	14	574	160	147	140	5.47	5.60	1/4"	127	119.9	74.0	63.1
	GP-085-235*/D1	1061	367	694	171	358	310	85	370	130	240	70	395	80	195	220	80	80	14	579	160	147	140	9.32	9.54	1/2"	158	176.6	74.0	67.3
	GP-085-280*/D1	1071	367	704	171	368	355	85	393	130	263	70	438	80	195	220	80	100	18	589	160	147	140	13.23	13.54	1/2"	184	212.8	74.0	69.7
	GP-085-335*/D1	1081	367	714	171	378	415	85	423	130	293	70	488	70	195	220	80	130	18	599	160	147	140	18.92	19.36	1/2"	229	261.5	74.0	72.6
	GP-085-385*/D1	1094	367	727	171	381	465	85	448	130	318	70	553	80	195	220	80	160	25	602	160	147	140	25.03	25.61	1"	266	288.3	74.0	74.3
	GP-085-435*/D1	1099	367	732	171	386	515	85	473	130	343	70	598	80	195	220	80	180	25	607	160	147	140	31.93	32.67	1"	312	312.9	74.0	75.9
GP-085-485*/D1	1104	367	737	171	391	570	85	500	130	370	70	655	80	195	220	80	210	32	612	160	147	140	39.70	40.62	1"	367	334.5	74.0	77.2	
GP-085-535*/D1	1109	367	742	171	396	620	85	525	130	395	70	700	80	195	220	80	230	40	617	160	147	140	48.76	49.50	3/4"	416	351.3	74.0	78.1	
GP 100 - CARTER CARBON STEEL - FLANGE TYPE ISO F25	GP-100-335*/D1	1375	434	941	208	515	415	100	468	160	308	84	491	70	225	255	93	120	48	771	220	170	167	22.26	22.79	1/2"	259	316.4	86.7	86.5
	GP-100-385*/D1	1375	434	941	208	515	465	100	493	160	333	84	546	80	225	255	93	140	60	771	220	170	167	29.45	30.15	1"	299	356.2	86.7	88.3
	GP-100-435*/D1	1380	434	946	208	520	515	100	518	160	358	84	641	120	225	255	93	170	60	776	220	170	167	37.57	38.46	1"	338	376.1	86.7	89.7
	GP-100-485*/D1	1385	434	951	208	525	570	100	548	160	385	84	693	115	225	255	93	200	69	781	220	170	167	46.72	47.82	1"	401	410.9	86.7	91.3
	GP-100-535*/D1	1412	434	978	208	525	620	100	570	160	410	84	703	80	225	255	93	220	69	781	220	170	167	56.84	58.19	1"	440	420.4	86.7	92.1
	GP-100-585*/D1	1412	434	978	208	525	680	100	600	160	440	84	763	80	225	255	93	250	80	781	220	170	167	67.97	69.58	1"	515	445.6	86.7	93.2
GP-100-635*/D1	1427	434	993	208	540	730	100	625	160	465	84	848	110	225	255	93	280	80	796	220	170	167	80.07	81.97	1"	633	476.7	86.7	94.5	
GP 130 - CARTER CARBON STEEL - FLANGE TYPE ISO F25	GP-130-335*/D1	1460	474	986	208	515	415	130	548	210	338	84	490	70	265	300	102	110	48	816	220	200	176	28.95	29.57	1/2"	301	296.3	91.3	100.4
	GP-130-385*/D1	1460	474	986	208	515	465	130	573	210	363	84	545	80	265	300	102	130	60	816	220	200	176	38.30	39.11	1"	341	338.8	91.3	103.9
	GP-130-435*/D1	1465	474	991	208	520	515	130	598	210	388	84	640	120	265	300	102	160	60	821	220	200	176	48.86	49.90	1"	380	362.9	91.3	106.6
	GP-130-485*/D1	1470	474	996	208	525	570	130	625	210	415	84	692	115	265	300	102	190	69	826	220	200	176	60.75	62.04	1"	443	402.7	91.3	109.9
	GP-130-535*/D1	1497	474	1023	208	525	620	130	650	210	440	84	702	80	265	300	102	210	69	826	220	200	176	73.92	75.49	1"	482	415.6	91.3	111.5
	GP-130-585*/D1	1497	474	1023	208	525	680	130	680	210	470	84	762	80	265	300	102	240	80	826	220	200	176	88.38	90.26	1"	557	445.6	91.3	114.0
GP-130-635*/D1	1512	474	1038	208	540	730	130	705	210	495	84	847	110	265	300	102	270	80	841	220	200	176	104.13	106.34	1"	675	482.6	91.3	116.8	
GP 130 - CARTER CAST IRON - FLANGE TYPE ISO F30	GP-130-335*/D1	1472	480	992	208	515	415	130	499	161.5	338	99	491	70	271	306	113	100	48	822	220	204	202	28.95	29.57	1/2"	341	265.4	106.0	114.0
	GP-130-385*/D1	1472	480	992	208	515	465	130	524	161.5	363	99	546	80	271	306	113	120	60	822	220	204	202	38.30	39.11	1"	381	307.3	106.0	115.7
	GP-130-435*/D1	1477	480	997	208	520	515	130	549	161.5	388	99	641	120	271	306	113	150	60	827	220	204	202	48.86	49.90	1"	420	332.5	106.0	117.0
	GP-130-485*/D1	1482	480	1002	208	525	570	130	577	161.5	415	99	693	115	271	306	113	180	69	832	220	204	202	60.75	62.04	1"	483	373.8	106.0	118.7
	GP-130-535*/D1	1509	480	1029	208	525	620	130	602	161.5	440	99	703	80	271	306	113	200	69	832	220	204	202	73.92	75.49	1"	522	388.3	106.0	119.5
	GP-130-585*/D1	1509	480	1029	208	525	680	130	632	161.5	470	99	763	80	271	306	113	230	80	832	220	204	202	88.38	90.26	1"	597	420.5	106.0	120.9
GP-130-635*/D1	1524	480	1044	208	540	730	130	657	161.5	495	99	848	110	271	306	113	260	80	847	220	204	202	104.13	106.34	1"	715	460.6	106.0	122.4	
GP-130-685*/D1	1537	480	1057	208	565	780	130	682	161.5	520	99	878	95	271	306	113	280	85	872	220	204	202	121.18	123.76	1"	798	488.9	106.0	123.2	
GP-130-735*/D1	1553	480	1073	208	581	840	130	712	161.5	550	99	938	95	271	306	113	310	85	888	220	204	202	139.50	142.46	1"	955	522.7	106.0	124.3	
GP 160 - CARTER CARBON STEEL - FLANGE TYPE ISO F35	GP-160-385*/D1	1672	524	1148	183	597	465	160	633	240	393	105	550	80	340	380	127	110	60	978	220	253	222	47.49	48.19	1"	457	336.9	113.9	128.9
	GP-160-435*/D1	1672	524	1148	183	597	515	160	658	240	418	105	630	115	340	380	127	130	60	978	220	253	222	60.59	61.48	1"	503	372.7	113.9	131.8
	GP-160-485*/D1	1672	524	1148	183	597	570	160	685	240	445	105	652	80	340	380	127	160	75	978	220	253	222	75.34	76.45	1"	546	391.2	113.9	134.0
	GP-160-535*/D1	1677	524	1153	183	602	620	160	710	240	470	105	737	110	340	380	127	190	87	983	220	253	222	91.67	93.02	1"	610	436.9	113.9	136.7
	GP-160-585*/D1	1692	524	1168	183	602	680	160	740	240	500	105	787	100	340	380	127	220	87	983	220	253	222	109.61	111.22	1"	688	469.9	113.9	139.4
	GP-160-635*/D1	1702	524	1178	183	612	730	160	765	240	525	105	842	110	340	380	127	240	98	993	220	253	222	129.13	131.03	1"	789	510.4	113.9	142.0
	GP-160-685*/D1	1702	524	1178	183	612	780	160	790	240	550	105	897	110	340	380</														

ACTUATOR MODEL	ACTUATOR OVERALL DIMENSIONS (mm)													CARTER		SPOOL * (OPTIONAL)			LIFTING POINT	CLEARANCE FOR DISASSEMBLY			DISPLACEMENT (LITRES)		X	weight	CENTER GRAVITY			
	A	B	C	B2	C2	ØE	G	H	K	L	N	P	Q	AL	AR	M1	M (H min)	Weight	C3	ES	EC	ET	Simmetric	Canted	(NPT)	(Kg)	XG	ZG	YG	
"NEW" GP 161 - CARTER CAST IRON - FLANGE TYPE ISO F35	GP-161*-435*/D1	1685	531	1155	183	597	515	160	658	240	418	140.5	631	115	347.5	387.5	158	100	60	985	220	258	289	60.59	61.48	1"	579	328.6	136.3	127.0
	GP-161*-485*/D1	1685	531	1155	183	597	570	160	685	240	445	140.5	653	80	347.5	387.5	158	130	75	985	220	258	289	75.34	76.45	1"	622	348.4	136.3	129.3
	GP-161*-535*/D1	1690	531	1160	183	602	620	160	710	240	470	140.5	738	110	347.5	387.5	158	160	87	990	220	258	289	91.67	93.02	1"	686	393.7	136.3	132.2
	GP-161*-585*/D1	1705	531	1175	183	602	680	160	740	240	500	140.5	788	100	347.5	387.5	158	190	87	990	220	258	289	109.61	111.22	1"	764	428.6	136.3	135.0
	GP-161*-635*/D1	1715	531	1185	183	612	730	160	765	240	525	140.5	843	110	347.5	387.5	158	210	98	1000	220	258	289	129.13	131.03	1"	865	471.2	136.3	137.9
	GP-161*-685*/D1	1715	531	1185	183	612	780	160	790	240	550	140.5	898	110	347.5	387.5	158	240	105	1000	220	258	289	150.28	152.49	1"	947	495.3	136.3	139.8
	GP-161*-735*/D1	1747	531	1217	183	627	840	160	820	240	580	140.5	943	95	347.5	387.5	158	270	105	1015	220	258	289	172.99	175.54	1"	1097	537.8	136.3	142.6
GP-161*-785*/D1	1751	531	1221	183	631	890	160	845	240	605	140.5	988	95	347.5	387.5	158	290	115	1019	220	258	289	197.39	200.29	1"	1207	563.2	136.3	144.2	
GP-161*-835*/D1	1894	531	1364	183	686	940	160	870	240	630	140.5	1088	140	347.5	387.5	158	320	115	1074	220	258	289	223.34	226.62	1"	1416	620.0	136.3	146.5	
GP 200 - CARTER CARBON STEEL - FLANGE TYPE ISO F40	GP-200*-485*/D1	2092	675	1417	249	741	570	200	765	280	485	128	658	80	425	475	153	140	125	1217	280	317	271	93.43	95.46	1"	824	393.6	137.9	157.7
	GP-200*-535*/D1	2097	675	1422	249	746	620	200	790	280	510	128	693	70	425	475	153	160	125	1222	280	317	271	113.69	116.16	1"	902	439.1	137.9	161.4
	GP-200*-585*/D1	2097	675	1422	249	746	680	200	820	280	540	128	733	100	425	475	153	190	145	1222	280	317	271	135.93	138.89	1"	994	484.6	137.9	165.0
	GP-200*-635*/D1	2097	675	1422	249	746	730	200	845	280	565	128	783	110	425	475	153	220	145	1222	280	317	271	160.15	163.63	1"	1065	513.9	137.9	167.3
	GP-200*-685*/D1	2097	675	1422	249	746	780	200	870	280	590	128	833	110	425	475	153	240	162	1222	280	317	271	186.38	190.43	1"	1154	544.3	137.9	169.8
	GP-200*-735*/D1	2114	675	1439	249	756	840	200	900	280	620	128	883	95	425	475	153	270	162	1232	280	317	271	214.54	219.21	1"	1289	587.2	137.9	173.0
	GP-200*-785*/D1	2120	675	1445	249	762	890	200	925	280	645	128	933	95	425	475	153	300	175	1238	280	317	271	244.80	250.12	1"	1390	620.5	137.9	174.9
	GP-200*-835*/D1	2212	675	1537	249	771	940	200	950	280	670	128	983	140	425	475	153	320	190	1247	280	317	271	276.98	283.01	1"	1595	664.4	137.9	178.2
	GP-200*-885*/D1	2212	675	1537	249	771	990	200	975	280	695	128	1033	140	425	475	153	350	190	1247	280	317	271	311.10	317.87	1"	1690	681.1	137.9	179.4
	GP-200*-935*/D1	2217	675	1542	249	776	1040	200	1000	280	720	128	1083	135	425	475	153	370	210	1252	280	317	271	347.27	354.82	1"	1820	705.6	137.9	180.9
GP-200*-937*/D1	2217	675	1542	249	776	1090	200	1025	280	745	128	1133	135	425	475	153	400	240	1252	280	317	271	385.57	393.95	1"	1695	700.9	137.9	179.5	
GP-200*-940*/D1	2253	675	1578	249	812	1160	200	1060	280	780	128	1183	120	425	475	153	430	240	1288	280	317	271	437.94	447.46	1"	2410	779.0	137.9	185.5	
GP-200*-965*/D1	2400	675	1725	249	959	1410	200	1185	280	905	128	1553	135	425	475	153	560	310	1435	280	317	271	671.46	686.06	1"	3705	959.4	137.9	190.6	
GP 201 - CARTER CARBON STEEL - FLANGE TYPE ISO F40	GP-201*-485*/D1	2092	675	1417	249	741	570	200	765	280	485	149	658	80	425	475	163	130	125	1217	280	317	302	94.73	96.02	1"	994	328.7	147.8	159.3
	GP-201*-535*/D1	2097	675	1422	249	746	620	200	790	280	510	149	693	70	425	475	163	150	125	1222	280	317	302	115.26	116.83	1"	1072	371.8	147.8	162.2
	GP-201*-585*/D1	2097	675	1422	249	746	680	200	820	280	540	149	733	100	425	475	163	180	145	1222	280	317	302	137.81	139.69	1"	1164	415.9	147.8	165.2
	GP-201*-635*/D1	2097	675	1422	249	746	730	200	845	280	565	149	783	110	425	475	163	210	145	1222	280	317	302	162.36	164.58	1"	1235	445.1	147.8	167.2
	GP-201*-685*/D1	2097	675	1422	249	746	780	200	870	280	590	149	833	110	425	475	163	230	162	1222	280	317	302	188.96	191.54	1"	1324	476.3	147.8	169.4
	GP-201*-735*/D1	2114	675	1439	249	756	840	200	900	280	620	149	883	95	425	475	163	260	162	1232	280	317	302	217.51	220.48	1"	1459	520.5	147.8	172.2
	GP-201*-785*/D1	2120	675	1445	249	762	890	200	925	280	645	149	933	95	425	475	163	290	175	1238	280	317	302	248.19	251.68	1"	1560	554.4	147.8	174.0
	GP-201*-835*/D1	2212	675	1537	249	771	940	200	950	280	670	149	983	140	425	475	163	310	190	1247	280	317	302	280.82	284.65	1"	1765	601.8	147.8	177.1
	GP-201*-885*/D1	2212	675	1537	249	771	990	200	975	280	695	149	1033	140	425	475	163	340	190	1247	280	317	302	315.41	319.71	1"	1860	620.1	147.8	178.2
	GP-201*-935*/D1	2217	675	1542	249	776	1040	200	1000	280	720	149	1083	135	425	475	163	360	210	1252	280	317	302	352.07	356.88	1"	1990	646.5	147.8	179.6
GP-201*-937*/D1	2217	675	1542	249	776	1090	200	1025	280	745	149	1133	135	425	475	163	390	240	1252	280	317	302	390.91	396.24	1"	1865	638.3	147.8	178.3	
GP-201*-940*/D1	2253	675	1578	249	812	1160	200	1060	280	780	149	1183	120	425	475	163	420	240	1288	280	317	302	444.00	450.06	1"	2580	728.6	147.8	184.3	
GP-201*-965*/D1	2400	675	1725	249	959	1410	200	1185	280	905	149	1553	135	425	475	163	550	310	1435	280	317	302	680.75	690.04	1"	3875	917.9	147.8	189.5	
GP 270 - CARTER CARBON STEEL - FLANGE TYPE ISO F48	GP-270*-735*/D1	2588	803	1785	292	947	840	270	1000	310	690	164	935	95	510	580	180	240	175	1528	310	387	334	292.14	295.95	1"	1842	562.1	168.9	227.4
	GP-270*-785*/D1	2588	803	1785	292	947	890	270	1025	310	715	164	990	95	510	580	180	270	175	1528	310	387	334	333.06	337.41	1"	1905	587.7	168.9	228.8
	GP-270*-835*/D1	2668	803	1865	292	979	940	270	1050	310	740	164	1080	140	510	580	180	290	190	1560	310	387	334	377.16	382.09	1"	2100	652.1	168.9	232.6
	GP-270*-935*/D1	2655	803	1852	292	966	1040	270	1100	310	790	164	1175	135	510	580	180	340	210	1547	310	387	334	472.86	479.04	1"	2369	708.8	168.9	236.9
	GP-270*-937*/D1	2655	803	1852	292	966	1090	270	1125	310	815	164	1230	135	510	580	180	370	230	1547	310	387	334	525.02	531.11	1"	2475	730.7	168.9	238.3
	GP-270*-940*/D1	2686	803	1883	292	996	1160	270	1160	310	850	164	1280	120	510	580	180	400	255	1577	310	387	334	596.33	604.12	1"	2813	794.0	168.9	242.1
	GP-270*-942*/D1	2691	803	1888	292	1001	1215	270	1188	310	878	164	1348	130	510	580	180	430	255	1582	310	387	334	654.55	663.10	1"	3104	830.7	168.9	244.7
	GP-270*-945*/D1	2691	803	1888	292	1001	1270	270	1215	310	905	164	1410	135	510	580	180	460	295	1582	310	387	334	715.32	724.66	1"	3413	857.6	168.9	247.0
	GP-270*-960*/D1	2783	803</																											