

- Ⓢ LIFTING POINT ACTUATOR ONLY
- D ACCORDING TO VALVE FLANGE
- X PNEUMATIC CONNECTION
- NOTE 3 CONTROL PANEL INTERFACE ACCORDING TO : DWG. GD00198-040
- NOTE 2 COUPLING ACTUATOR INTERFACE ACCORDING TO : DWG. GD00198-030
- NOTE 1 MICROSWITCHES GROUP INTERFACE ACCORDING TO : DWG. GD00220

All dimensions are in mm



SINGLE ACTING PNEUMATIC ACTUATOR
FAIL TO OPEN c/w M
OVERALL DIMENSIONS

02	16.04.08	BERNINI	BARSOZZI
01	27.10.05	BERNINI	BARSOZZI
00	15.12.00	FERDENZI	PISARONI
rev.	date	drawn	check

OGPAE00ADC

REPORTED ARE MAXIMUM DIMENSIONS - IT WILL BE CARE OF R.F.S. TO INFORM YOU IN CASE OF ANY DIMENSIONAL INCREASE

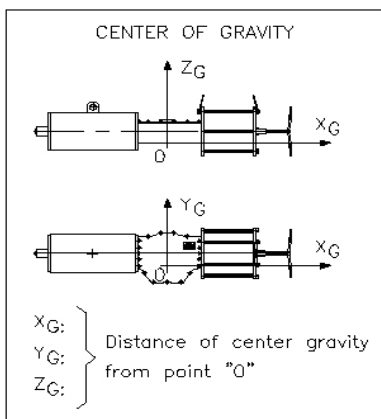
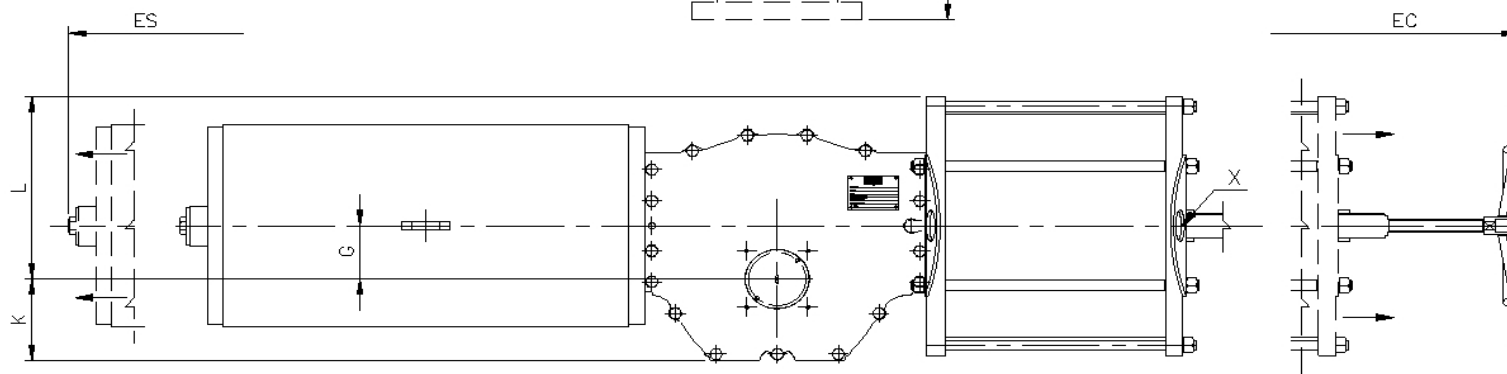
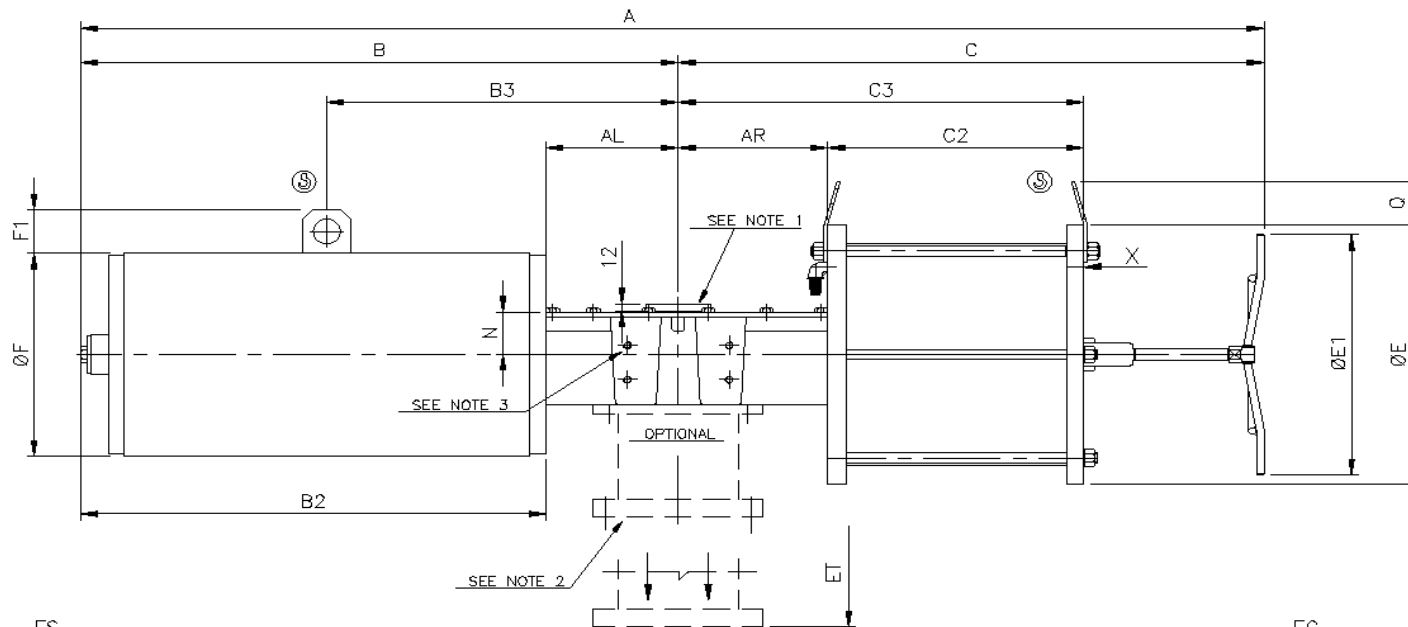
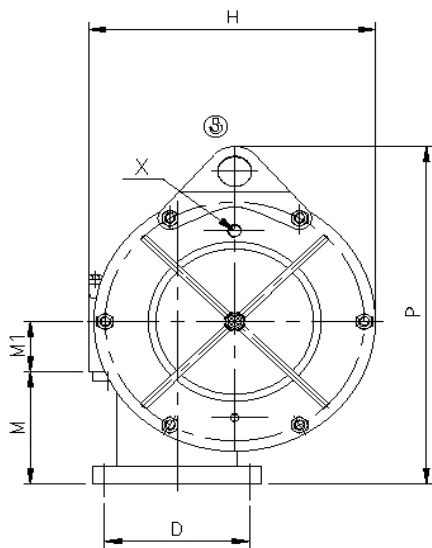
GP RANGE METRIC DIMENSION DATA
- SPRING RETURN FAIL OPEN + MANUAL OVERRIDE M- OGPAE00ADC REV.2

ACTUATOR MODEL	ACTUATOR OVERALL DIMENSIONS (mm)																CARTER		SPOOL * (OPTIONAL)			LIFTING POINT		CLEARANCE FOR DISASSEMBLY			DISPLACEMENT (LITRES)		X	weight	CENTER GRAVITY		
	A	B	C	B2	C2	ØE	ØE1	F	F1	G	H	K	L	N	P	Q	AL	AR	M1	M	Weight	B3	C3	ES	EC	ET	Simmetric	Canted	(NPT)	(Kg)	XG	ZG	YG
GP-065°-180°/O1 M	1808	864	944	672.5	353	240	600	273	70	65	330	145	185	70	530	80	165	190	80	250	40	468	519	260	127	140	4.20	4.27	1/4"	0	-112.7	73.0	54.4
GP-065°-235°/O1 M	1813	864	949	672.5	358	310	600	273	70	65	365	145	220	70	565	80	165	190	80	250	40	468	524	260	127	140	7.15	7.28	1/2"	0	-42.6	73.0	56.0
GP-065°-280°/O1 M	1823	864	959	672.5	368	355	600	273	70	65	388	145	243	70	588	80	165	190	80	250	40	468	534	260	127	140	10.16	10.34	1/2"	0	4.5	73.0	57.0
GP-065°-335°/O1 M	1833	864	969	672.5	378	415	600	273	70	65	418	145	273	70	608	70	165	190	80	250	40	468	544	260	127	140	14.52	14.78	1/2"	0	69.7	73.0	58.4
GP-065°-385°/O1 M	1836	864	972	672.5	381	465	600	273	70	65	443	145	298	70	643	80	165	190	80	250	40	468	547	260	127	140	19.21	19.56	1"	0	108.4	73.0	59.1
GP-065°-435°/O1 M	1841	864	977	672.5	386	515	600	273	70	65	468	145	323	70	668	80	165	190	80	250	40	468	552	260	127	140	24.50	24.95	1"	0	145.5	73.0	59.9
GP-065°-485°/O1 M	1846	864	982	672.5	391	570	600	273	70	65	495	145	350	70	695	80	165	190	80	250	40	468	557	260	127	140	30.47	31.02	1"	0	179.5	73.0	60.6
GP-065°-180°/O2 M	1808	864	944	672.5	353	240	600	273	70	65	330	145	185	70	530	80	165	190	80	250	40	468	519	260	127	140	4.20	4.27	1/4"	0	-132.3	73.0	54.9
GP-065°-235°/O2 M	1813	864	949	672.5	358	310	600	273	70	65	365	145	220	70	565	80	165	190	80	250	40	468	524	260	127	140	7.15	7.28	1/2"	0	-62.3	73.0	56.4
GP-065°-280°/O2 M	1823	864	959	672.5	368	355	600	273	70	65	388	145	243	70	588	80	165	190	80	250	40	468	534	260	127	140	10.16	10.34	1/2"	0	-14.8	73.0	57.3
GP-065°-335°/O2 M	1833	864	969	672.5	378	415	600	273	70	65	418	145	273	70	608	70	165	190	80	250	40	468	544	260	127	140	14.52	14.78	1/2"	0	51.3	73.0	58.6
GP-065°-385°/O2 M	1836	864	972	672.5	381	465	600	273	70	65	443	145	298	70	643	80	165	190	80	250	40	468	547	260	127	140	19.21	19.56	1"	0	91.0	73.0	59.3
GP-065°-435°/O2 M	1841	864	977	672.5	386	515	600	273	70	65	468	145	323	70	668	80	165	190	80	250	40	468	552	260	127	140	24.50	24.95	1"	0	129.4	73.0	60.0
GP-065°-485°/O2 M	1846	864	982	672.5	391	570	600	273	70	65	495	145	350	70	695	80	165	190	80	250	40	468	557	260	127	140	30.47	31.02	1"	0	164.7	73.0	60.7
GP-065°-180°/O3 M	1751	807	944	615.5	353	240	600	323.9	70	65	330	145	185	70	530	80	165	190	80	250	40	487	519	260	127	140	4.20	4.27	1/4"	0	-199.6	73.0	57.1
GP-065°-235°/O3 M	1756	807	949	615.5	358	310	600	323.9	70	65	365	145	220	70	565	80	165	190	80	250	40	487	524	260	127	140	7.15	7.28	1/2"	0	-135.1	73.0	58.1
GP-065°-280°/O3 M	1766	807	959	615.5	368	355	600	323.9	70	65	388	145	243	70	588	80	165	190	80	250	40	487	534	260	127	140	10.16	10.34	1/2"	0	-89.3	73.0	58.7
GP-065°-335°/O3 M	1776	807	969	615.5	378	415	600	323.9	70	65	418	145	273	70	608	70	165	190	80	250	40	487	544	260	127	140	14.52	14.78	1/2"	0	-23.2	73.0	59.5
GP-065°-385°/O3 M	1779	807	972	615.5	381	465	600	323.9	70	65	443	145	298	70	643	80	165	190	80	250	40	487	547	260	127	140	19.21	19.56	1"	0	18.4	73.0	60.1
GP-065°-435°/O3 M	1784	807	977	615.5	386	515	600	323.9	70	65	468	145	323	70	668	80	165	190	80	250	40	487	552	260	127	140	24.50	24.95	1"	0	60.0	73.0	60.6
GP-065°-485°/O3 M	1789	807	982	615.5	391	570	600	323.9	70	65	495	145	350	70	695	80	165	190	80	250	40	487	557	260	127	140	30.47	31.02	1"	0	99.5	73.0	61.1
GP-065°-180°/O4 M	1722	778	944	586.5	353	240	600	323.9	70	65	330	145	185	70	530	80	165	190	80	250	40	473	519	260	127	140	4.20	4.27	1/4"	0	-190.2	73.0	57.1
GP-065°-235°/O4 M	1727	778	949	586.5	358	310	600	323.9	70	65	365	145	220	70	565	80	165	190	80	250	40	473	524	260	127	140	7.15	7.28	1/2"	0	-126.5	73.0	58.0
GP-065°-280°/O4 M	1737	778	959	586.5	368	355	600	323.9	70	65	388	145	243	70	588	80	165	190	80	250	40	473	534	260	127	140	10.16	10.34	1/2"	0	-81.4	73.0	58.7
GP-065°-335°/O4 M	1747	778	969	586.5	378	415	600	323.9	70	65	418	145	273	70	608	70	165	190	80	250	40	473	544	260	127	140	14.52	14.78	1/2"	0	-16.1	73.0	59.5
GP-065°-385°/O4 M	1750	778	972	586.5	381	465	600	323.9	70	65	443	145	298	70	643	80	165	190	80	250	40	473	547	260	127	140	19.21	19.56	1"	0	24.9	73.0	60.1
GP-065°-435°/O4 M	1755	778	977	586.5	386	515	600	323.9	70	65	468	145	323	70	668	80	165	190	80	250	40	473	552	260	127	140	24.50	24.95	1"	0	65.9	73.0	60.6
GP-065°-485°/O4 M	1760	778	982	586.5	391	570	600	323.9	70	65	495	145	350	70	695	80	165	190	80	250	40	473	557	260	127	140	30.47	31.02	1"	0	104.8	73.0	61.1

GP 065
- CARTER CARBON STEEL - FLANGE TYPE ISO F25

GP RANGE METRIC DIMENSION DATA
- SPRING RETURN FAIL OPEN + MANUAL OVERRIDE M- OGPAE00ADC REV.2

ACTUATOR MODEL	ACTUATOR OVERALL DIMENSIONS (mm)																CARTER		SPOOL * (OPTIONAL)			LIFTING POINT		CLEARANCE FOR DISASSEMBLY			DISPLACEMENT (LITRES)		X	weight	CENTER GRAVITY		
	A	B	C	B2	C2	ØE	ØE1	F	F1	G	H	K	L	N	P	Q	AL	AR	M1	M	Weight	B3	C3	ES	EC	ET	Simmetric	Canted	(NPT)	(Kg)	XG	ZG	YG
GP-085-180*O1 M	1868	894	974	673	353	240	600	273	70	85	335	130	205	70	530	80	195	220	80	250	40	498	549	305	147	140	5.47	5.60	1/4"	0	-101.3	74.0	70.6
GP-085-235*O1 M	1873	894	979	673	358	310	600	273	70	85	370	130	240	70	565	80	195	220	80	250	40	498	554	305	147	140	9.32	9.54	1/2"	0	-37.5	74.0	72.5
GP-085-280*O1 M	1883	894	989	673	368	355	600	273	70	85	393	130	263	70	588	80	195	220	80	250	40	498	564	305	147	140	13.23	13.54	1/2"	0	6.8	74.0	73.8
GP-085-335*O1 M	1893	894	999	673	378	415	600	273	70	85	423	130	293	70	608	70	195	220	80	250	40	498	574	305	147	140	18.92	19.36	1/2"	0	69.7	74.0	75.5
GP-085-385*O1 M	1896	894	1002	673	381	465	600	273	70	85	448	130	318	70	643	80	195	220	80	250	40	498	577	305	147	140	25.03	25.61	1"	0	108.2	74.0	76.5
GP-085-435*O1 M	1901	894	1007	673	386	515	600	273	70	85	473	130	343	70	668	80	195	220	80	250	40	498	582	305	147	140	31.93	32.67	1"	0	146.1	74.0	77.5
GP-085-485*O1 M	1906	894	1012	673	391	570	600	273	70	85	500	130	370	70	695	80	195	220	80	250	40	498	587	305	147	140	39.70	40.62	1"	0	181.4	74.0	78.4
GP-085-535*O1 M	1911	894	1017	673	396	620	600	273	70	85	525	130	395	70	720	80	195	220	80	250	40	498	592	305	147	140	48.76	49.50	3/4"	0	208.2	74.0	79.1
GP-085-180*O2 M	1868	894	974	673	353	240	600	273	70	85	335	130	205	70	530	80	195	220	80	250	40	498	549	305	147	140	5.47	5.60	1/4"	0	-119.9	74.0	71.2
GP-085-235*O2 M	1873	894	979	673	358	310	600	273	70	85	370	130	240	70	565	80	195	220	80	250	40	498	554	305	147	140	9.32	9.54	1/2"	0	-56.1	74.0	73.0
GP-085-280*O2 M	1883	894	989	673	368	355	600	273	70	85	393	130	263	70	588	80	195	220	80	250	40	498	564	305	147	140	13.23	13.54	1/2"	0	-11.5	74.0	74.2
GP-085-335*O2 M	1893	894	999	673	378	415	600	273	70	85	423	130	293	70	608	70	195	220	80	250	40	498	574	305	147	140	18.92	19.36	1/2"	0	52.2	74.0	75.7
GP-085-385*O2 M	1896	894	1002	673	381	465	600	273	70	85	448	130	318	70	643	80	195	220	80	250	40	498	577	305	147	140	25.03	25.61	1"	0	91.6	74.0	76.7
GP-085-435*O2 M	1901	894	1007	673	386	515	600	273	70	85	473	130	343	70	668	80	195	220	80	250	40	498	582	305	147	140	31.93	32.67	1"	0	130.5	74.0	77.7
GP-085-485*O2 M	1906	894	1012	673	391	570	600	273	70	85	500	130	370	70	695	80	195	220	80	250	40	498	587	305	147	140	39.70	40.62	1"	0	166.9	74.0	78.6
GP-085-535*O2 M	1911	894	1017	673	396	620	600	273	70	85	525	130	395	70	720	80	195	220	80	250	40	498	592	305	147	140	48.76	49.50	3/4"	0	194.7	74.0	79.2
GP-085-180*O3 M	1881	907	974	686	353	240	600	323.9	70	85	335	130	205	70	530	80	195	220	80	250	40	544	549	305	147	140	5.47	5.60	1/4"	0	-210.5	74.0	74.1
GP-085-235*O3 M	1886	907	979	686	358	310	600	323.9	70	85	370	130	240	70	565	80	195	220	80	250	40	544	554	305	147	140	9.32	9.54	1/2"	0	-149.0	74.0	75.2
GP-085-280*O3 M	1896	907	989	686	368	355	600	323.9	70	85	393	130	263	70	588	80	195	220	80	250	40	544	564	305	147	140	13.23	13.54	1/2"	0	-104.5	74.0	76.0
GP-085-335*O3 M	1906	907	999	686	378	415	600	323.9	70	85	423	130	293	70	608	70	195	220	80	250	40	544	574	305	147	140	18.92	19.36	1/2"	0	-39.0	74.0	77.1
GP-085-385*O3 M	1909	907	1002	686	381	465	600	323.9	70	85	448	130	318	70	643	80	195	220	80	250	40	544	577	305	147	140	25.03	25.61	1"	0	3.3	74.0	77.8
GP-085-435*O3 M	1914	907	1007	686	386	515	600	323.9	70	85	473	130	343	70	668	80	195	220	80	250	40	544	582	305	147	140	31.93	32.67	1"	0	46.4	74.0	78.6
GP-085-485*O3 M	1919	907	1012	686	391	570	600	323.9	70	85	500	130	370	70	695	80	195	220	80	250	40	544	587	305	147	140	39.70	40.62	1"	0	87.9	74.0	79.3
GP-085-535*O3 M	1924	907	1017	686	396	620	600	323.9	70	85	525	130	395	70	720	80	195	220	80	250	40	544	592	305	147	140	48.76	49.50	3/4"	0	119.8	74.0	79.8
GP-085-180*O4 M	1881	907	974	686	353	240	600	323.9	70	85	335	130	205	70	530	80	195	220	80	250	40	530	549	305	147	140	5.47	5.60	1/4"	0	-182.8	74.0	73.2
GP-085-235*O4 M	1886	907	979	686	358	310	600	323.9	70	85	370	130	240	70	565	80	195	220	80	250	40	530	554	305	147	140	9.32	9.54	1/2"	0	-120.0	74.0	74.5
GP-085-280*O4 M	1896	907	989	686	368	355	600	323.9	70	85	393	130	263	70	588	80	195	220	80	250	40	530	564	305	147	140	13.23	13.54	1/2"	0	-75.1	74.0	75.4
GP-085-335*O4 M	1906	907	999	686	378	415	600	323.9	70	85	423	130	293	70	608	70	195	220	80	250	40	530	574	305	147	140	18.92	19.36	1/2"	0	-9.6	74.0	76.7
GP-085-385*O4 M	1909	907	1002	686	381	465	600	323.9	70	85	448	130	318	70	643	80	195	220	80	250	40	530	577	305	147	140	25.03	25.61	1"	0	32.1	74.0	77.5
GP-085-435*O4 M	1914	907	1007	686	386	515	600	323.9	70	85	473	130	343	70	668	80	195	220	80	250	40	530	582	305	147	140	31.93	32.67	1"	0	74.1	74.0	78.3
GP-085-485*O4 M	1919	907	1012	686	391	570	600	323.9	70	85	500	130	370	70	695	80	195	220	80	250	40	530	587	305	147	140	39.70	40.62	1"	0	114.2	74.0	79.0
GP-085-535*O4 M	1924	907	1017	686	396	620	600	323.9	70	85	525	130	395	70	720	80	195	220	80	250	40	530	592	305	147	140	48.76	49.50	3/4"	0	144.9	74.0	79.6
GP-085-180*O5 M	1881	907	974	686	353	240	600	323.9	70	85	335	130	205	70	530	80	195	220	80	250	40	521	549	305	147	140	5.47	5.60	1/4"	0	-222.8	74.0	74.5
GP-085-235*O5 M	1886	907	979	686	358	310	600	323.9	70	85	370	130	240	70	565	80	195	220	80	250	40	521	554	305	147	140	9.32	9.54	1/2"	0	-162.1	74.0	75.6
GP-085-280*O5 M	1896	907	989	686	368	355	600	323.9	70	85	393	130	263	70	588	80	195	220	80	250	40	521	564	305	147	140	13.23	13.54	1/2"	0	-117.9	74.0	76.3
GP-085-335*O5 M	1906	907	999	686	378	415	600	323.9	70	85	423	130	293	70	608	70	195	220	80	250	40	521	574	305	147	140	18.92	19.36	1/2"	0	-52.5	74.0	77.3
GP-085-385*O5 M	1909	907	1002	686	381	465	600	323.9	70	85	448	130	318	70	643	80	195	220	80	250	40	521	577	305	147	140	25.03	25.61	1"	0	-10.0	74.0	78.0
GP-085-435*O5 M	1914	907	1007	686	386	515	600	323.9	70	85	473	130	343	70	668	80	195	220	80	250	40	521	582	305	147	140	31.93	32.67	1"	0	33.4	74.0	78.7
GP-085-485*O5 M	1919	907	1012	686	391	570	600	323.9	70	85	500	130	370	70	695	80	195	220	80	250	40	521	587	305	147	140	39.70	40.62	1"	0	75.5	74.0	79.4
GP-085-535*O5 M	1924	907	1017	686	396	620	600	323.9	70	85	525	130	395	70	720	80	195	220	80	250	40	521	592	305	147	140	48.76	49.50	3/4"	0	107.9	74.0	79.9
GP-085-180*O6 M	1881	907	974	686	353	240	600	323.9	70	85	335	130	205	70	530	80	195	220	80	250	40	521	549	305	147	140	5.47	5.60	1/4"	0	-234.4	74.0	74.9
GP-																																	



- Ⓢ LIFTING POINT ACTUATOR ONLY
- D ACCORDING TO VALVE FLANGE
- X PNEUMATIC CONNECTION
- NOTE 3 CONTROL PANEL INTERFACE ACCORDING TO : DWG. GD00198-040
- NOTE 2 COUPLING ACTUATOR INTERFACE ACCORDING TO : DWG. GD00198-030
- NOTE 1 MICROSWITCHES GROUP INTERFACE ACCORDING TO : DWG. GD00220

All dimensions are in mm



SINGLE ACTING PNEUMATIC ACTUATOR
FAIL TO CLOSE c/w M
OVERALL DIMENSIONS

02	16.04.06	BERNINI	BARSOITI
01	08.06.05	BERNINI	BARSOITI
00	03.02.00	FERDENZI	PISARONI
rev.	date	drawn	check
OGPCE00ADC			

REPORTED ARE MAXIMUM DIMENSIONS - IT WILL BE CAPE OF R.F.S. TO INFORM YOU IN CASE OF ANY DIMENSIONAL INCREASE

ACTUATOR MODEL	ACTUATOR OVERALL DIMENSIONS (mm)																CARTER		SPOOL * (OPTIONAL)			LIFTING POINT		CLEARANCE FOR DISASSEMBLY			DISPLACEMENT (LITRES)		X	weight	CENTER GRAVITY		
	A	B	C	B2	C2	ØE	ØE1	F	F1	G	H	K	L	N	P	Q	AL	AR	M1	M	Weight	B3	C3	ES	EC	ET	Simmetric	Canted	(NPT)	(Kg)	XG	ZG	YG
GP-065°-180°/C1 M	1808	839	969	672.5	353	240	600	273	70	65	330	145	185	70	530	80	165	190	80	250	40	443	544	260	127	140	4.20	4.27	1/4"	0	-91.5	73.0	54.4
GP-065°-235°/C1 M	1813	839	974	672.5	358	310	600	273	70	65	365	145	220	70	565	80	165	190	80	250	40	443	549	260	127	140	7.15	7.28	1/2"	0	-20.9	73.0	56.0
GP-065°-280°/C1 M	1823	839	984	672.5	368	355	600	273	70	65	388	145	243	70	588	80	165	190	80	250	40	443	559	260	127	140	10.16	10.34	1/2"	0	26.7	73.0	57.0
GP-065°-335°/C1 M	1833	839	994	672.5	378	415	600	273	70	65	418	145	273	70	608	70	165	190	80	250	40	443	569	260	127	140	14.52	14.78	1/2"	0	92.3	73.0	58.4
GP-065°-385°/C1 M	1836	839	997	672.5	381	465	600	273	70	65	443	145	298	70	643	80	165	190	80	250	40	443	572	260	127	140	19.21	19.56	1"	0	131.2	73.0	59.1
GP-065°-435°/C1 M	1841	839	1002	672.5	386	515	600	273	70	65	468	145	323	70	668	80	165	190	80	250	40	443	577	260	127	140	24.50	24.95	1"	0	168.7	73.0	59.9
GP-065°-485°/C1 M	1846	839	1007	672.5	391	570	600	273	70	65	495	145	350	70	695	80	165	190	80	250	40	443	582	260	127	140	30.47	31.02	1"	0	202.8	73.0	60.6
GP-065°-180°/C2 M	1808	839	969	672.5	353	240	600	273	70	65	330	145	185	70	530	80	165	190	80	250	40	443	544	260	127	140	4.20	4.27	1/4"	0	-110.9	73.0	54.9
GP-065°-235°/C2 M	1813	839	974	672.5	358	310	600	273	70	65	365	145	220	70	565	80	165	190	80	250	40	443	549	260	127	140	7.15	7.28	1/2"	0	-40.4	73.0	56.4
GP-065°-280°/C2 M	1823	839	984	672.5	368	355	600	273	70	65	388	145	243	70	588	80	165	190	80	250	40	443	559	260	127	140	10.16	10.34	1/2"	0	7.4	73.0	57.3
GP-065°-335°/C2 M	1833	839	994	672.5	378	415	600	273	70	65	418	145	273	70	608	70	165	190	80	250	40	443	569	260	127	140	14.52	14.78	1/2"	0	74.0	73.0	58.6
GP-065°-385°/C2 M	1836	839	997	672.5	381	465	600	273	70	65	443	145	298	70	643	80	165	190	80	250	40	443	572	260	127	140	19.21	19.56	1"	0	113.9	73.0	59.3
GP-065°-435°/C2 M	1841	839	1002	672.5	386	515	600	273	70	65	468	145	323	70	668	80	165	190	80	250	40	443	577	260	127	140	24.50	24.95	1"	0	152.6	73.0	60.0
GP-065°-485°/C2 M	1846	839	1007	672.5	391	570	600	273	70	65	495	145	350	70	695	80	165	190	80	250	40	443	582	260	127	140	30.47	31.02	1"	0	188.1	73.0	60.7
GP-065°-180°/C3 M	1751	782	969	615.5	353	240	600	323.9	70	65	330	145	185	70	530	80	165	190	80	250	40	462	544	260	127	140	4.20	4.27	1/4"	0	-177.4	73.0	57.1
GP-065°-235°/C3 M	1756	782	974	615.5	358	310	600	323.9	70	65	365	145	220	70	565	80	165	190	80	250	40	462	549	260	127	140	7.15	7.28	1/2"	0	-112.6	73.0	58.1
GP-065°-280°/C3 M	1766	782	984	615.5	368	355	600	323.9	70	65	388	145	243	70	588	80	165	190	80	250	40	462	559	260	127	140	10.16	10.34	1/2"	0	-66.6	73.0	58.7
GP-065°-335°/C3 M	1776	782	994	615.5	378	415	600	323.9	70	65	418	145	273	70	608	70	165	190	80	250	40	462	569	260	127	140	14.52	14.78	1/2"	0	-0.2	73.0	59.5
GP-065°-385°/C3 M	1779	782	997	615.5	381	465	600	323.9	70	65	443	145	298	70	643	80	165	190	80	250	40	462	572	260	127	140	19.21	19.56	1"	0	41.6	73.0	60.1
GP-065°-435°/C3 M	1784	782	1002	615.5	386	515	600	323.9	70	65	468	145	323	70	668	80	165	190	80	250	40	462	577	260	127	140	24.50	24.95	1"	0	83.4	73.0	60.6
GP-065°-485°/C3 M	1789	782	1007	615.5	391	570	600	323.9	70	65	495	145	350	70	695	80	165	190	80	250	40	462	582	260	127	140	30.47	31.02	1"	0	123.1	73.0	61.1
GP-065°-180°/C4 M	1722	753	969	586.5	353	240	600	323.9	70	65	330	145	185	70	530	80	165	190	80	250	40	448	544	260	127	140	4.20	4.27	1/4"	0	-168.1	73.0	57.1
GP-065°-235°/C4 M	1727	753	974	586.5	358	310	600	323.9	70	65	365	145	220	70	565	80	165	190	80	250	40	448	549	260	127	140	7.15	7.28	1/2"	0	-104.0	73.0	58.0
GP-065°-280°/C4 M	1737	753	984	586.5	368	355	600	323.9	70	65	388	145	243	70	588	80	165	190	80	250	40	448	559	260	127	140	10.16	10.34	1/2"	0	-58.7	73.0	58.7
GP-065°-335°/C4 M	1747	753	994	586.5	378	415	600	323.9	70	65	418	145	273	70	608	70	165	190	80	250	40	448	569	260	127	140	14.52	14.78	1/2"	0	6.9	73.0	59.5
GP-065°-385°/C4 M	1750	753	997	586.5	381	465	600	323.9	70	65	443	145	298	70	643	80	165	190	80	250	40	448	572	260	127	140	19.21	19.56	1"	0	48.1	73.0	60.1
GP-065°-435°/C4 M	1755	753	1002	586.5	386	515	600	323.9	70	65	468	145	323	70	668	80	165	190	80	250	40	448	577	260	127	140	24.50	24.95	1"	0	89.3	73.0	60.6
GP-065°-485°/C4 M	1760	753	1007	586.5	391	570	600	323.9	70	65	495	145	350	70	695	80	165	190	80	250	40	448	582	260	127	140	30.47	31.02	1"	0	128.4	73.0	61.1

GP 065
- CARTER CARBON STEEL - FLANGE TYPE ISO F25

ACTUATOR MODEL	ACTUATOR OVERALL DIMENSIONS (mm)																CARTER		SPOOL * (OPTIONAL)			LIFTING POINT		CLEARANCE FOR DISASSEMBLY			DISPLACEMENT (LITRES)		X	weight	CENTER GRAVITY		
	A	B	C	B2	C2	ØE	ØE1	F	F1	G	H	K	L	N	P	Q	AL	AR	M1	M	Weight	B3	C3	ES	EC	ET	Simmetric	Canted	(NPT)	(Kg)	XG	ZG	YG
GP-085°-180°/C1 M	1868	869	999	673	353	240	600	273	70	85	335	130	205	70	530	80	195	220	80	250	40	473	574	305	147	140	5.47	5.60	1/4"	0	-81.3	74.0	70.6
GP-085°-235°/C1 M	1873	869	1004	673	358	310	600	273	70	85	370	130	240	70	565	80	195	220	80	250	40	473	579	305	147	140	9.32	9.54	1/2"	0	-16.9	74.0	72.5
GP-085°-280°/C1 M	1883	869	1014	673	368	355	600	273	70	85	393	130	263	70	588	80	195	220	80	250	40	473	589	305	147	140	13.23	13.54	1/2"	0	27.8	74.0	73.8
GP-085°-335°/C1 M	1893	869	1024	673	378	415	600	273	70	85	423	130	293	70	608	70	195	220	80	250	40	473	599	305	147	140	18.92	19.36	1/2"	0	91.3	74.0	75.5
GP-085°-385°/C1 M	1896	869	1027	673	381	465	600	273	70	85	448	130	318	70	643	80	195	220	80	250	40	473	602	305	147	140	25.03	25.61	1"	0	130.2	74.0	76.5
GP-085°-435°/C1 M	1901	869	1032	673	386	515	600	273	70	85	473	130	343	70	668	80	195	220	80	250	40	473	607	305	147	140	31.93	32.67	1"	0	168.4	74.0	77.5
GP-085°-485°/C1 M	1906	869	1037	673	391	570	600	273	70	85	500	130	370	70	695	80	195	220	80	250	40	473	612	305	147	140	39.70	40.62	1"	0	204.0	74.0	78.4
GP-085°-535°/C1 M	1911	869	1042	673	396	620	600	273	70	85	525	130	395	70	720	80	195	220	80	250	40	473	617	305	147	140	48.76	49.50	3/4"	0	231.1	74.0	79.1
GP-085°-180°/C2 M	1868	869	999	673	353	240	600	273	70	85	335	130	205	70	530	80	195	220	80	250	40	473	574	305	147	140	5.47	5.60	1/4"	0	-99.7	74.0	71.2
GP-085°-235°/C2 M	1873	869	1004	673	358	310	600	273	70	85	370	130	240	70	565	80	195	220	80	250	40	473	579	305	147	140	9.32	9.54	1/2"	0	-35.3	74.0	73.0
GP-085°-280°/C2 M	1883	869	1014	673	368	355	600	273	70	85	393	130	263	70	588	80	195	220	80	250	40	473	589	305	147	140	13.23	13.54	1/2"	0	9.7	74.0	74.2
GP-085°-335°/C2 M	1893	869	1024	673	378	415	600	273	70	85	423	130	293	70	608	70	195	220	80	250	40	473	599	305	147	140	18.92	19.36	1/2"	0	73.9	74.0	75.7
GP-085°-385°/C2 M	1896	869	1027	673	381	465	600	273	70	85	448	130	318	70	643	80	195	220	80	250	40	473	602	305	147	140	25.03	25.61	1"	0	113.6	74.0	76.7
GP-085°-435°/C2 M	1901	869	1032	673	386	515	600	273	70	85	473	130	343	70	668	80	195	220	80	250	40	473	607	305	147	140	31.93	32.67	1"	0	152.9	74.0	77.7
GP-085°-485°/C2 M	1906	869	1037	673	391	570	600	273	70	85	500	130	370	70	695	80	195	220	80	250	40	473	612	305	147	140	39.70	40.62	1"	0	189.6	74.0	78.6
GP-085°-535°/C2 M	1911	869	1042	673	396	620	600	273	70	85	525	130	395	70	720	80	195	220	80	250	40	473	617	305	147	140	48.76	49.50	3/4"	0	217.6	74.0	79.2
GP-085°-180°/C3 M	1881	882	999	686	353	240	600	323.9	70	85	335	130	205	70	530	80	195	220	80	250	40	519	574	305	147	140	5.47	5.60	1/4"	0	-189.3	74.0	74.1
GP-085°-235°/C3 M	1886	882	1004	686	358	310	600	323.9	70	85	370	130	240	70	565	80	195	220	80	250	40	519	579	305	147	140	9.32	9.54	1/2"	0	-127.5	74.0	75.2
GP-085°-280°/C3 M	1896	882	1014	686	368	355	600	323.9	70	85	393	130	263	70	588	80	195	220	80	250	40	519	589	305	147	140	13.23	13.54	1/2"	0	-82.7	74.0	76.0
GP-085°-335°/C3 M	1906	882	1024	686	378	415	600	323.9	70	85	423	130	293	70	608	70	195	220	80	250	40	519	599	305	147	140	18.92	19.36	1/2"	0	-16.8	74.0	77.1
GP-085°-385°/C3 M	1909	882	1027	686	381	465	600	323.9	70	85	448	130	318	70	643	80	195	220	80	250	40	519	602	305	147	140	25.03	25.61	1"	0	25.8	74.0	77.8
GP-085°-435°/C3 M	1914	882	1032	686	386	515	600	323.9	70	85	473	130	343	70	668	80	195	220	80	250	40	519	607	305	147	140	31.93	32.67	1"	0	69.1	74.0	78.6
GP-085°-485°/C3 M	1919	882	1037	686	391	570	600	323.9	70	85	500	130	370	70	695	80	195	220	80	250	40	519	612	305	147	140	39.70	40.62	1"	0	110.9	74.0	79.3
GP-085°-535°/C3 M	1924	882	1042	686	396	620	600	323.9	70	85	525	130	395	70	720	80	195	220	80	250	40	519	617	305	147	140	48.76	49.50	3/4"	0	143.0	74.0	79.8
GP-085°-180°/C4 M	1881	882	999	686	353	240	600	323.9	70	85	335	130	205	70	530	80	195	220	80	250	40	505	574	305	147	140	5.47	5.60	1/4"	0	-162.0	74.0	73.2
GP-085°-235°/C4 M	1886	882	1004	686	358	310	600	323.9	70	85	370	130	240	70	565	80	195	220	80	250	40	505	579	305	147	140	9.32	9.54	1/2"	0	-98.8	74.0	74.5
GP-085°-280°/C4 M	1896	882	1014	686	368	355	600	323.9	70	85	393	130	263	70	588	80	195	220	80	250	40	505	589	305	147	140	13.23	13.54	1/2"	0	-53.5	74.0	75.4
GP-085°-335°/C4 M	1906	882	1024	686	378	415	600	323.9	70	85	423	130	293	70	608	70	195	220	80	250	40	505	599	305	147	140	18.92	19.36	1/2"	0	12.4	74.0	76.7
GP-085°-385°/C4 M	1909	882	1027	686	381	465	600	323.9	70	85	448	130	318	70	643	80	195	220	80	250	40	505	602	305	147	140	25.03	25.61	1"	0	54.4	74.0	77.5
GP-085°-435°/C4 M	1914	882	1032	686	386	515	600	323.9	70	85	473	130	343	70	668	80	195	220	80	250	40	505	607	305	147	140	31.93	32.67	1"	0	96.7	74.0	78.3
GP-085°-485°/C4 M	1919	882	1037	686	391	570	600	323.9	70	85	500	130	370	70	695	80	195	220	80	250	40	505	612	305	147	140	39.70	40.62	1"	0	137.1	74.0	79.0
GP-085°-535°/C4 M	1924	882	1042	686	396	620	600	323.9	70	85	525	130	395	70	720	80	195	220	80	250	40	505	617	305	147	140	48.76	49.50	3/4"	0	168.0	74.0	79.6
GP-085°-180°/C5 M	1881	882	999	686	353	240	600	323.9	70	85	335	130	205	70	530	80	195	220	80	250	40	496	574	305	147	140	5.47	5.60	1/4"	0	-201.6	74.0	74.5
GP-085°-235°/C5 M	1886	882	1004	686	358	310	600	323.9	70	85	370	130	240	70	565	80	195	220	80	250	40	496	579	305	147	140	9.32	9.54	1/2"	0	-140.4	74.0	75.6
GP-085°-280°/C5 M	1896	882	1014	686	368	355	600	323.9	70	85	393	130	263	70	588	80	195	220	80	250	40	496	589	305	147	140	13.23	13.54	1/2"	0	-96.0	74.0	76.3
GP-085°-335°/C5 M	1906	882	1024	686	378	415	600	323.9	70	85	423	130	293	70	608	70	195	220	80	250	40	496	599	305	147	140	18.92	19.36	1/2"	0	-30.2	74.0	77.0
GP-085°-385°/C5 M	1909	882	1027	686	381	465	600	323.9	70	85	448	130	318	70	643	80	195	220	80	250	40	496	602	305	147	140	25.03	25.61	1"	0	12.5	74.0	77.3
GP-085°-435°/C5 M	1914	882	1032	686	386	515	600	323.9	70	85	473	130	343	70	668	80	195	220	80	250	40	496	607	305	147	140	31.93	32.67	1"	0	56.2	74.0	78.7
GP-085°-485°/C5 M	1919	882	1037	686	391	570	600	323.9	70	85	500	130	370	70	695	80	195	220	80	250	40	496	612	305	147	140	39.70	40.62	1"	0	98.5	74.0	79.4
GP-085°-535°/C5 M	1924	882	1042	686	396	620	600	323.9	70	85	525	130	395	70	720	80	195	220	80	250	40	496	617	305	147	140	48.76	49.50	3/4"	0	131.1	74.0	79.9
GP-085°-180°/C6 M	1881	882	999	686	353	240	600	323.9	70	85	335	130	205	70	530	80	195	220	80	250	40	496	574	305	147	140	5.47	5.60	1/4"	0	-2		