



Keeping the World Flowing
for Future Generations

Remote Hand Station

Remote field operation for Skilmatic
SI range actuators

Actuators used in many industries sometimes have to be mounted in places where it is hazardous, inconvenient or just unpleasant for a human to operate. In these cases it is useful to be able to see the status and locally operate an actuator from a safe distance.

Typically in this situation you would be faced with a simplistic interface for basic operation and indication, however Rotork's superior solution matches the comprehensive, feature rich interface provided with SI range actuators.

Remote Hand Station (RHS) enables remote configuration, interrogation and operation of the connected actuator up to 100m from the valve installation. Configuration with a Rotork Bluetooth® Setting Tool *Pro* maintains the familiar user friendly experience associated SI range actuators.

Configuration and data log information can be viewed and extracted locally from the RHS instead of gaining access to the actuator. Power for the RHS is supplied by the actuator, avoiding the need for supplementary power supplies.



Features and Benefits

- Installation using standard data cable, up to 100 metres away from the actuator
- Pole or wall mountable
- Replica of the actuator user interface, including setup and configuration
- Powered via the attached actuator (24 VDC output)
- Explosionproof option available
- Enclosure IP66/IP68 (7 m for 72 Hours)
- Double-sealed
- Simple installation
- Asset management and data log information available to view or extract locally



RHS operating SI range actuators in inaccessible locations

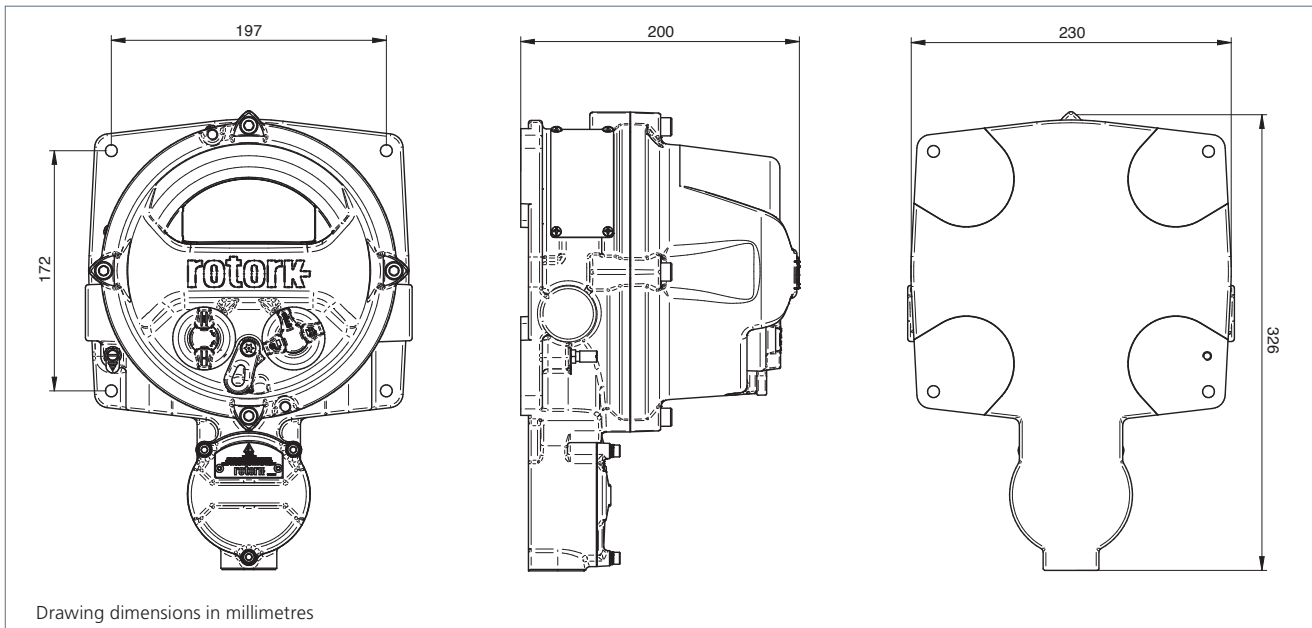
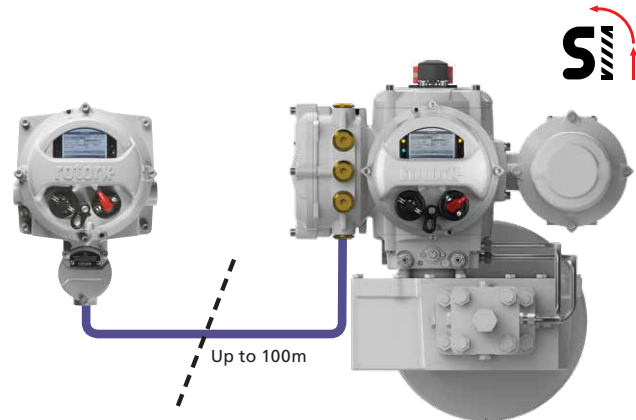


Remote Hand Station

Remote field operation for Skilmatic SI range actuators

Specification

Type	Standard	Optional
Enclosure Non-Hazardous	IP66/IP68 (7 m / 72 hours), NEMA 4, 4X & 6, double-sealed	-
Enclosure Hazardous	ATEX, CSA, CSAus and IEC	-
Temperature Range	-30 to +70 °C (-22 to +158 °F)	-50 °C (-58 °F)
Power Supply	Actuator derived 24 VDC	-
Mounting Options	Wall or pole mounted	-
Coating	Polyester powder-coated	Off-shore paint, special colours
Support Tools	Rotork Bluetooth® Setting Tool Pro, Insight 2	-
Local Control	Non-Intrusive, Local/Stop/Remote (lockable) selector and Open/Close selectors	Vandal-proof cover



Contact us now

mail@rotork.com

www.rotork.com

rotork[®]

PUB002-056-00

Issue 01/25