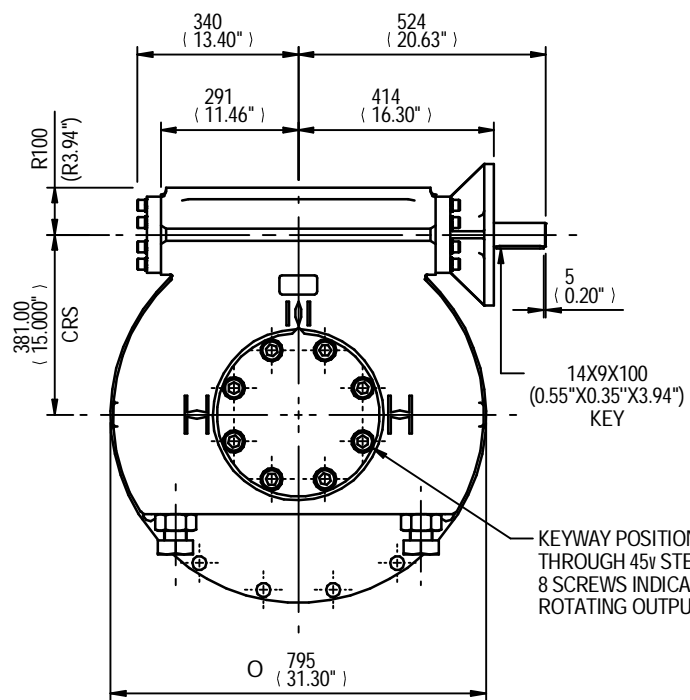
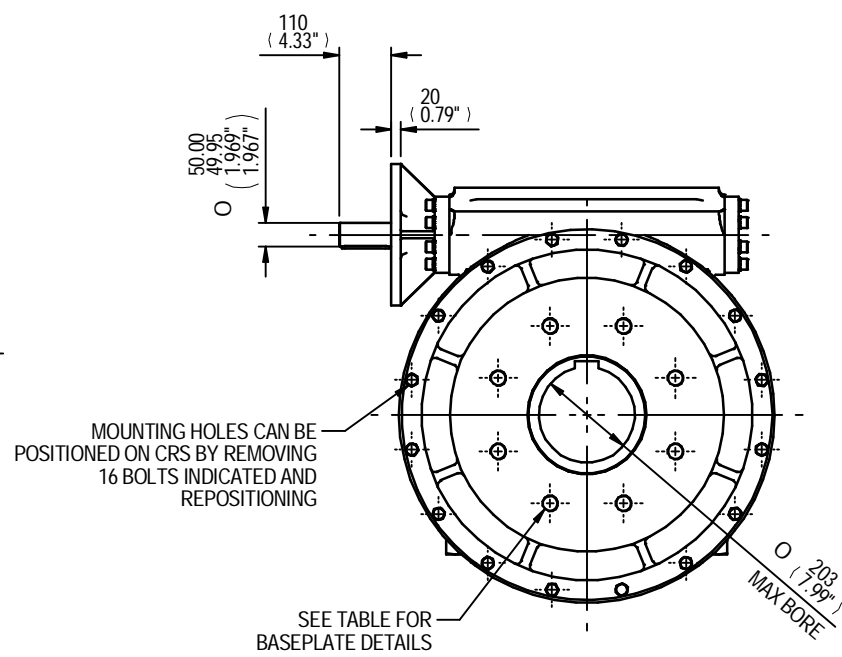
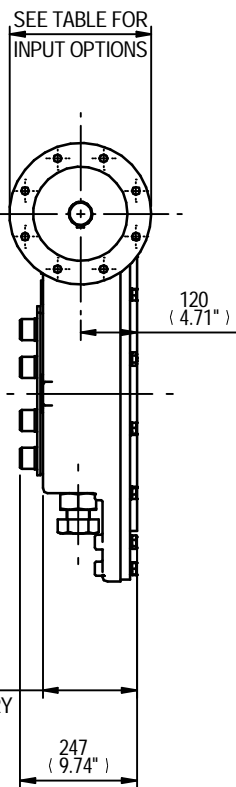


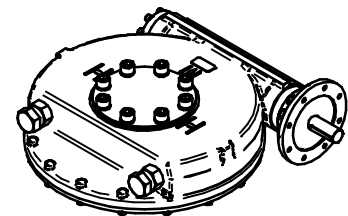
IEWS SHOWING MOTORISED  
UNIT RATIO 60 ONLY



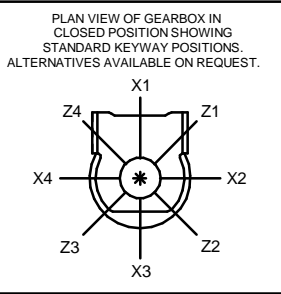
KEYWAY POSITION CAN BE MOVED THROUGH 45° STEPS BY REMOVING 8 SCREWS INDICATED AND ROTATING OUTPUT SLEEVE



MOUNTING HOLES CAN BE POSITIONED ON CRS BY REMOVING 16 BOLTS INDICATED AND REPOSITIONING



MOTORISED UNIT



	INPUT FLANGE DETAILS (RATIO 60)					
	FLANGE O/DIA.	SHAFT DIA.	RECESS DIA.	RECESS DEPTH	HOLE DETAILS (OFF CENTRES)	KEY DETAILS
ISO F25	Ø300 (Ø11.81)	Ø50.00-0.05 (Ø1.969"-0.002")	Ø200.10+0.05 (Ø7.878"+0.002")	5 (0.20")	8 HOLES Ø16.5 (Ø0.65") ON Ø254.0 (Ø10.00") P.C.	14X9X100 (0.55"X0.35"X3.94")
FA25	Ø300 (Ø11.81)	Ø50.00-0.05 (Ø1.969"-0.002")	Ø152.30+0.17 (Ø5.996"+0.007")	5 (0.20")	8 HOLES Ø16.5 (Ø0.65") ON Ø254.0 (Ø10.00") P.C.	14X9X100 (0.55"X0.35"X3.94")
ISO F30	Ø350 (Ø13.78")	Ø50.00-0.05 (Ø1.969"-0.002")	Ø230.10+0.10 (Ø9.059"+0.004")	6 (0.24")	8 HOLES Ø20.5 (Ø0.81") ON Ø298.0 (Ø11.73") P.C.	14X9X100 (0.55"X0.35"X3.94")
ROTORK G30	Ø418 (Ø16.46")	Ø50.00-0.05 (Ø1.969"-0.002")	Ø216.10+0.10 (Ø8.508"+0.004")	6 (0.24")	8 HOLES Ø23.0 (Ø0.91") ON Ø356.0 (Ø14.02") P.C.	14X9X100 (0.55"X0.35"X3.94")

	BASEPLATE DETAILS (ALL RATIOS) (ALTERNATIVES AVAILABLE ON REQUEST)	
	HOLE DETAILS (22.5° OFF CENTRES)	KEY
ISO F35	8 HOLES M30X36 (1.42") DEEP ON Ø356.0 (Ø14.02") P.C.	14X9X100
FA35	8 HOLES 1"UNCX36 (1.42") DEEP ON Ø355.6 (Ø14.00") P.C.	14X9X100
ISO F40	8 HOLES M36X36 (1.42") DEEP ON Ø406.0 (Ø15.98") P.C.	14X9X100
FA40	8 HOLES 1.25"UNCX36 (1.42") DEEP ON Ø406.4 (Ø16.00") P.C.	14X9X100

	MAX BORE SQ KEY		
	STD	BORE	KEY
BS4235	-	-	-
BS46	-	-	-
ANSI B17.1	7.375"	1.3/4"SQ	-

	MAX BORE RECTANGULAR KEY		
	STD	BORE	KEY
BS4235	203.0	50X28	-
BS46	7.625"	2"X1.3/8"	-
ANSI B17.1	7.625"	2"X1.1/2"	-

APPROX WEIGHT: 432.9 kg



IW/MOW115 QUARTER TURN GEARBOX, 60:1 RATIO  
MOTORISED F25/ FA25/ F30/ ROTORK G30 INPUT  
F35/ FA35/ F40/ FA40 BASEPLATE

DETAILS SUBJECT TO CHANGE WITHOUT PRIOR NOTICE

FOR UP TO DATE DETAILS VISIT [www.rotork.com](http://www.rotork.com)

DRAWING No	PUB/IW115
ISSUE	2
DATE	15/01/2013

DRAWING No	PUB/IW115
ISSUE	2
DATE	15/01/2013

Regina House  
Ring Road  
Bramley  
Leeds  
LS14ET  
United Kingdom