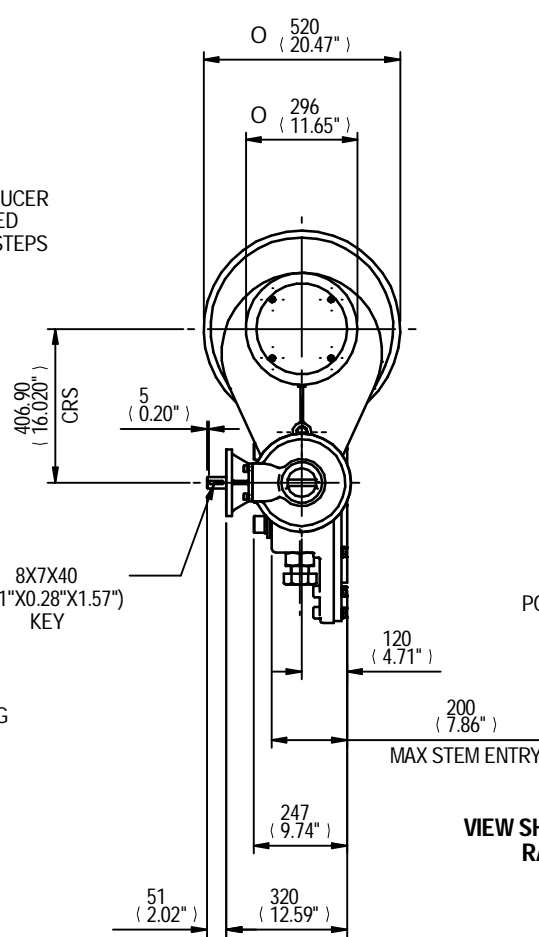


VIEW SHOWING MANUAL UNIT RATIOS 1440 & 1920:1

IS12 INPUT REDUCER CAN BE ROTATED THROUGH 45° STEPS

KEYWAY POSITION CAN BE MOVED THROUGH 45v STEPS BY REMOVING 8 SCREWS INDICATED AND ROTATING OUTPUT SLEEVE

8X7X40 (0.31"X0.28"X1.57") KEY



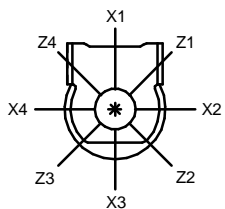
VIEW SHOWING MOTORISED UNIT RATIOS 1440 & 1920:1

SEE TABLE FOR INPUT OPTIONS

MOUNTING HOLES CAN BE POSITIONED ON CRS BY REMOVING 16 BOLTS INDICATED AND REPOSITIONING

SEE TABLE FOR BASEPLATE DETAILS

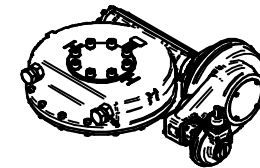
PLAN VIEW OF GEARBOX IN CLOSED POSITION SHOWING STANDARD KEYWAY POSITIONS. ALTERNATIVES AVAILABLE ON REQUEST.



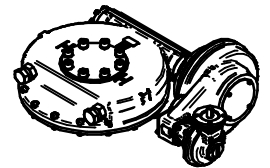
	INPUT FLANGE DETAILS (RATIO 1440 / 1920)					
	FLANGE O/DIA.	SHAFT DIA.	RECESS DIA.	RECESS DEPTH	HOLE DETAILS (OFF CENTRES)	KEY DETAILS
ISO F10	Ø125 (Ø4.92)	Ø20.00-0.05 (Ø0.787"-0.002")	Ø70.05+0.15 (Ø2.758"+0.006")	4 (0.16")	4 HOLES Ø10.5 (Ø0.41")	6X6X40 (0.24"X0.24"X1.57")
FA10	Ø125 (Ø4.92)	Ø20.00-0.05 (Ø0.787"-0.002")	Ø58.70+0.15 (Ø2.311"+0.006")	4 (0.16")	4 HOLES Ø10.5 (Ø0.41")	6X6X40 (0.24"X0.24"X1.57")
ISO F14	Ø175 (Ø6.89)	Ø30.00-0.05 (Ø1.181"-0.002")	Ø100.05+0.15 (Ø3.939"+0.006")	5 (0.20")	4 HOLES Ø16.5 (Ø0.65")	8X7X40 (0.31"X0.28"X1.57")
FA14	Ø175 (Ø6.89)	Ø30.00-0.05 (Ø1.181"-0.002")	Ø95.25+0.15 (Ø3.750"+0.006")	5 (0.20")	4 HOLES Ø16.5 (Ø0.65")	8X7X40 (0.31"X0.28"X1.57")
ISO F16	Ø210 (Ø8.27)	Ø30.00-0.05 (Ø1.181"-0.002")	Ø130.05+0.15 (Ø5.120"+0.006")	5 (0.20")	4 HOLES Ø20.5 (Ø0.81")	8X7X40 (0.31"X0.28"X1.57")
FA16	Ø210 (Ø8.27)	Ø30.00-0.05 (Ø1.181"-0.002")	Ø126.92+0.18 (Ø4.987"+0.007")	5 (0.20")	4 HOLES Ø20.5 (Ø0.81")	8X7X40 (0.31"X0.28"X1.57")

	BASEPLATE DETAILS (ALL RATIOS) (ALTERNATIVES AVAILABLE ON REQUEST)	
	HOLE DETAILS (22.5° OFF CENTRES)	MAX BORE SQ KEY
ISO F35	8 HOLES M30X36 (1.42") DEEP ON Ø356.0 (Ø14.02") P.C.	STD BORE KEY
FA35	8 HOLES 1"UNCX36 (1.42") DEEP ON Ø355.6 (Ø14.00") P.C.	BS4235 - -
ISO F40	8 HOLES M36X36 (1.42") DEEP ON Ø406.0 (Ø15.98") P.C.	BS46 - -
FA40	8 HOLES 1.25"UNCX36 (1.42") DEEP ON Ø406.4 (Ø16.00") P.C.	ANSI B17.1 7.375" 1.3/4"SQ

	MAX BORE RECTANGULAR KEY		
	STD	BORE	KEY
ISO F35	203.0	2"X1.3/8"	50X28
FA35	203.0	2"X1.3/8"	50X28
ISO F40	7.625"	2"X1.3/8"	50X28
FA40	7.625"	2"X1.1/2"	50X28



MANUAL UNIT



MOTORISED UNIT

APPROX WEIGHT: 631.8 kg



IW/MOW115S12IB6 QUARTER TURN GEARBOX, 1440 / 1920:1 RATIOS
 MANUAL F10/ FA10/ F14/ FA14/ F16/ FA16 INPUT: F35/ FA35/ F40/ FA40 BASEPLATE

DETAILS SUBJECT TO CHANGE WITHOUT PRIOR NOTICE

FOR UP TO DATE DETAILS VISIT www.rotork.com

DRAWING No

ISSUE

DATE

PUB/IW115S12IB6

2

15/01/2013

Regina House
 Ring Road
 Bramley
 Leeds
 LS134ET
 United Kingdom