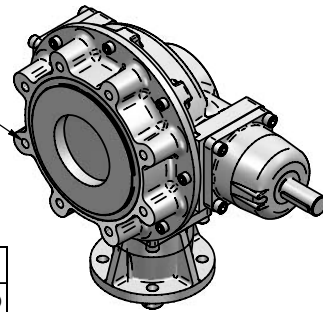
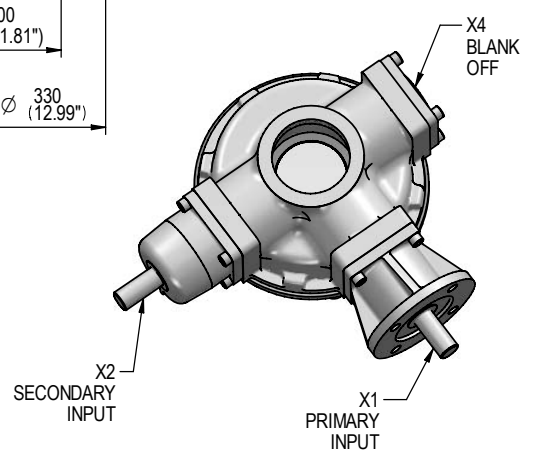


8 OFF M10 BASEPLATE SECURING SCREWS EQUALLY SPACED ON Ø300 (11.81) P.C.

SEE TABLE FOR BASEPLATE HOLE DETAILS

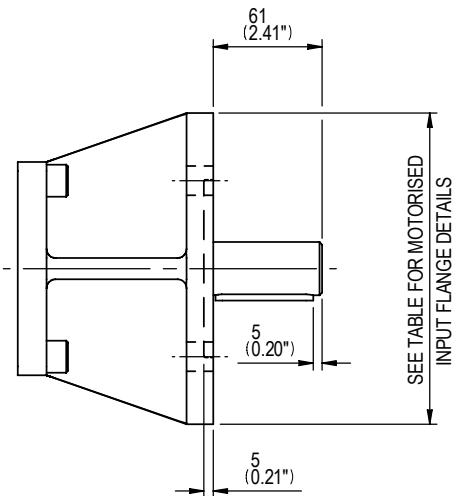


MANUAL INPUT
SEE TABLE FOR
MOTORISED INPUT
FLANGE DETAILS



BASEPLATE DETAILS		
	SPIGOT DIA.	HOLE DETAILS (22.5° OFF CENTRES)
ISO F25	Ø199.95 -0.05 (Ø7.872" -0.002")	8 HOLES M16x20 (0.79") DEEP ON Ø254 (Ø10.00") P.C.
FA25	Ø152.25 -0.05 (Ø5.994" -0.002")	8 HOLES 5/8"UNCx20 (0.79") DEEP ON Ø254 (Ø10.00") P.C.

MOTORISED INPUT FLANGE DETAILS					
	FLANGE O/DIA & THICKNESS	SHAFT DIA.	RECESS DIA.	HOLE DETAILS (OFF CENTRES)	KEY DETAILS
ISO F14	Ø175 (Ø6.89") x 15 (0.59")	Ø30.00 -0.05 (Ø1.181" -0.002")	Ø100.05 +0.05 (Ø3.939" +0.002")	4 HOLES Ø16.5 (Ø0.65") ON Ø140.0 (Ø5.51") P.C.	KEY 8x7x55 (0.31"x0.28"x2.17")
FA14	Ø175 (Ø6.89") x 15 (0.59")	Ø30.00 -0.05 (Ø1.181" -0.002")	Ø95.27 +0.05 (Ø3.751" +0.002")	4 HOLES Ø16.5 (Ø0.65") ON Ø140.0 (Ø5.51") P.C.	KEY 8x7x55 (0.31"x0.28"x2.17")
ISO F16	Ø210 (Ø8.27") x 20 (0.79")	Ø40.00 -0.05 (Ø1.575" -0.002")	Ø130.05 +0.05 (Ø5.120" +0.002")	4 HOLES Ø20.5 (Ø0.81") ON Ø165.0 (Ø6.50") P.C.	KEY 12x8x55 (0.47"x0.31"x2.17")
FA16	Ø210 (Ø8.27") x 20 (0.79")	Ø40.00 -0.05 (Ø1.575" -0.002")	Ø126.92 +0.05 (Ø4.997" +0.002")	4 HOLES Ø20.5 (Ø0.81") ON Ø165.0 (Ø6.50") P.C.	KEY 12x8x55 (0.47"x0.31"x2.17")



ROTORC GEARS
REGINA HOUSE
RING ROAD
BRAMLEY
LEEDS
WEST YORKSHIRE

IB9 DUAL INPUTS AT 90° BEVEL GEARCASE

DETAILS SUBJECT TO CHANGE WITHOUT PRIOR NOTICE

FOR UP TO DATE DETAILS VISIT www.rotork.com

ISSUE :-	A	SCALE :-	1 : 4 (A4)
DATE :-	29/04/2010		
DRAWING No :-	PUB-IB9-DUAL90		