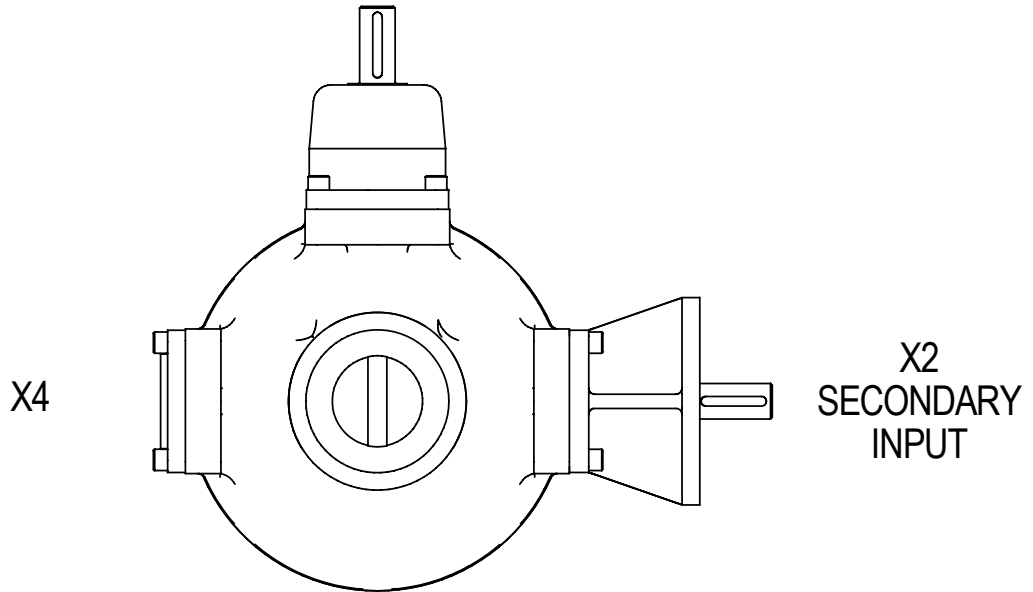


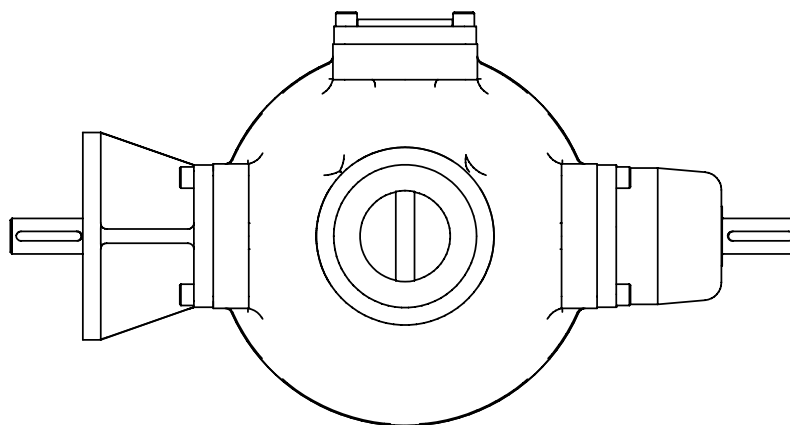
X1
PRIMARY
INPUT



INPUTS LOCATED AT 90°

X1

X4
SECONDARY
INPUT



X2
PRIMARY
INPUT

INPUTS LOCATED AT 180°

ROTORK GEARS
REGINA HOUSE
RING ROAD
BRAMLEY
LEEDS
WEST YORKSHIRE

IB DUAL INPUT BEVEL GEARCASE

DETAILS SUBJECT TO CHANGE WITHOUT PRIOR NOTICE

ISSUE :-	A	SCALE :-	1 : 6 (A4)
DATE :-		27/04/2010	
DRAWING No :-		PUB-IB-TRIPLE	