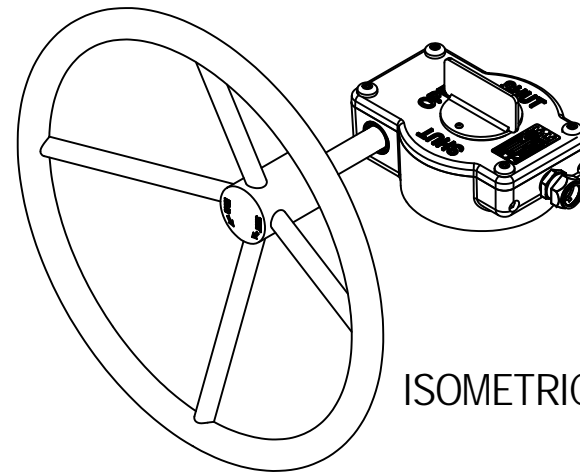


BASEPLATE DETAILS (ALTERNATIVES AVAILABLE ON REQUEST)	
HOLE DETAILS (45° ON CENTRES)	
ISO F07	4 HOLES M8X8(0.315") DEEP ON 070.0(02.756") P.C.
FA07	4 HOLES 5/16"UNCX7.94(0.3125") DEEP ON 069.9(02.75") P.C.
ISO F10	4 HOLES M10X10(0.394") DEEP ON 0102(04.02") P.C.
FA10	4 HOLES 3/8"UNCX9.525(0.375") DEEP ON 0101.6(04.00") P.C.

MAX. BORE RECTANGULAR KEY		
STD	BORE	KEY
BS4235	40	12 X 8
BS46	1.56"	0.4375" X 0.3125"
ANSI B17.1	1.61"	0.375" X 0.125"

MAX. BORE D-D	
048.5(1.84") DD34.3(1.35")	

MAX. SQUARE	
34.3(1.35")	



ISOMETRIC



FB40 ISO UL BASELINE

FB40 GEARBOX 660Nm. UL1091 SPECIFICATION. ISO F07 + F10.

DETAILS SUBJECT TO CHANGE WITHOUT PRIOR NOTICE

FOR UP TO DATE DETAILS VISIT www.rotork.com

DRAWING No	DEV0548	SHEET 3/3	Regina House Ring Road Bramley Leeds LS134ET United Kingdom
ISSUE	E		
DATE	08/12/2009		