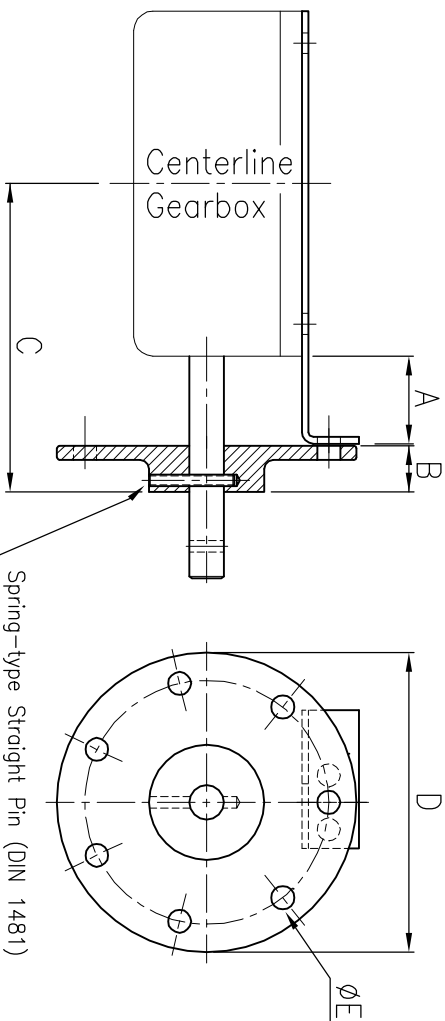


TYPE	A	B	C	D	∅ E
232-05	18 [0.71]	18 [0.71]	69 [2.72]	50 [1.97]	10.5 [0.41]
232-06	18 [0.71]	18 [0.71]	69 [2.72]	50 [1.97]	10.5 [0.41]
232-08	26 [1.02]	18 [0.71]	88 [3.46]	50 [1.97]	10.5 [0.41]
232-11	27.5 [1.08]	18 [0.71]	102.5 [4.03]	70 [2.76]	10.5 [0.41]
232-13	27 [1.07]	18 [0.71]	126 [4.96]	70 [2.76]	10.5 [0.41]
232-14	27 [1.07]	18 [0.71]	126 [4.96]	70 [2.76]	10.5 [0.41]
232-15	27 [1.07]	18 [0.71]	126 [4.96]	70 [2.76]	10.5 [0.41]
232-05 0	20 [0.79]	18 [0.71]	70 [2.76]	70 [2.76]	8 [0.31]
232-07	15 [0.59]	18 [0.71]	79 [3.11]	70 [2.76]	8 [0.31]
232-10	25 [0.98]	18 [0.71]	102 [4.02]	70 [2.76]	10 [0.39]
232-12	30 [1.18]	18 [0.71]	126 [4.96]	70 [2.76]	10 [0.39]
150	20 [0.79]	18 [0.71]	70 [2.76]	50 [1.97]	10 [0.39]
AB 210	30 [1.18]	20 [0.79]	102 [4.02]	62.5 [2.46]	8.5 [0.33]
AB 215	30 [1.18]	20 [0.79]	102 [4.02]	62.5 [2.46]	8.5 [0.33]
AB 550	35 [1.38]	20 [0.79]	123 [4.84]	90 [3.54]	8.5 [0.33]
AB 880	38 [1.50]	20 [0.79]	138 [5.43]	90 [3.54]	8.5 [0.33]
AB 1250	46 [1.81]	20 [0.79]	160 [6.30]	90 [3.54]	8.5 [0.33]
AB 1950	28.5 [1.12]	20 [0.79]	146 [5.75]	85 [3.35]	8.5 [0.33]
AB 1950 HR	28.5 [1.12]	20 [0.79]	146 [5.75]	85 [3.35]	8.5 [0.33]
AB 1950/SP4	5 [0.20]	20 [0.79]	251 [9.88]	85 [3.35]	8.5 [0.33]
AB 6800	21 [0.83]	20 [0.79]	198.5 [7.81]	130 [5.12]	8.5 [0.33]
AB 6800/SP4	5 [0.20]	20 [0.79]	304 [11.97]	85 [3.35]	8.5 [0.33]
A 250/SP9	5 [0.20]	20 [0.79]	420 [16.54]	85 [3.35]	8.5 [0.33]



Dimensions in MM

rotork-gears

NiJverheidstraat 25
7581 VJ Lasser
The Netherlands

PADLOCK FLANGES

THIS DOCUMENT IS PROPERTY OF ROTORK GEARS. NEITHER THIS OR ITS CONTENT MAY BE COPIED OR USED IN ANY OTHER WAY DETRIMENTAL TO THE INTEREST OF ROTORK GEARS. ACCEPTANCE OF THIS DOCUMENT SHALL CONSTITUTE ACKNOWLEDGEMENT OF THE FOREGOING CONDITIONS



Drawn : H.H

Date : 19-01-03

Dwg Nr.: 0005-001

Rev.: 06

Contents Subject to change without notice.