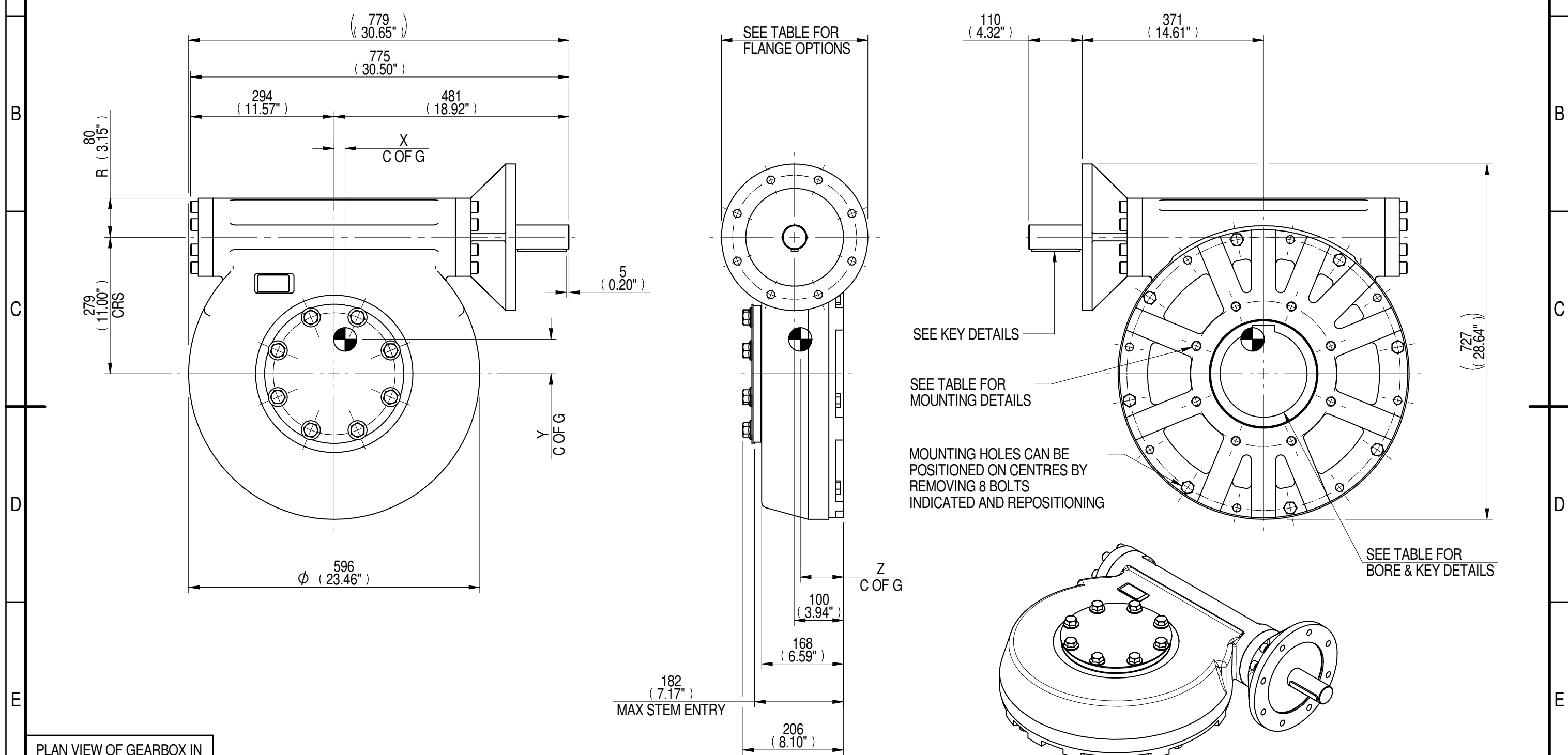


| 1 | 2 | | 3 | | 4 | | 5 | | 6 | | | 7 | | 8 | |
|----------------------|---------------------------------|---------------------------------|----------------------------------|--------------|--|---------------------------------|--|--|---|------------|-----------------|-------------|--------------------|----------------|-----------------|
| INPUT FLANGE DETAILS | | | | | | | MOUNTING HOLES - BOLT CIRCLE (OFF CENTRES) | | | | | | | | |
| INPUT FLANGE | FLANGE O/DIA. + THICKNESS | SHAFT DIA. | RECESS DIA. | RECESS DEPTH | HOLE DETAILS (45° OFF CENTRES) | KEY DETAILS | ISO 5211 / MSS SP-101 MOUNTING OPTION | HOLE DETAILS (22.5° OFF CENTRES) | STANDARD | MIN BORE | SQ KEY MAX BORE | SQ KEY SIZE | RECT. KEY MAX BORE | RECT. KEY SIZE | SQ BORE MAX |
| ISO F25 | Ø300 x 20 (Ø11.81" x 0.787") | Ø50.00-0.05 (Ø1.969"-0.002") | Ø200.10+0.10 (Ø7.878"+0.004") | 5 (0.20") | 8 x Ø16.5 ON Ø254.0 P.C. (8 x Ø0.65" ON Ø10.00" P.C.) | 14x9x100 (0.55"x0.35"x3.94") | ISO F30* | 8 x M20 x 30 (1.18") DEEP ON Ø298.0 (Ø11.73") P.C. | BS4235 | - | - | - | 178 | 45 x 25 | □ 132.1 (5.20") |
| FA25 | | | | | | | FA30* | | 8 x 3/4" UNC x 30 (1.18") DEEP ON Ø298.5 (Ø11.75") P.C. | ANSI B17.1 | - | 6.50" | 1.1/2" SQ. | 6.50" | |
| | | | | | | | DIN 6885 | - | - | - | - | 178 | 45 x 25 | | |



PLAN VIEW OF GEARBOX IN CLOSED POSITION SHOWING STANDARD KEYWAY POSITIONS. ALTERNATIVES AVAILABLE ON REQUEST



NOTES:
 1. * THREAD DEPTH DOES NOT MATCH ISO STANDARD
 2. CENTRE OF GRAVITY POSITION IS INDICATIVE FOR STANDARD BUILD WHEN IN POSITION SHOWN

| DESCRIPTION | TORQUE | CENTRE OF GRAVITY |
|-----------------|--------|-------------------|
| 60 | 39318 | 22 |
| 25 | 1573 | 70 |
| 251 | | 88 |
| M.A. ± 10% | | |
| WEIGHT (Kg) | | |
| MAX OUTPUT (Nm) | | |
| MAX INPUT (Nm) | | |
| X | | Y |
| Y | | Z |
| Z | | |

AS PART OF CONTINUOUS PRODUCT DEVELOPMENT, ALL DETAILS SUBJECT TO CHANGE WITHOUT PRIOR NOTICE. FOR UP TO DATE DETAILS PLEASE VISIT www.rotork.com

| | | | |
|--------------------------------------|--|---|---|
| <p>LEEDS - UK www.rotork.com</p> | <p>This drawing is confidential and is the property of Rotork Gears and must not be reproduced either wholly or partly. All rights in respect of patents, designs and copyrights are reserved. ©2015</p> | <p>Document Type PUBLICITY</p> <p>Dimensions in mm</p> | <p>Title MTW9 MULTI-TURN GEARBOX, 60:1 F25/FA25 INPUT, F30/FA30 OUTPUT</p> |
| | <p>www.rotork.com</p> | | <p>Drawing Number PUB-MTW9-F25-F30</p> |
| <p>Sheet 1 of 1</p> | | <p>Size A3</p> | <p>Iss. 01</p> |