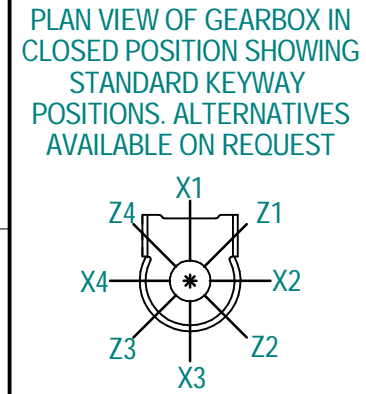
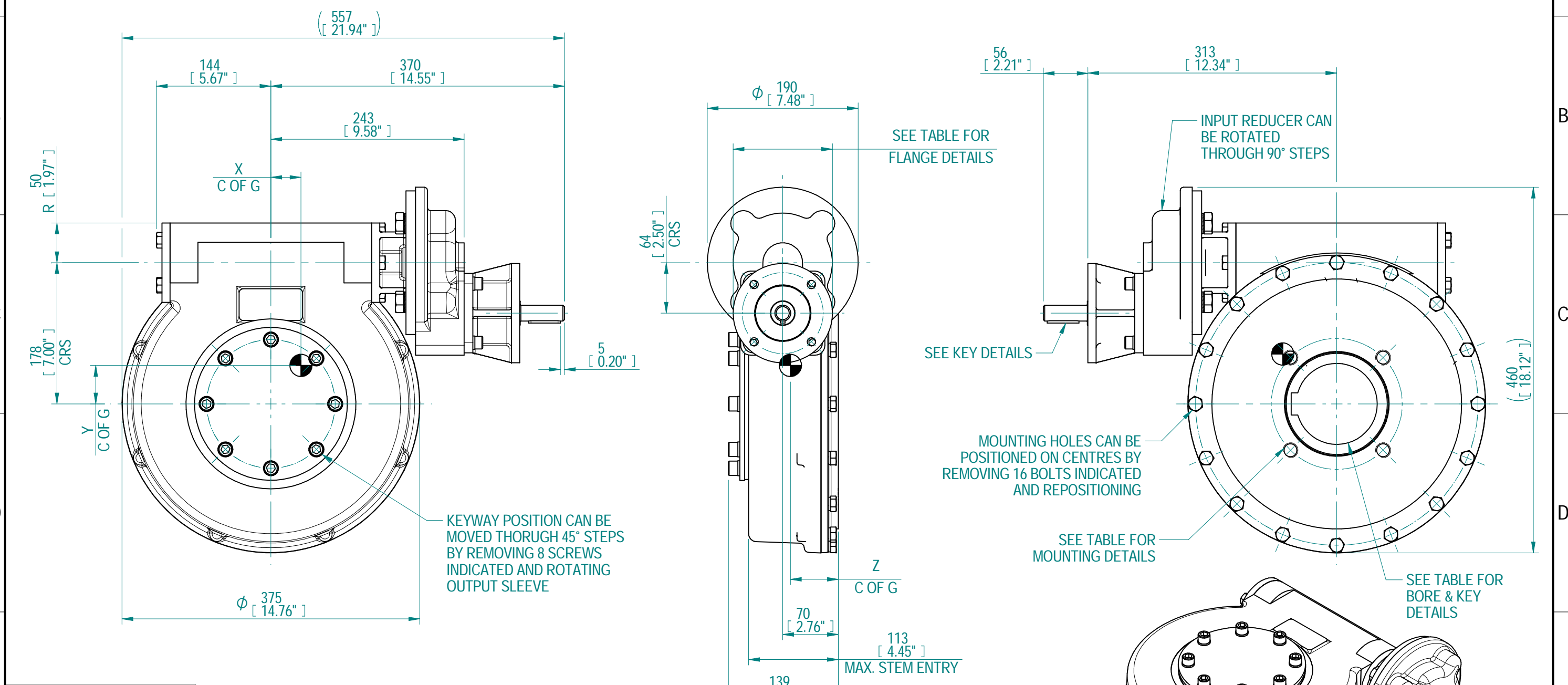


1		2			3		4			5		6			7		8	
INPUT FLANGE DETAILS		MOUNTING HOLES - BOLT CIRCLE (OFF CENTRES)														STEM ACCEPTANCE IN ACCORDANCE TO STANDARD		
INPUT FLANGE	FLANGE O/DIA.	SHAFT DIA.	RECESS DIA.	RECESS DEPTH	HOLE DETAILS (OFF CENTRES)	KEY DETAILS	ISO 5211 / MSS SP-101 MOUNTING OPTION	HOLE DETAILS (OFF CENTRES)	MAX OUTSIDE DIA. INCLUDING DRILLED HOLES	MIN INSIDE DIA. INCLUDING DRILLED HOLES	SQ BORE MAX	STANDARD	MIN BORE	SQ KEY MAX BORE	SQ KEY SIZE	RECT. KEY MAX BORE	RECT KEY SIZE	
ISO F10	Ø125 x 10 (Ø4.92" x 0.393")	Ø20.00-0.05 (Ø0.787"-0.002")	Ø70.05+0.15 (Ø2.758"+0.006")	4 (0.16")	4 x Ø10.5 ON Ø102.0 P.C. (4 x Ø0.41" ON Ø4.02" P.C.)	6x6x40 (0.24"x0.24"x1.57")	ISO F16*	4 x M20 x 20 (0.79") DEEP ON Ø165.0 (Ø6.50") P.C.	Ø294 (11.57")	Ø156 (6.14")	□ 83.3 (3.28")	BS4235	-	-	-	102	28 x 16	
FA10			FA16*				4 x 3/4" UNC x 19 (0.75") DEEP ON Ø165.0 (Ø6.50") P.C.					ANSI B17.1	-	3.625"	1" SQ.	3.75"	1" x 3/4"	
			Ø58.70+0.15 (Ø2.311"+0.006")									DIN 6885	-	-	-	102	28 x 16	



- NOTES:
- OTHER INPUT AND OUTPUT OPTIONS AVAILABLE - SEE 'MTW GEARBOX BROCHURE' AT WWW.ROTORK.COM FOR FURTHER DETAILS.
 - CENTRE OF GRAVITY POSITION IS INDICATIVE FOR STANDARD BUILD WHEN IN POSITION SHOWN.
 - * THREAD DEPTH DOES NOT MATCH ISO STANDARD.
 - WEIGHT AND C OF G DIMENSIONS WILL VARY +/-1% DEPENDING ON RATIO.

304	116	73	8270	71	38	48	60				
228	87			95							
152	58			143							
RATIO	M.A. (±10%)	WEIGHT (KG)	MAX OUTPUT (Nm)	MAX INPUT (Nm)	X	Y	Z				
DESCRIPTION				TORQUE				CENTRE OF GRAVITY			

1-0	EC1603	S.Bailey	C.Flesher	2021-04-28	Endcap and Flange fasteners changed from Durlok to Hex Head
Rev	ECN	Revised	Rev. Approved	Date	Change Description

AS PART OF CONTINUOUS PRODUCT DEVELOPMENT, ALL DETAILS SUBJECT TO CHANGE WITHOUT PRIOR NOTICE. FOR UP TO DATE DETAILS PLEASE VISIT www.rotork.com

rotork Gears
Leeds - UK
www.rotork.com

© 2021 Rotork Group of Companies. All rights reserved. This document and its contents may not be reproduced, distributed, transmitted, displayed, published, or broadcast, in whole, or in part, without the prior, express written permission of Rotork Group of Companies.

Dimensions in mm
Scale: 1:5

Title: **MTW6 IR1S MULTI TURN GEARBOX**

Created: J.Dickinson, 2020-11-04
Checked: M.Jones, 2020-11-11
Approved: M.Jones, 2020-11-27

Drawing Number: **PUB-MTW6-IR1S**
Rev: 1-0

Nominal Mass: **SEE TABLE** | Size: A3 | Sheet: 1 of 1