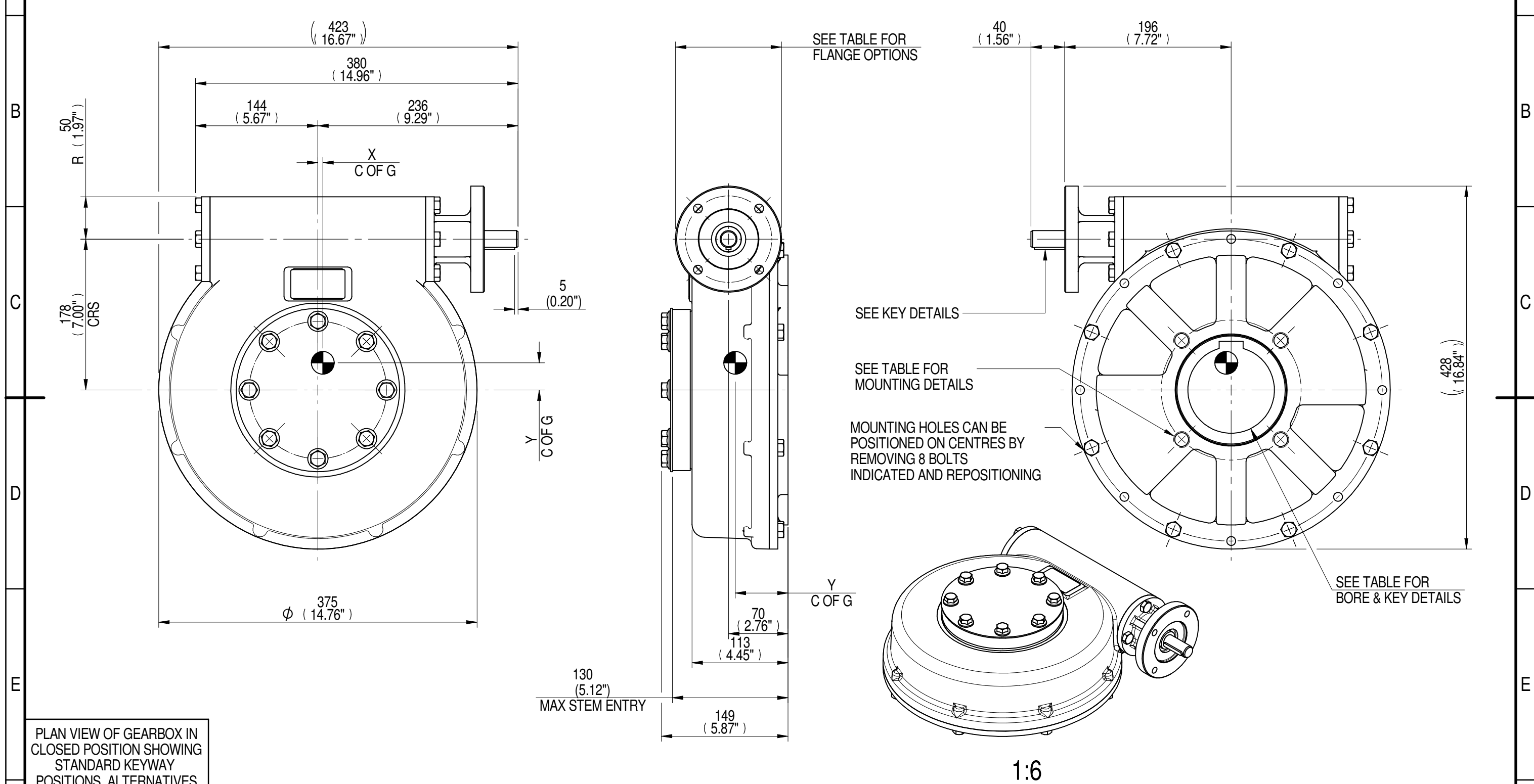
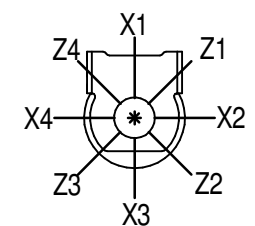


INPUT FLANGE DETAILS							MOUNTING HOLES - BOLT CIRCLE (OFF CENTRES)								
INPUT FLANGE	FLANGE O/DIA. + THICKNESS	SHAFT DIA.	RECESS DIA.	RECESS DEPTH	HOLE DETAILS (45° OFF CENTRES)	KEY DETAILS	ISO 5211 / MSS SP-101 MOUNTING OPTION	HOLE DETAILS (45° OFF CENTRES)	STANDARD	MIN BORE	SQ KEY MAX BORE	SQ KEY SIZE	RECT. KEY MAX BORE	RECT. KEY SIZE	SQ BORE MAX
ISO10	Ø125 x 16 (Ø4.92" x 0.63")	Ø20.00-0.05 (Ø0.787"-0.002")	Ø70.05+0.15 (Ø2.758"+0.006")	4 (0.16")	4 x Ø10.5 ON Ø102.0 P.C. (4 x Ø0.41" ON Ø4.02" P.C.)	6x6x40 (0.24"x0.24"x1.57")	ISO F16*	4 x M20 x 16 (0.63") DEEP ON Ø165.0 (Ø6.50") P.C.	BS4235	-	-	-	102	28 x 16	□ 83.3 (3.28")
FA10			BS46						-	3.625"	1" SQ.	3.75"	1" x 3/4"		
		Ø58.70+0.15 (Ø2.311"+0.006")				FA16*	4 x 3/4" UNC x 16 (0.63") DEEP ON Ø165.0 (Ø6.50") P.C.	ANSI B17.1	-	3.75"	7/8" SQ.	3.875"	1" x 3/4"		
								DIN 6885	-	-	-	-	102	28 x 16	



PLAN VIEW OF GEARBOX IN CLOSED POSITION SHOWING STANDARD KEYWAY POSITIONS. ALTERNATIVES AVAILABLE ON REQUEST



NOTES:
 1. * THREAD DEPTH DOES NOT MATCH ISO STANDARD
 2. CENTRE OF GRAVITY POSITION IS INDICATIVE FOR STANDARD BUILD WHEN IN POSITION SHOWN

70	23	61	6779	295	6	32	62
RATIO	M.A. ± 10%	WEIGHT (Kg)	MAX OUTPUT (Nm)	MAX INPUT (Nm)	X	Y	Z
DESCRIPTION			TORQUE		CENTRE OF GRAVITY		

AS PART OF CONTINUOUS PRODUCT DEVELOPMENT, ALL DETAILS SUBJECT TO CHANGE WITHOUT PRIOR NOTICE. FOR UP TO DATE DETAILS PLEASE VISIT www.rotork.com

	Document Type PUBLICITY	Title MTW6 MULTI-TURN GEARBOX, 70:1 F10/FA10 INPUT, F16/FA16 OUTPUT	Drawing Number PUB-MTW6-F10-F16	Iss. 01
	LEEDS - UK			
www.rotork.com		Sheet 1 of 1 Size A3		