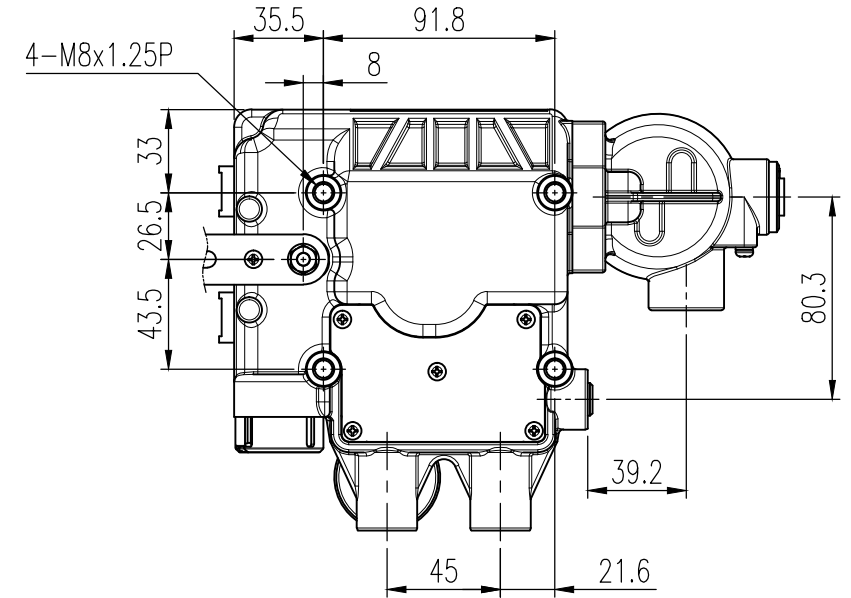
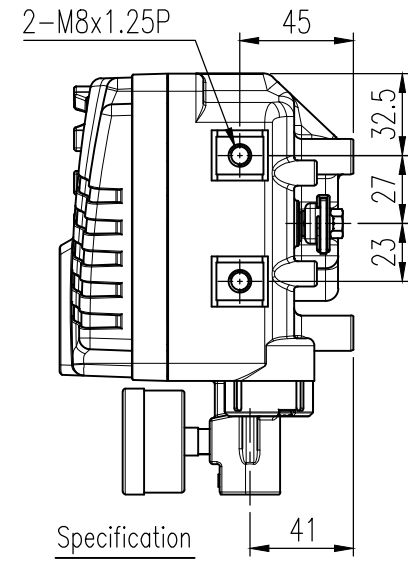
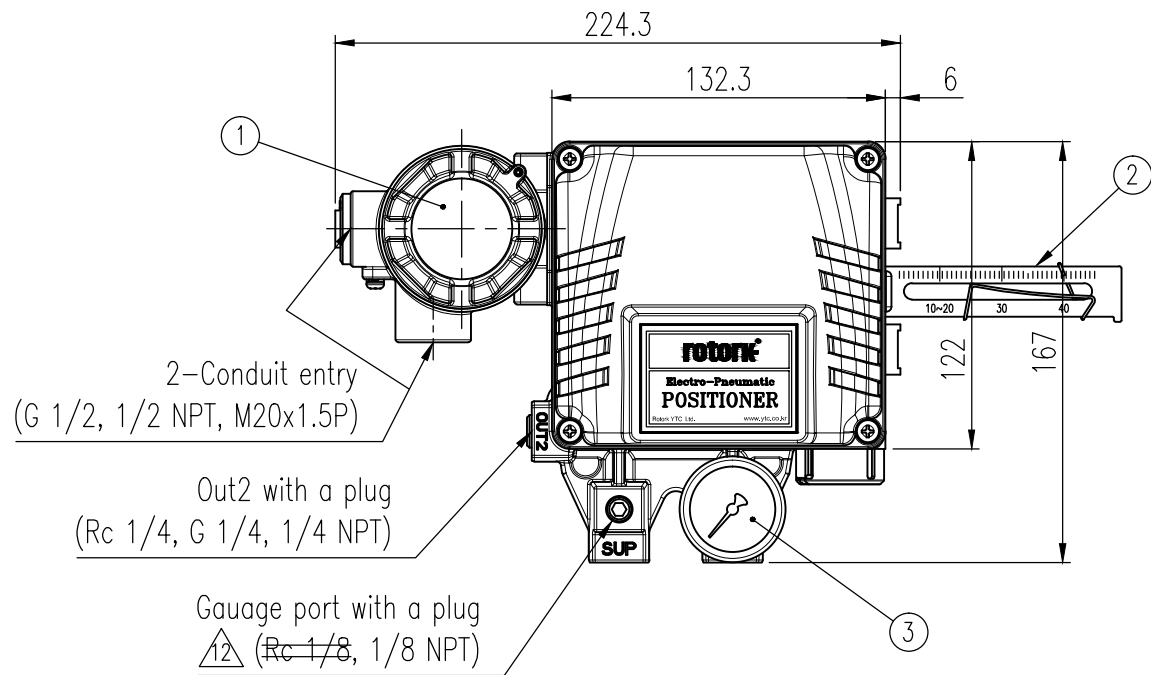


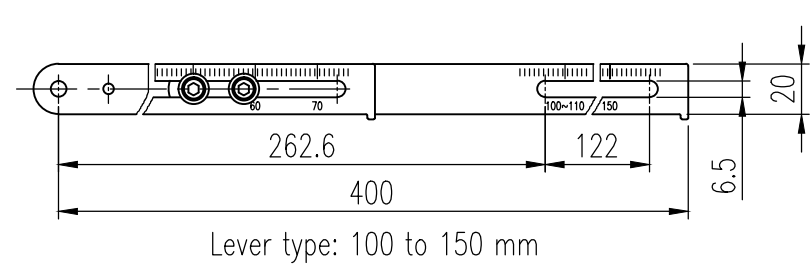
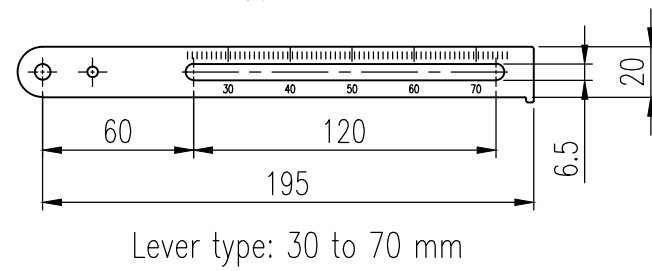
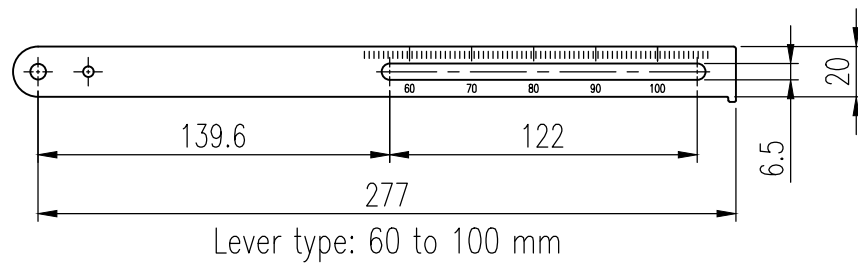
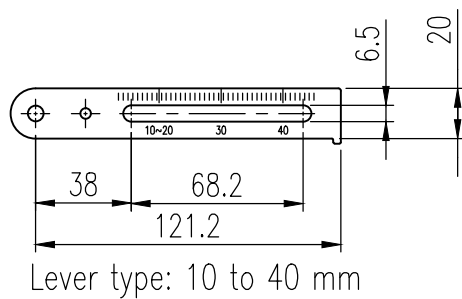
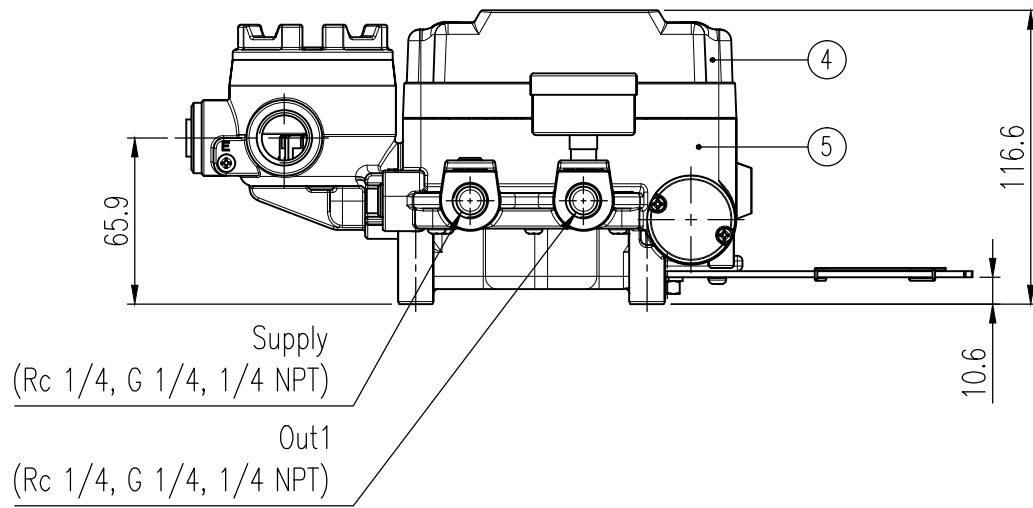
REV.NO.	REVISION DESCRIPTION	DRAWN / DATE	REVIEWED / DATE	APPROVED / DATE
	Previous versions omitted			
△1	Drawing arrangement	KCH/20191024	JCS/20191024	KTJ/20191024
△2	Gauge threads integrated ...	KCH/20241227	JCS/20241227	KTJ/20241227



Specification

Motion Type	Linear
Acting Type	<input type="checkbox"/> Single <input type="checkbox"/> Double
Input Signal	4-20 mA DC
Impedance	Max. 250 ± 15 Ω
Supply Pressure	0.14 to 0.7 MPa (1.4 to 7 bar)
Stroke	10 to 150 mm
Conduit-Air Connection	<input type="checkbox"/> G 1/2(N/A for FM, CSA, CCC)-Rc 1/4 <input type="checkbox"/> G 1/2(N/A for FM, CSA, CCC)-1/4 NPT <input type="checkbox"/> G 1/2(N/A for FM, CSA, CCC)-G 1/4 <input type="checkbox"/> M20x1.5P-1/4 NPT <input type="checkbox"/> 1/2 NPT-1/4 NPT
Explosion Protection	<input type="checkbox"/> ATEX, IECEx, NEPSI, UKEX, PESO : Ex db mb IIB T5 Gb <input type="checkbox"/> KCs : Ex dmb IIB T5/T4 <input type="checkbox"/> INMETRO : Ex db mb IIB T5 Gb <input type="checkbox"/> CSA : Ex d m IIB T5 Gb <input type="checkbox"/> FM : CL I, Div 1, Grps C,D T5 / CL II,III, Div 1, Grps E,F,G T5 <input type="checkbox"/> KCs : Ex dmb IIC T5 <input type="checkbox"/> TIIS : Ex dmb IIB T5 <input type="checkbox"/> CCC, NEPSI : Ex db mb IIB T5 Gb <input type="checkbox"/> CCC, NEPSI : Ex db mb IIC T6 Gb
Orifice Type	<input type="checkbox"/> Ø1 <input type="checkbox"/> Ø2 <input type="checkbox"/> None

Operating Temp.	Standard	<input type="checkbox"/> -20 to 70 °C (-4 to 158 °F)
	High	<input type="checkbox"/> -20 to 120 °C (-4 to 248 °F)
	Low	<input type="checkbox"/> -40 to 70 °C (-40 to 158 °F)
Ambient Temperature of Explosion Proof	See certificates or product manual	
Linearity	Single	± 1.0 % F.S.
	Double	± 2.0 % F.S.
Hysteresis	± 1.0 % F.S.	
Sensitivity	Single	± 0.2 % F.S.
	Double	± 0.5 % F.S.
Repeatability	± 0.5 % F.S.	
Flow Capacity	> 80 LPM (Sup. = 0.14 MPa, 1.4 bar)	
Air Consumption	< 2.5 LPM (Sup. = 0.14 MPa, 1.4 bar)	
Ingress Protection	IP66, Type 4X(FM), (excluding the pressure gauges)	
Weight	2.7 kg (6.1 lb)	
Lever Type	<input type="checkbox"/> 10 to 40 mm	<input type="checkbox"/> 30 to 70 mm
	<input type="checkbox"/> 60 to 100 mm	<input type="checkbox"/> 100 to 150 mm
Housing Material	Aluminum	
Painting	Polyester Powder Coating	



No.	Part name	Material	Q'ty	Remark
1	Junction box	ALDC12	1	
2	Feedback lever	STS304	1	
3	Pressure gauge	STS304	1	△1 1/8 NPT
4	Base cover	ALDC12	1	
5	Base body	ALDC12	1	

SURFACE TEXTURE		PRODUCT NAME		PROJECT NAME
-		E/P Positioner		
FINISH TREATMENT		MODEL		rotork Rotork YTC Limited GMP0-SI, KOREA
-		YT-1000L		
MATERIAL		PROJECTION	SCALE	TITLE Linear, Junction box type
-		3rd	1 / 3	
OTHERWISE NOTE		QUANTITY	SHEET No.	DRAWING NO. △1 YT-1000L-02
-		1	1 / 1	
GENERAL TOLERANCE		REV.		12
-				