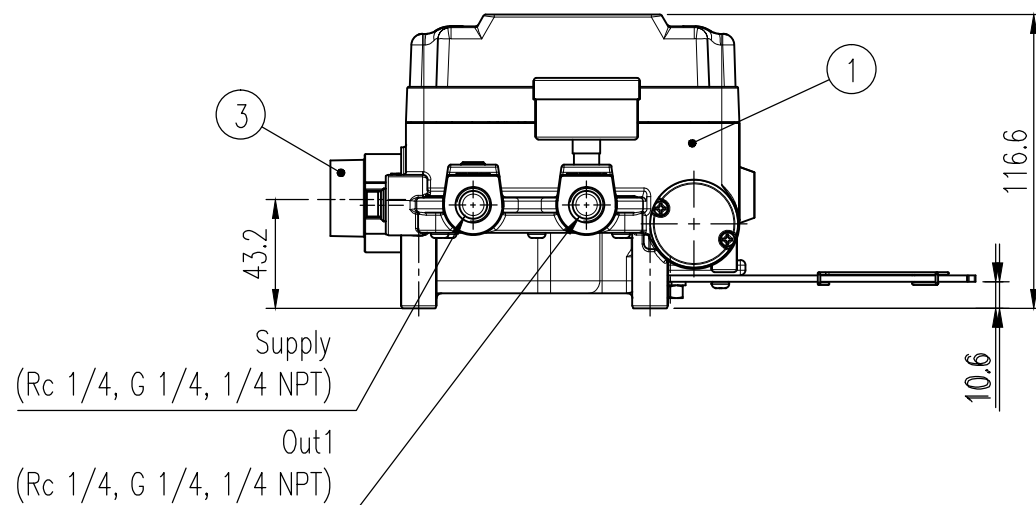
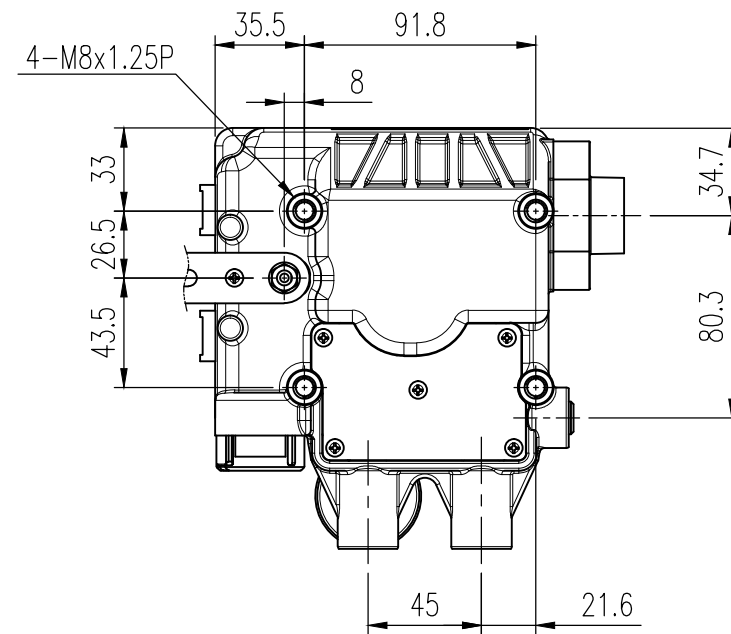
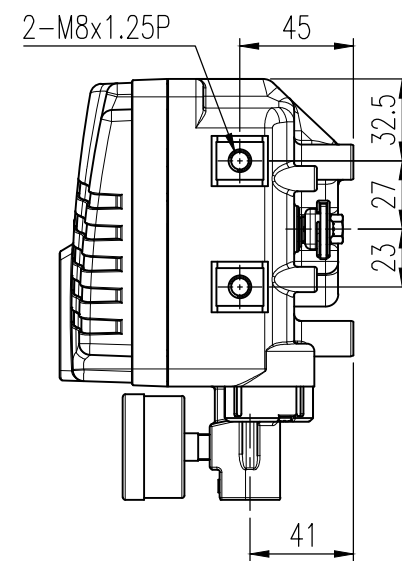
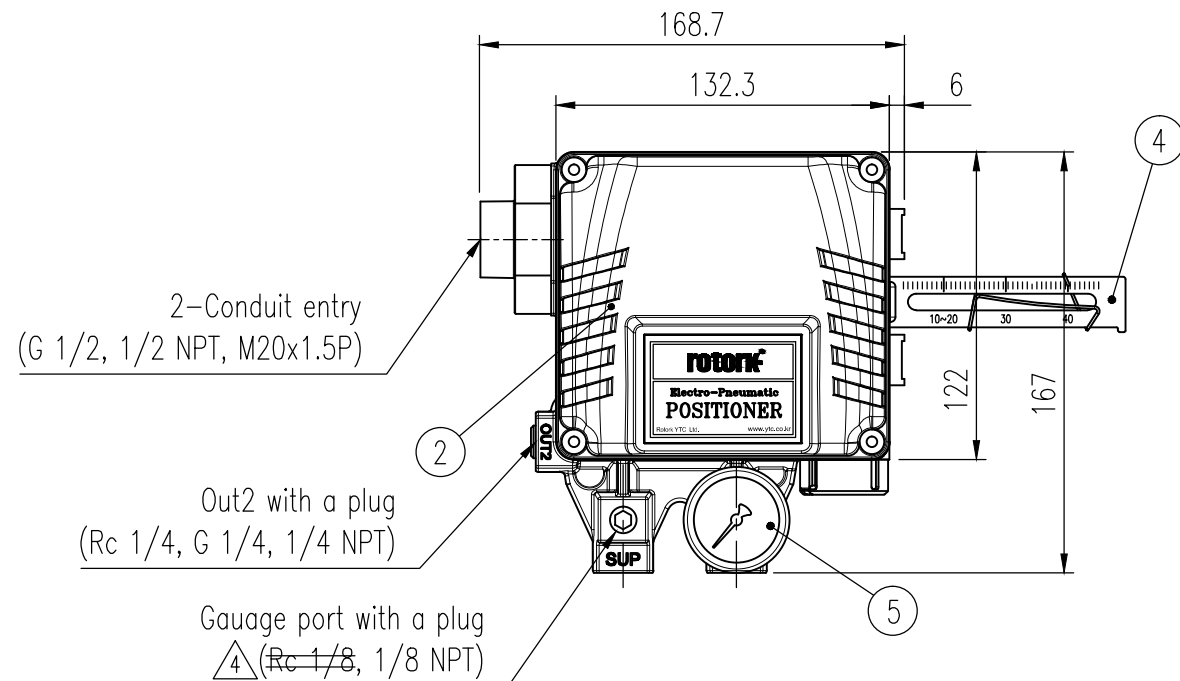


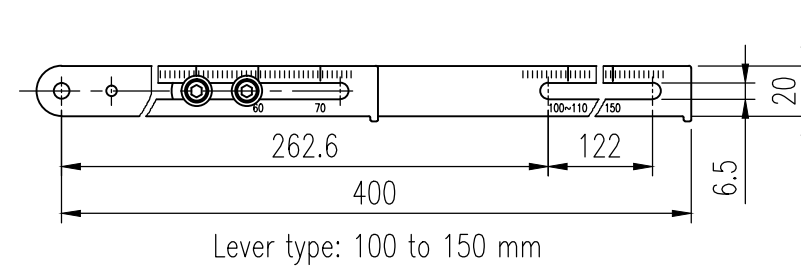
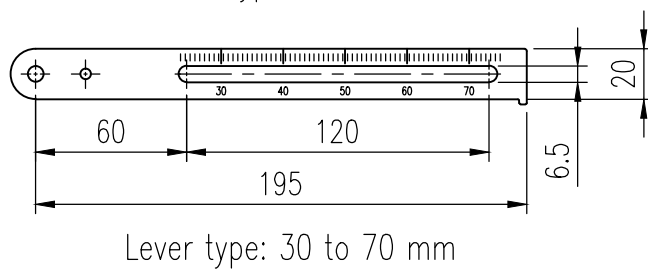
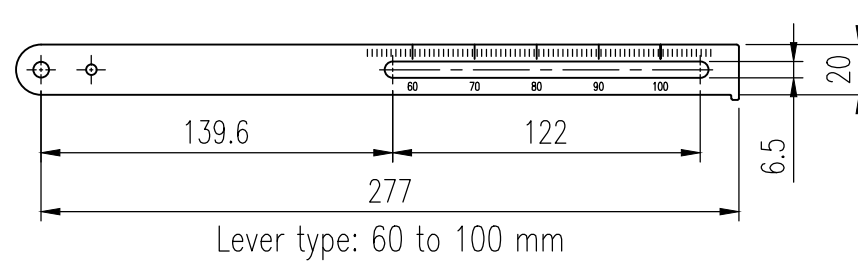
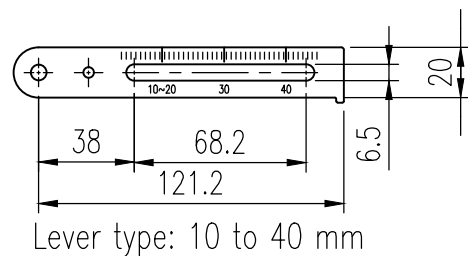
REV.NO.	REVISION DESCRIPTION	DRAWN / DATE	REVIEWED / DATE	APPROVED / DATE
	Previous versions omitted			
3	Drawing arrangement	KSH/20191016	KSH/20191016	KTJ/20191016
4	Gauge threads integrated ...	KCH/20250116	JCS/20250116	KTJ/20250116



Specification

Motion Type	Linear	
Acting Type	<input type="checkbox"/> Single	<input type="checkbox"/> Double
Input Signal	4-20 mA DC	
Impedance	Max. 250 ± 15 Ω	
Supply Pressure	0.14 to 0.7 MPa (1.4 to 7 bar)	
Stroke	10 to 150 mm	
Conduit-Air Connection	<input type="checkbox"/> G 1/2-Rc 1/4	<input type="checkbox"/> G 1/2-1/4 NPT
	<input type="checkbox"/> G 1/2-G 1/4	<input type="checkbox"/> M20x1.5P-1/4 NPT
	<input type="checkbox"/> 1/2 NPT-1/4 NPT	
Explosion Protection	<input type="checkbox"/> Non-Explosion proof	<input type="checkbox"/> CCC, NEPSI : Ex ia IIC T6 Gb
	<input type="checkbox"/> ATEX, IECEx, KCS, PESO : Ex ia IIC T6 Gb	
Orifice Type	<input type="checkbox"/> ø1	<input type="checkbox"/> ø2 <input type="checkbox"/> None
Operating Temp.	Standard	<input type="checkbox"/> -20 to 70 °C (-4 to 158 °F)
	High	<input type="checkbox"/> -20 to 120 °C (-4 to 248 °F)
	Low	<input type="checkbox"/> -40 to 70 °C (-40 to 158 °F)

Ambient Temperature of Explosion Proof	-20 to 60 °C (-4 to 140 °F)	
Linearity	Single	± 1.0 % F.S.
	Double	± 2.0 % F.S.
Hysteresis	± 1.0 % F.S.	
Sensitivity	Single	± 0.2 % F.S.
	Double	± 0.5 % F.S.
Repeatability	± 0.5 % F.S.	
Flow Capacity	> 80 LPM (Sup. = 0.14 MPa, 1.4 bar)	
Air Consumption	< 2.5 LPM (Sup. = 0.14 MPa, 1.4 bar)	
Ingress Protection	IP66, NEMA 4X(ATEX, IECEx) (excluding the pressure gauges)	
Weight	2.7 kg (6.1 lb)	
Lever Type	<input type="checkbox"/> 10 to 40 mm	<input type="checkbox"/> 30 to 70 mm
	<input type="checkbox"/> 60 to 100 mm	<input type="checkbox"/> 100 to 150 mm
Housing Material	Aluminum	
Painting	Polyester Powder Coating	



No.	Part name	Material	Q'ty	Remark
1	Base body	ALDC12	1	
2	Base cover	ALDC12	1	
3	IA connector	ALDC12	1	
4	Feedback lever	STS304	1	
5	Pressure gauge	STS304	1	4 1/8 NPT

SURFACE TEXTURE	PRODUCT NAME	E/P Positioner		PROJECT NAME
FINISH TREATMENT	MODEL	YT-1000L		
MATERIAL	PROJECTION	SCALE	rotork Rotork YTC Limited	
OTHERWISE NOTE	GENERAL TOLERANCE	QUANTITY	SHEET No.	GMPO-SI, KOREA
		1	1 / 1	TITLE
				Linear, IA connector type
				DRAWING NO.
				4 YT-1000L-01
				REV.
				4