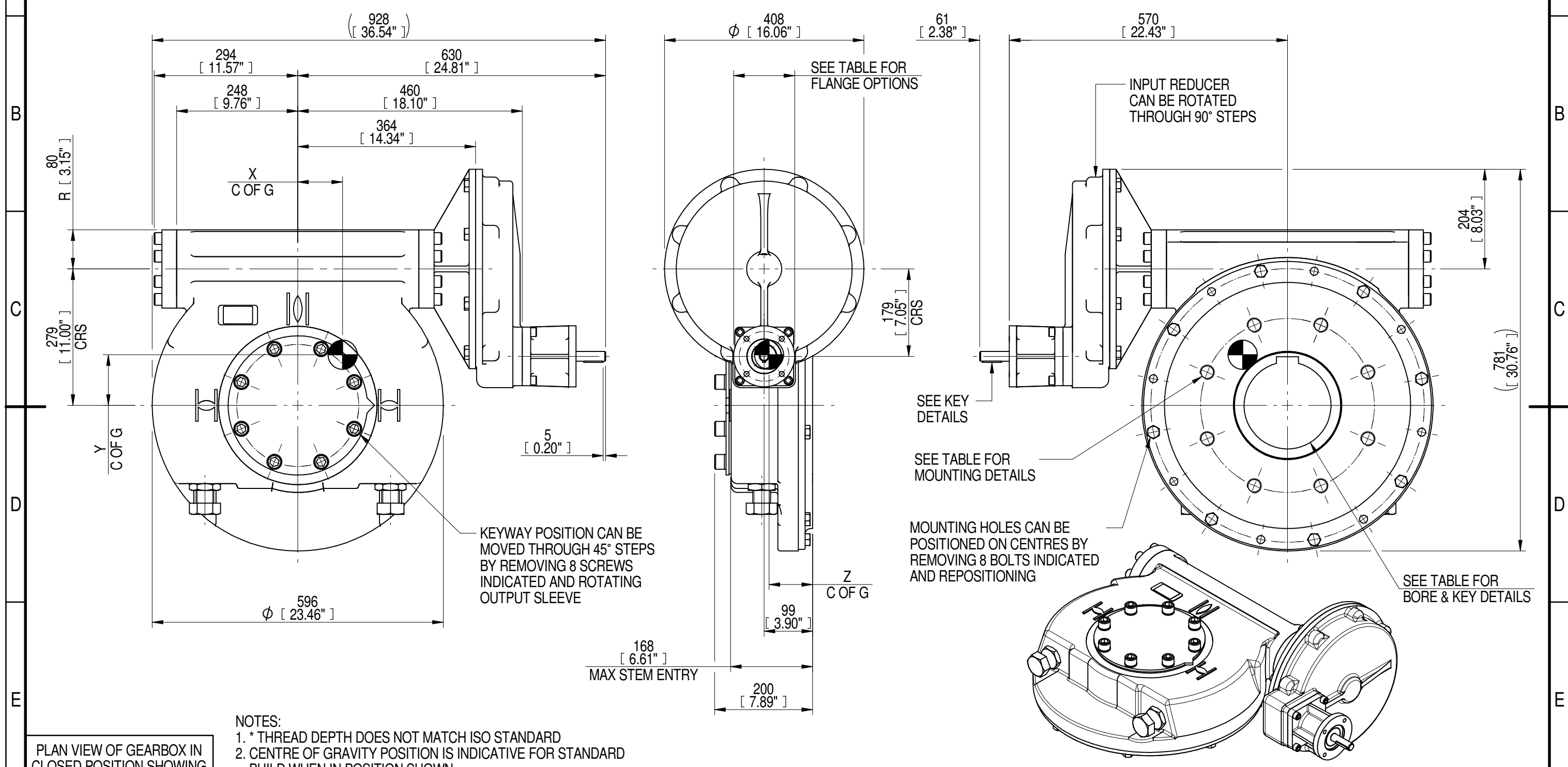
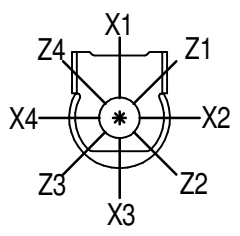


| INPUT FLANGE DETAILS | | | | | | | MOUNTING HOLES - BOLT CIRCLE (OFF CENTRES) | | | | | | | | |
|----------------------|-------------------------------|---------------------------------|---------------------------------|--------------|---|-------------------------------|--|---|----------|----------|-----------------|-------------|--------------------|----------------|-----------------|
| INPUT FLANGE | FLANGE O/DIA. + THICKNESS | SHAFT DIA. | RECESS DIA. | RECESS DEPTH | HOLE DETAILS (45° OFF CENTRES) | KEY DETAILS | ISO 5211 / MSS SP-101 MOUNTING OPTION | HOLE DETAILS (22.5° OFF CENTRES) | STANDARD | MIN BORE | SQ KEY MAX BORE | SQ KEY SIZE | RECT. KEY MAX BORE | RECT. KEY SIZE | SQ BORE MAX |
| ISO F10 | Ø125 x 15 (Ø4.92" x 0.59") | Ø20.00-0.05 (Ø0.787"-0.002") | Ø70.05+0.15 (Ø2.758"+0.006") | 4 (0.16") | 4 x Ø10.5 ON Ø102.0 P.C. (4 x Ø0.41" ON Ø4.02" P.C.) | 6x6x40 (0.24"x0.24"x1.57") | ISO F35* | 8 x M30 x 36 (1.42") DEEP ON Ø356.0 (Ø14.02") P.C. | BS4235 | - | - | - | 178 | 45 x 25 | □ 132.1 (5.20") |
| FA10 | | | BS46 | | | | | | - | - | - | 6.75" | 1.75" x 1.25" | | |
| | ANSI B17.1 | - | 6.50" | 1.1/2" SQ. | 6.50" | 1.5" x 1" | | | | | | | | | |
| | DIN 6885 | - | - | - | 178 | 45 x 25 | | | | | | | | | |



NOTES:
 1. * THREAD DEPTH DOES NOT MATCH ISO STANDARD
 2. CENTRE OF GRAVITY POSITION IS INDICATIVE FOR STANDARD BUILD WHEN IN POSITION SHOWN

PLAN VIEW OF GEARBOX IN CLOSED POSITION SHOWING STANDARD KEYWAY POSITIONS. ALTERNATIVES AVAILABLE ON REQUEST



| RATIO | TURNS TO CLOSE | M.A. ± 10% | WEIGHT (Kg) | MAX OUTPUT (Nm) | MAX INPUT (Nm) | X | Y | Z |
|-------------|----------------|------------|-------------|-----------------|----------------|-------------------|-----|----|
| 720 | 180 | 285 | 285 | 48809 | 171 | 94 | 107 | 89 |
| 540 | 135 | 214 | 283 | 48809 | 228 | 92 | 105 | 89 |
| 480 | 120 | 189 | 282 | 48809 | 258 | 91 | 105 | 89 |
| 360 | 90 | 142 | 283 | 48809 | 344 | 92 | 105 | 89 |
| 240 | 60 | 95 | 283 | 48809 | 514 | 93 | 105 | 89 |
| 180 | 45 | 71 | 283 | 48809 | 687 | 92 | 104 | 89 |
| DESCRIPTION | | | TORQUE | | | CENTRE OF GRAVITY | | |

AS PART OF CONTINUOUS PRODUCT DEVELOPMENT, ALL DETAILS SUBJECT TO CHANGE WITHOUT PRIOR NOTICE. FOR UP TO DATE DETAILS PLEASE VISIT www.rotork.com

| | | | |
|--|---|--|------------|
| | Document Type PUBLICITY | Title IW/MOW9 QUARTER TURN GEARBOX, 180/240/360/480/540/720 : 1, F10/ FA10 INPUT : F35/ FA35 OUTPUT Drawing Number PUB-IW9FBIR2-F10-F35 | Iss. 01 |
| | Dimensions in mm | | |
| LEEDS - UK www.rotork.com | This drawing is confidential and is the property of Rotork Gears and must not be reproduced either wholly or partly. All rights in respect of patents, designs and copyrights are reserved. ©2016 | | |