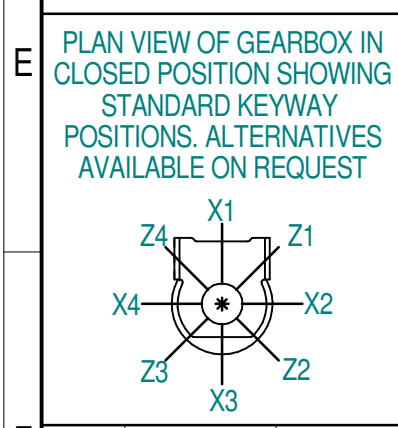
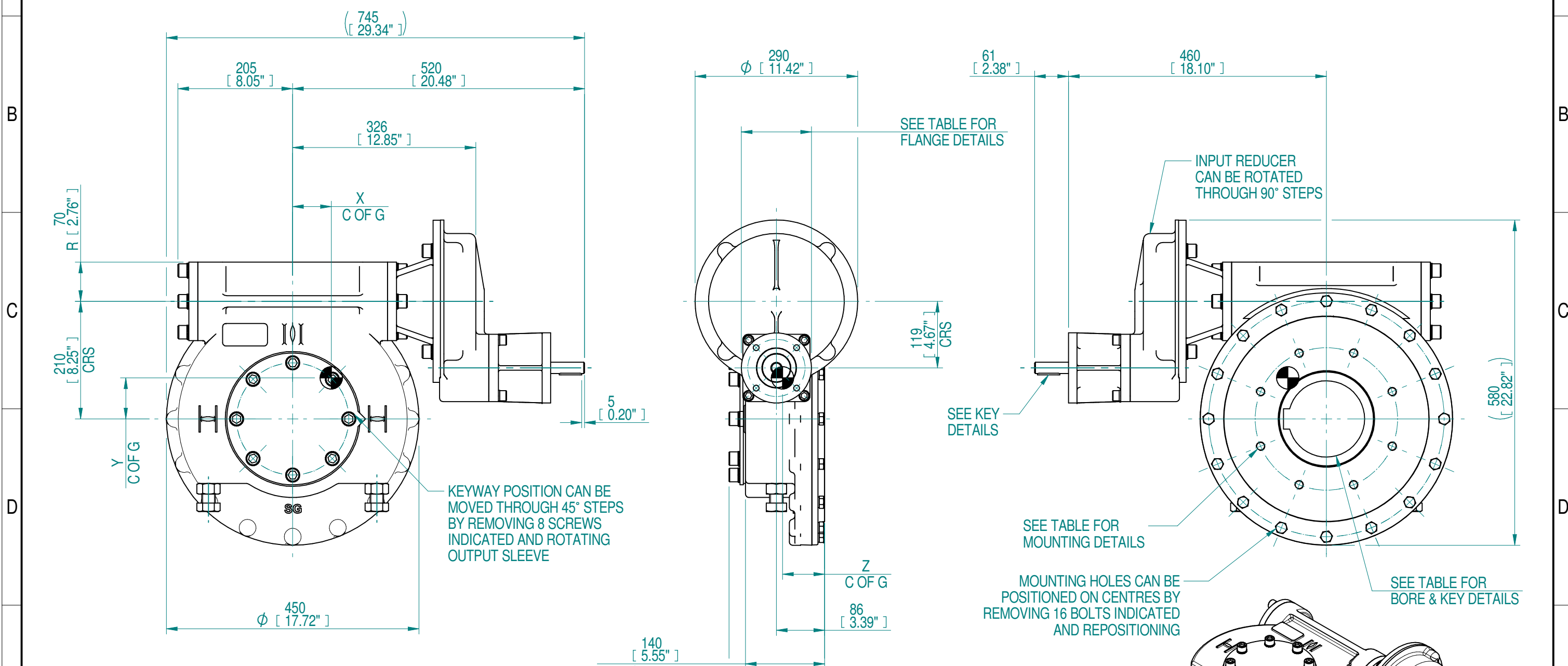


1	2		3		4		5		6		7		8				
INPUT FLANGE DETAILS					MOUNTING HOLES - BOLT CIRCLE (OFF CENTRES)					STEM ACCEPTANCE IN ACCORDANCE TO STANDARD							
INPUT FLANGE	FLANGE O/DIA.	SHAFT DIA.	RECESS DIA.	RECESS DEPTH	HOLE DETAILS (OFF CENTRES)	KEY DETAILS	ISO 5211 / MSS SP-101 MOUNTING OPTION	HOLE DETAILS (OFF CENTRES)	MAX OUTSIDE DIA. INCLUDING DRILLED HOLES	MIN INSIDE DIA. INCLUDING DRILLED HOLES	SQ BORE MAX	STANDARD	MIN BORE	SQ KEY MAX BORE	SQ KEY SIZE	RECT. KEY MAX BORE	RECT KEY SIZE
ISO F10	Ø125 x 15 (Ø4.92" x 0.590")	Ø20.00-0.05 (Ø0.787"-0.002")	Ø70.05+0.15 (Ø2.758"+0.006")	4 (0.16")	4 x Ø10.5 ON Ø102.0 P.C. (4 x Ø0.41" ON Ø4.02" P.C.)	6x6x40 (0.24"x0.24"x1.57")	ISO F25*	8 x M16 x 24 (0.94") DEEP ON Ø254.0 (Ø10.00") P.C.	Ø336 (13.23")	Ø197 (7.73")	□ 108.8 (4.28")	BS4235	-	-	-	136	36 x 20
FA10			Ø58.70+0.15 (Ø2.311"+0.006")				8 x 5/8" UNC x 24 (0.94") DEEP ON Ø254.0 (Ø10.00") P.C.	ANSI B17.1				-	4.875"	1 1/4" SQ.	5.125"	1 1/2" x 1"	
												DIN 6885	-	-	-	136	36 x 20



- NOTES:
- OTHER INPUT AND OUTPUT OPTIONS AVAILABLE - SEE 'IW GEARBOX BROCHURE' AT WWW.ROTORK.COM FOR FURTHER DETAILS.
  - CENTRE OF GRAVITY POSITION IS INDICATIVE FOR STANDARD BUILD WHEN IN POSITION SHOWN.
  - \* THREAD DEPTH DOES NOT MATCH ISO STANDARD.
  - WEIGHT AND C OF G DIMENSIONS WILL VARY +/-1% DEPENDING ON RATIO.

384	96	120			167			
262	66	82	136	20000	244	69	73	75
192	48	60			333			
130	33	41			493			
RATIO	TURNS TO CLOSE	M.A. (±10%)	WEIGHT (KG)	MAX OUTPUT (Nm)	MAX INPUT (Nm)	X	Y	Z
DESCRIPTION			TORQUE			CENTRE OF GRAVITY		

Rev	ECN	Revised	Rev. Approved	Date	Change Description
0-1		J.Dickinson	J.Dickinson	2019-11-12	Include secondary units

AS PART OF CONTINUOUS PRODUCT DEVELOPMENT, ALL DETAILS SUBJECT TO CHANGE WITHOUT PRIOR NOTICE. FOR UP TO DATE DETAILS PLEASE VISIT [www.rotork.com](http://www.rotork.com)

**rotork** Gears  
Leeds - UK  
[www.rotork.com](http://www.rotork.com)

©2019 Rotork Group of Companies. All rights reserved. This document and its contents may not be reproduced, distributed, transmitted, displayed, published, or broadcast, in whole, or in part, without the prior, express written permission of Rotork Group of Companies.

Dimensions in mm  
Scale 1:7

Title **IW72 IR2S QUARTER TURN GEARBOX**

Created S.Monish 2019-09-25  
Checked V.G.Balaji 2019-10-09  
Approved J.Dickinson 2019-11-07

Drawing Number **PUB-IW72-IR2S**  
Rev 0-1

Nominal Mass **SEE TABLE** Size A3 Sheet 1 of 1

Template Issue - 2018-05-10