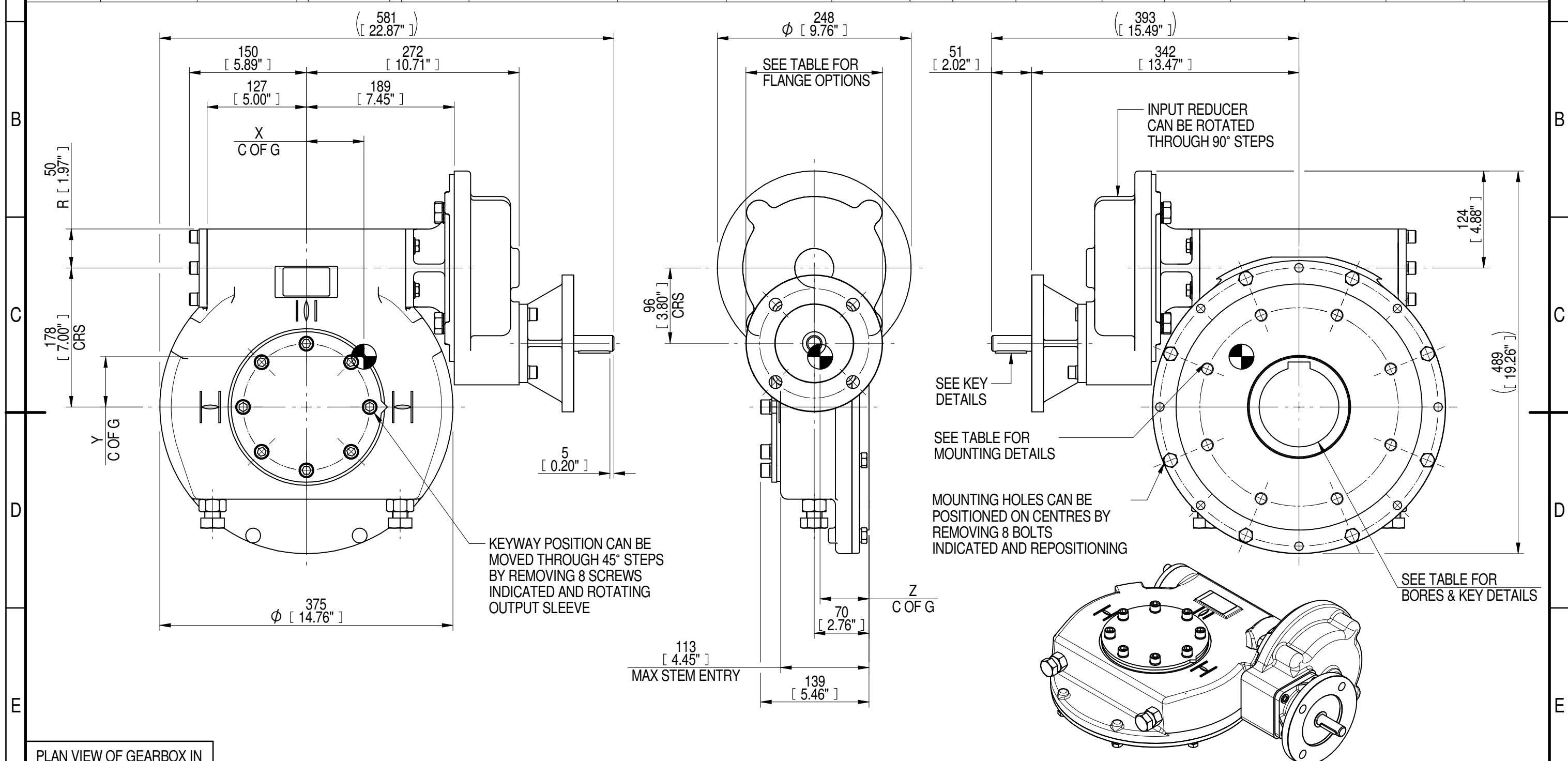


INPUT FLANGE DETAILS							MOUNTING HOLES - BOLT CIRCLE (OFF CENTRES)								
INPUT FLANGE	FLANGE O/DIA. + THICKNESS	SHAFT DIA.	RECESS DIA.	RECESS DEPTH	HOLE DETAILS (45° OFF CENTRES)	KEY DETAILS	ISO 5211 / MSS SP-101 MOUNTING OPTION	HOLE DETAILS (22.5° OFF CENTRES)	STANDARD	MIN BORE	SQ KEY MAX BORE	SQ KEY SIZE	RECT. KEY MAX BORE	RECT. KEY SIZE	SQ BORE MAX
ISO F14	Ø175 x 15 (Ø8.89" x 0.59")	Ø20.00-0.05 (Ø0.787"-0.002")	Ø100.05+0.15 (Ø3.939"+0.006")	5 (0.20")	4 x Ø16.5 ON Ø140.0 P.C. (4 x Ø0.65" ON Ø5.51" P.C.)	6x6x40 (0.24"x0.24"x1.57")	ISO F25*	8 x M16 x 16 (0.63") DEEP ON Ø254.0 (Ø10.00") P.C.	BS4235	-	-	-	102	28 x 16	□ 83.3 (3.28")
FA14			FA25*				8 x 5/8" UNC x 16 (0.63") DEEP ON Ø254.0 (Ø10.00") P.C.		ANSI B17.1	-	3.75"	7/8" SQ.	3.875"	1" x 3/4"	
		Ø95.25+0.15 (Ø3.750"+0.006")						DIN 6885	-	-	-	102	28 x 16		



PLAN VIEW OF GEARBOX IN CLOSED POSITION SHOWING STANDARD KEYWAY POSITIONS. ALTERNATIVES AVAILABLE ON REQUEST



NOTES:
 1. * THREAD DEPTH DOES NOT MATCH ISO STANDARD
 2. CENTRE OF GRAVITY POSITION IS INDICATIVE FOR STANDARD BUILD WHEN IN POSITION SHOWN

420	105	132	83	11000	83	74	65	63
350	88	110	83	11000	100	74	64	63
RATIO	TURNS TO CLOSE	M.A. ± 10%	WEIGHT (Kg)	MAX OUTPUT (Nm)	MAX INPUT (Nm)	X	Y	Z
DESCRIPTION				TORQUE		CENTRE OF GRAVITY		

AS PART OF CONTINUOUS PRODUCT DEVELOPMENT, ALL DETAILS SUBJECT TO CHANGE WITHOUT PRIOR NOTICE. FOR UP TO DATE DETAILS PLEASE VISIT www.rotork.com

	This drawing is confidential and is the property of Rotork Gears and must not be reproduced either wholly or partly. All rights in respect of patents, designs and copyrights are reserved. ©2016	Document Type PUBLICITY	Title IW/MOW63 QUARTER TURN GEARBOX, 350/420:1 F14/ FA14 INPUT : F25/ FA25 OUTPUT
	LEEDS - UK www.rotork.com	Dimensions in mm	Drawing Number PUB-IW63FBIRL-F14-F25
		Sheet 1 of 1	Size A3