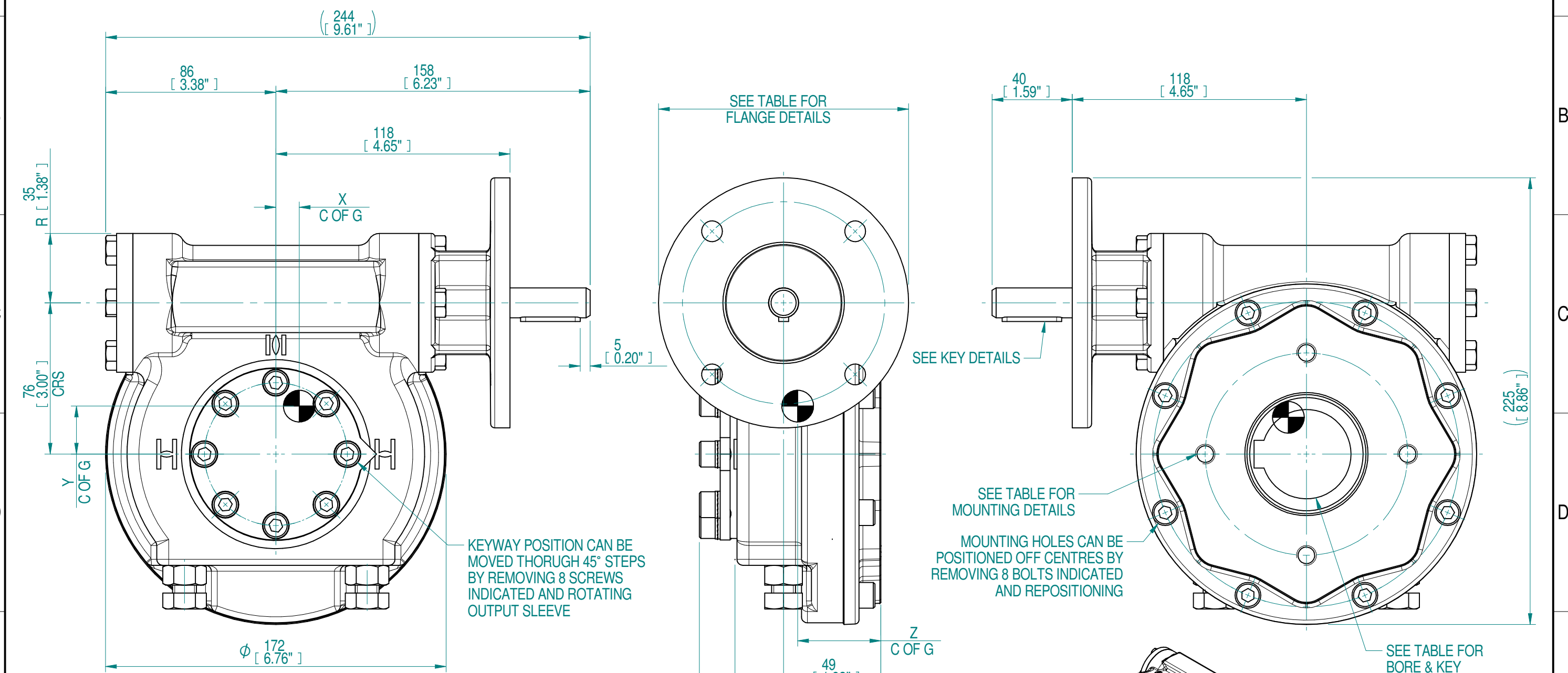


INPUT FLANGE DETAILS		MOUNTING HOLES - BOLT CIRCLE (OFF CENTRES)				STEM ACCEPTANCE IN ACCORDANCE TO STANDARD											
INPUT FLANGE	FLANGE O/DIA.	SHAFT DIA.	RECESS DIA.	RECESS DEPTH	HOLE DETAILS (OFF CENTRES)	KEY DETAILS	ISO 5211 / MSS SP-101 MOUNTING OPTION	HOLE DETAILS (OFF CENTRES)	MAX OUTSIDE DIA. INCLUDING DRILLED HOLES	MIN INSIDE DIA. INCLUDING DRILLED HOLES	SQ BORE MAX	STANDARD	MIN BORE	SQ KEY MAX BORE	SQ KEY SIZE	RECT. KEY MAX BORE	RECT KEY SIZE
ISO F10	Ø126 x 10 (Ø4.96" x 0.38")	Ø15.00-0.07 (Ø0.591"-0.003")	Ø70.05+0.15 (Ø2.758"+0.006")	4 (0.16")	4 x Ø10.5 ON Ø102.0 P.C. (4 x Ø0.41" ON Ø4.02" P.C.)	5x5x30 (0.20"x0.20"x1.18")	ISO F10*	4 x M10 x 18 (0.71") DEEP ON Ø102.0 (Ø4.02") P.C.	Ø138 (5.43")	Ø75 (2.95")	□ 36(1.42")	BS4235	-	-	-	45.0	14 x 9
FA10			4 x 3/8" UNC x 18 (0.71") DEEP ON Ø102.0 (Ø4.02") P.C.				ANSI B17.1	-				1.625"	7/16" SQ.	1.75"	7/16" x 5/16"		
			Ø58.70+0.15 (Ø2.311"+0.006")				FA10*					DIN 6885	-	-	-	45.0	14 x 9



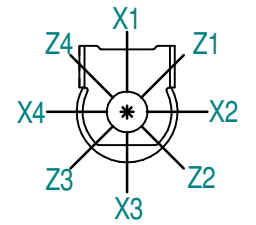
KEYWAY POSITION CAN BE MOVED THOROUGH 45° STEPS BY REMOVING 8 SCREWS INDICATED AND ROTATING OUTPUT SLEEVE

SEE KEY DETAILS

SEE TABLE FOR MOUNTING DETAILS  
MOUNTING HOLES CAN BE POSITIONED OFF CENTRES BY REMOVING 8 BOLTS INDICATED AND REPOSITIONING

SEE TABLE FOR BORE & KEY DETAILS

PLAN VIEW OF GEARBOX IN CLOSED POSITION SHOWING STANDARD KEYWAY POSITIONS. ALTERNATIVES AVAILABLE ON REQUEST



- NOTES:
- OTHER INPUT AND OUTPUT OPTIONS AVAILABLE - SEE 'IW GEARBOX BROCHURE' AT WWW.ROTORK.COM FOR FURTHER DETAILS.
  - CENTRE OF GRAVITY POSITION IS INDICATIVE FOR STANDARD BUILD WHEN IN POSITION SHOWN.
  - \* THREAD DEPTH DOES NOT MATCH ISO STANDARD.
  - WEIGHT AND C OF G DIMENSIONS WILL VARY +/-1% DEPENDING ON RATIO.

40	10	15	11	1085	72	12	24	42
70	18	23		813	35			
RATIO	TURNS TO CLOSE	M.A. (±10%)	WEIGHT (KG)	MAX OUTPUT (Nm)	MAX INPUT (Nm)	CENTRE OF GRAVITY		
DESCRIPTION				TORQUE				

Rev	ECN	Revised	Rev. Approved	Date	Change Description
0-1		J.Dickinson	J.Dickinson	2019-11-12	Include secondary units

AS PART OF CONTINUOUS PRODUCT DEVELOPMENT, ALL DETAILS SUBJECT TO CHANGE WITHOUT PRIOR NOTICE. FOR UP TO DATE DETAILS PLEASE VISIT [www.rotork.com](http://www.rotork.com)

**rotork** Gears  
Leeds - UK  
[www.rotork.com](http://www.rotork.com)

©2019 Rotork Group of Companies. All rights reserved. This document and its contents may not be reproduced, distributed, transmitted, displayed, published, or broadcast, in whole, or in part, without the prior, express written permission of Rotork Group of Companies.

Dimensions in mm  
Scale 1:2  
Title IW3 N

Created	S.Monish	2019-10-09	Drawing Number	Rev
Checked	V.G.Balaji	2019-10-15	<b>PUB-IW3-N</b>	0-1
Approved	J.Dickinson	2019-11-08	Nominal Mass <b>SEE TABLE</b>	Size A3 Sheet 1 of 1