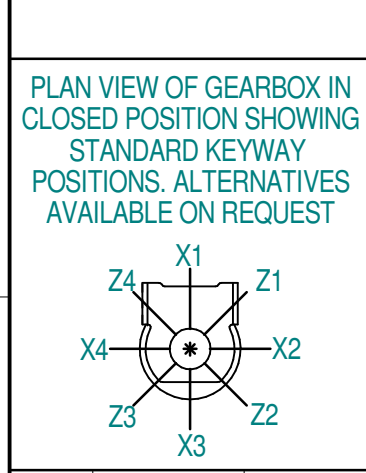
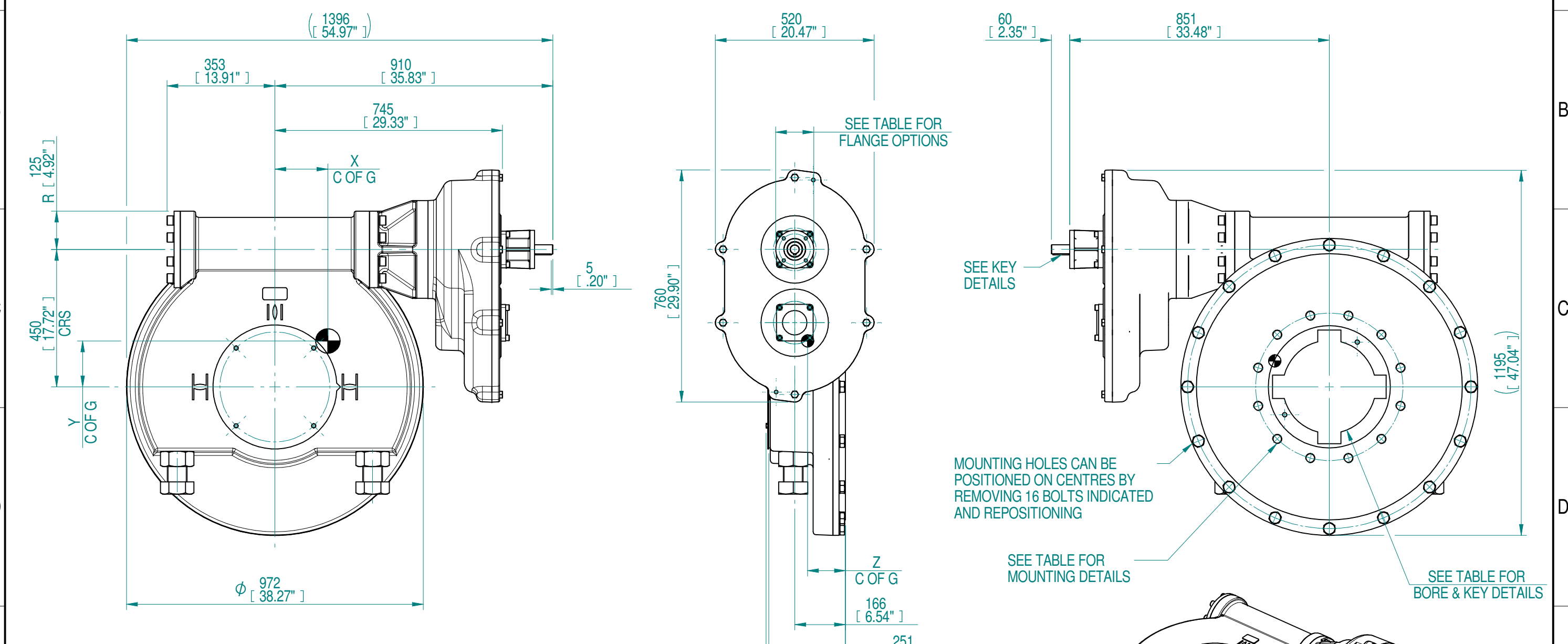


INPUT FLANGE DETAILS			MOUNTING HOLES - BOLT CIRCLE (OFF CENTRES)				STEM ACCEPTANCE IN ACCORDANCE TO STANDARD										
INPUT FLANGE	FLANGE O/DIA.	SHAFT DIA.	RECESS DIA.	RECESS DEPTH	HOLE DETAILS (OFF CENTRES)	KEY DETAILS	ISO 5211 / MSS SP-101 MOUNTING OPTION	HOLE DETAILS (OFF CENTRES)	MAX OUTSIDE DIA. INCLUDING DRILLED HOLES	MIN INSIDE DIA. INCLUDING DRILLED HOLES	SQ BORE MAX	STANDARD	MIN BORE	SQ KEY MAX BORE	SQ KEY SIZE	RECT. KEY MAX BORE	RECT KEY SIZE
ISO F10	Ø125 x 15 (Ø4.92" x 0.590")	Ø30-0.05 (Ø1.81"-0.002")	Ø70.05+0.15 (Ø2.758"+0.006")	4 (0.16")	4 x Ø10.5 ON Ø102.0 P.C. (4 x Ø0.41" ON Ø4.02" P.C.)	8x7x55 (0.31"x0.27"x2.16")	ISO F48*	12 x M36 x 36 (1.42") DEEP ON Ø483.0 (Ø19.02") P.C.	Ø835 (32.87")	Ø436 (17.16")	□ 229.5 (9.03")	BS4235	-	-	-	305	70 x 36
FA10			12 x 1.25" UNC x 36 (1.42") DEEP ON Ø482.6 (Ø19.00") P.C.				ANSI B17.1	-				11.75"	3" SQ.	12"	3" x 2"		
			Ø58.70+0.15 (Ø2.311"+0.006")				FA48*					DIN 6885	-	-	-	305	70 x 36



- NOTES:
- OTHER INPUT AND OUTPUT OPTIONS AVAILABLE - SEE 'IW GEARBOX BROCHURE' AT WWW.ROTORK.COM FOR FURTHER DETAILS.
 - CENTRE OF GRAVITY POSITION IS INDICATIVE FOR STANDARD BUILD WHEN IN POSITION SHOWN.
 - * THREAD DEPTH DOES NOT MATCH ISO STANDARD.
 - WEIGHT AND C OF G DIMENSIONS WILL VARY +/-1% DEPENDING ON RATIO.

1120	280	395			514			
840	210	296			685			
708	177	250			813			
560	140	198	1058	203000	1028	173	150	124
420	105	148			1370			
280	70	99			2055			
RATIO	URNS TO CLOSE	M.A. ± 10%	WEIGHT (KG)	MAX OUTPUT (Nm)	MAX INPUT (Nm)	X	Y	Z
DESCRIPTION								
CENTRE OF GRAVITY								

Rev	ECN	Revised	Rev. Approved	Date	Change Description
0-0		S.Monish	J.Dickinson	2019-11-12	First issue

AS PART OF CONTINUOUS PRODUCT DEVELOPMENT, ALL DETAILS SUBJECT TO CHANGE WITHOUT PRIOR NOTICE. FOR UP TO DATE DETAILS PLEASE VISIT www.rotork.com

rotork Gears
LEEDS - UK
www.rotork.com

©2019 Rotork Group of Companies. All rights reserved. This document and its contents may not be reproduced, distributed, transmitted, displayed, published, or broadcast, in whole, or in part, without the prior, express written permission of Rotork Group of Companies.

Dimensions in mm
Scale 1:13

Title **IW13 IR4 QUARTER TURN GEARBOX 12" BORE IR RATIO**

Created S.Monish 2019-10-15
Checked V.G.Balaji 2019-10-15
Approved J.Dickinson 2019-11-12

Drawing Number **PUB-IW13-IR4-2**
Rev 0-0

Nominal Mass **SEE TABLE** Size A3 Sheet 1 of 1