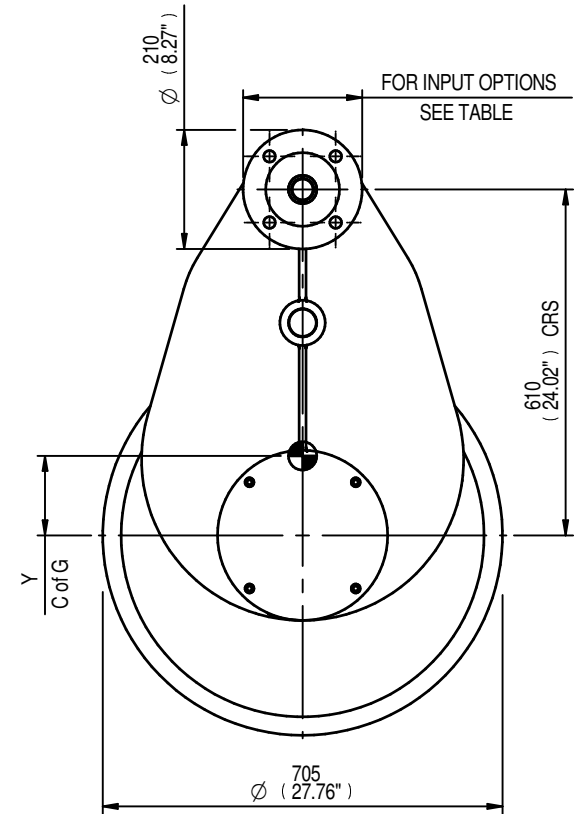
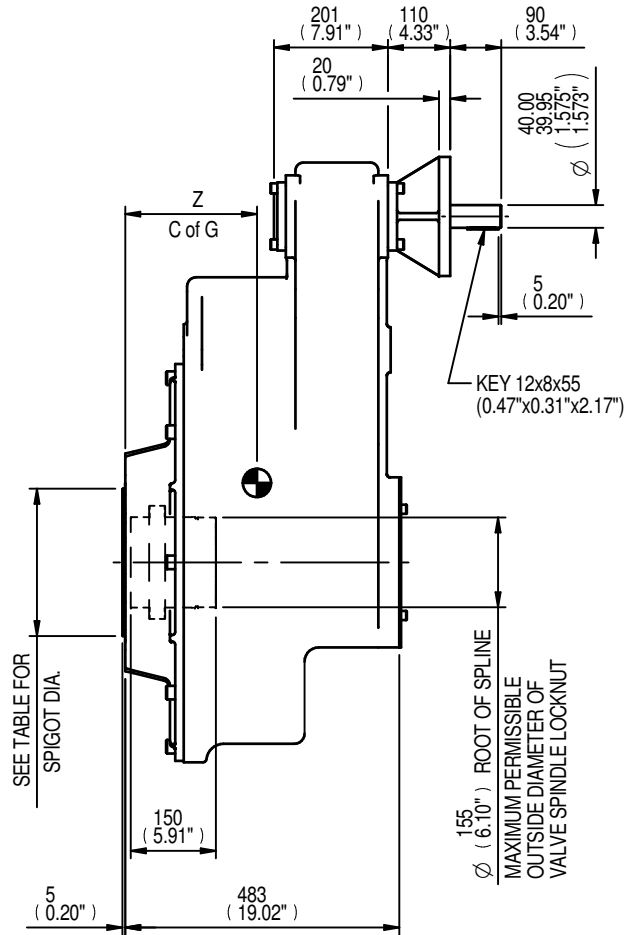


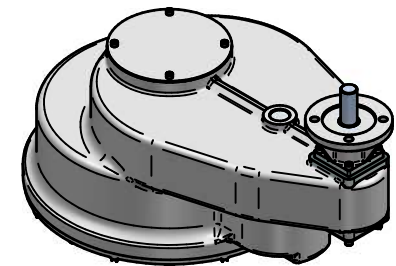
MOUNTING HOLES CAN BE POSITIONED ON CTRS BY REMOVING 8 BOLTS INDICATED AND REPOSITIONING



RATIO	M.A.	C.O.G.			MAX. OUTPUT TORQUE Nm (lbs.ft)
		X	Y	Z	
15	13.650	0	132	237	43386 (32000)
24	21.680	0	128	239	43386 (32000)

MAX BORE SQ KEY			MAX BORE RECTANGULAR KEY			MAX STEM SCREW ACCEPTANCE DIA
STD	BORE	KEY	STD	BORE	KEY	
BS4235	-	-	BS4235	121.0	32x18	127(5.000")
BS46	4.500" 1 1/4" SQ	BS46	4.625"	1 1/4"x7/8"		
ANSI B17.1	4.500" 1" SQ	ANSI B17.1	4.625"	1 1/4"x7/8"		

INPUT FLANGE DETAILS						BASEPLATE DETAILS			
ISO	FLANGE	SHAFT	RECESS	RECESS	HOLE DETAILS	KEY	ISO F35	HOLE DETAILS (22.5° OFF CENTRES)	
	O/DIA. & THICKNESS	DIA.	DIA.	DEPTH	45°(OFF CENTRES)			DETAILS	SPIGOT DIA.
F16	Ø210 x 20 (Ø8.27" x 0.79")	Ø40.00-0.05 (Ø1.575"-0.002")	Ø130.05+0.05 (Ø5.120"+0.002")	5 (0.20")	4 HOLES Ø20.5 (Ø0.81") ON Ø165.0 (Ø6.50") P.C	12x8x55 (0.47"x0.31"x2.17")	FA35	Ø259.95-0.05 (Ø10.234"-0.002")	8 HOLES M30x40 (1.57") DEEP ON Ø356.0 (Ø14.02") P.C.
	FA16	Ø210 x 20 (Ø8.27" x 0.79")	Ø40.00-0.05 (Ø1.575"-0.002")	Ø126.92+0.05 (Ø4.997"+0.002")	5 (0.20")	4 HOLES Ø20.5 (Ø0.81") ON Ø165.0 (Ø6.50") P.C		12x8x55 (0.47"x0.31"x2.17")	Ø215.80-0.25 (Ø8.496"-0.008")



**rotork
gears**

IS17 GEARBOX
F16/FA16 INPUT F35/FA35 OUTPUT

DETAILS SUBJECT TO CHANGE WITHOUT PRIOR NOTICE

FOR UP TO DATE DETAILS VISIT www.rotork.com

APPROX WEIGHT 457.9 kg

DRAWING No	PUBIS17-F16-F35	9 Brown Lane West Holbeck Leeds LS12 6BH United Kingdom
ISSUE	B	
DATE	10/06/2011	