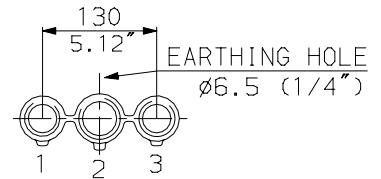
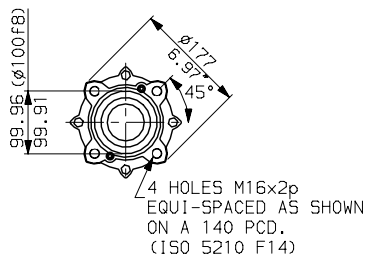
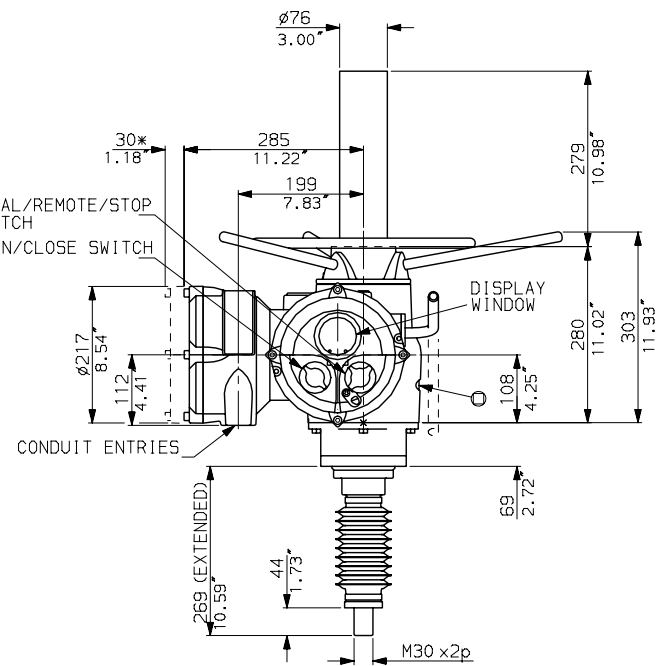
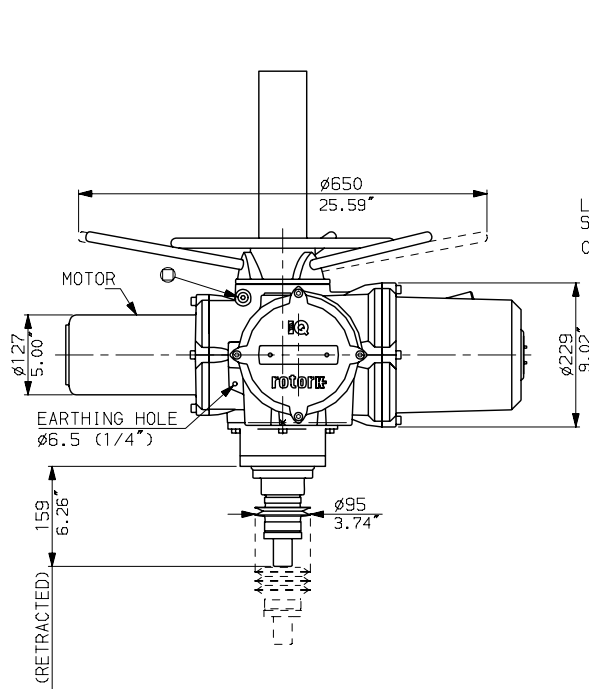


IQML20-25 WITH STANDARD TOP HANDWHEEL

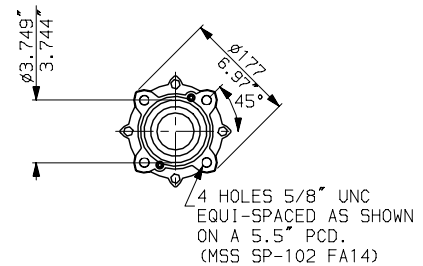
CONDUIT ENTRIES (N.T.S)



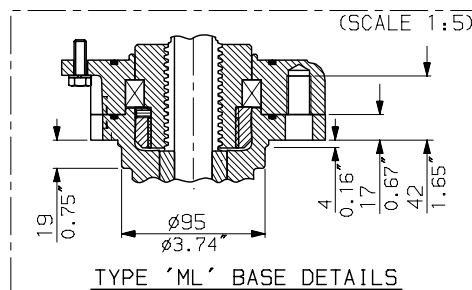
Nos.1 & 3 TAPPED 1" NPT
 No.2 TAPPED 1 1/2" NPT
 STANDARD ALTERNATIVES IF SPECIFIED
 2 X M25, 1 X M40
 2 X PG16, 1 X PG29



F14 BASE DETAILS



FA14 BASE DETAILS

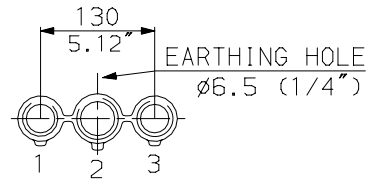


TYPE 'ML' BASE DETAILS

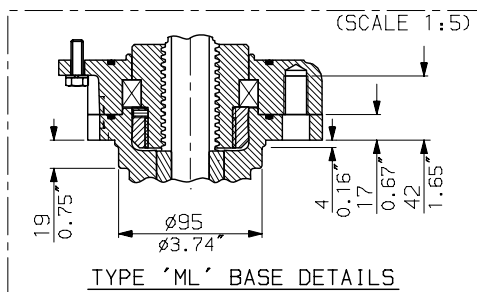
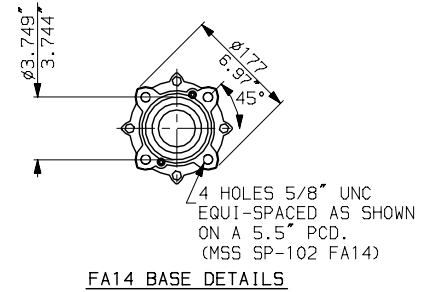
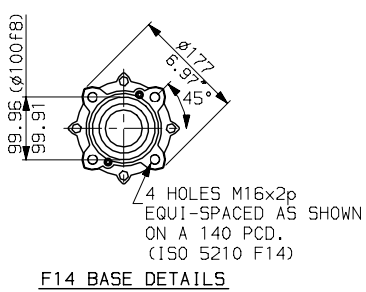
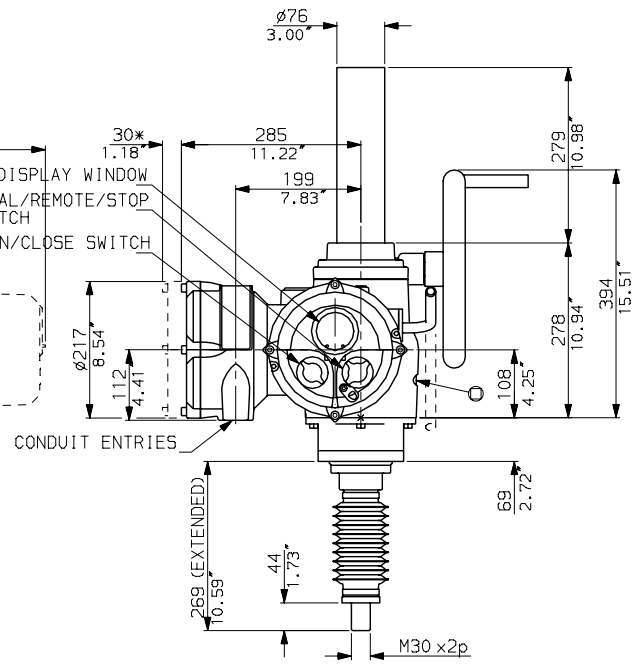
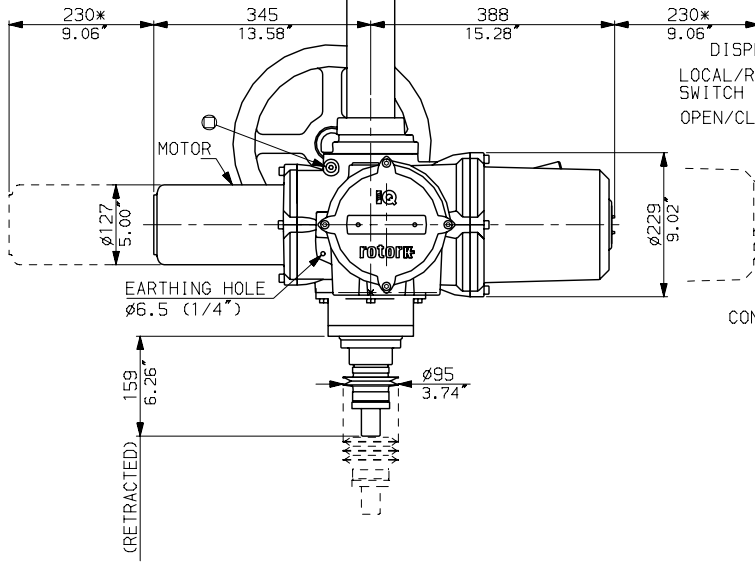
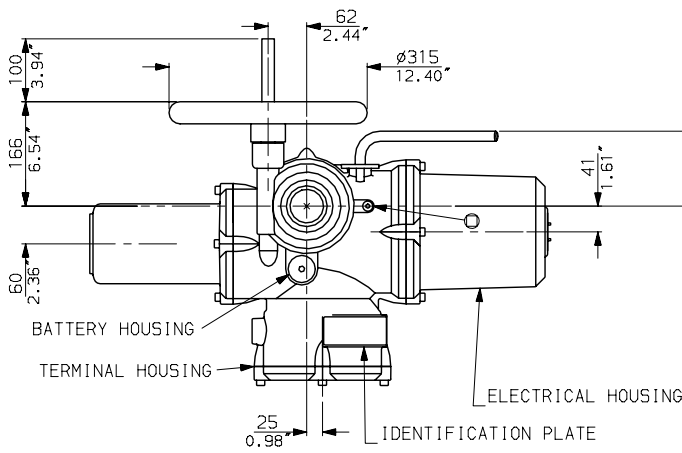
www.rotork.com
 IQML20 (THW) DATA
 Date 040510 Scale 1:12

IQML20-25 WITH OPTIONAL SIDE HANDWHEEL

CONDUIT ENTRIES (N.T.S)



Nos.1 & 3 TAPPED 1" NPT
 No.2 TAPPED 1 1/2" NPT
 STANDARD ALTERNATIVES IF SPECIFIED
 2 X M25, 1 X M40
 2 X PG16, 1 X PG29



www.rotork.com
 IQML20 (SHW) DATA
 Date 040510 Scale 1:12