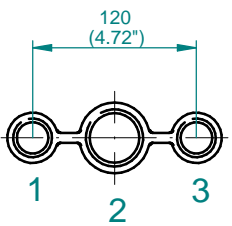
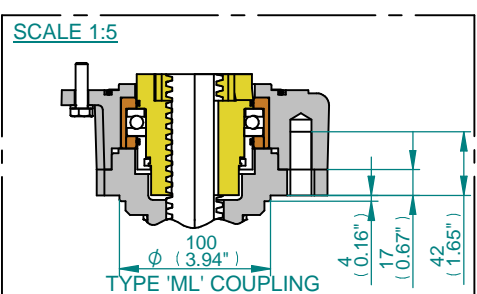


CONDUIT ENTRIES

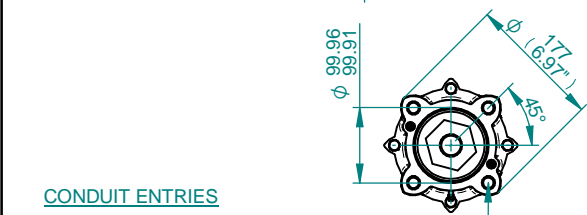
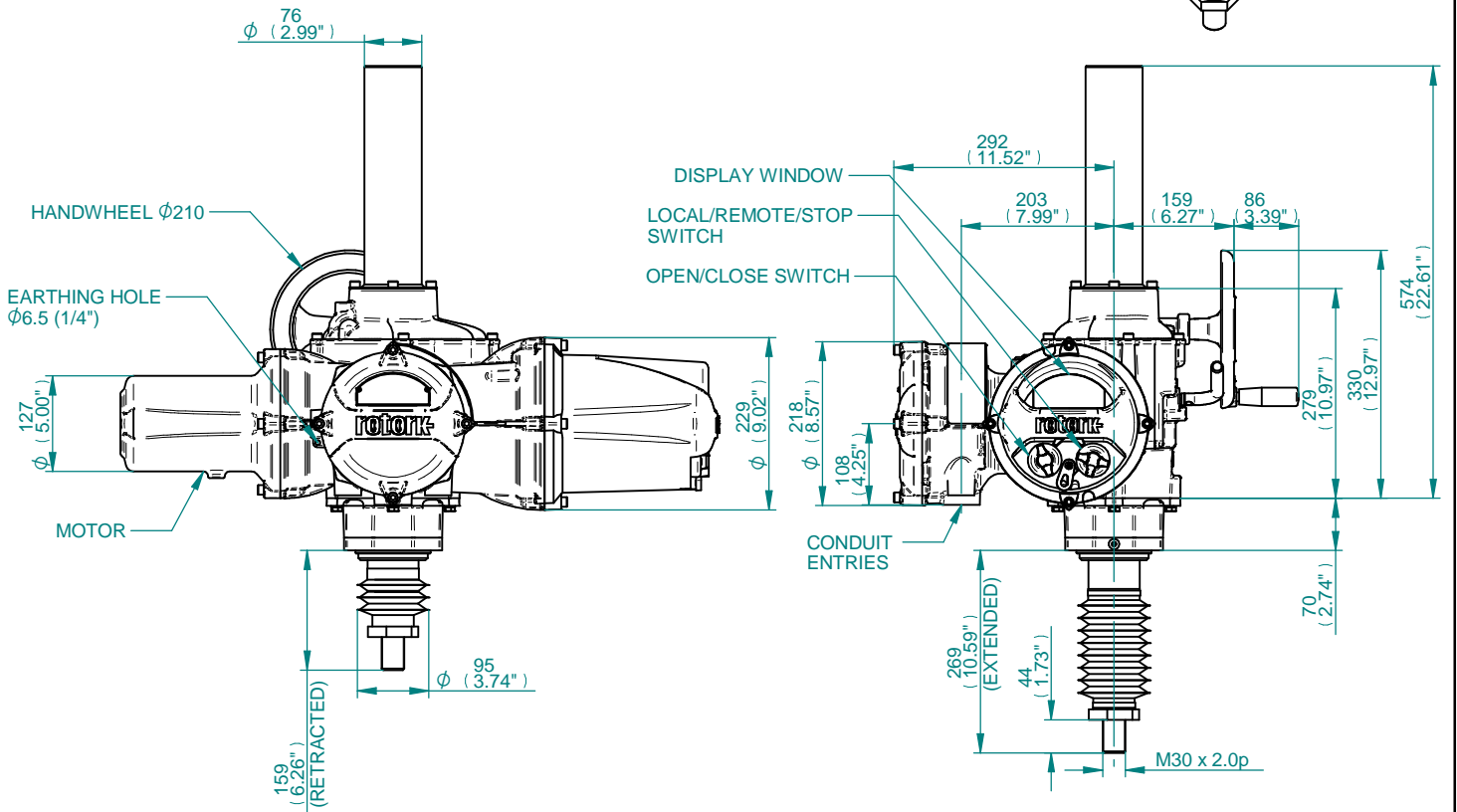
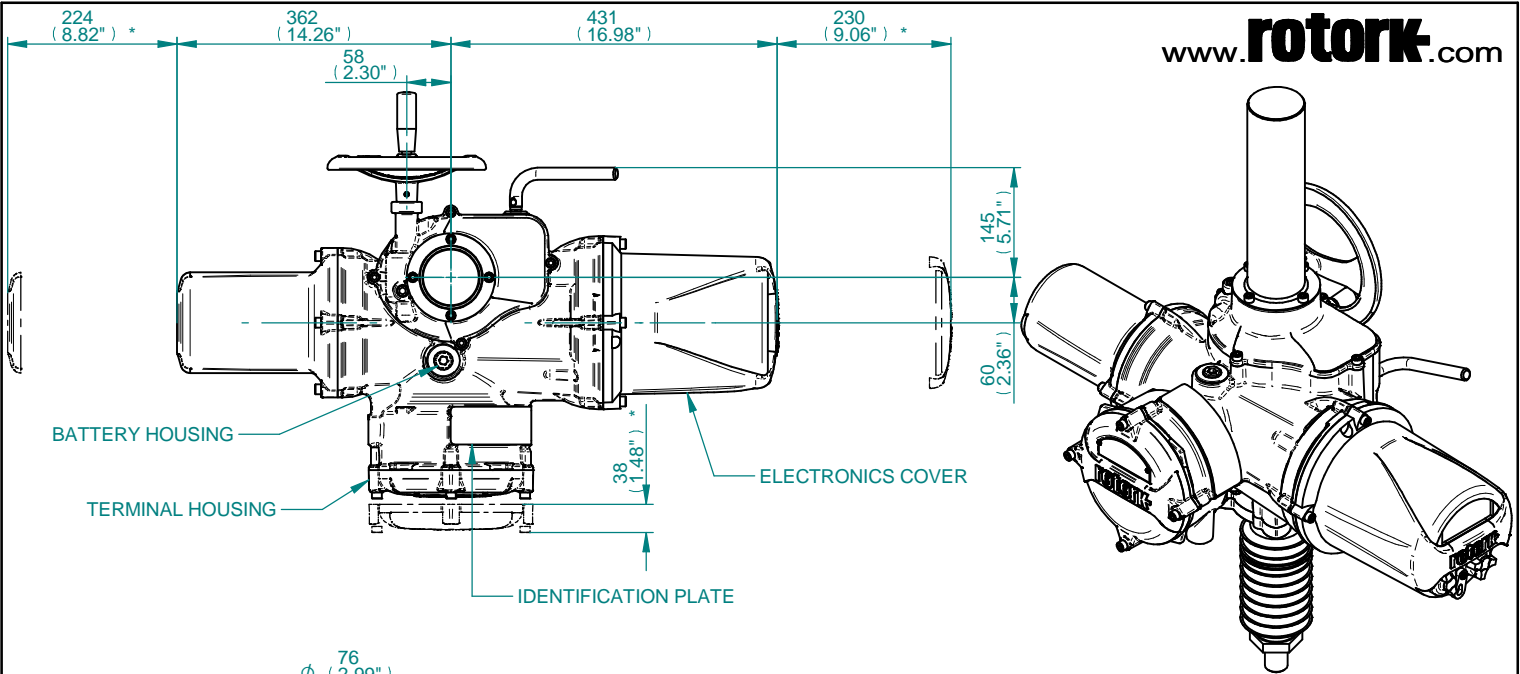


DEFAULT HOLE SIZES:
HOLES 1 & 3 TAPPED M25
HOLE 2 TAPPED M40



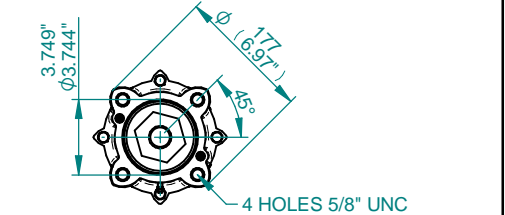
NOTES
1. STANDARD 110mm STROKE SHOWN
2. * REMOVAL ALLOWANCE REQUIRED

Title		Date	A4	Doc Number	Ver No	Scale	Sheet No
DIMENSIONAL DATA SHEET FOR IQ3 MODULATING LINEAR (SIZE 20) TOP HANDWHEEL		060813		IQ3-IQML2025	1	1:10	1 of 2



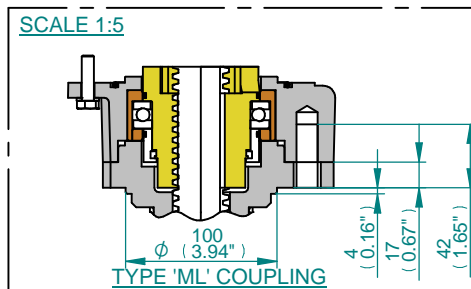
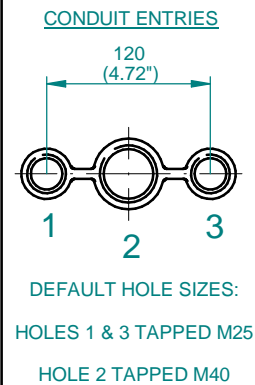
F14 BASE DETAILS

4 HOLES M16 x 2.0p
EQUI-SPACED AS SHOWN
ON A 140 PCD (ISO 5210 F14)



FA14 BASE DETAILS

4 HOLES 5/8" UNC
EQUI-SPACED AS SHOWN
ON A 5.5" PCD
(MSS SP 102 FA14)



- NOTES
- STANDARD 110mm STROKE SHOWN
 - * REMOVAL ALLOWANCE REQUIRED