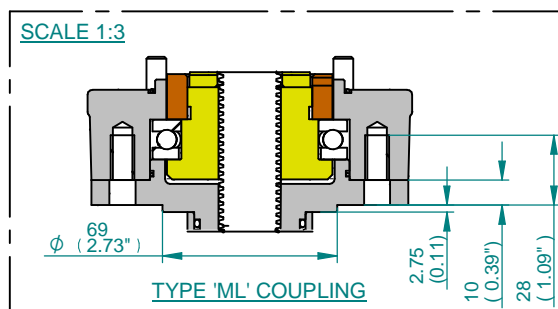
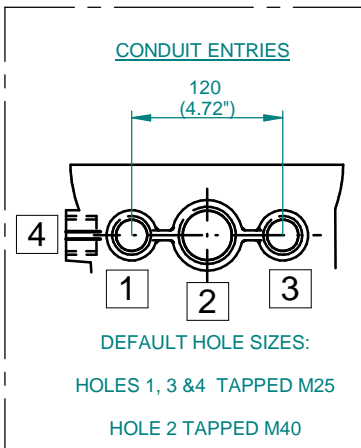


4 HOLES 3/8" UNC EQUI-SPACED AS SHOWN ON A 4" PCD (MSS SP-102 FA10)



- NOTES**
1. STANDARD 158mm STROKE SHOWN
  2. <sup>1</sup>\* REMOVAL ALLOWANCE REQUIRED

Title

DIMENSIONAL DATA SHEET FOR IQ3 MODULATING LINEAR (Size 10,12) TOP HANDWHEEL

Date  
010322

A4

Doc Number

IQ3-IQML1012

Ver No

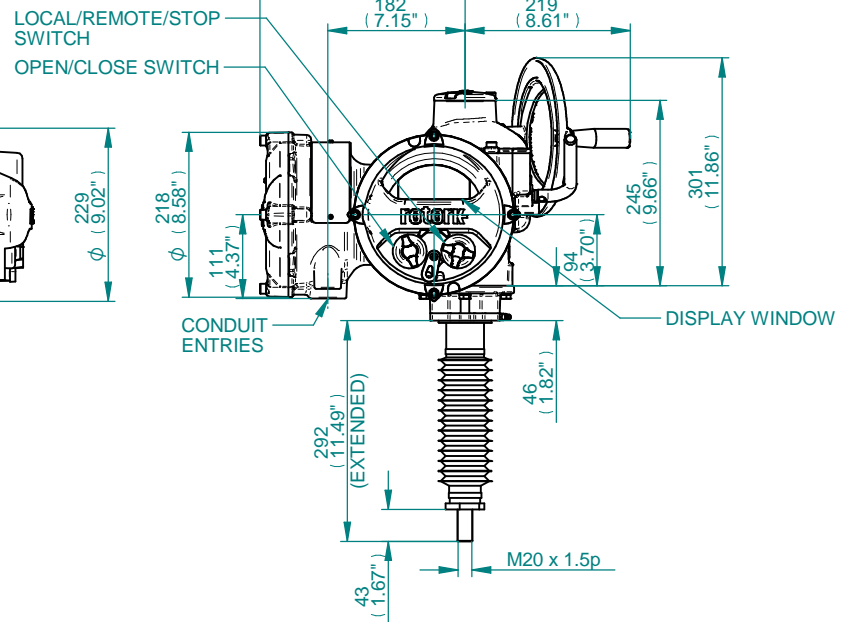
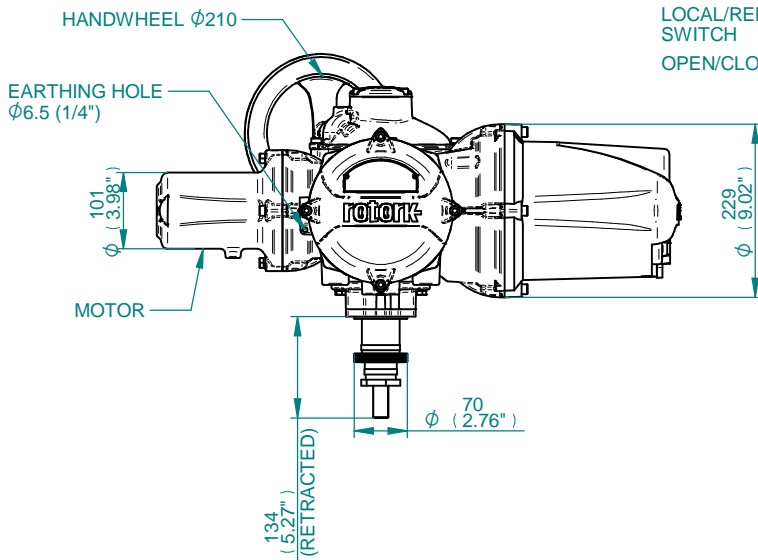
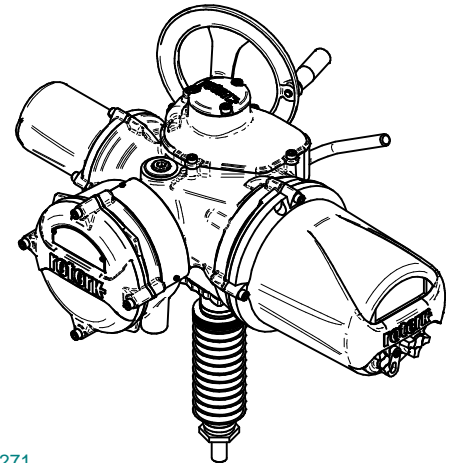
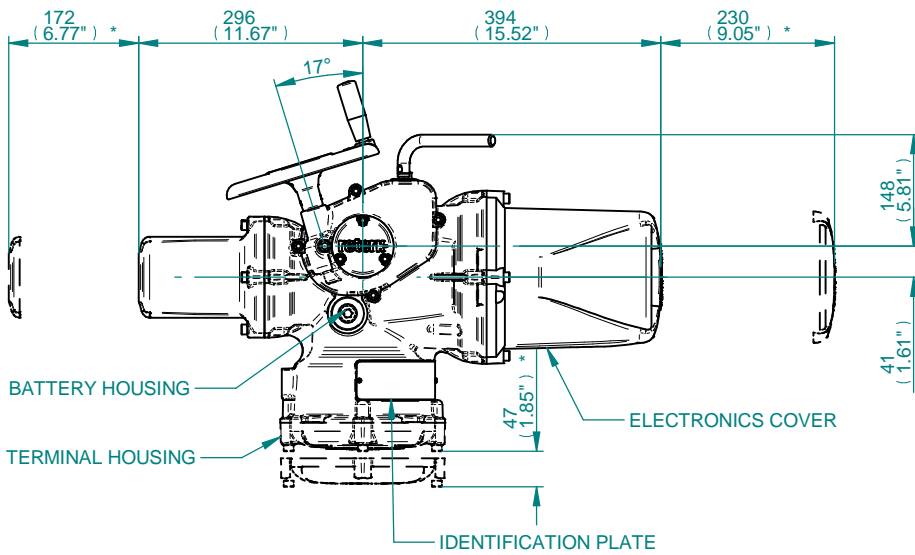
3

Scale

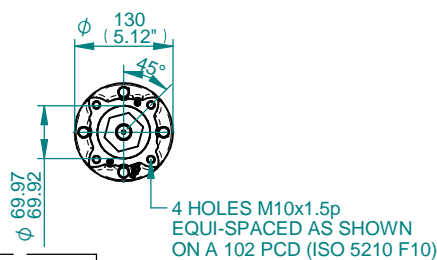
1:10

Sheet No

1 of 2

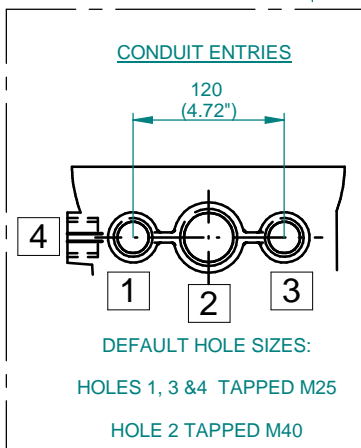
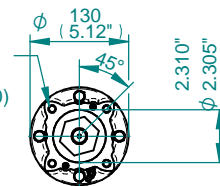


F10 BASE DETAILS

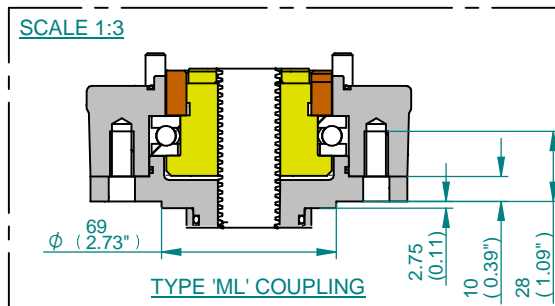


4 HOLES 3/8" UNC EQUI-SPACED AS SHOWN ON A 4" PCD (MSS SP-102 FA10)

FA10 BASE DETAILS



SCALE 1:3



NOTES

1. STANDARD 158mm STROKE SHOWN
2. <sup>1</sup>\*1 REMOVAL ALLOWANCE REQUIRED

Title

DIMENSIONAL DATA SHEET FOR IQ3 MODULATING LINEAR (Size 10,12) SIDE HANDWHEEL

Date 010322

A4

Doc Number

IQ3-IQML1012

Ver No

3

Scale

1:10

Sheet No

2 of 2