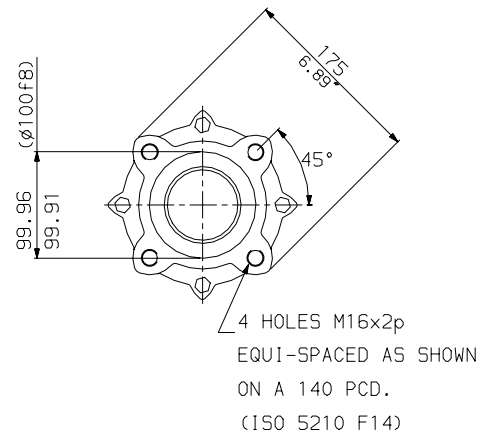
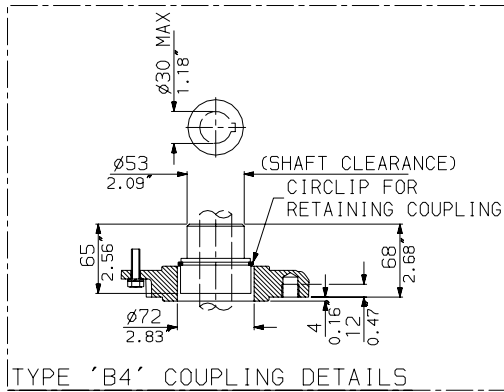
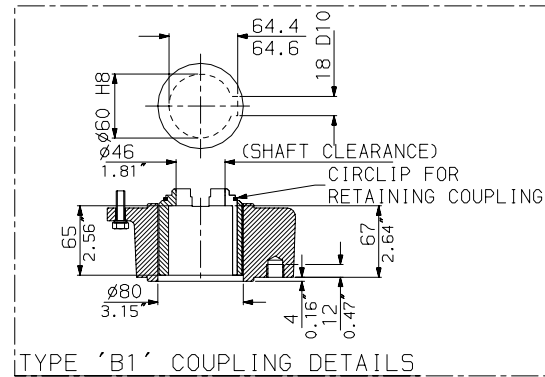
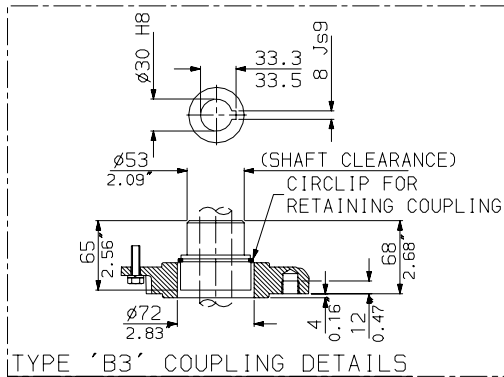
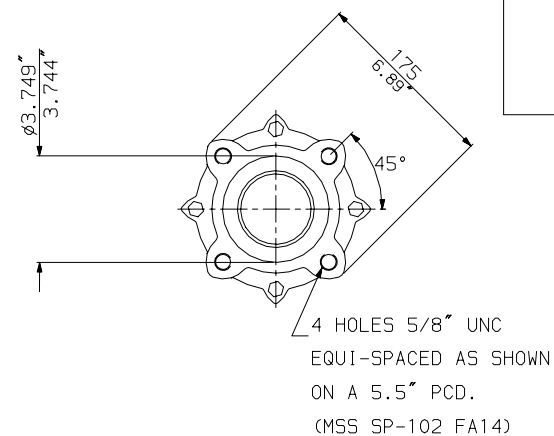


IQM20-25 THRUST BASES

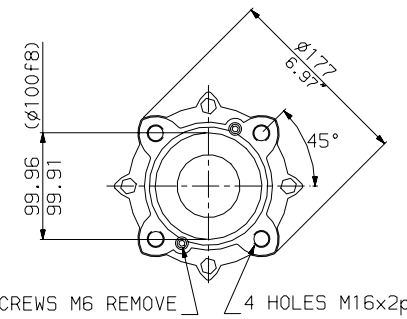
IQM20-25 NON-THRUST BASES



F14 BASE DETAILS
FOR 'B' COUPLINGS



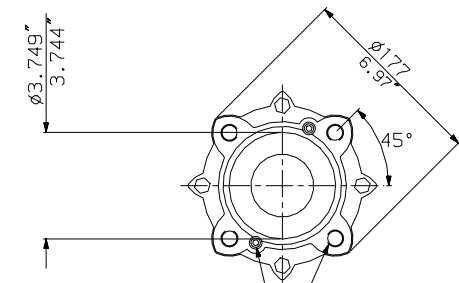
FA14 BASE DETAILS
FOR 'B' COUPLINGS



2 CAPSCREWS M6 REMOVE
IN ORDER TO WITHDRAW
DRIVE COUPLING

4 HOLES M16x2p
EQUI-SPACED AS SHOWN
ON A 140 PCD.
(ISO 5210 F14)

F14 BASE DETAILS
FOR 'Z' COUPLINGS

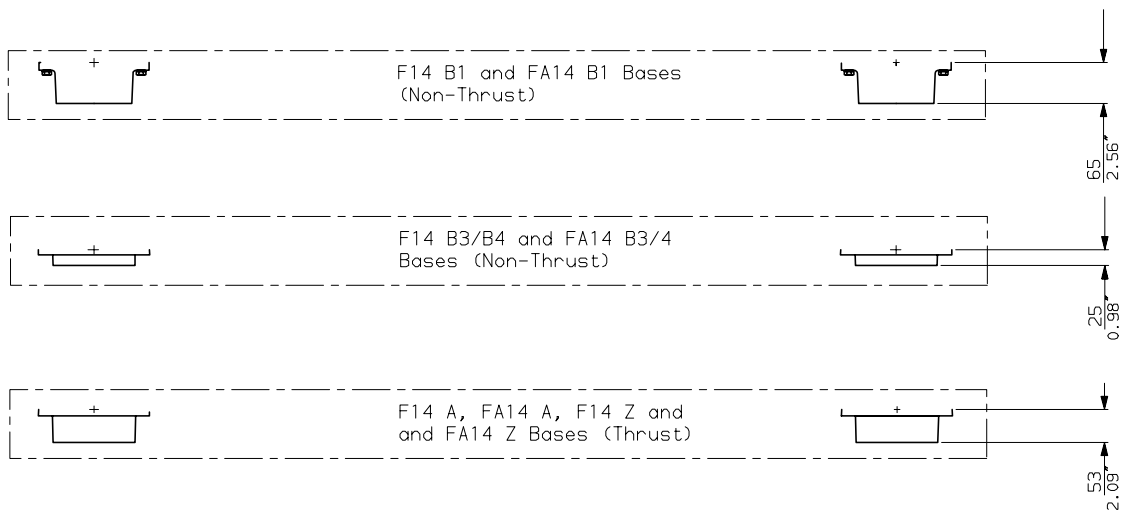
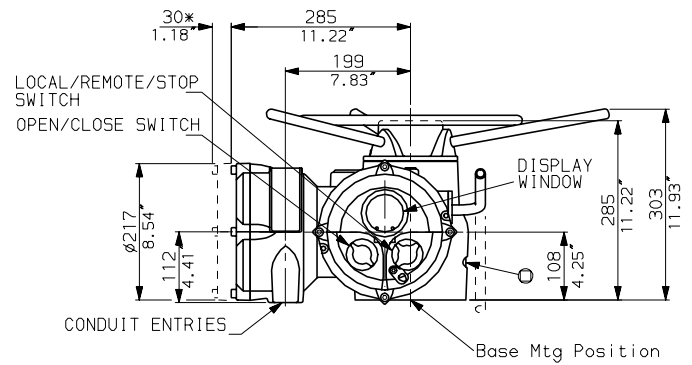
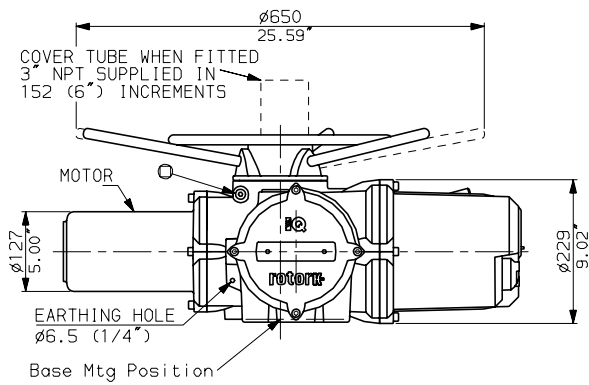
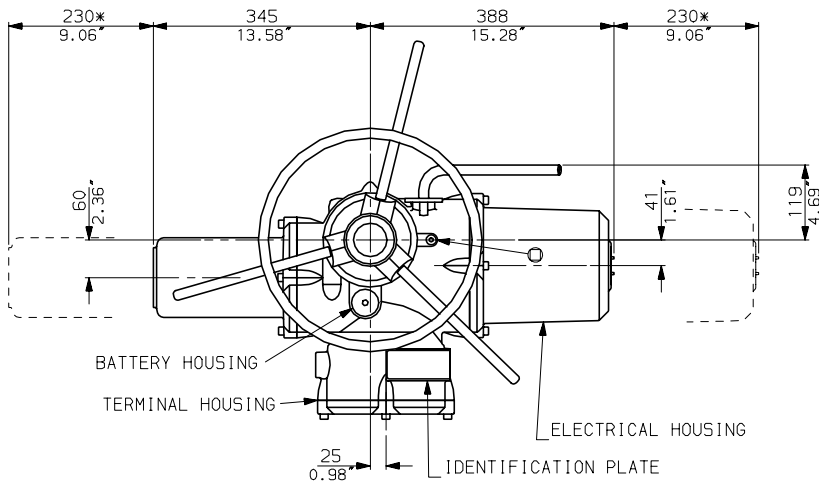


2 CAPSCREWS M6 REMOVE
IN ORDER TO WITHDRAW
DRIVE COUPLING

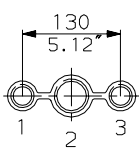
4 HOLES 5/8" UNC
EQUI-SPACED AS SHOWN
ON A 5.5" PCD.
(MSS SP-102 FA14)

FA14 BASE DETAILS
FOR 'Z' COUPLINGS

IQM20-25 WITH STANDARD
TOP HANDWHEEL



CONDUIT ENTRIES



Nos.1 & 3 TAPPED 1" NPT
 No.2 TAPPED 1 1/2" NPT
 STANDARD ALTERNATIVES IF SPECIFIED
 2 X M25, 1 X M40
 2 X PG16, 1 X PG29

NOTES

Three BASE options are detailed to suit the relevant Coupling arrangement. The required BASE for the SIDE & END views should be loaded to position indicated.

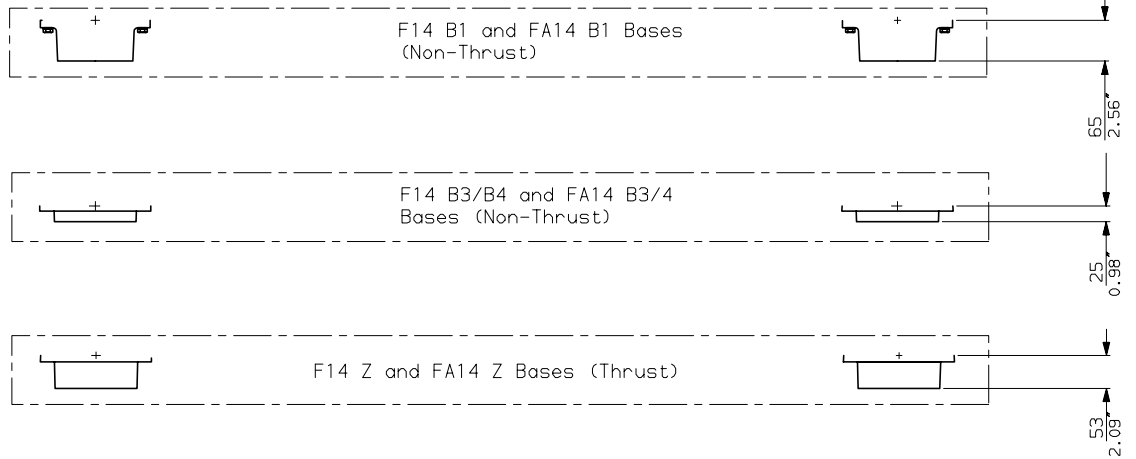
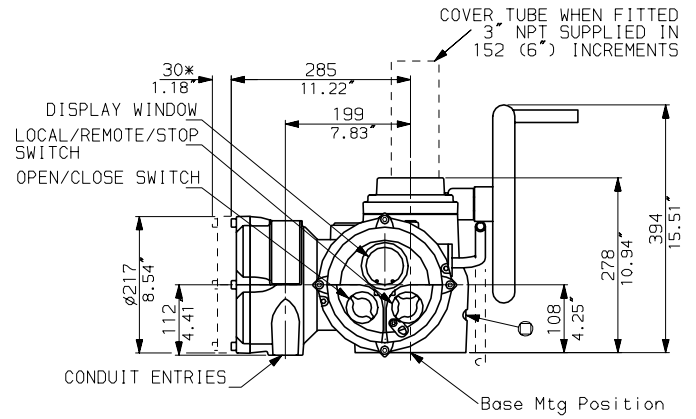
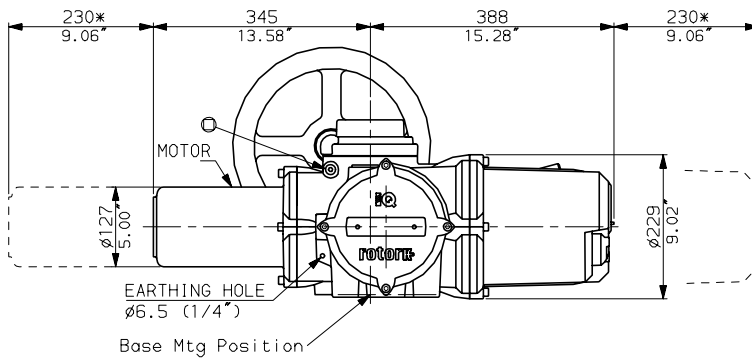
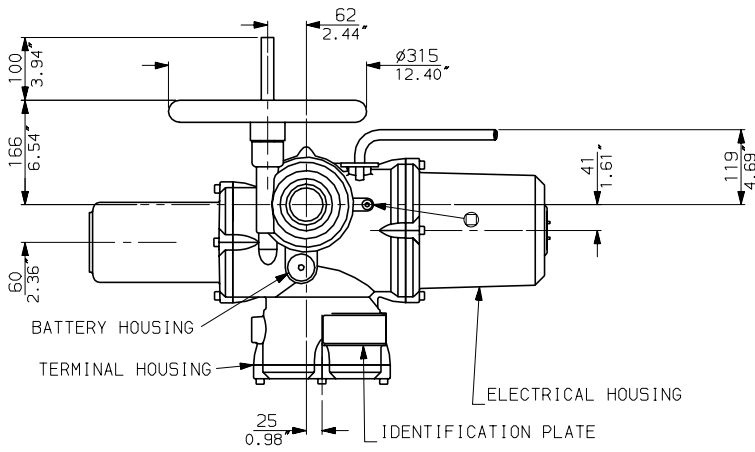
rotork

IQM20 (THW) DATA

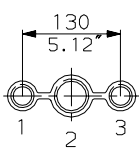
Date 020401

Scale 1:12

IQM20-25 WITH OPTIONAL SIDE HANDWHEEL



CONDUIT ENTRIES



Nos.1 & 3 TAPPED 1" NPT
 No.2 TAPPED 1 1/2" NPT
 STANDARD ALTERNATIVES IF SPECIFIED
 2 X M25, 1 X M40
 2 X PG16, 1 X PG29

NOTES

Three BASE options are detailed to suit the relevant Coupling arrangement. The required BASE for the SIDE & END views should be loaded to position indicated.

rotork

IQM20 (SHW) DATA

Date 020401

Scale 1:12