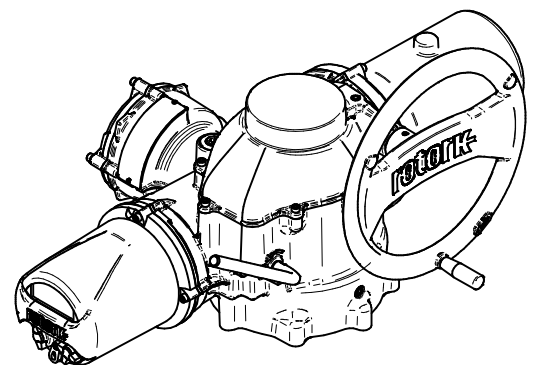
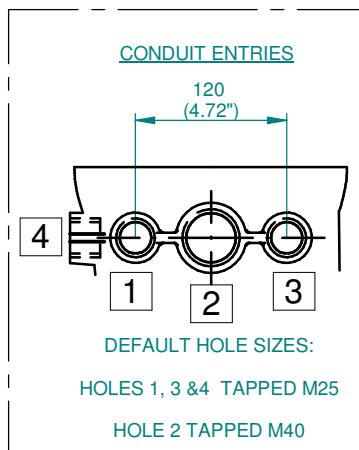
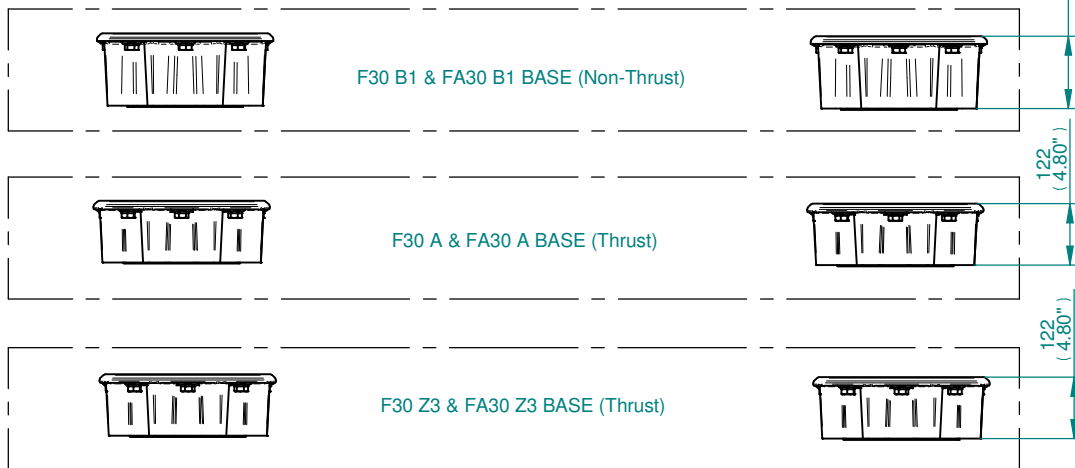
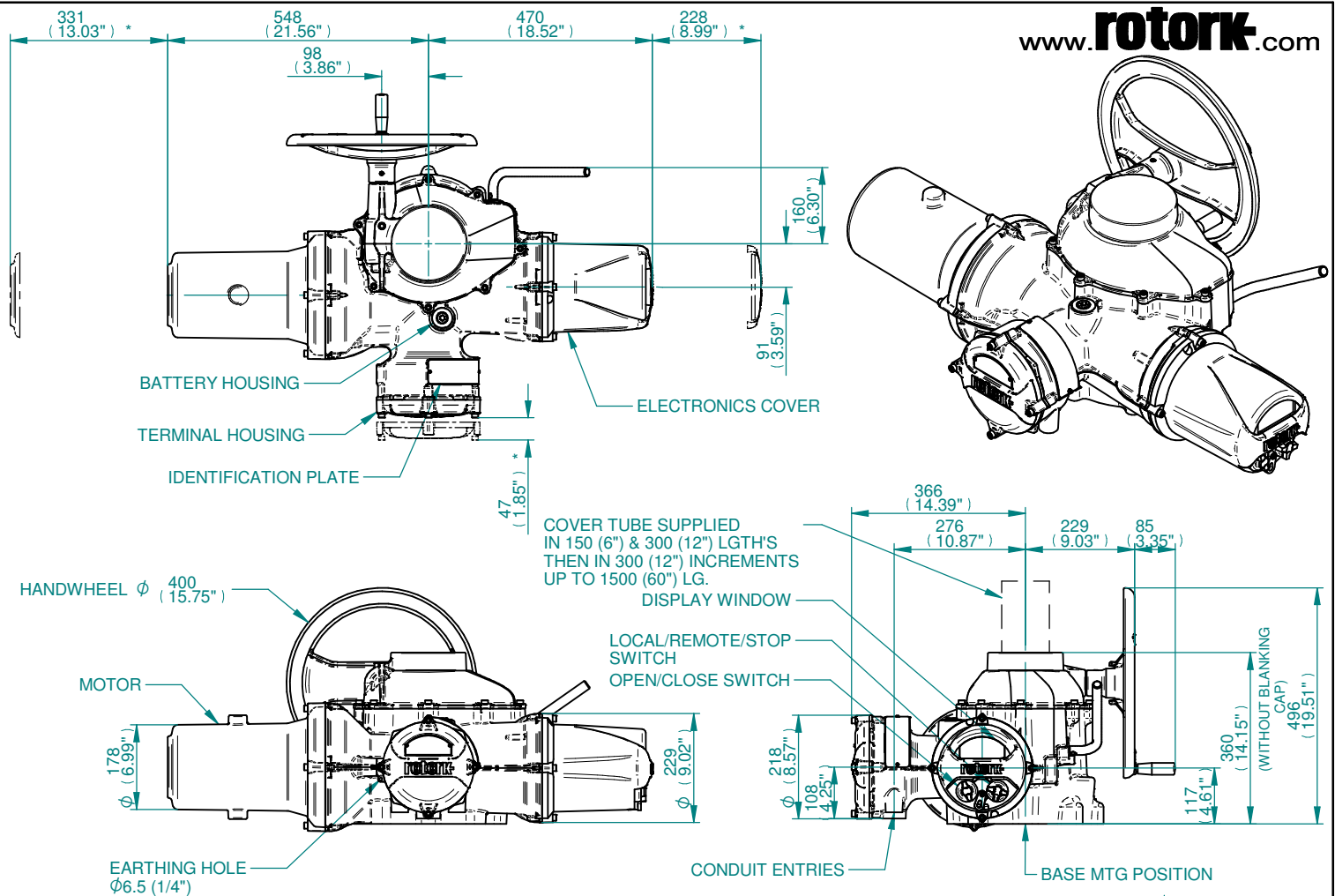
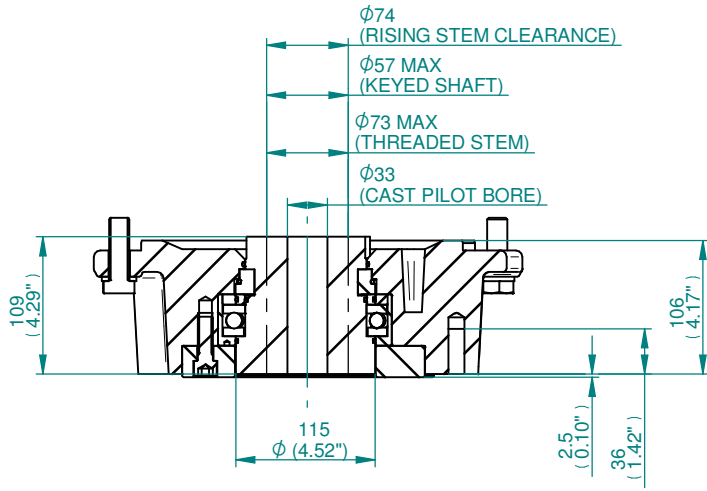


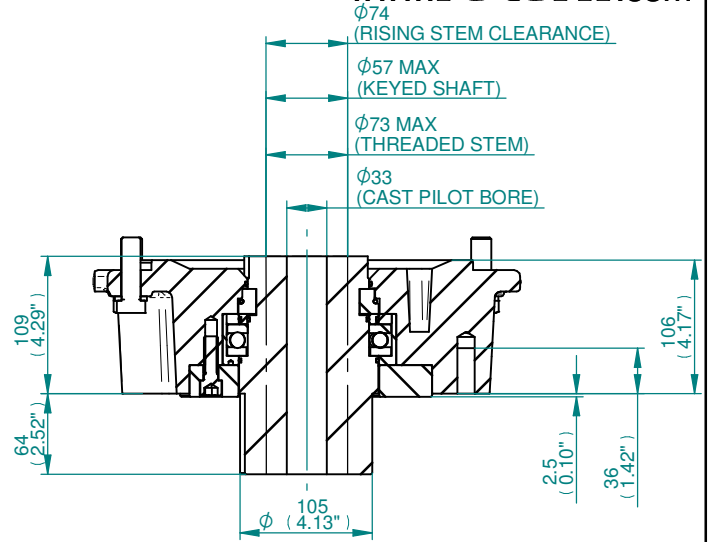
NOTES
1. FOUR BASE OPTIONS ARE DETAILED TO SUIT THE RELEVANT COUPLING ARRANGEMENT.
2. THE REQUIRED BASE FOR THE SIDE & END VIEWS SHOULD BE LOADED TO MTG POSITION INDICATED.
3. ** REMOVAL ALLOWANCE REQUIRED.



- NOTES**
- FOUR BASE OPTIONS ARE DETAILED TO SUIT THE RELEVANT COUPLING ARRANGEMENT.
 - THE REQUIRED BASE FOR THE SIDE & END VIEWS SHOULD BE LOADED TO MTG POSITION INDICATED.
 - * ** REMOVAL ALLOWANCE REQUIRED.

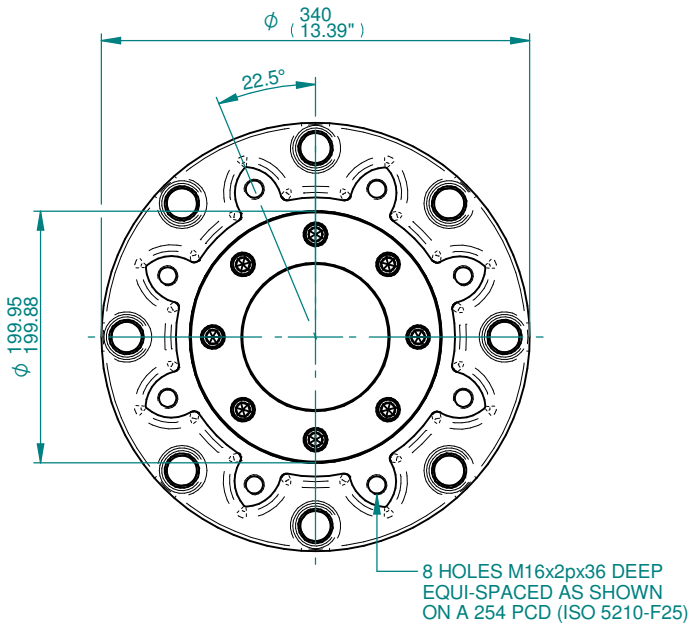


TYPICAL 'A' COUPLING DETAILS

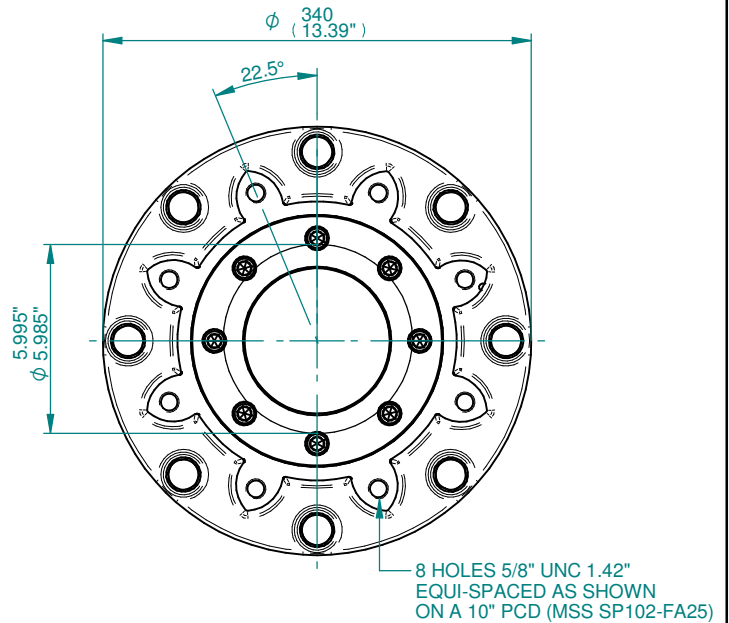


TYPICAL 'Z3' COUPLING DETAILS

NOTE : COUPLINGS WITHOUT PILOT BORE AVAILABLE IF SPECIFIED WITH ORDER.

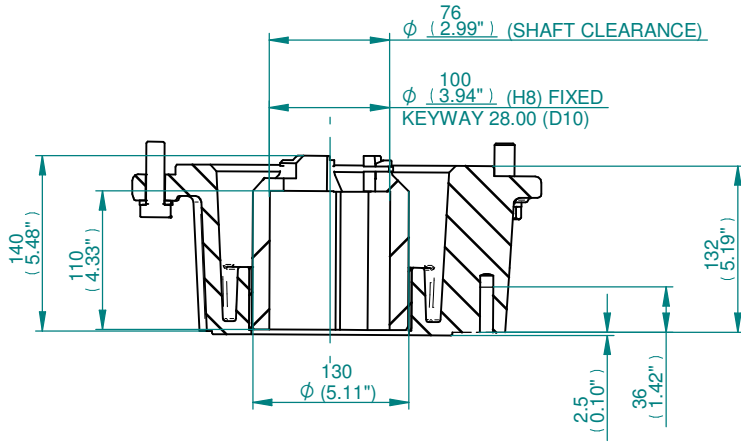


F25 BASE DETAIL FOR 'A' & 'Z3' COUPLINGS

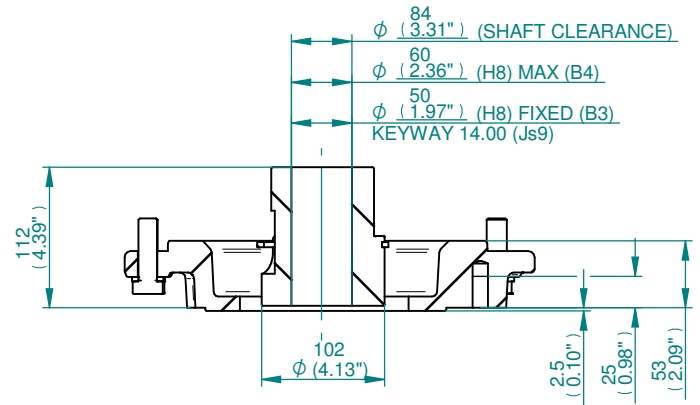


FA25 BASE DETAIL FOR 'A' & 'Z3' COUPLING

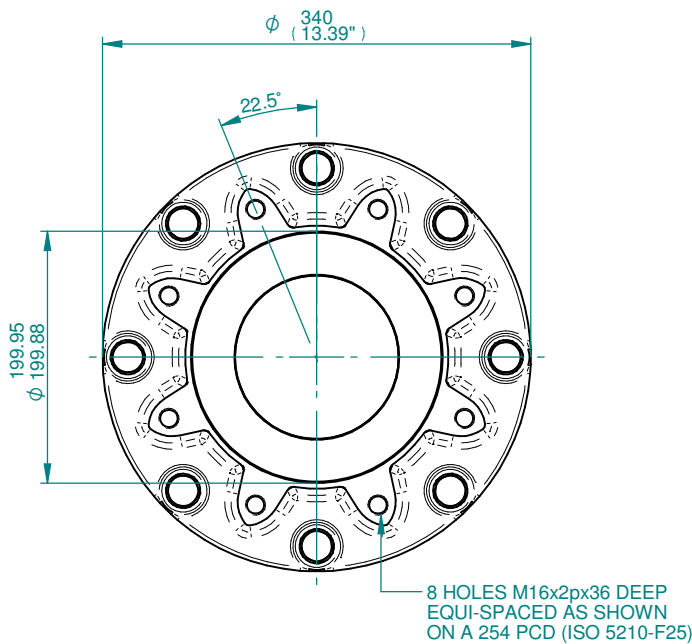
IQ3 SIZE 40 THRUST BASES



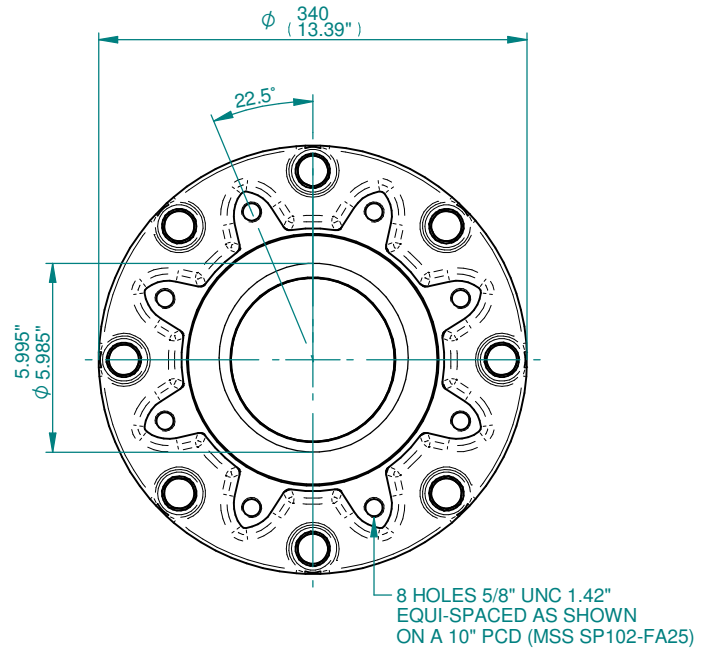
TYPICAL 'B1' COUPLING DETAILS



TYPICAL 'B3/B4' COUPLING DETAIL

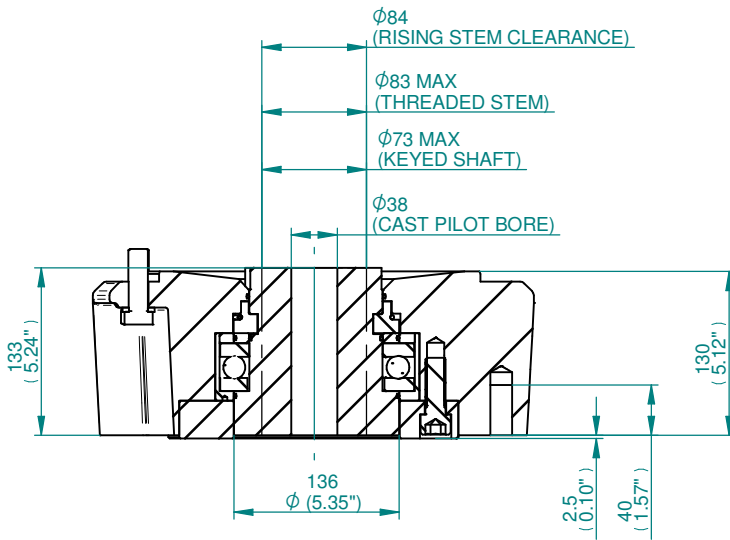


F25 BASE DETAILS FOR 'B1' & 'B3/B4' COUPLINGS

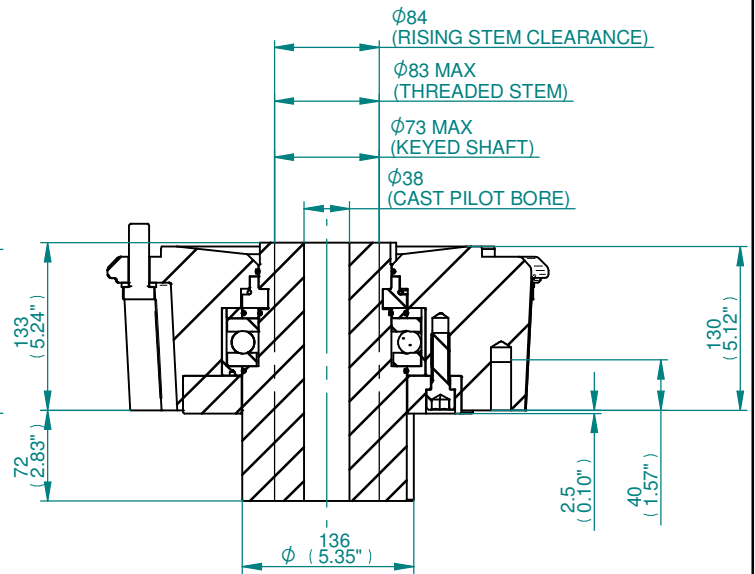


FA25 BASE DETAILS FOR 'B1' & 'B3/B4' COUPLINGS

IQ3 SIZE 40 NON-THRUST BASES

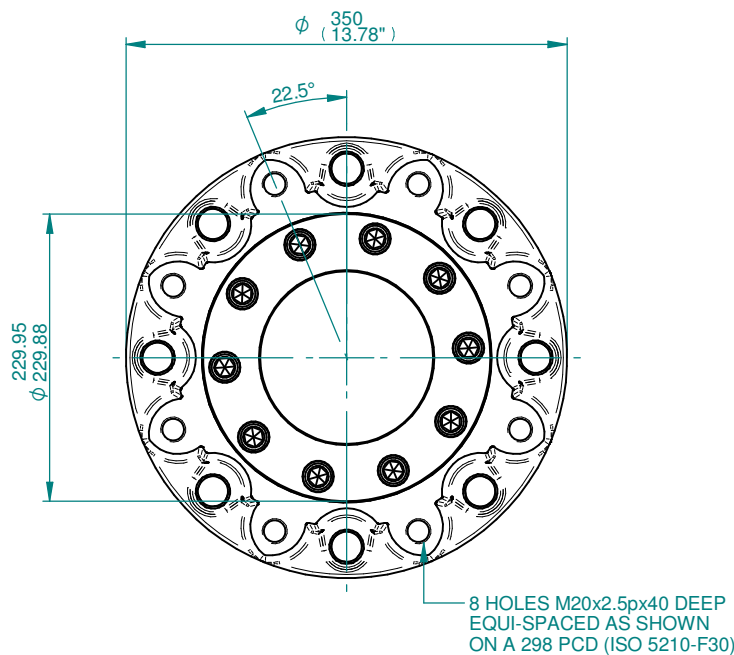


TYPICAL 'A' COUPLING DETAILS

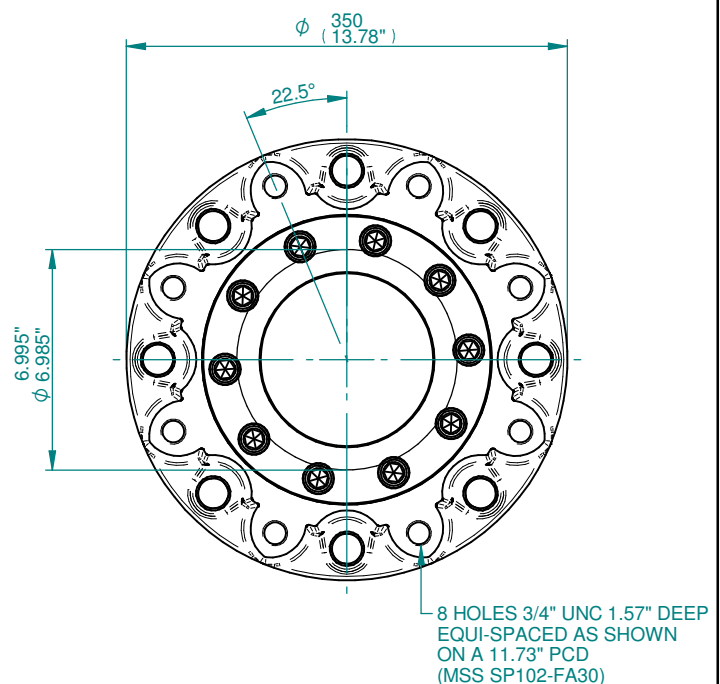


TYPICAL 'Z3' COUPLING DETAILS

NOTE : COUPLINGS WITHOUT PILOT BORE AVAILABLE IF SPECIFIED WITH ORDER.

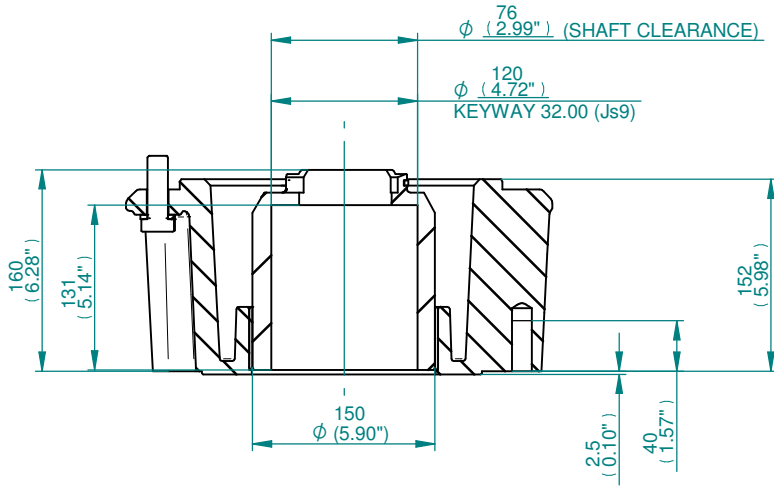


F30 BASE DETAILS FOR 'A' & 'Z3' COUPLINGS

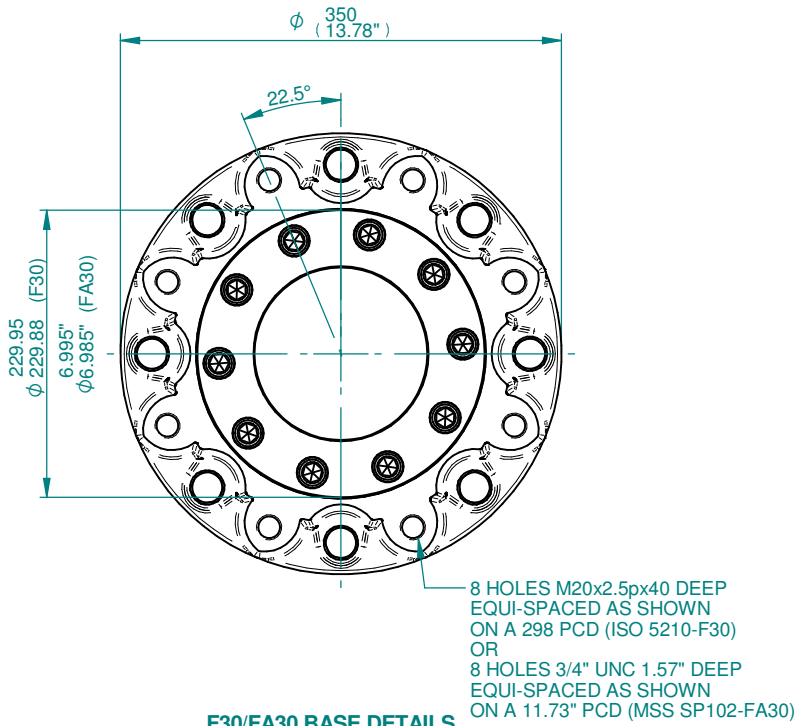


FA30 BASE DETAILS FOR 'A' & 'Z3' COUPLINGS

IQ3 SIZE 40 THRUST BASES



TYPICAL 'B1' COUPLING DETAILS



F30/FA30 BASE DETAILS FOR 'B1' COUPLINGS

IQ3 SIZE 40 NON-THRUST BASES