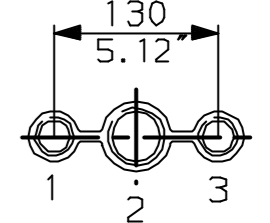
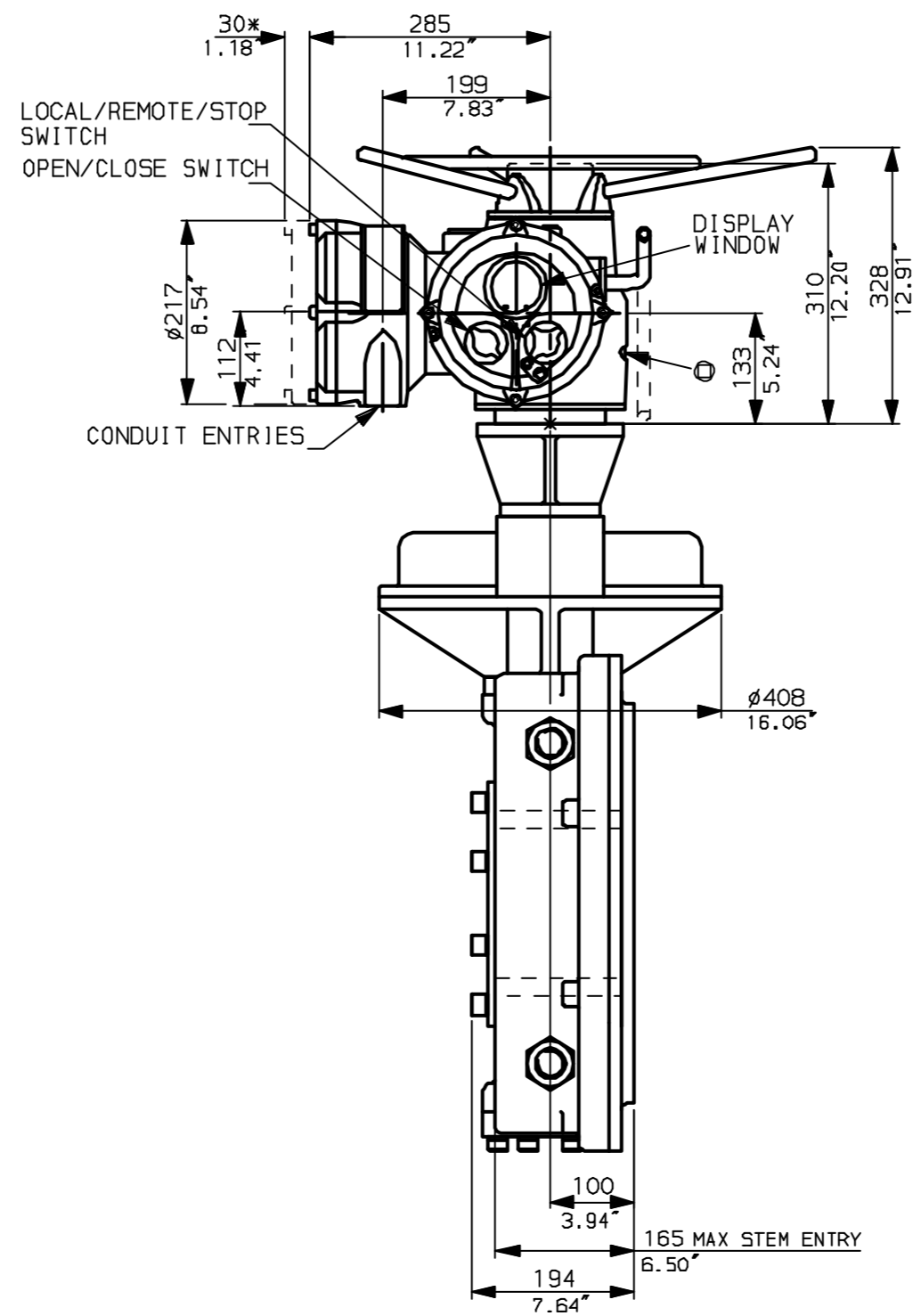
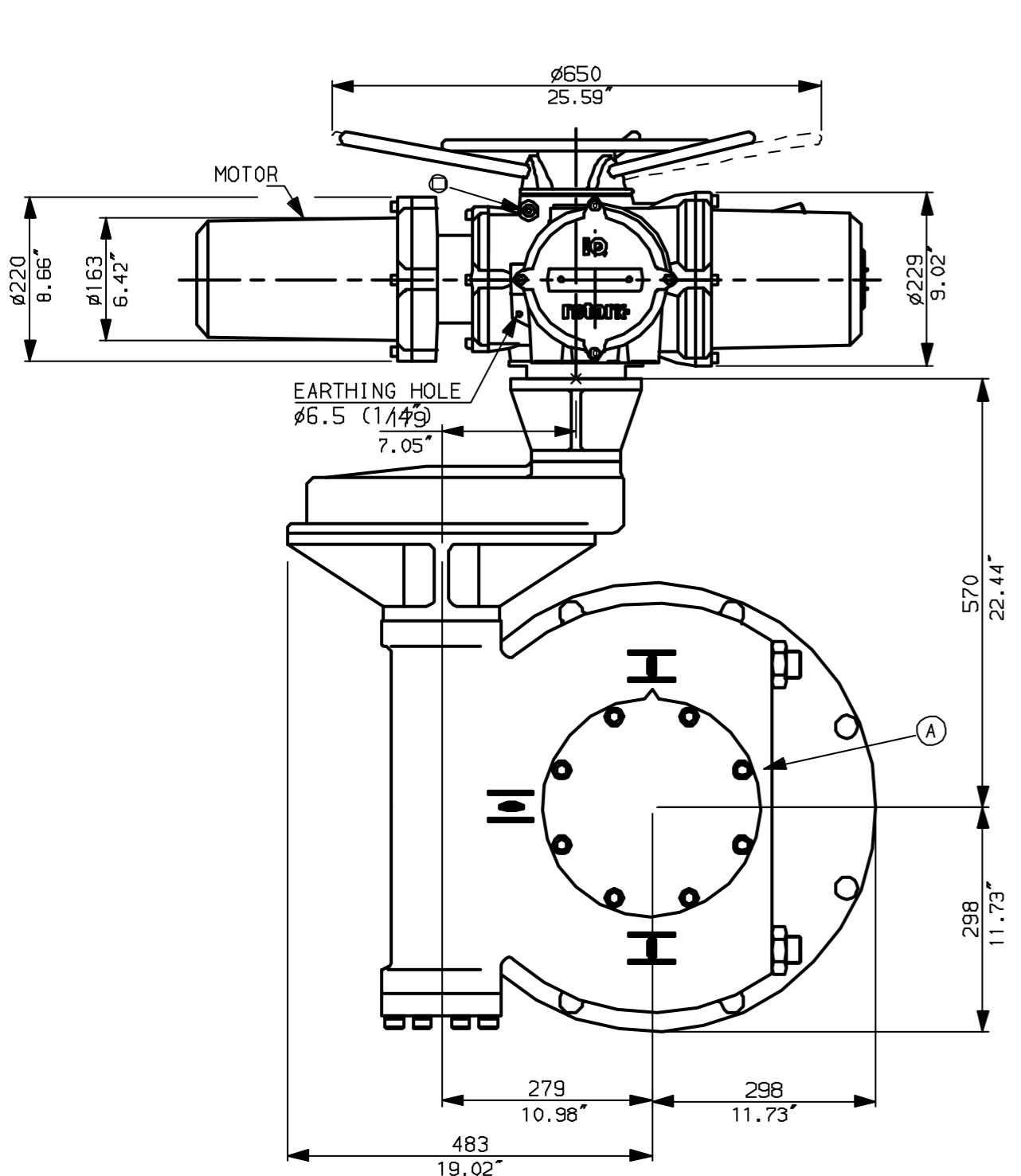


NOTES:
 * DIMENSIONS WITH '*' INDICATE COVER REMOVAL ALLOWANCE
 : NETT WEIGHT = 327kg (719lbs)
 : = OIL FILLER/DRAIN PLUG
 : THE INTERFACE PROVIDED FOR MOUNTING THE ACTUATOR OR SECOND STAGE GEARBOX ONTO THE VALVE SHOULD CONFORM TO GOOD ENGINEERING PRACTICES, ENSURING ADEQUATELY TOLERANCED LIMITS FOR PARALLELISM, PERPENDICULARITY AND CONCENTRICITY.

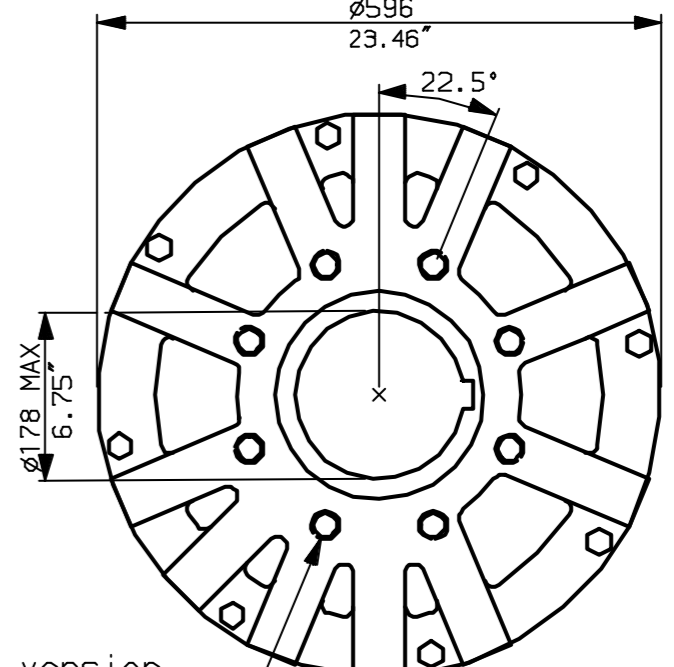
CONDUIT ENTRIES (N.T.S)



Nos.1 & 3 TAPPED 1" NPT
 No.2 TAPPED 1 1/2" NPT
 STD ALTERNATIVES IF SPECIFIED
 2 X M25, 1 X M40
 2 X PG16, 1 X PG29



N.B. KEYWAY POS. CAN BE MOVED IN 45° STEPS BY REMOVING 8 SCREWS MARKED (A) AND ROTATING OUTPUT SLEEVE.



"F" version
 8 HOLES TAPPED M20 x 30 DP
 EQUI-SPACED AS SHOWN ON A
 298 PCD (ISO 5211-F30).
 "FA" version
 8 HOLES TAPPED 3/4" UNC x 1.18" dp
 EQUI-SPACED AS SHOWN ON A
 11.75" PCD (M55 SP101-FA30).

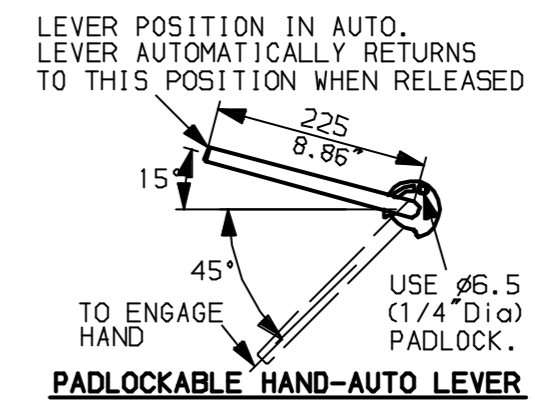
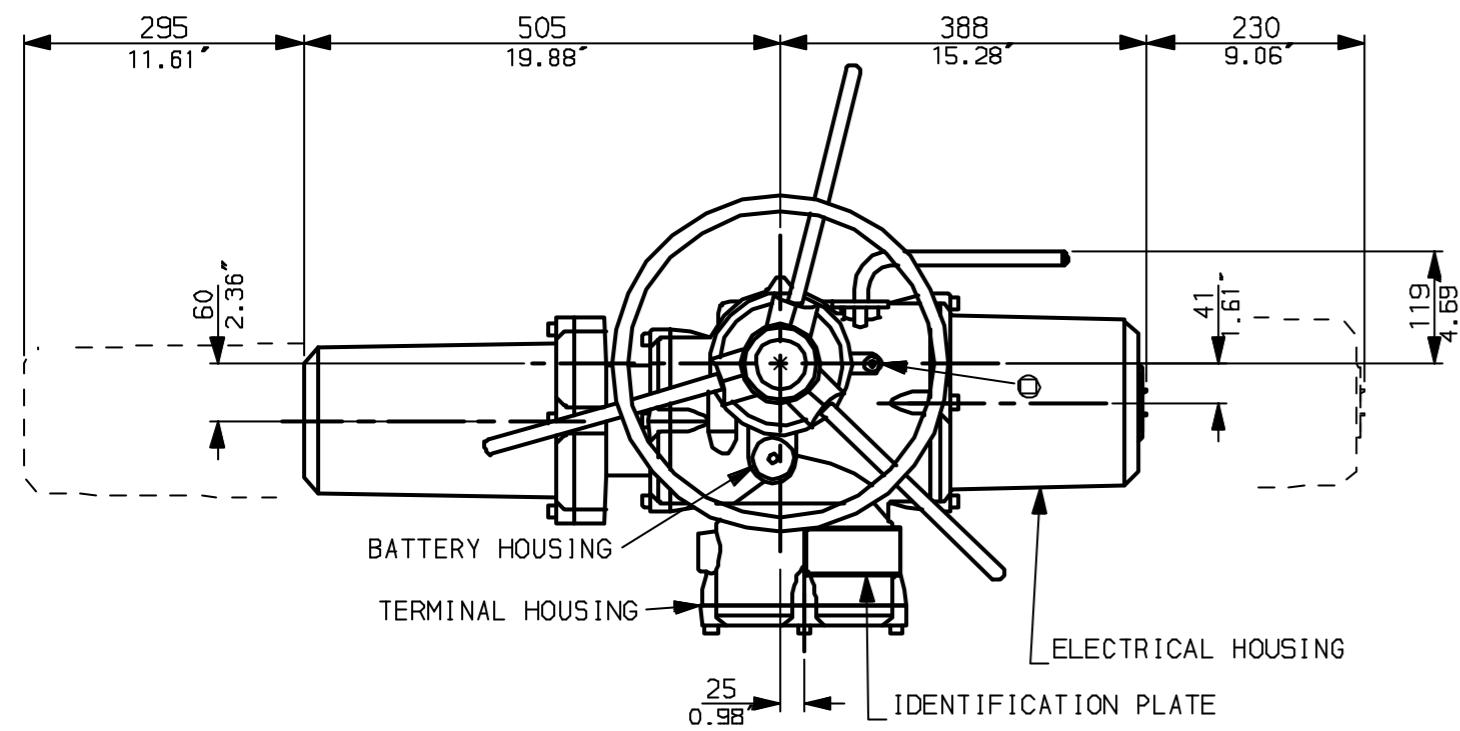


Rotork Controls Ltd.
 Bath England, BA1 3JQ.
 (Phone 01225-733200)
 Rotork Controls Inc.
 Rochester, NY 14624
 (Phone 585-328-1550)

Title IQD25, THW, IW9RL		
STANDARD DIMENSIONAL DATA		
Drawn CAD	Checked PRE	Ref Data Sheet
Date April 04	Job No	IQD25THW_IW9RL

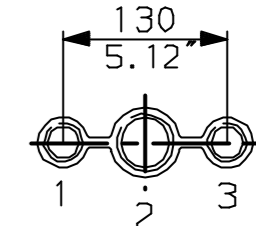
NOTE:
 Gearbox is shown with LOW Ratio Input Reducer.
 (ie Ratios 180, 240, 360, 480, 540, 720)
 See Data Sheet with IW9Rh for HIGH ratio option.

01	First Issue.
Scale	1:8 THIRD ANGLE PROJECTION
Drawing Number	IQD25THW_IW9RL

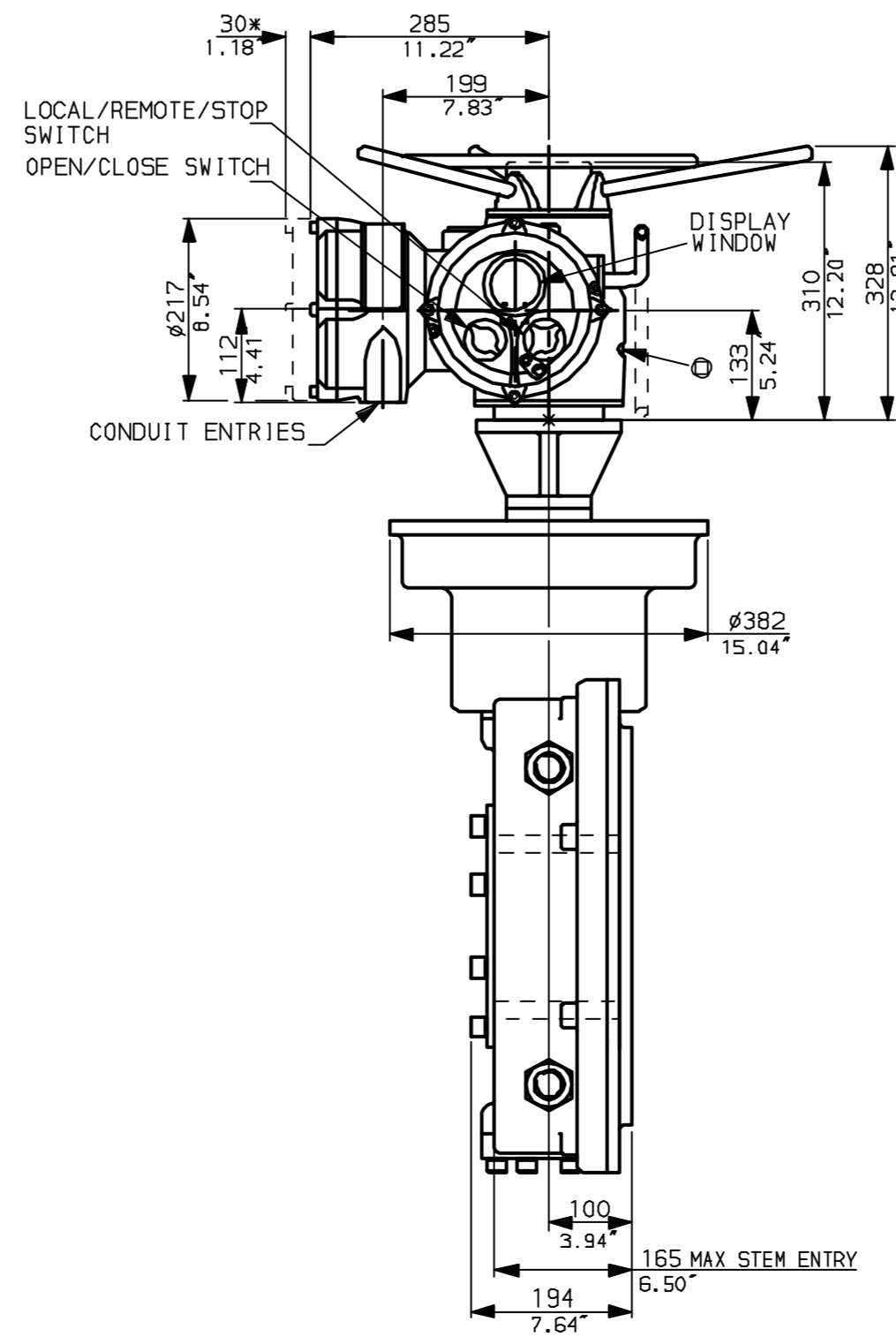
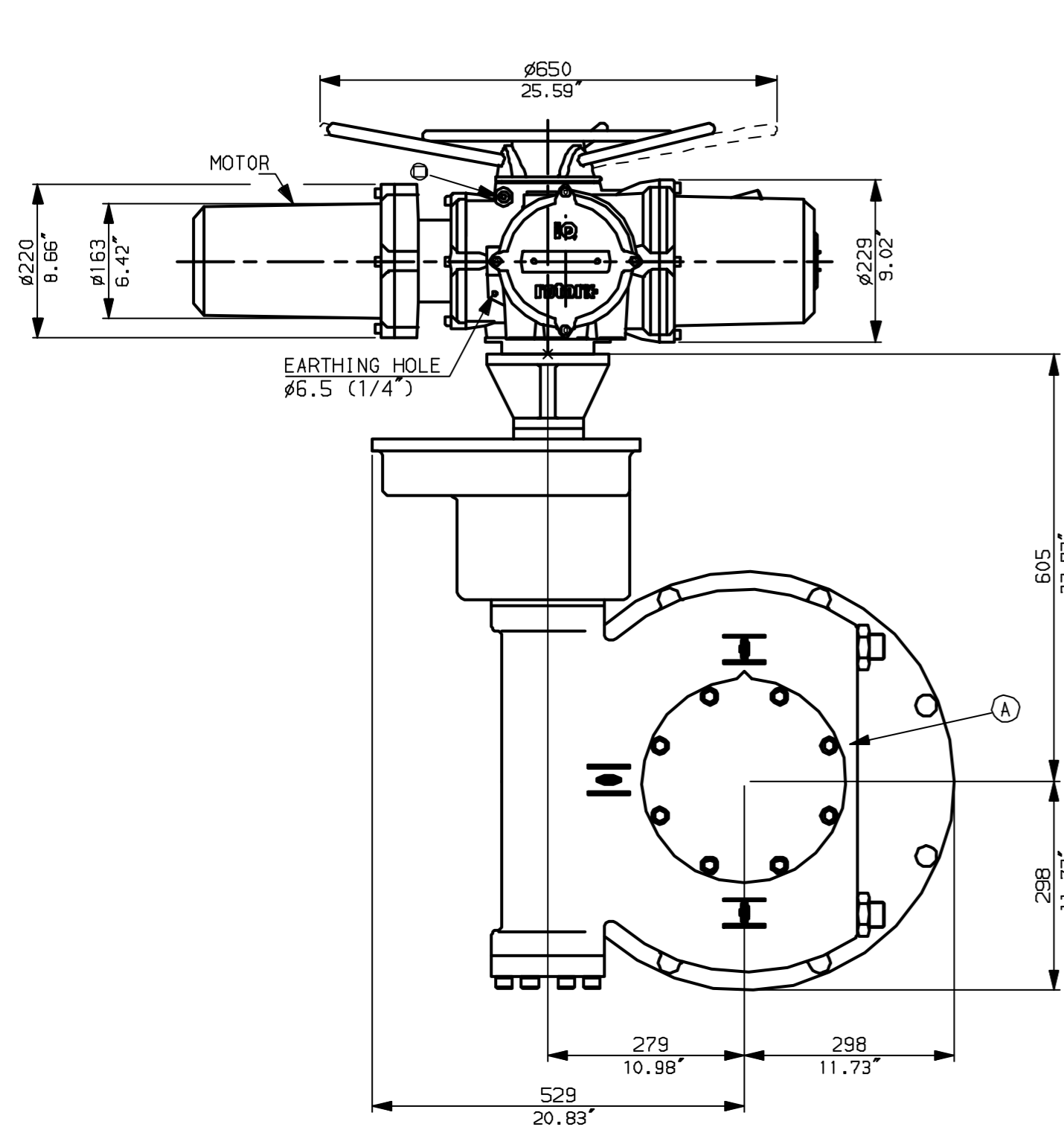


NOTES:
 * DIMENSIONS WITH '*' INDICATE COVER REMOVAL ALLOWANCE
 : NETT WEIGHT = 355kg (781 lbs)
 : = OIL FILLER/DRAIN PLUG
 : THE INTERFACE PROVIDED FOR MOUNTING THE ACTUATOR OR SECOND STAGE GEARBOX ONTO THE VALVE SHOULD CONFORM TO GOOD ENGINEERING PRACTICES, ENSURING ADEQUATELY TOLERANCED LIMITS FOR PARALLELISM, PERPENDICULARITY AND CONCENTRICITY.

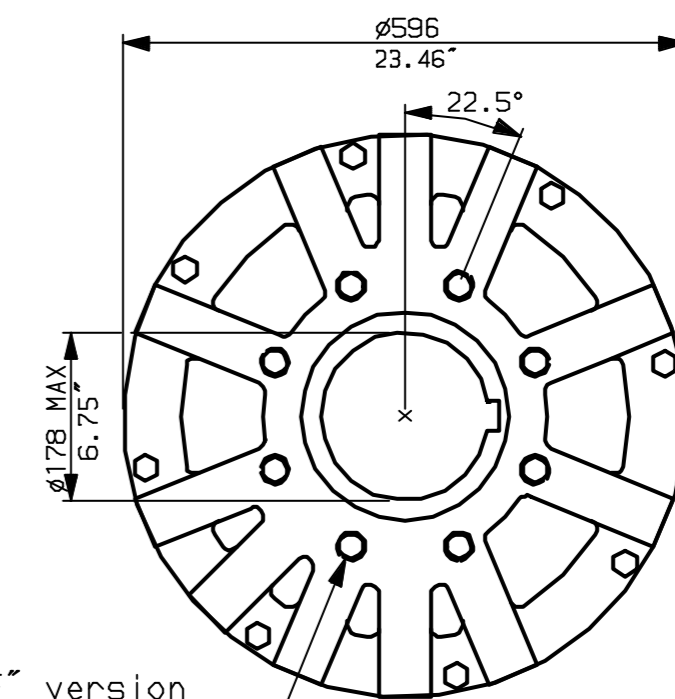
CONDUIT ENTRIES (N.T.S)



Nos.1 & 3 TAPPED 1" NPT
 No.2 TAPPED 1 1/2" NPT
 STD ALTERNATIVES IF SPECIFIED
 2 X M25, 1 X M40
 2 X PG16, 1 X PG29



N.B. KEYWAY POS. CAN BE MOVED IN 45° STEPS BY REMOVING 8 SCREWS MARKED (A) AND ROTATING OUTPUT SLEEVE.



"F" version

8 HOLES TAPPED M20 x 30 DP
 EQUI-SPACED AS SHOWN ON A
 298 PCD (ISO 5211-F30).

"FA" version

8 HOLES TAPPED 3/4" UNC x 1.18" dp
 EQUI-SPACED AS SHOWN ON A
 11.75" PCD (MSS SP101-FA30).

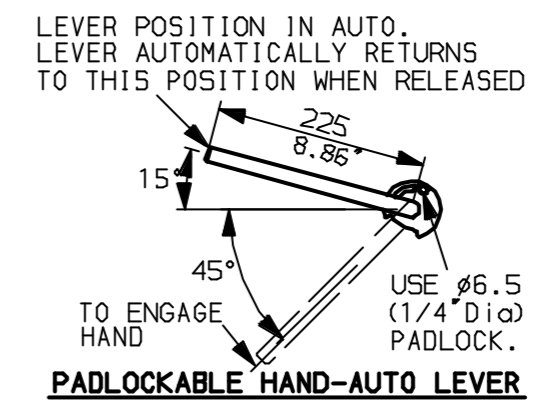
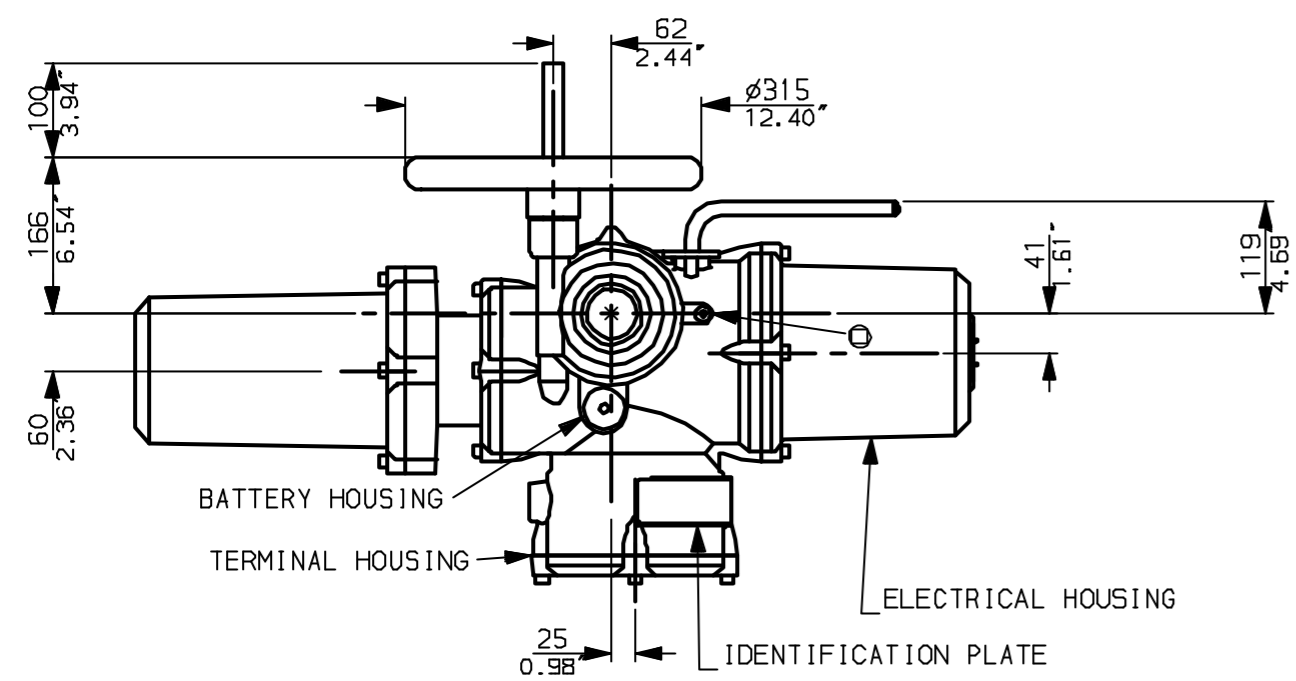
NOTE:
 Gearbox is shown with HIGH Ratio Input Reducer.
 (ie Ratios 960, 1080, 1440, 2160, 2520, 3000)
 See Data Sheet with IW9RL for LOW ratio option.

rotork
 www.rotork.com

Rotork Controls Ltd.
 Bath England, BA1 3JQ.
 (Phone 01225-733200)
 Rotork Controls Inc.
 Rochester, NY 14624
 (Phone 585-328-1550)

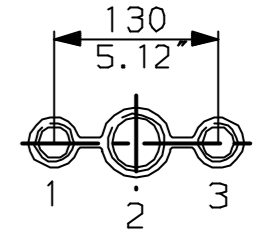
Title IQD25, THW, IW9Rh,		
STANDARD DIMENSIONAL DATA		
Drawn CAD	Checked PRE	Ref Data Sheet
Date April 04	Job No	IQD25THW_IW9Rh

01	First Issue.
Scale	1:8 THIRD ANGLE PROJECTION
Drawing Number	IQD25THW_IW9Rh

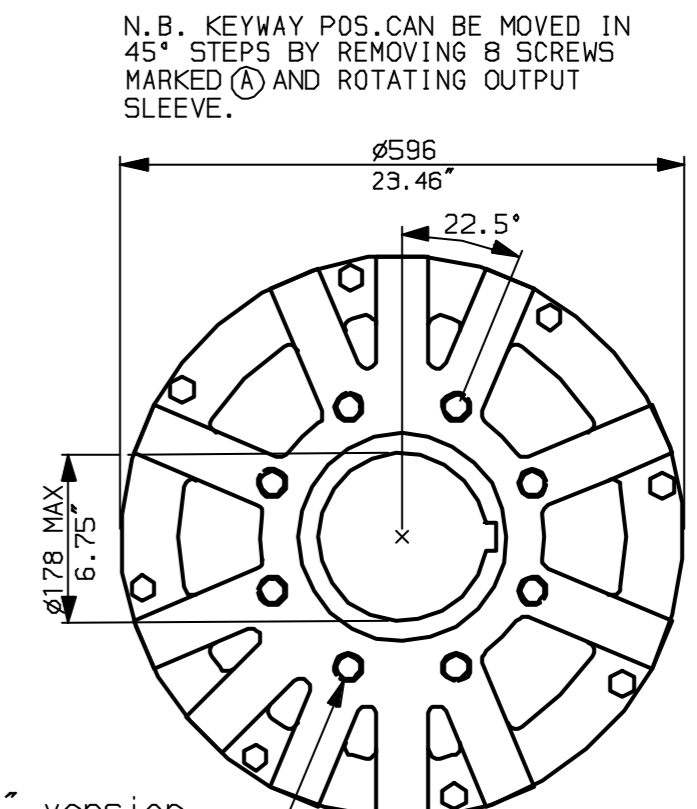
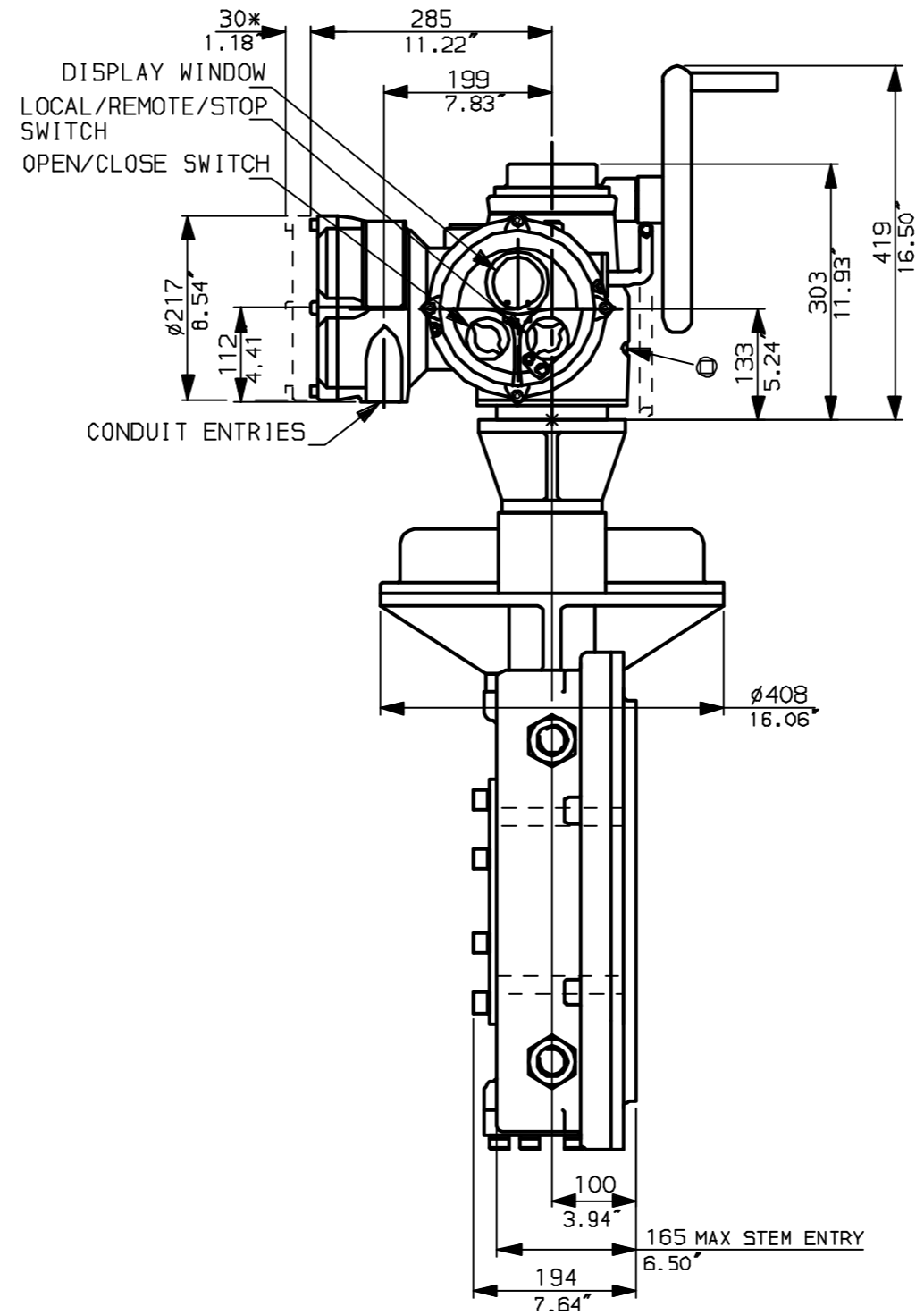
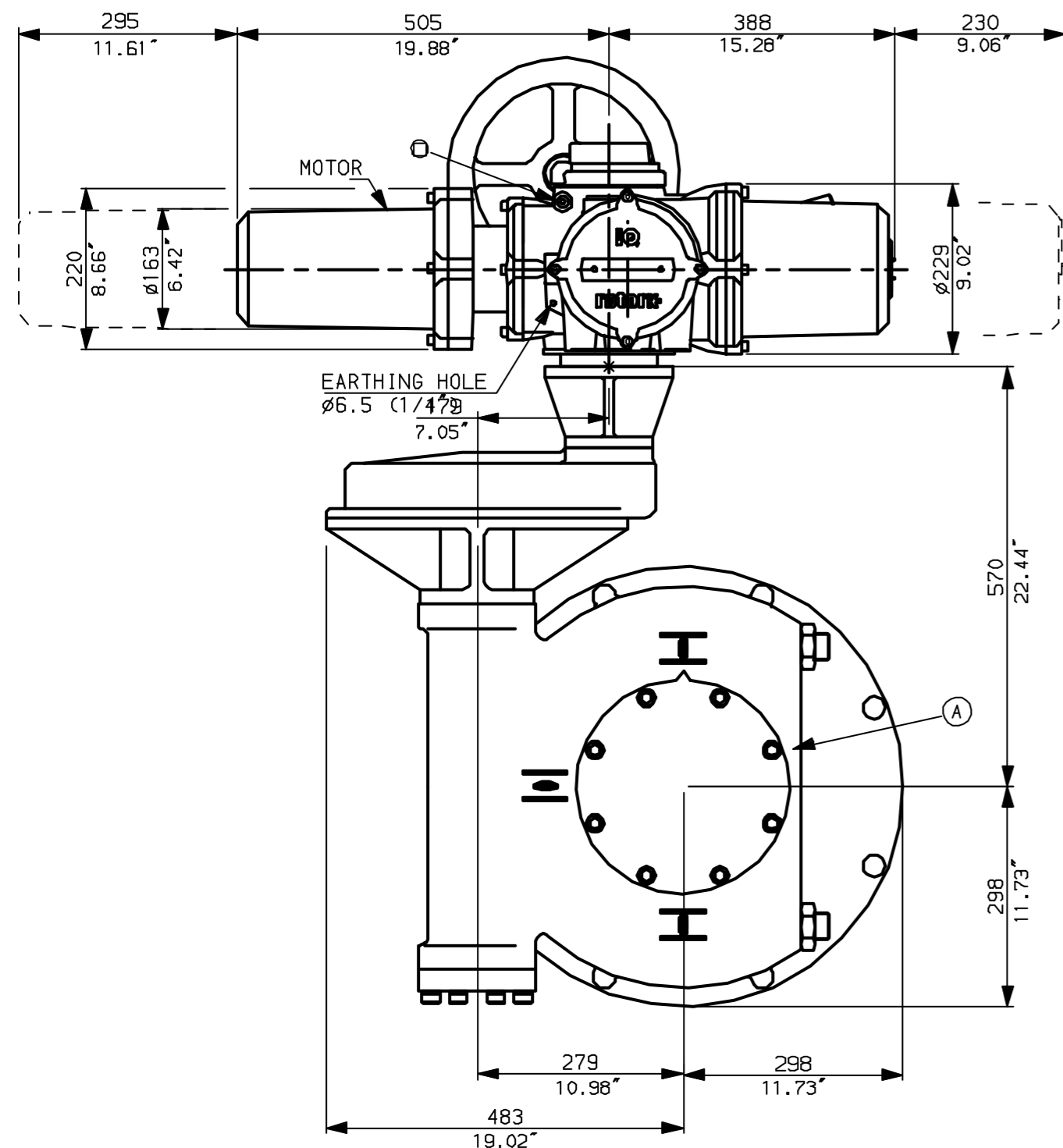


NOTES:
 * DIMENSIONS WITH '*' INDICATE COVER REMOVAL ALLOWANCE
 : NETT WEIGHT = 327kg (719lbs)
 : ϕ = OIL FILLER/DRAIN PLUG
 : THE INTERFACE PROVIDED FOR MOUNTING THE ACTUATOR OR SECOND STAGE GEARBOX ONTO THE VALVE SHOULD CONFORM TO GOOD ENGINEERING PRACTICES, ENSURING ADEQUATELY TOLERANCED LIMITS FOR PARALLELISM, PERPENDICULARITY AND CONCENTRICITY.

CONDUIT ENTRIES (N.T.S)



Nos.1 & 3 TAPPED 1" NPT
 No.2 TAPPED 1 1/2" NPT
 STD ALTERNATIVES IF SPECIFIED
 2 X M25, 1 X M40
 2 X PG16, 1 X PG29



"F" version
 8 HOLES TAPPED M20 x 30 DP
 EQUI-SPACED AS SHOWN ON A
 298 PCD (ISO 5211-F30).
 "FA" version
 8 HOLES TAPPED 3/4" UNC x 1.18" dp
 EQUI-SPACED AS SHOWN ON A
 11.75" PCD (M55 SP101-FA30).



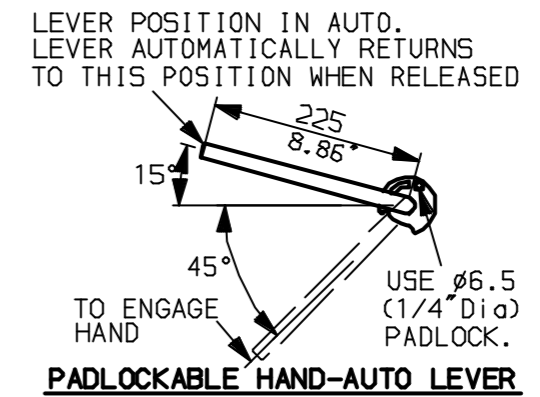
Rotork Controls Ltd.
 Bath England, BA1 3JQ.
 (Phone 01225-733200)
 Rotork Controls Inc.
 Rochester, NY 14624
 (Phone 585-328-1550)

Title IQD25, SHW, IW9RL,		
STANDARD DIMENSIONAL DATA		
Drawn CAD	Checked PRE	Ref Data Sheet
Date April 04	Job No	IQD25SHW_IW9RL

NOTE:
 Gearbox is shown with LOW Ratio Input Reducer.
 (ie Ratios 180, 240, 360, 480, 540, 720)
 See Data Sheet with IW9Rh for HIGH ratio option.

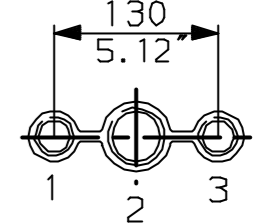
01	First Issue.
Scale	1:8 THIRD ANGLE PROJECTION
Drawing Number	IQD25SHW_IW9RL

G
F
E
D
C
B
A

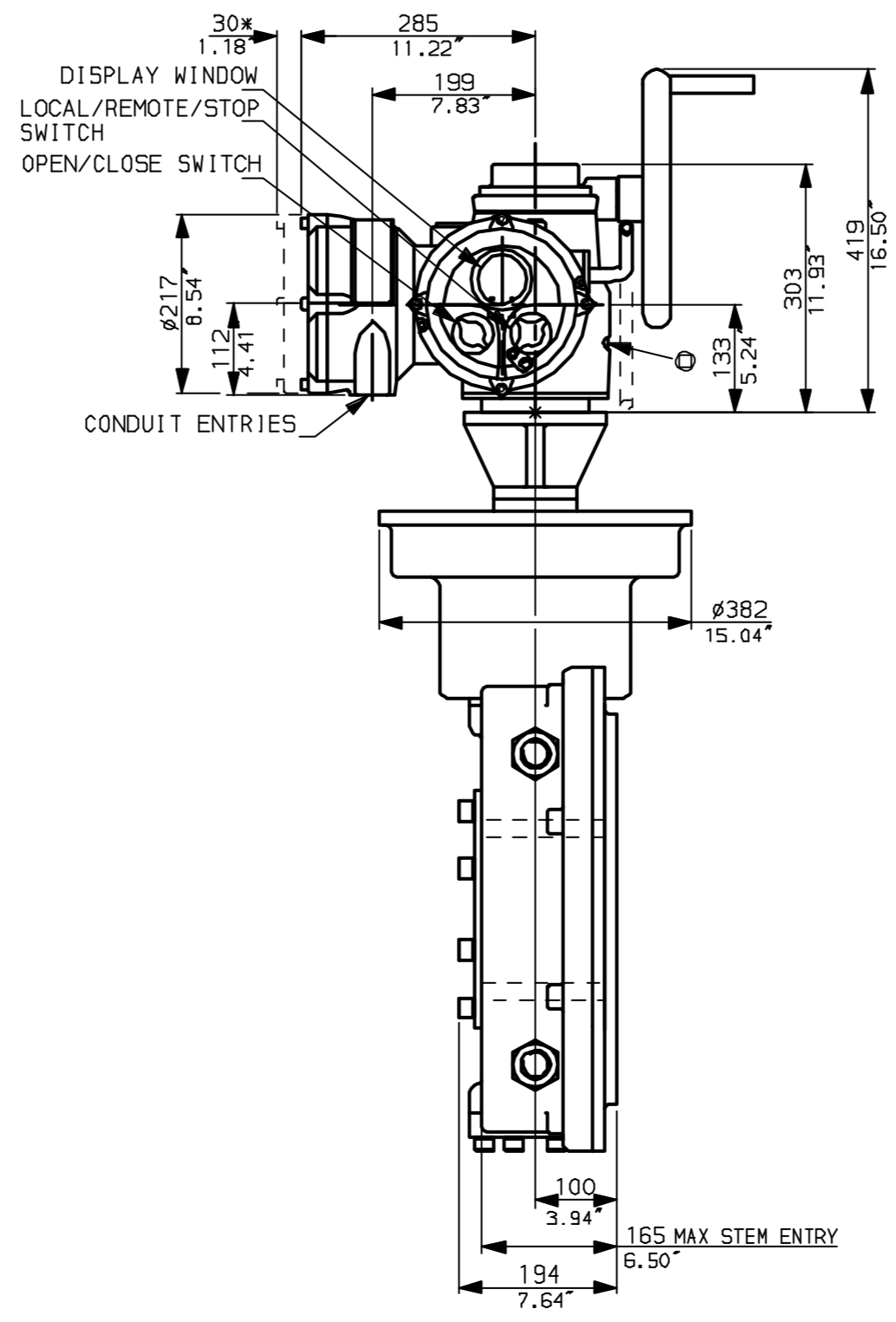
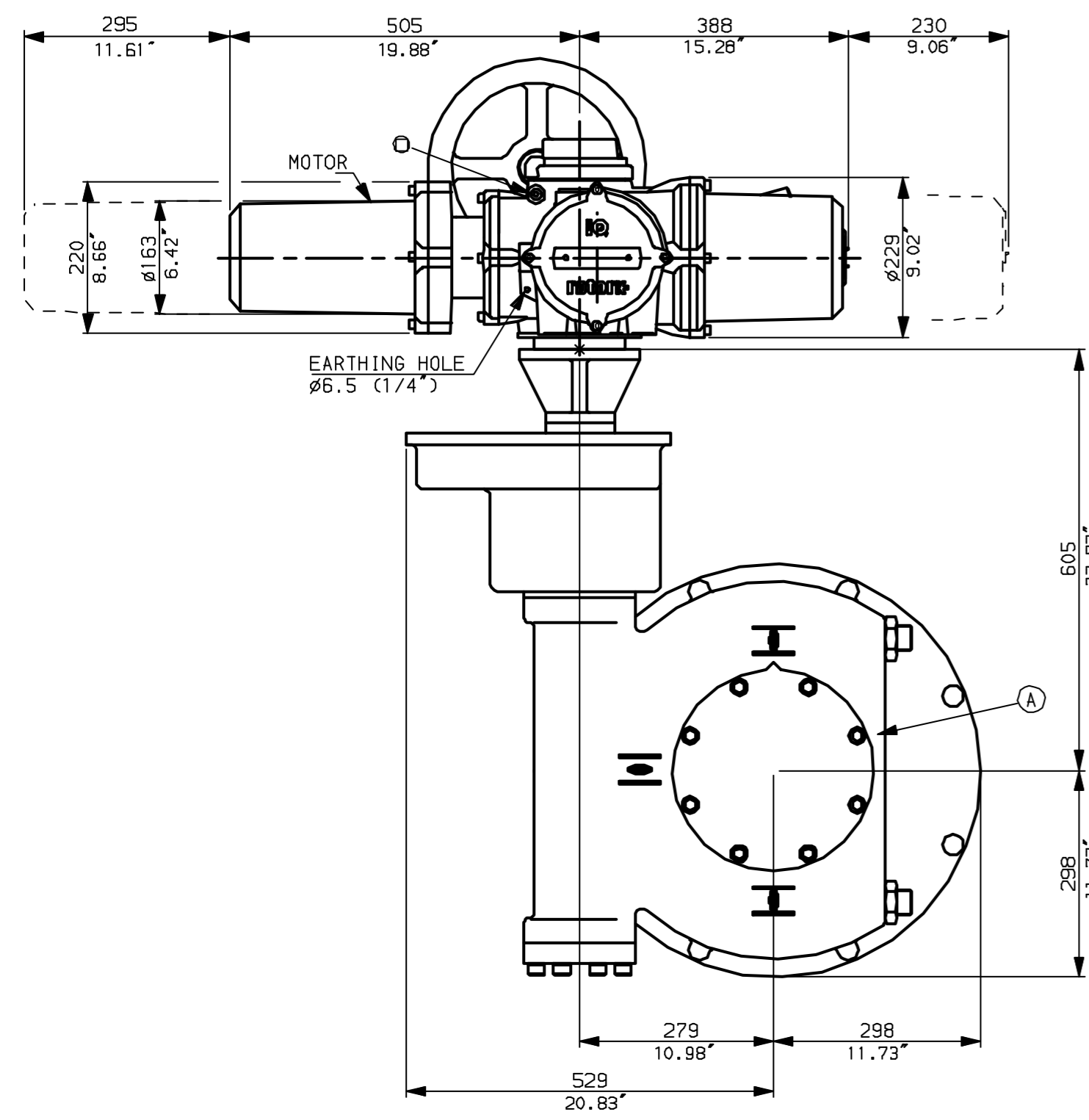
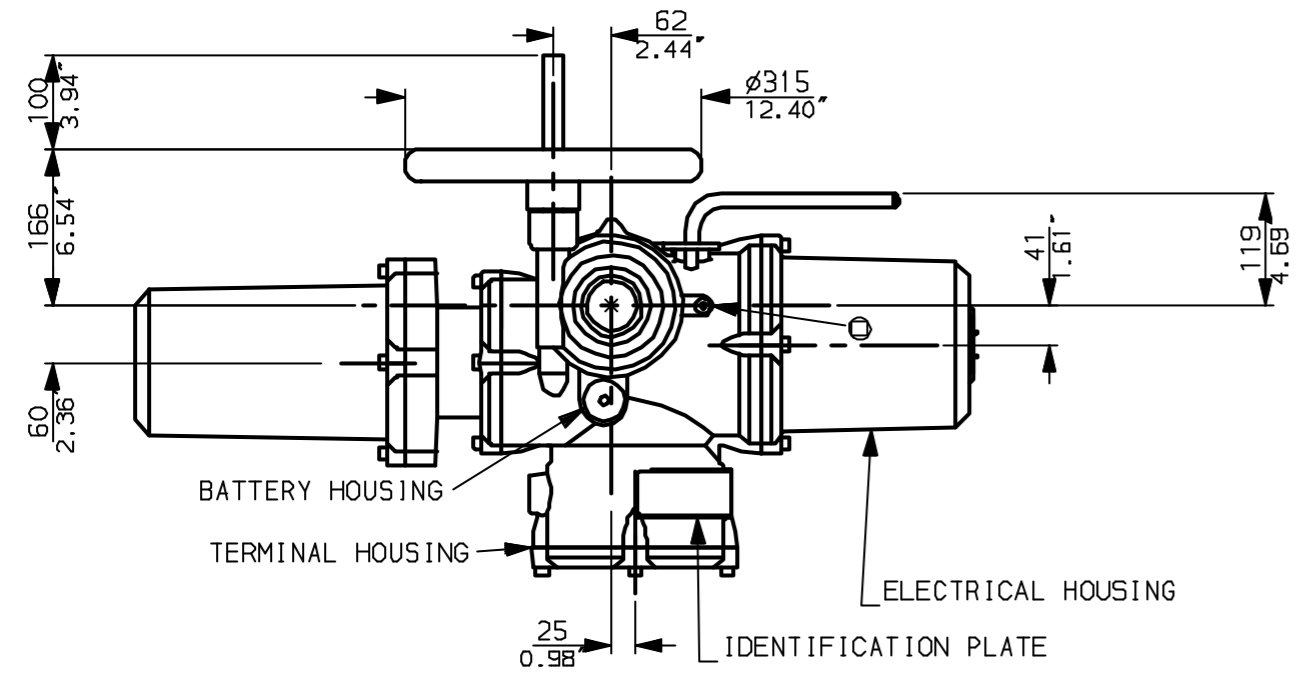


NOTES:
 : DIMENSIONS WITH '*' INDICATE COVER REMOVAL ALLOWANCE
 : NETT WEIGHT = 355kg (781 lbs)
 : = OIL FILLER/DRAIN PLUG
 : THE INTERFACE PROVIDED FOR MOUNTING THE ACTUATOR OR SECOND STAGE GEARBOX ONTO THE VALVE SHOULD CONFORM TO GOOD ENGINEERING PRACTICES, ENSURING ADEQUATELY TOLERANCED LIMITS FOR PARALLELISM, PERPENDICULARITY AND CONCENTRICITY.

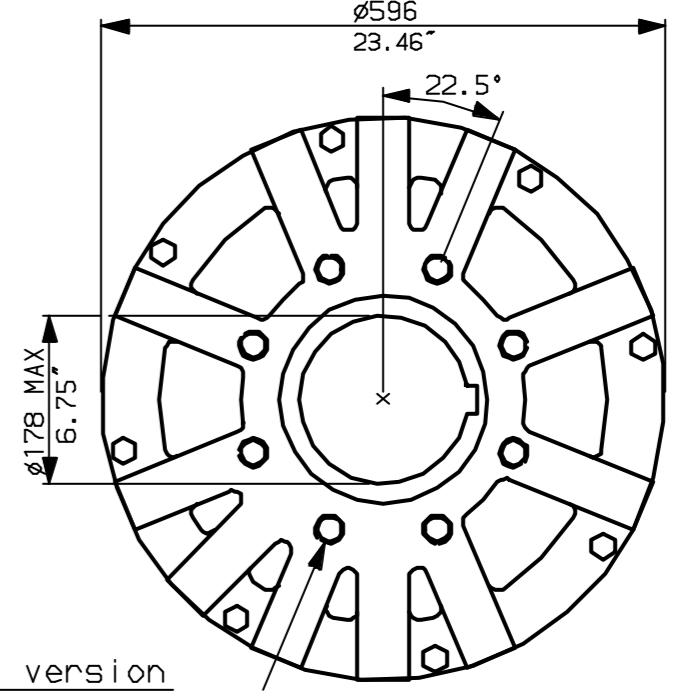
CONDUIT ENTRIES (N.T.S)



Nos.1 & 3 TAPPED 1" NPT
 No.2 TAPPED 1 1/2" NPT
 STD ALTERNATIVES IF SPECIFIED
 2 X M25, 1 X M40
 2 X PG16, 1 X PG29



N.B. KEYWAY POS. CAN BE MOVED IN 45° STEPS BY REMOVING 8 SCREWS MARKED (A) AND ROTATING OUTPUT SLEEVE.



"F" version
 8 HOLES TAPPED M20 x 30 DP
 EQUI-SPACED AS SHOWN ON A
 298 PCD (ISO 5211-F30).

"FA" version
 8 HOLES TAPPED 3/4" UNC x 1.18" dp
 EQUI-SPACED AS SHOWN ON A
 11.75" PCD (MSS SP101-FA30).



Rotork Controls Ltd.
 Bath England, BA1 3JQ.
 (Phone 01225-733200)
 Rotork Controls Inc.
 Rochester, NY 14624
 (Phone 585-328-1550)

Title IQD25, SHW, IW9Rh,		
STANDARD DIMENSIONAL DATA		
Drawn CAD	Checked PRE	Ref Data Sheet
Date April 04	Job No	IQD25SHW_IW9Rh

NOTE:
 Gearbox is shown with HIGH Ratio Input Reducer.
 (ie Ratios 960, 1080, 1440, 2160, 2520, 3000)
 See Data Sheet with IW9RL for LOW ratio option.

01	First Issue.
Scale	1:8 THIRD ANGLE PROJECTION
Drawing Number	IQD25SHW_IW9Rh

1 | 2 | 3 | 4 | 5 | 6 | 7 | 8 | 9 | 10