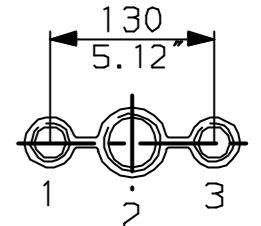


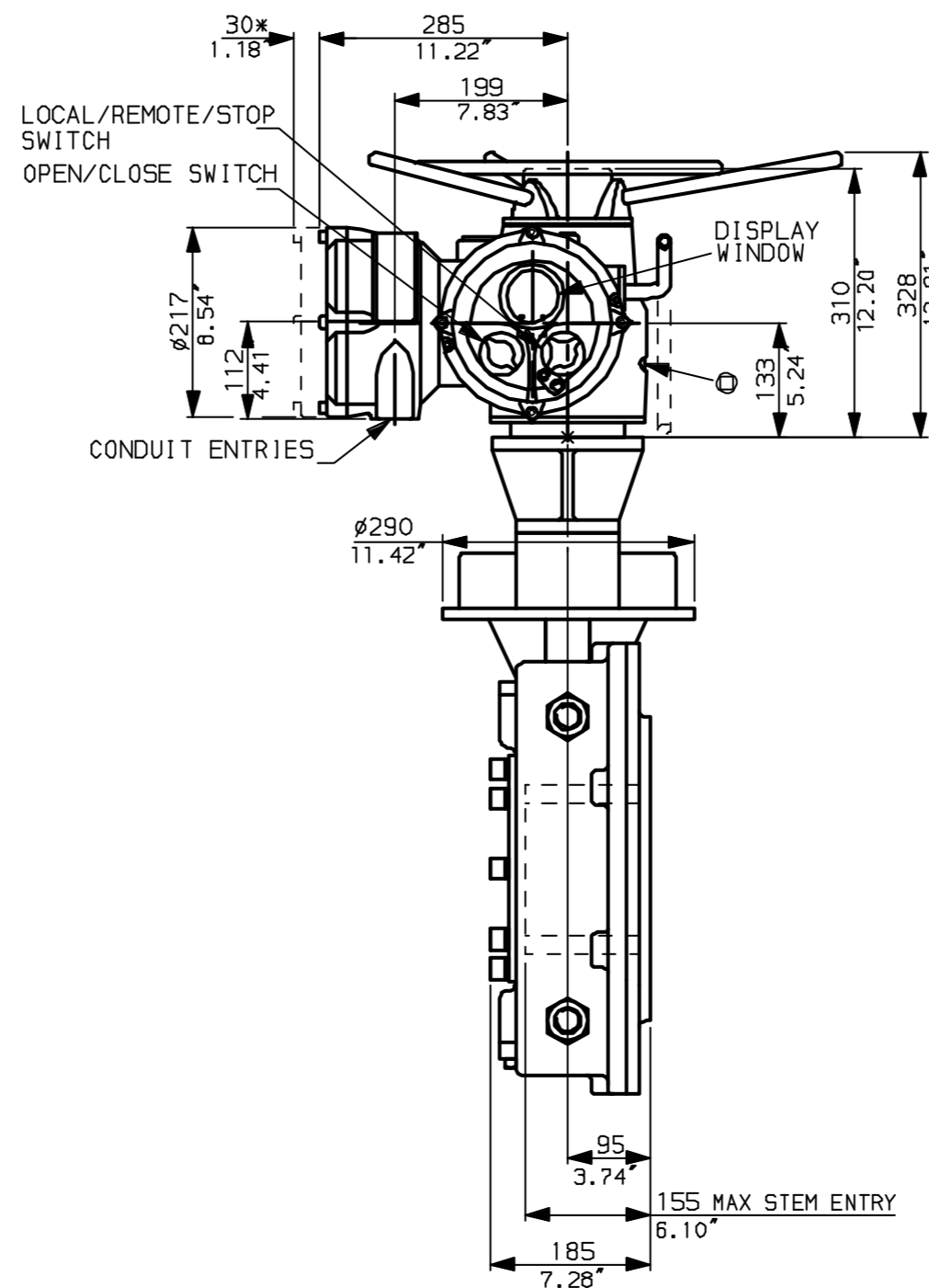
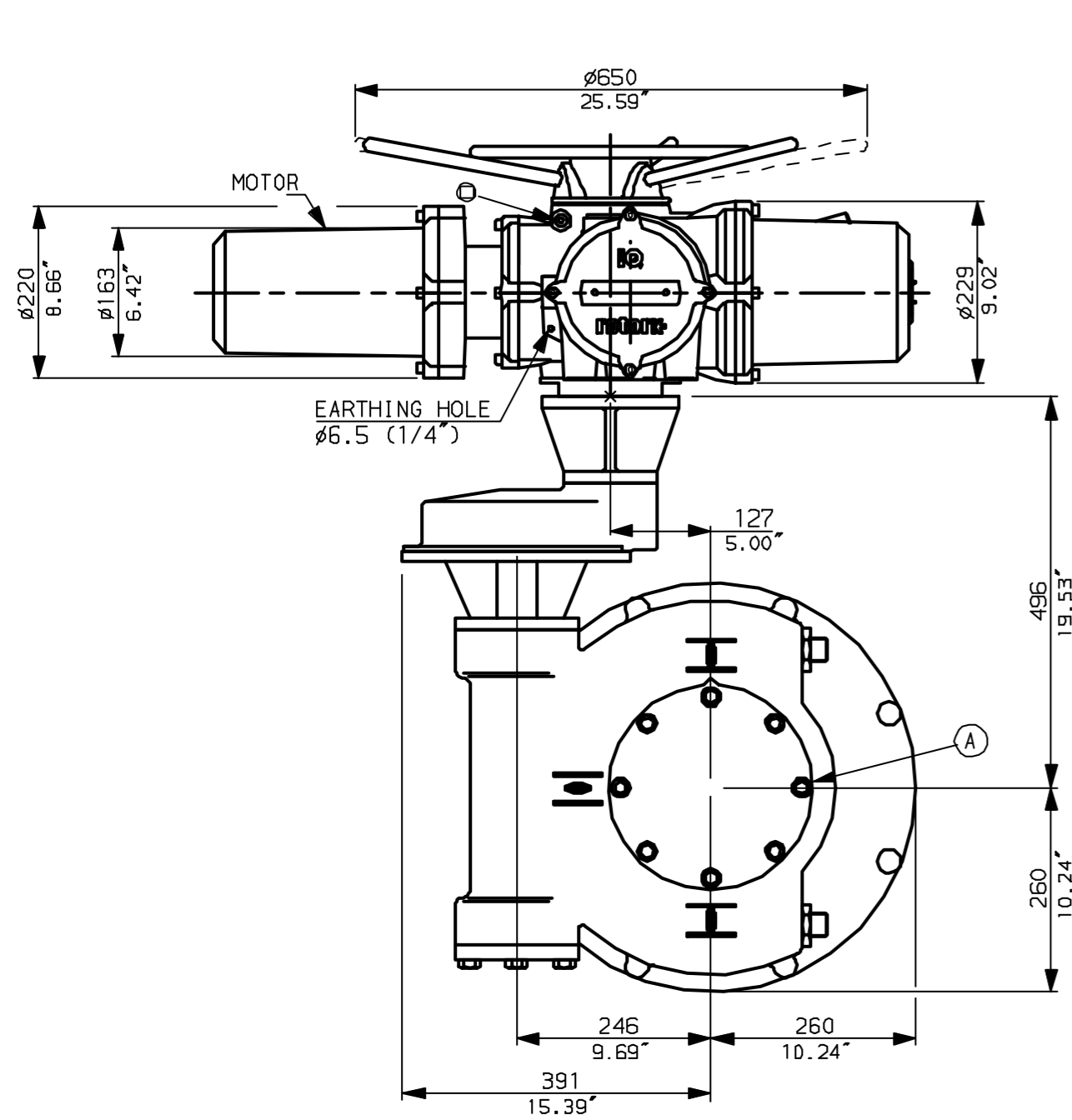
NOTES:

- DIMENSIONS WITH '*' INDICATE COVER REMOVAL ALLOWANCE
- NETT WEIGHT = 277kg (609lbs)
- \odot = OIL FILLER/DRAIN PLUG
- THE INTERFACE PROVIDED FOR MOUNTING THE ACTUATOR OR SECOND STAGE GEARBOX ONTO THE VALVE SHOULD CONFORM TO GOOD ENGINEERING PRACTICES, ENSURING ADEQUATELY TOLERANCED LIMITS FOR PARALLELISM, PERPENDICULARITY AND CONCENTRICITY.

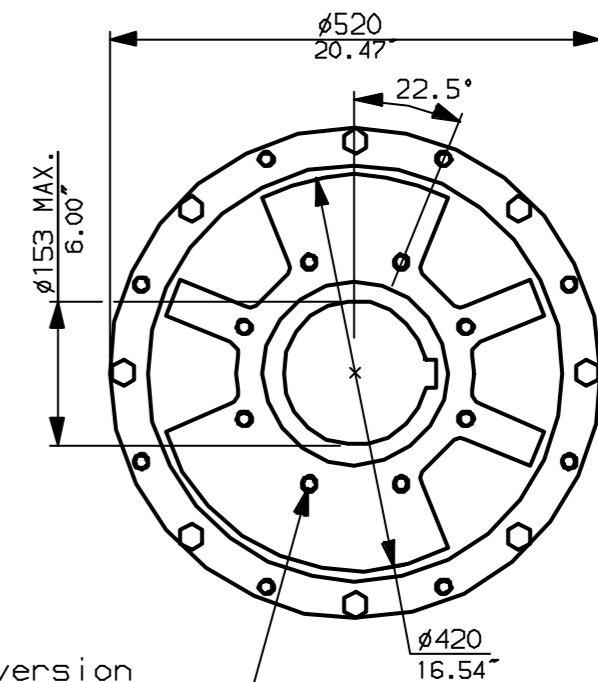
CONDUIT ENTRIES (N.T.S)



Nos.1 & 3 TAPPED 1" NPT
 No.2 TAPPED 1 1/2" NPT
 STD ALTERNATIVES IF SPECIFIED
 2 X M25, 1 X M40
 2 X PG16, 1 X PG29



N.B. KEYWAY POS. CAN BE MOVED 90 OR 180° BY REMOVING 8 SCREWS MARKED (A) AND ROTATING OUTPUT SLEEVE.



"F" version
 8 HOLES TAPPED M16 x 30 DP
 EQUI-SPACED AS SHOWN ON A
 254 PCD (ISO 5211-F25).

"FA" version
 8 HOLES TAPPED 5/8" UNC x 1.18" dp
 EQUI-SPACED AS SHOWN ON A
 10" PCD (MS5 SP101-FA25).

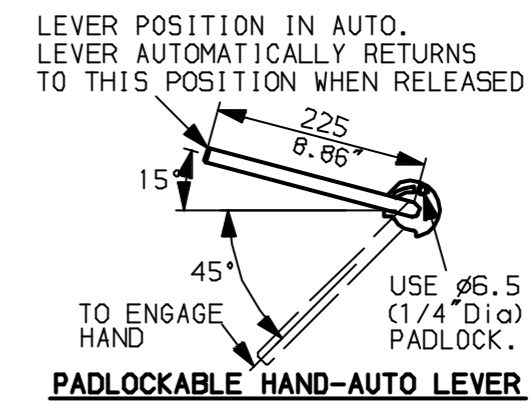
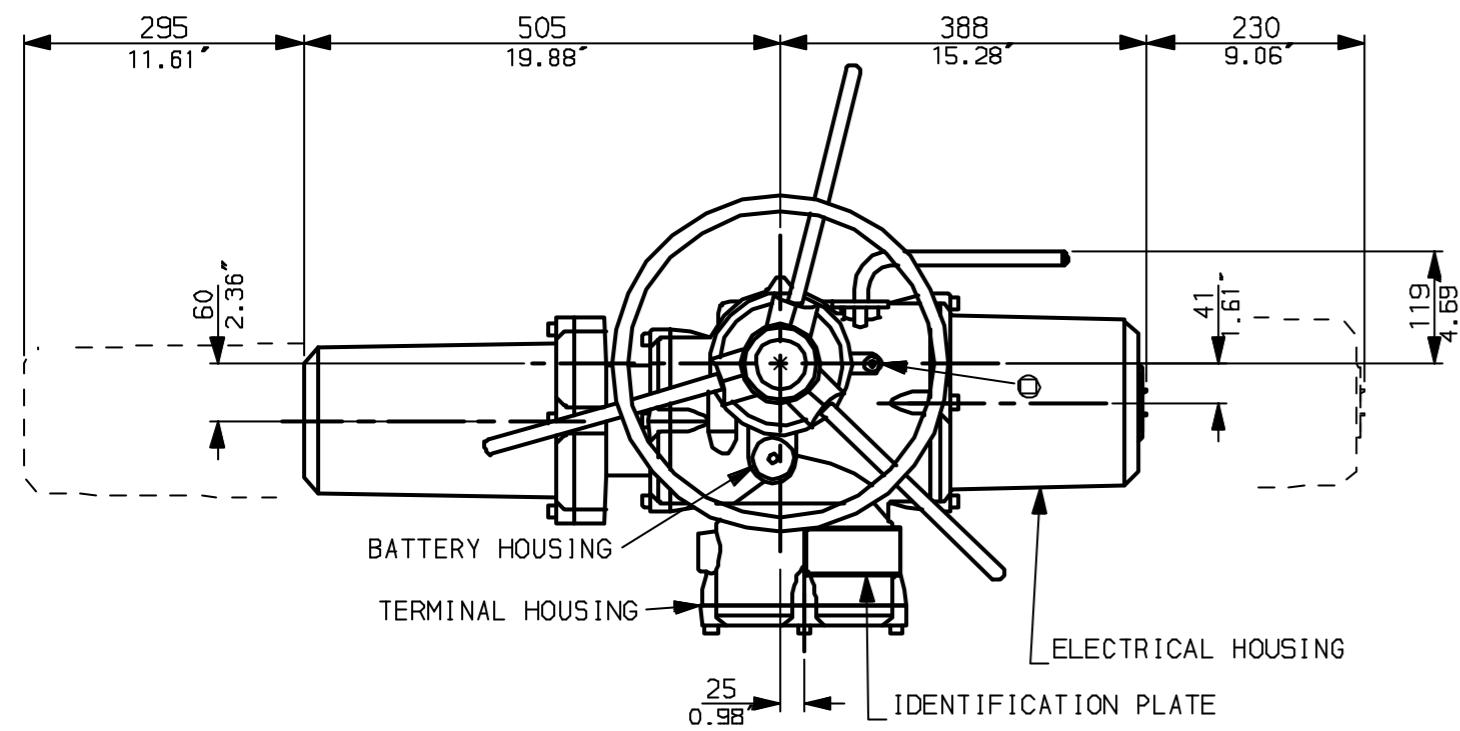
NOTE:
 Gearbox is shown with LOW Ratio Input Reducer.
 (ie Ratios 120, 180, 240, 360)
 See Data Sheet with IWRh for HIGH ratio option.

rotork
 www.rotork.com

Rotork Controls Ltd.
 Bath England, BA1 3JQ.
 (Phone 01225-733200)
 Rotork Controls Inc.
 Rochester, NY 14624
 (Phone 585-328-1550)

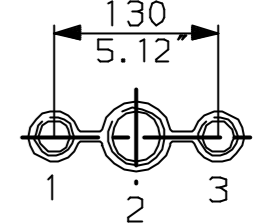
Title IQD25, THW, IW8 (+82+85) RL,	
STANDARD DIMENSIONAL DATA	
Drawn CAD	Checked PRE Ref Data Sheet
Date April 04	Job No IQD25THW_IWR RL

01	First Issue.
Scale 1:8	THIRD ANGLE PROJECTION
Drawing Number	IQD25THW_IWR RL

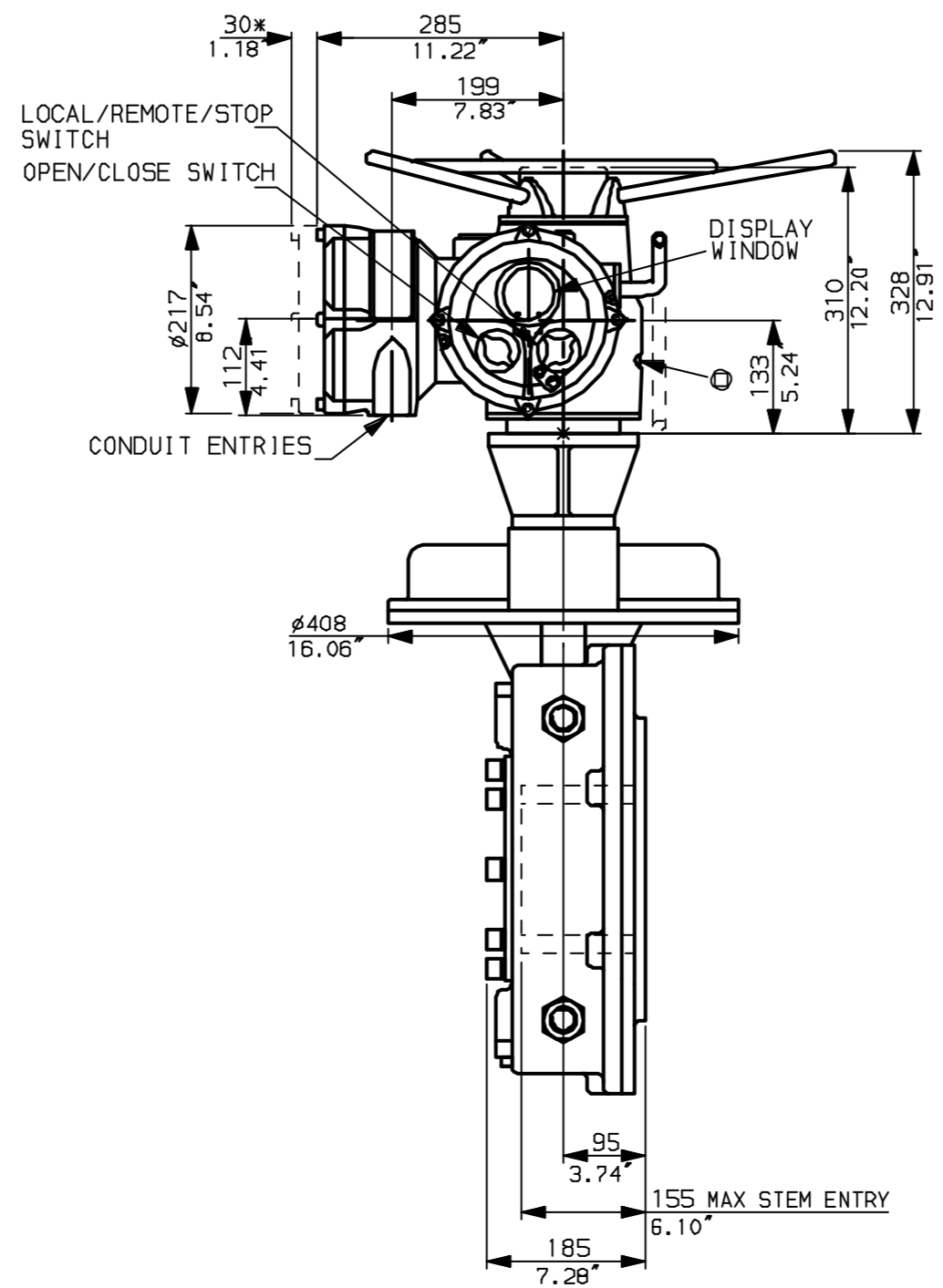
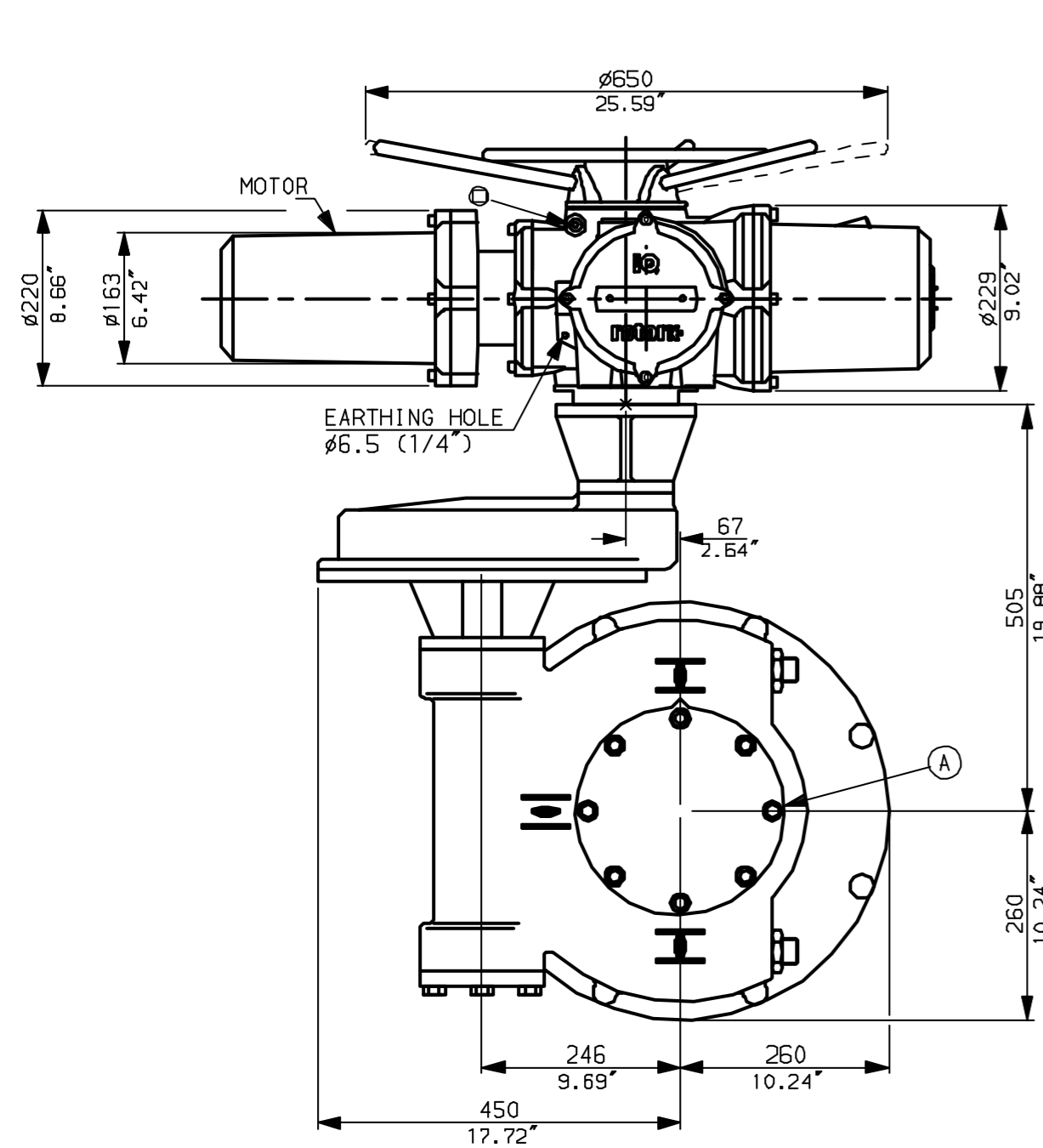


NOTES:
 * DIMENSIONS WITH '*' INDICATE COVER REMOVAL ALLOWANCE
 : NETT WEIGHT = 287kg (631 lbs)
 : \odot = OIL FILLER/DRAIN PLUG
 : THE INTERFACE PROVIDED FOR MOUNTING THE ACTUATOR OR SECOND STAGE GEARBOX ONTO THE VALVE SHOULD CONFORM TO GOOD ENGINEERING PRACTICES, ENSURING ADEQUATELY TOLERANCED LIMITS FOR PARALLELISM, PERPENDICULARITY AND CONCENTRICITY.

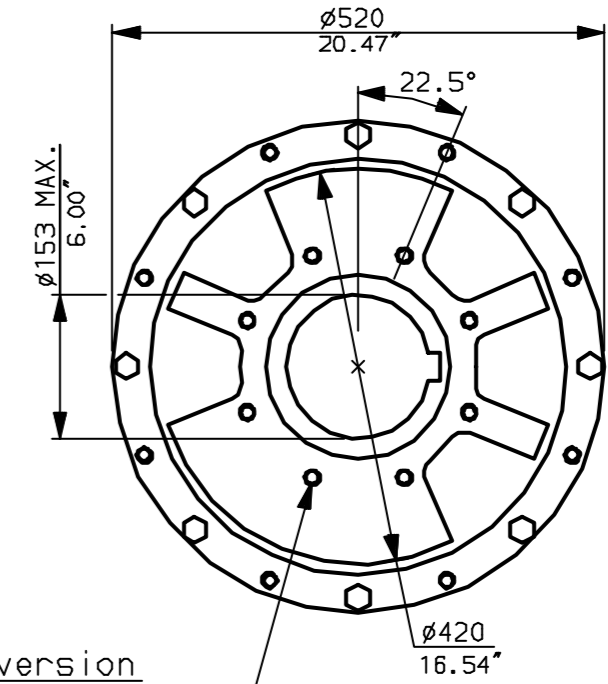
CONDUIT ENTRIES (N.T.S)



Nos.1 & 3 TAPPED 1" NPT
 No.2 TAPPED 1 1/2" NPT
 STD ALTERNATIVES IF SPECIFIED
 2 X M25, 1 X M40
 2 X PG16, 1 X PG29



N.B. KEYWAY POS. CAN BE MOVED 90 OR 180° BY REMOVING 8 SCREWS MARKED (A) AND ROTATING OUTPUT SLEEVE.



"F" version
 8 HOLES TAPPED M16 x 30 DP EQUI-SPACED AS SHOWN ON A 254 PCD (ISO 5211-F25).
 "FA" version
 8 HOLES TAPPED 5/8" UNC x 1.18" dp EQUI-SPACED AS SHOWN ON A 10" PCD (MSS 5P101-FA25).

NOTE:
 Gearbox is shown with HIGH Ratio Input Reducer. (ie Ratios 480,540,720)
 See Data Sheet with IW8RL for LOW ratio option.

rotork
 www.rotork.com

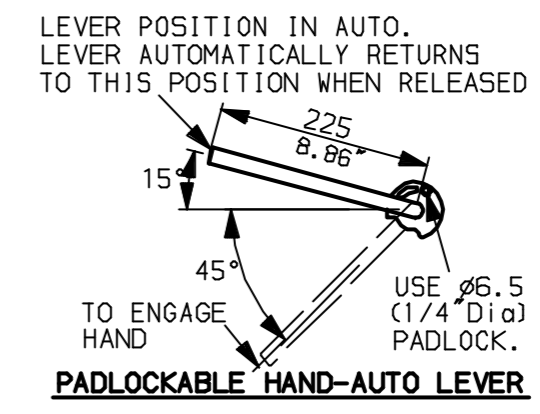
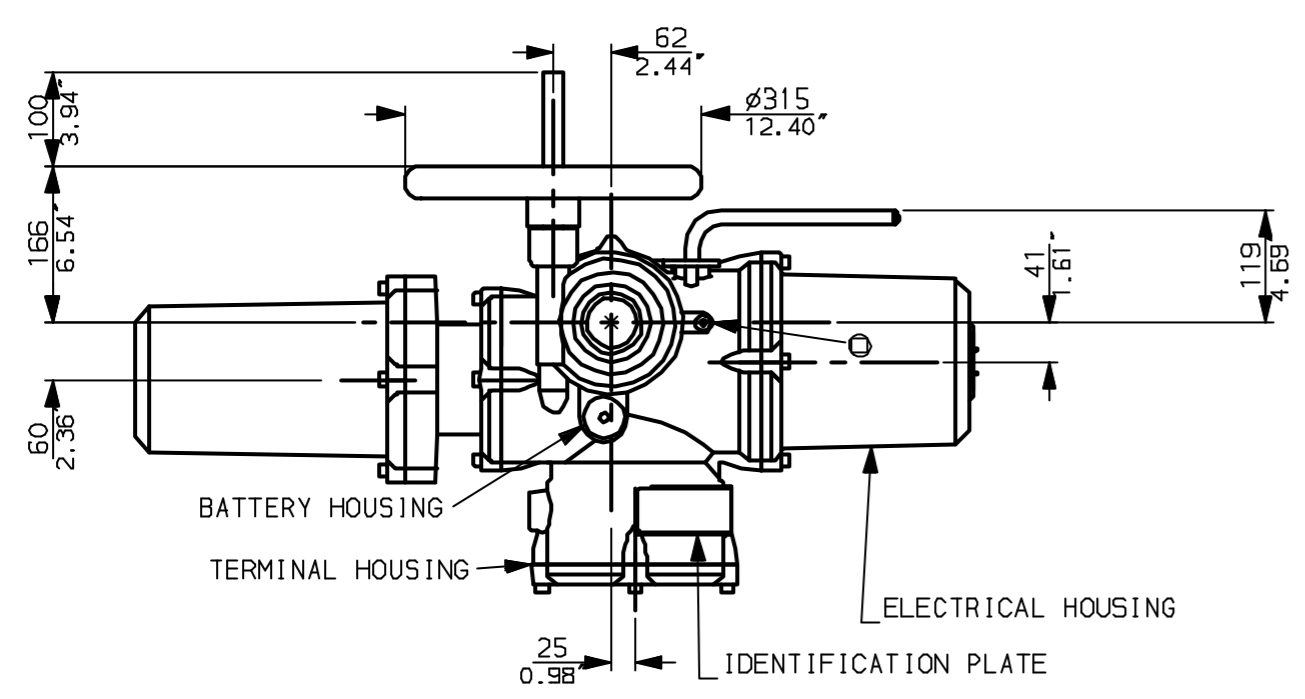
Rotork Controls Ltd.
 Bath England, BA1 3JQ.
 (Phone 01225-733200)

Rotork Controls Inc.
 Rochester, NY 14624
 (Phone 585-328-1550)

Title IQD25, THW, IW8 (+82+85) Rh,		
STANDARD DIMENSIONAL DATA		
Drawn CAD	Checked PRE	Ref Data Sheet
Date April 04	Job No	IQD25THW_IW8Rh

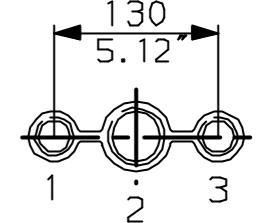
01	First Issue.
Scale	1:8 THIRD ANGLE PROJECTION
Drawing Number	IQD25THW_IW8Rh

G
F
E
D
C
B
A

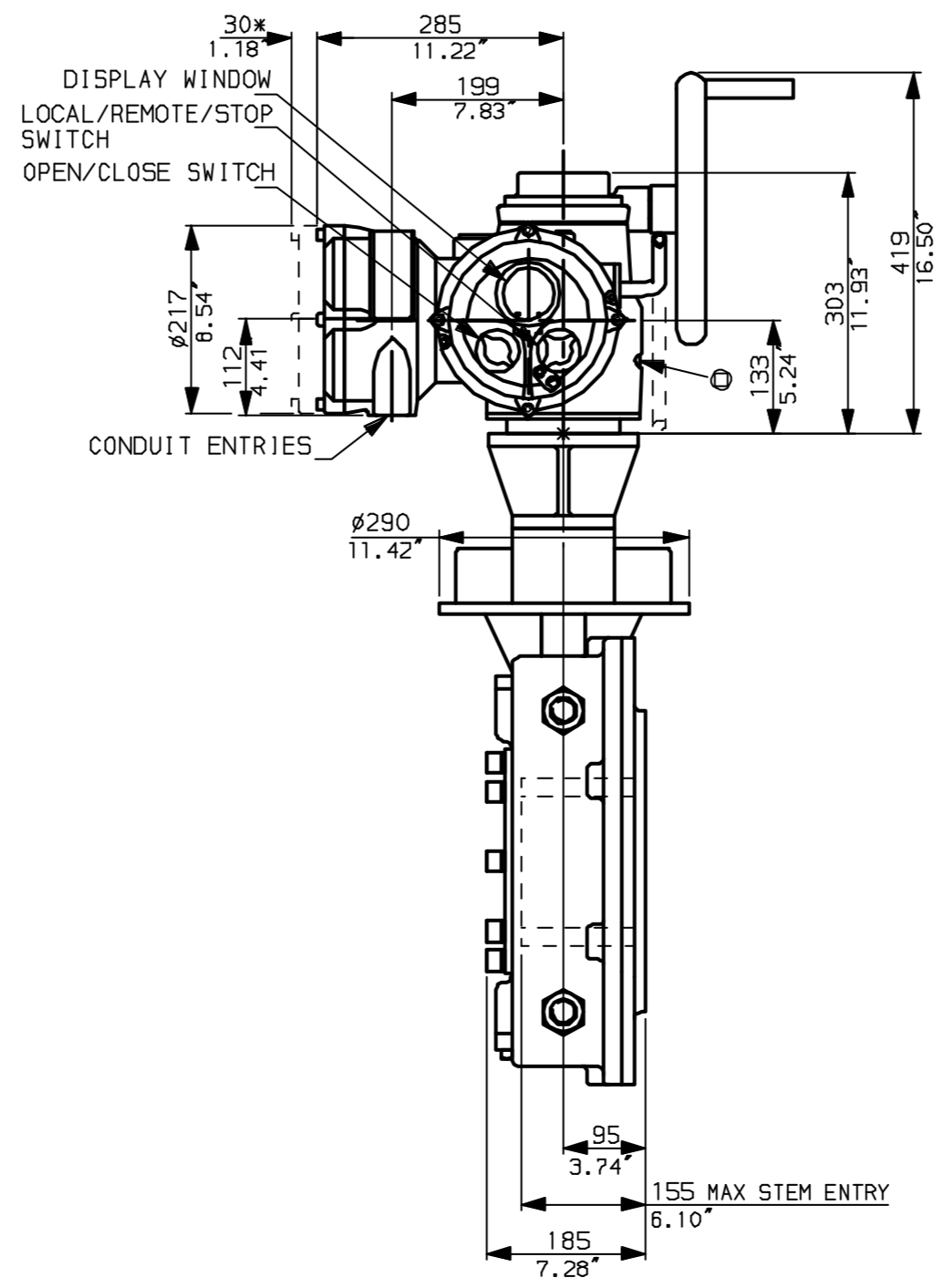
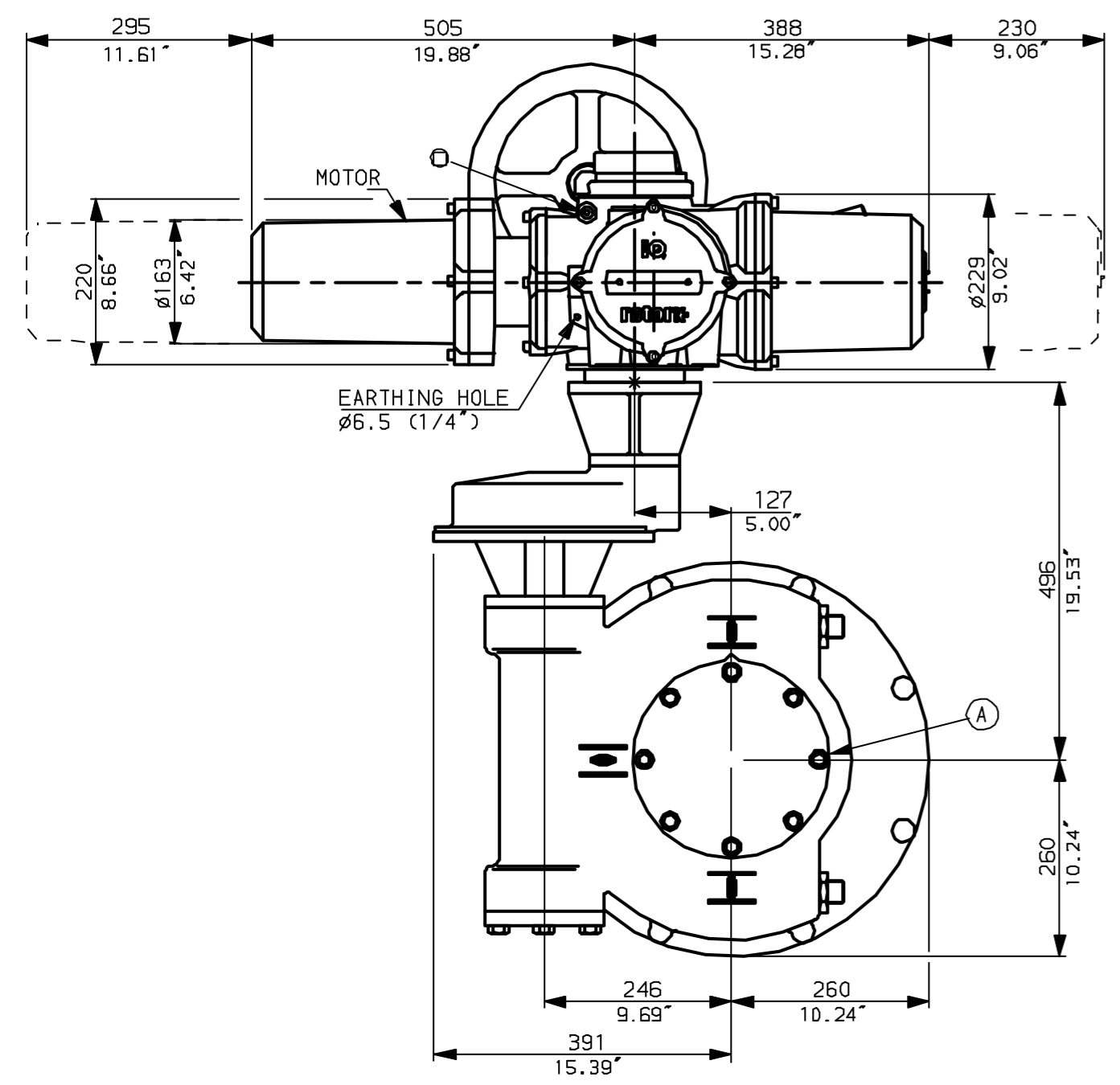


NOTES:
 * DIMENSIONS WITH '*' INDICATE COVER REMOVAL ALLOWANCE
 : NETT WEIGHT = 277kg (609lbs)
 : ϕ = OIL FILLER/DRAIN PLUG
 : THE INTERFACE PROVIDED FOR MOUNTING THE ACTUATOR OR SECOND STAGE GEARBOX ONTO THE VALVE SHOULD CONFORM TO GOOD ENGINEERING PRACTICES, ENSURING ADEQUATELY TOLERANCED LIMITS FOR PARALLELISM, PERPENDICULARITY AND CONCENTRICITY.

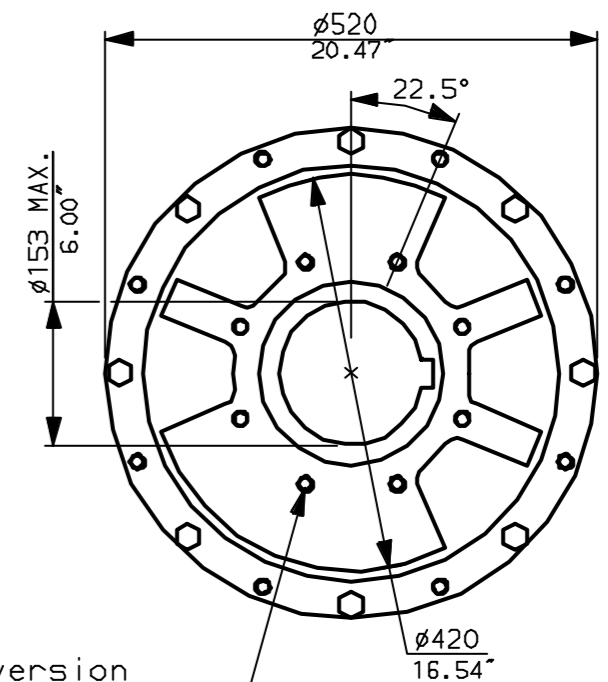
CONDUIT ENTRIES (N.T.S)



Nos.1 & 3 TAPPED 1" NPT
 No.2 TAPPED 1 1/2" NPT
 STD ALTERNATIVES IF SPECIFIED
 2 X M25, 1 X M40
 2 X PG16, 1 X PG29



N.B. KEYWAY POS. CAN BE MOVED 90 OR 180° BY REMOVING 8 SCREWS MARKED (A) AND ROTATING OUTPUT SLEEVE.



"F" version
 8 HOLES TAPPED M16 x 30 DP
 EQUI-SPACED AS SHOWN ON A
 254 PCD (ISO 5211-F25).
 "FA" version
 8 HOLES TAPPED 5/8" UNC x 1.18" dp
 EQUI-SPACED AS SHOWN ON A
 10" PCD (MSS 5P101-FA25).



Rotork Controls Ltd.
 Bath England, BA1 3JQ.
 (Phone 01225-733200)
 Rotork Controls Inc.
 Rochester, NY 14624
 (Phone 585-328-1550)

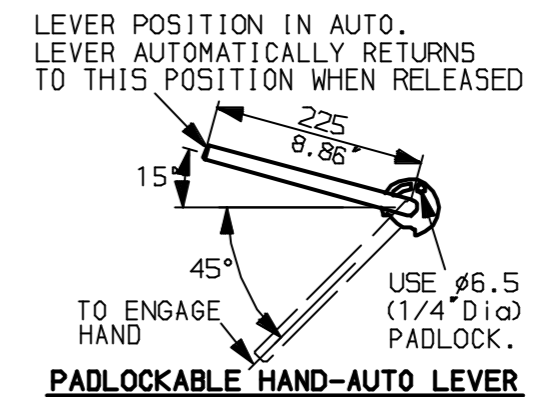
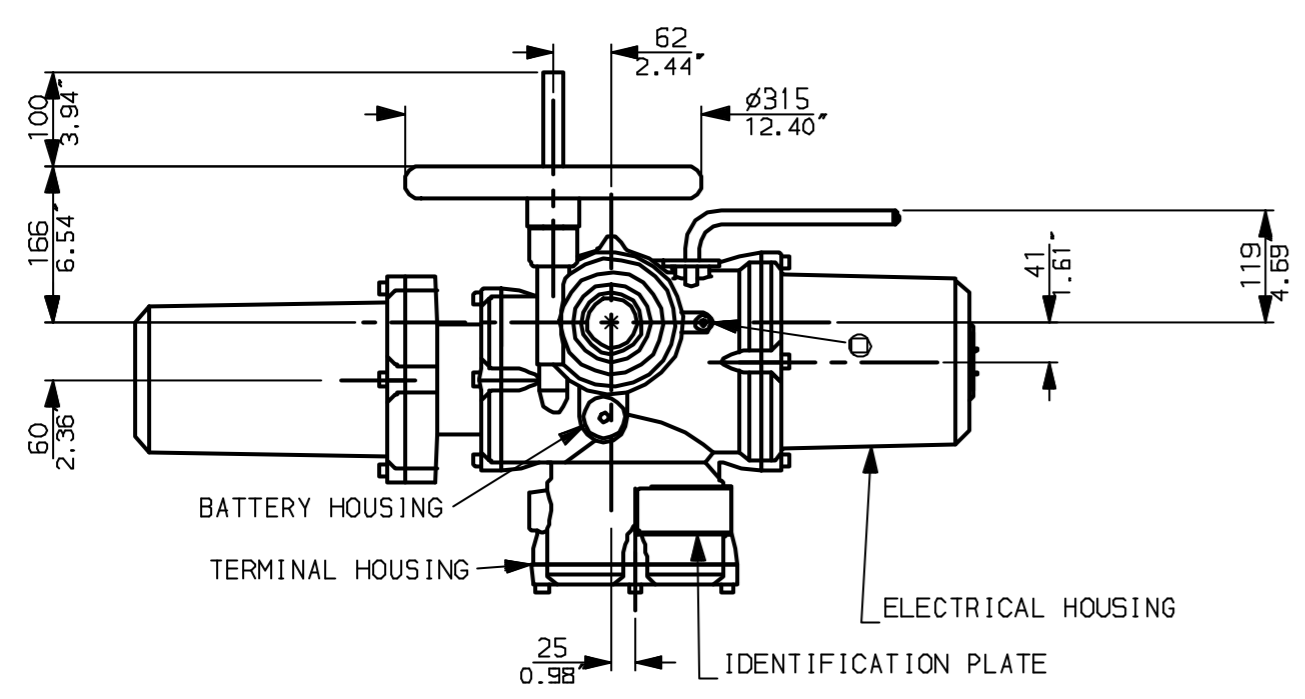
Title IQD25, SHW, IW8 (+82+85) RL,		
STANDARD DIMENSIONAL DATA		
Drawn CAD	Checked PRE	Ref Data Sheet
Date April 04	Job No	IQD25SHW_IW8RL

NOTE:
 Gearbox is shown with LOW Ratio Input Reducer.
 (ie Ratios 120, 180, 240, 360)
 See Data Sheet with IW8Rh for HIGH ratio option.

01	First Issue.
Scale	1:8 THIRD ANGLE PROJECTION
Drawing Number	IQD25SHW_IW8RL

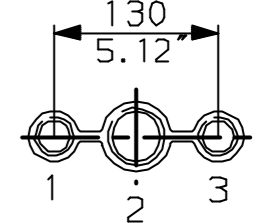
1 | 2 | 3 | 4 | 5 | 6 | 7 | 8 | 9 | 10

G
F
E
D
C
B
A

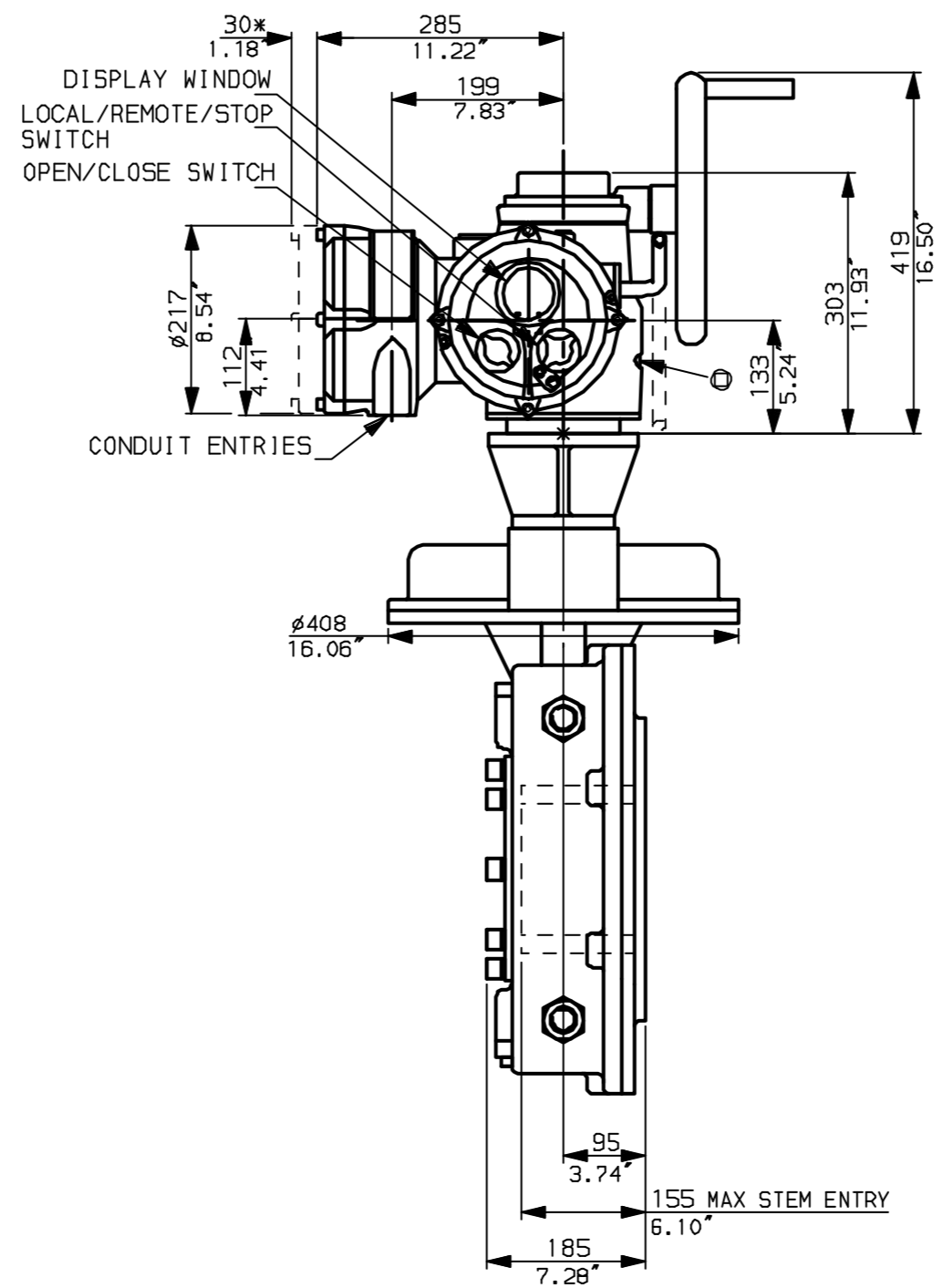
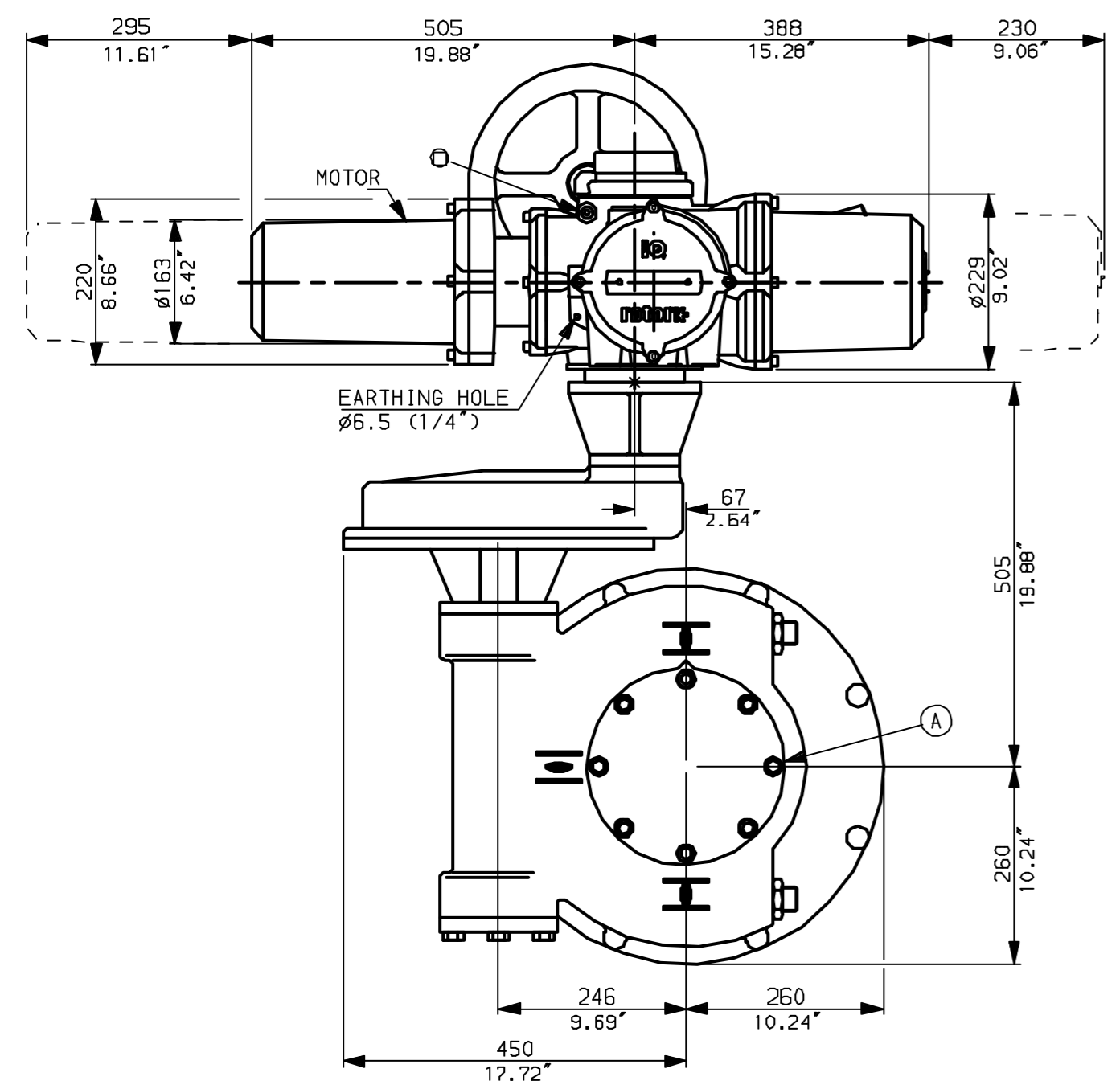


NOTES:
 * DIMENSIONS WITH '*' INDICATE COVER REMOVAL ALLOWANCE
 : NETT WEIGHT = 287kg (631 lbs)
 : \odot = OIL FILLER/DRAIN PLUG
 : THE INTERFACE PROVIDED FOR MOUNTING THE ACTUATOR OR SECOND STAGE GEARBOX ONTO THE VALVE SHOULD CONFORM TO GOOD ENGINEERING PRACTICES, ENSURING ADEQUATELY TOLERANCED LIMITS FOR PARALLELISM, PERPENDICULARITY AND CONCENTRICITY.

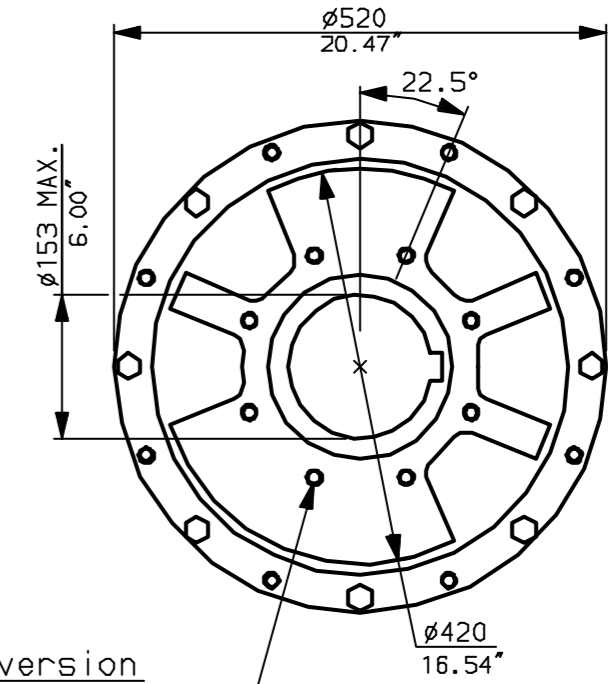
CONDUIT ENTRIES (N.T.S)



Nos.1 & 3 TAPPED 1" NPT
 No.2 TAPPED 1 1/2" NPT
 STD ALTERNATIVES IF SPECIFIED
 2 X M25, 1 X M40
 2 X PG16, 1 X PG29



N.B. KEYWAY POS. CAN BE MOVED 90 OR 180° BY REMOVING 8 SCREWS MARKED (A) AND ROTATING OUTPUT SLEEVE.



"F" version
 8 HOLES TAPPED M16 x 30 DP EQUI-SPACED AS SHOWN ON A 254 PCD (ISO 5211-F25).
 "FA" version
 8 HOLES TAPPED 5/8" UNC x 1.18" dp EQUI-SPACED AS SHOWN ON A 10" PCD (MSS 5P101-FA25).



Rotork Controls Ltd.
 Bath England, BA1 3JQ.
 (Phone 01225-733200)
 Rotork Controls Inc.
 Rochester, NY 14624
 (Phone 585-328-1550)

Title IQD25, SHW, IW8 (+82+85) Rh,		
STANDARD DIMENSIONAL DATA		
Drawn CAD	Checked PRE	Ref Data Sheet
Date April 04	Job No	IQD25SHW_IW8Rh

NOTE:
 Gearbox is shown with HIGH Ratio Input Reducer.
 (ie Ratios 480, 540, 720)
 See Data Sheet with IW8RL for LOW ratio option.

01	First Issue.
Scale	1:8 THIRD ANGLE PROJECTION
Drawing Number	IQD25SHW_IW8Rh

1 | 2 | 3 | 4 | 5 | 6 | 7 | 8 | 9 | 10