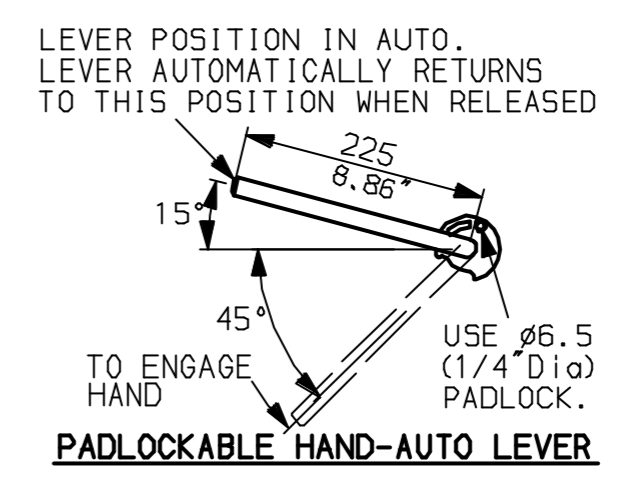
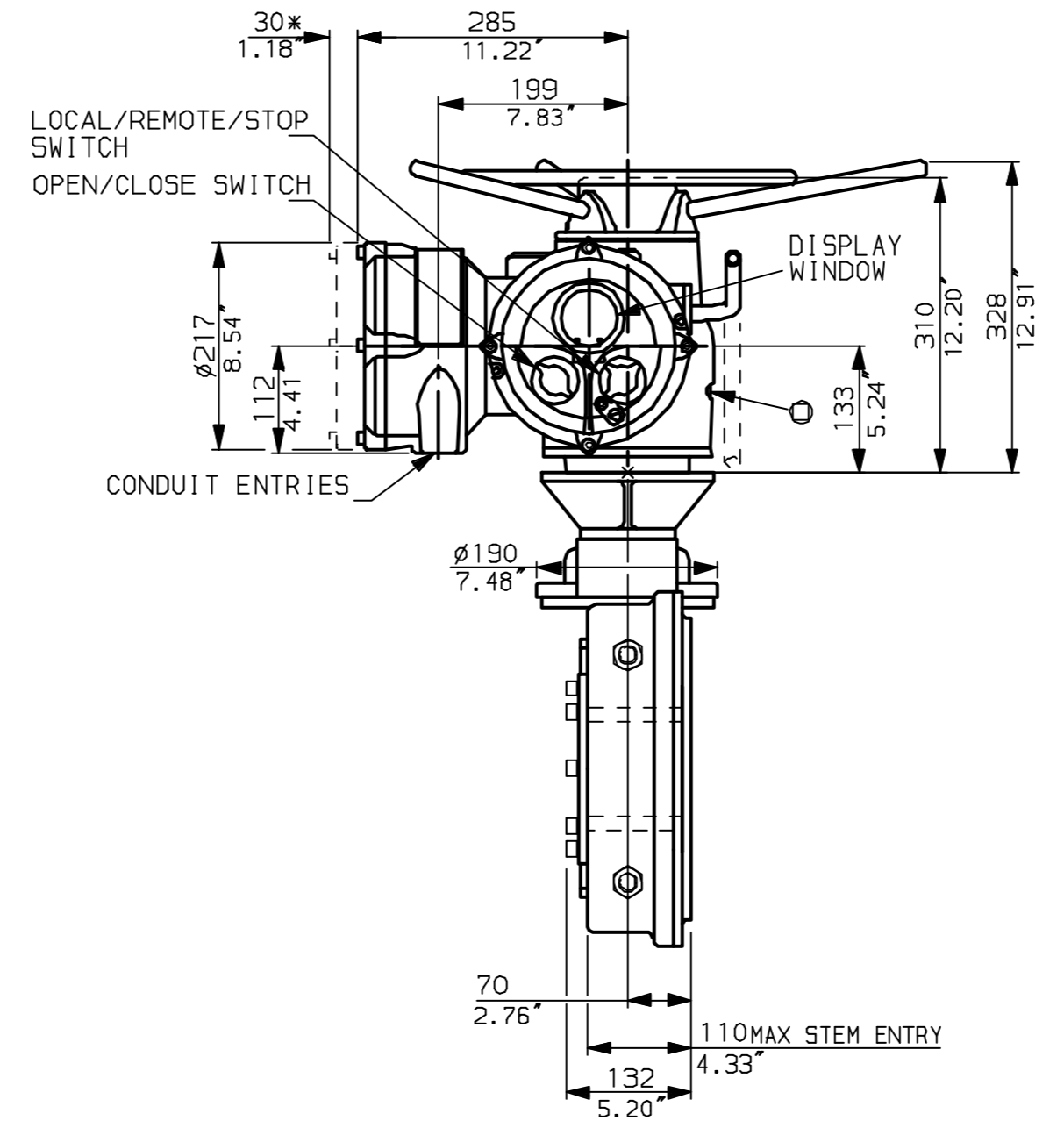
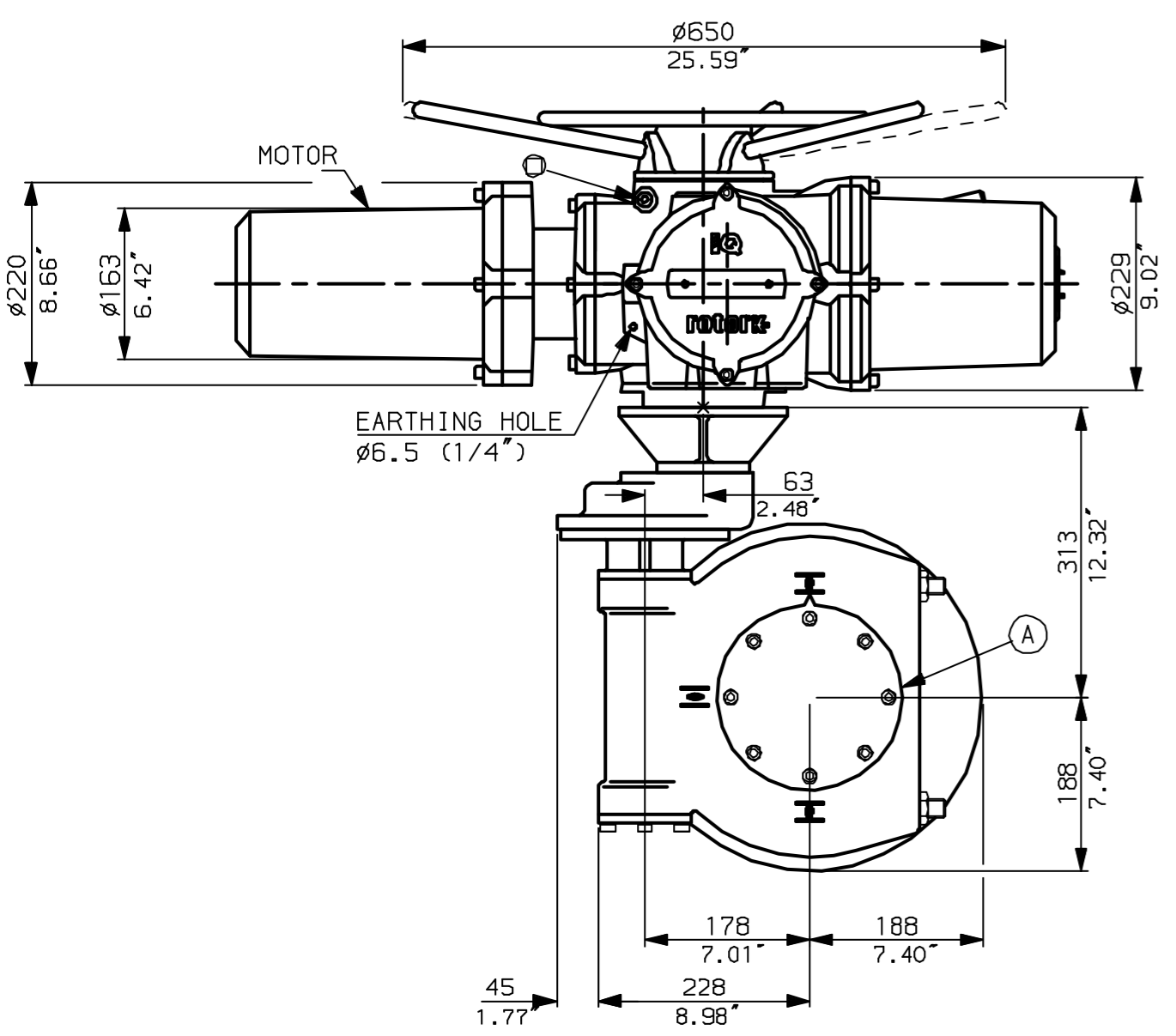
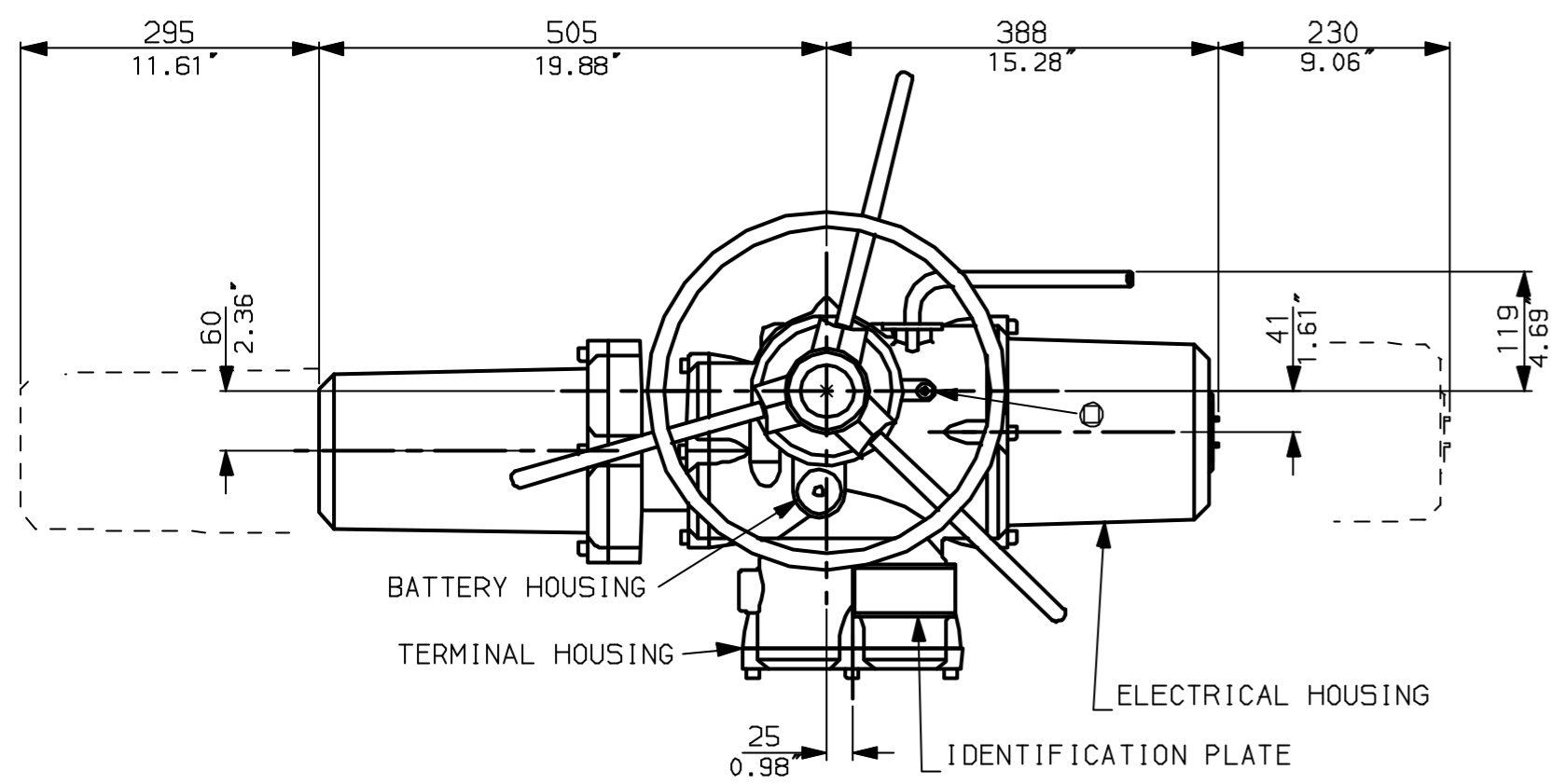
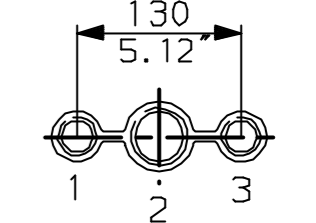


G  
F  
E  
D  
C  
B  
A



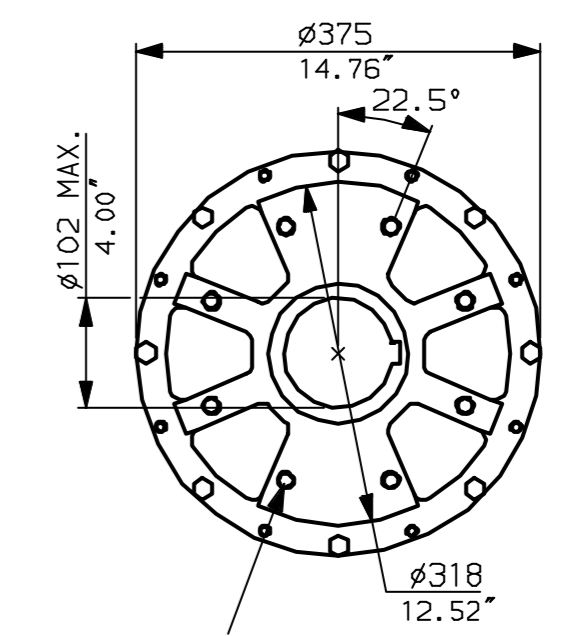
NOTES:  
 \* DIMENSIONS WITH '\*' INDICATE COVER REMOVAL ALLOWANCE  
 : NETT WEIGHT = 144kg (317lbs)  
 :  $\phi$  = OIL FILLER/DRAIN PLUG  
 : THE INTERFACE PROVIDED FOR MOUNTING THE ACTUATOR OR SECOND STAGE GEARBOX ONTO THE VALVE SHOULD CONFORM TO GOOD ENGINEERING PRACTICES, ENSURING ADEQUATELY TOLERANCED LIMITS FOR PARALLELISM, PERPENDICULARITY AND CONCENTRICITY.

**CONDUIT ENTRIES** (N.T.S)



Nos.1 & 3 TAPPED 1" NPT  
 No.2 TAPPED 1 1/2" NPT  
 STD ALTERNATIVES IF SPECIFIED  
 2 X M25, 1 X M40  
 2 X PG16, 1 X PG29

N.B. KEYWAY POS. CAN BE MOVED 90 OR 180° BY REMOVING 8 SCREWS MARKED (A) AND ROTATING OUTPUT SLEEVE.



"F" version  
 8 HOLES TAPPED M16 x 16 DP  
 EQUI-SPACED AS SHOWN ON A  
 254 PCD (ISO 5211-F25).  
 "FA" version  
 8 HOLES TAPPED 5/8" UNC x 0.63" dp  
 EQUI-SPACED AS SHOWN ON A  
 10" PCD (MSS 5P101-FA25).



Rotork Controls Ltd.  
 Bath England, BA1 3JQ.  
 (Phone 01225-733200)  
 Rotork Controls Inc.  
 Rochester, NY 14624  
 (Phone 585-328-1550)

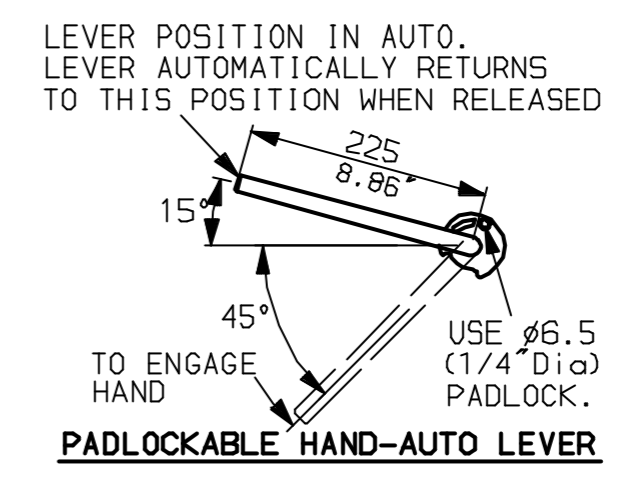
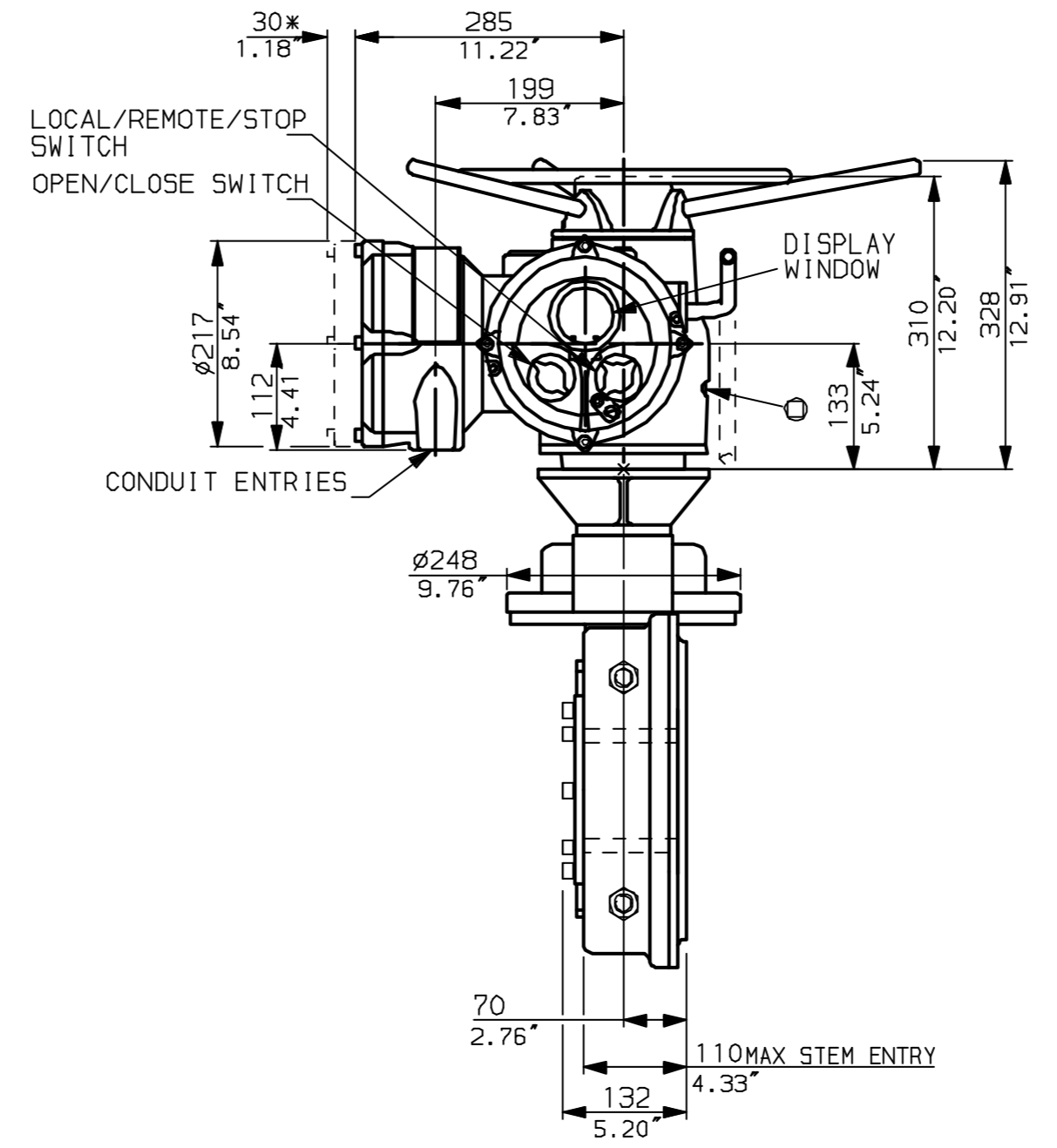
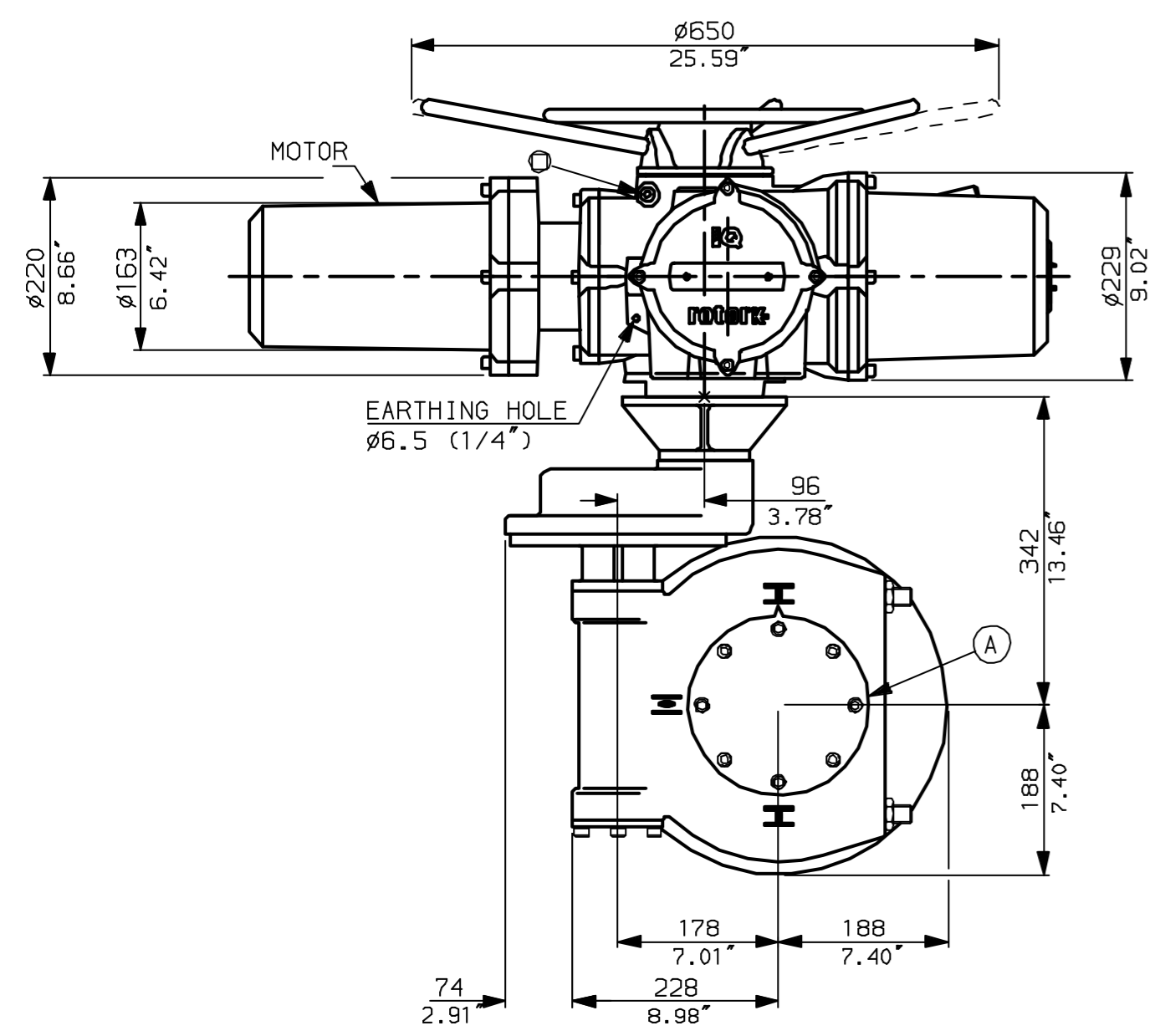
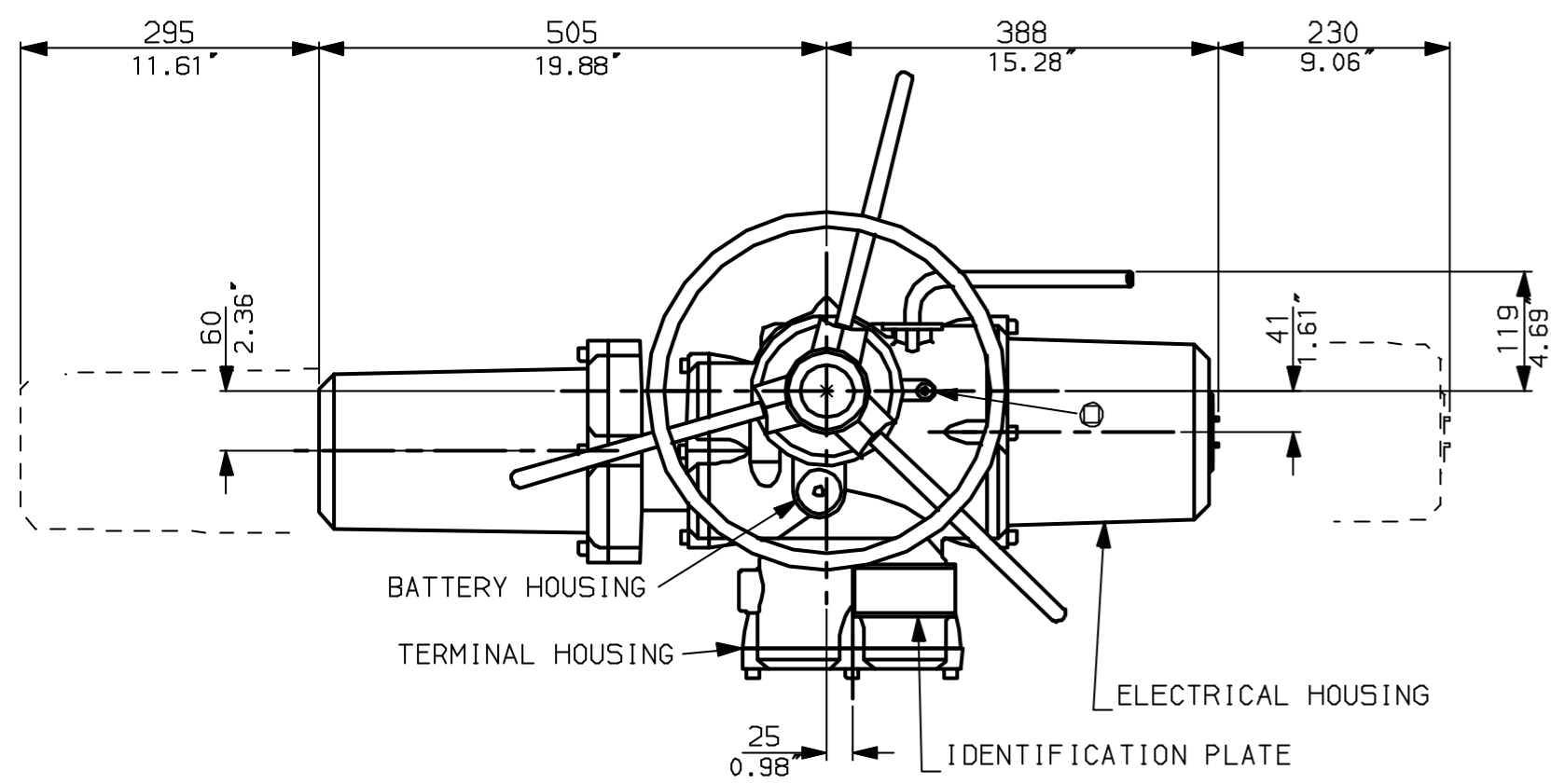
Title IQD25, THW, IW6 (+63) RL,		
STANDARD DIMENSIONAL DATA		
Drawn CAD	Checked PRE	Ref Data Sheet
Date April 04	Job No	IQD25THW_IW6RL

NOTE:  
 Gearbox is shown with LOW Ratio Input Reducer.  
 (ie Ratios 140,210,280)  
 See Data Sheet with IW6Rh for HIGH ratio option.

01	First Issue.
Scale	1:7 THIRD ANGLE PROJECTION
Drawing Number	IQD25THW_IW6RL

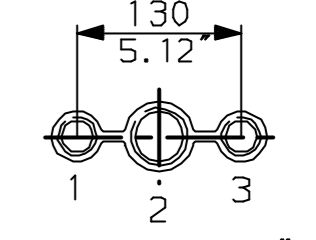
1 | 2 | 3 | 4 | 5 | 6 | 7 | 8 | 9 | 10

G  
F  
E  
D  
C  
B  
A



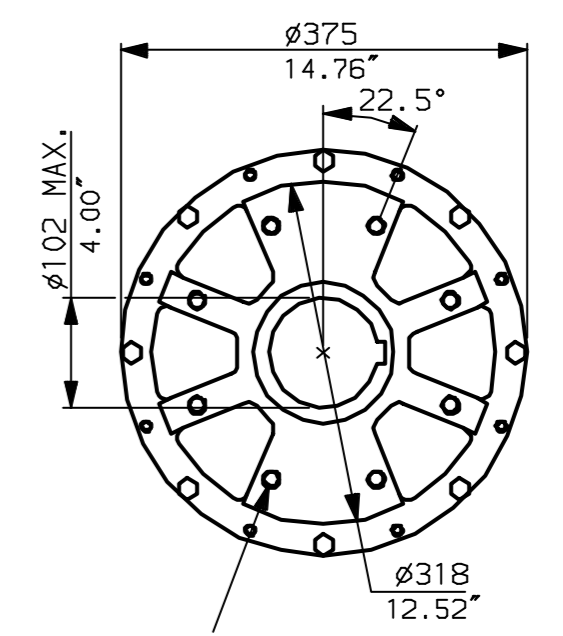
NOTES:  
DIMENSIONS WITH '\*' INDICATE COVER REMOVAL ALLOWANCE  
NETT WEIGHT = 149kg (328lbs)  
○ = OIL FILLER/DRAIN PLUG  
THE INTERFACE PROVIDED FOR MOUNTING THE ACTUATOR OR SECOND STAGE GEARBOX ONTO THE VALVE SHOULD CONFORM TO GOOD ENGINEERING PRACTICES, ENSURING ADEQUATELY TOLERANCED LIMITS FOR PARALLELISM, PERPENDICULARITY AND CONCENTRICITY.

CONDUIT ENTRIES (N.T.S)



Nos.1 & 3 TAPPED 1" NPT  
No.2 TAPPED 1 1/2" NPT  
STD ALTERNATIVES IF SPECIFIED  
2 X M25, 1 X M40  
2 X PG16, 1 X PG29

N.B. KEYWAY POS. CAN BE MOVED 90 OR 180° BY REMOVING 8 SCREWS MARKED (A) AND ROTATING OUTPUT SLEEVE.



"F" version  
8 HOLES TAPPED M16 x 16 DP  
EQUI-SPACED AS SHOWN ON A 254 PCD (ISO 5211-F25).

"FA" version  
8 HOLES TAPPED 5/8" UNC x 0.63" dp  
EQUI-SPACED AS SHOWN ON A 10" PCD (MSS SP101-FA25).



Rotork Controls Ltd.  
Bath England, BA1 3JQ.  
(Phone 01225-733200)

Rotork Controls Inc.  
Rochester, NY 14624  
(Phone 585-328-1550)

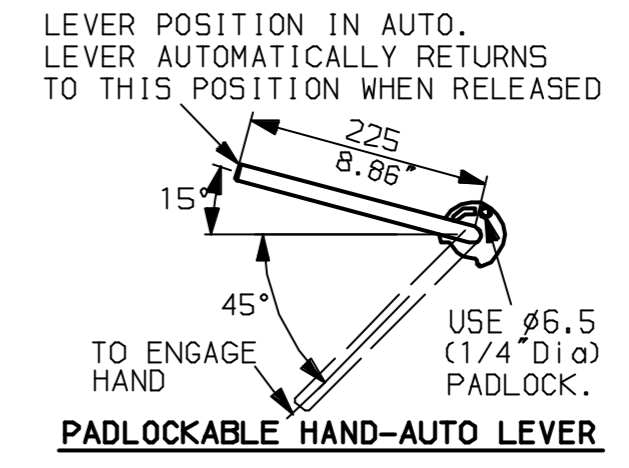
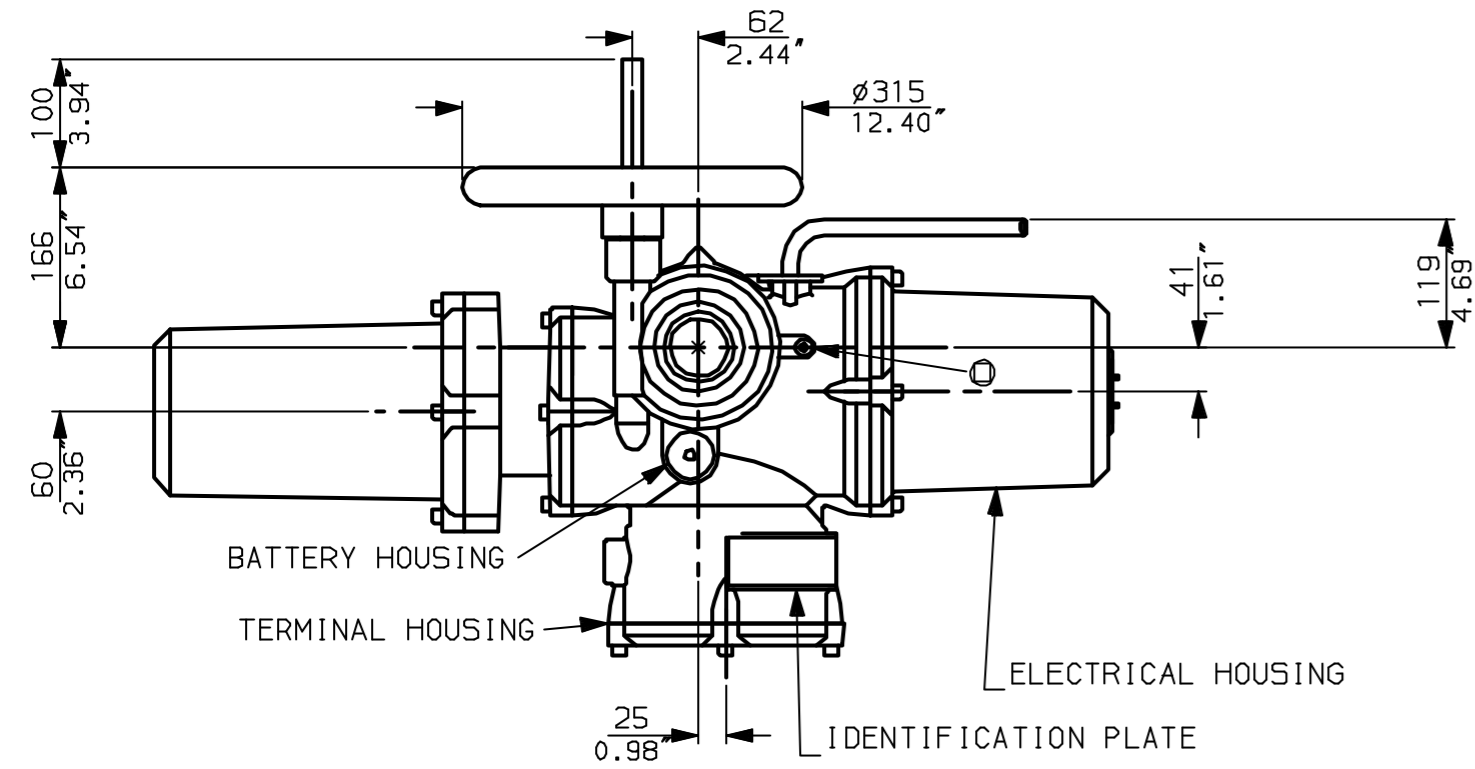
Title IQD25, THW, IW6 (+63) Rh,	
STANDARD DIMENSIONAL DATA	
Drawn CAD	Checked PRE    Ref Data Sheet
Date April 04	Job No IQD25THW_IW6Rh

NOTE:  
Gearbox is shown with HIGH Ratio Input Reducer.  
(ie Ratios 350, 420)  
See Data Sheet with IW6RL for LOW ratio option.

01 Issue	First Issue.
Scale 1:7	THIRD ANGLE PROJECTION
Drawing Number	IQD25THW_IW6Rh

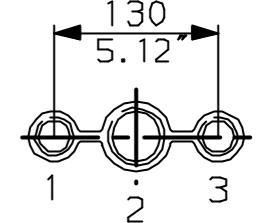
1 | 2 | 3 | 4 | 5 | 6 | 7 | 8 | 9 | 10

G  
F  
E  
D  
C  
B  
A

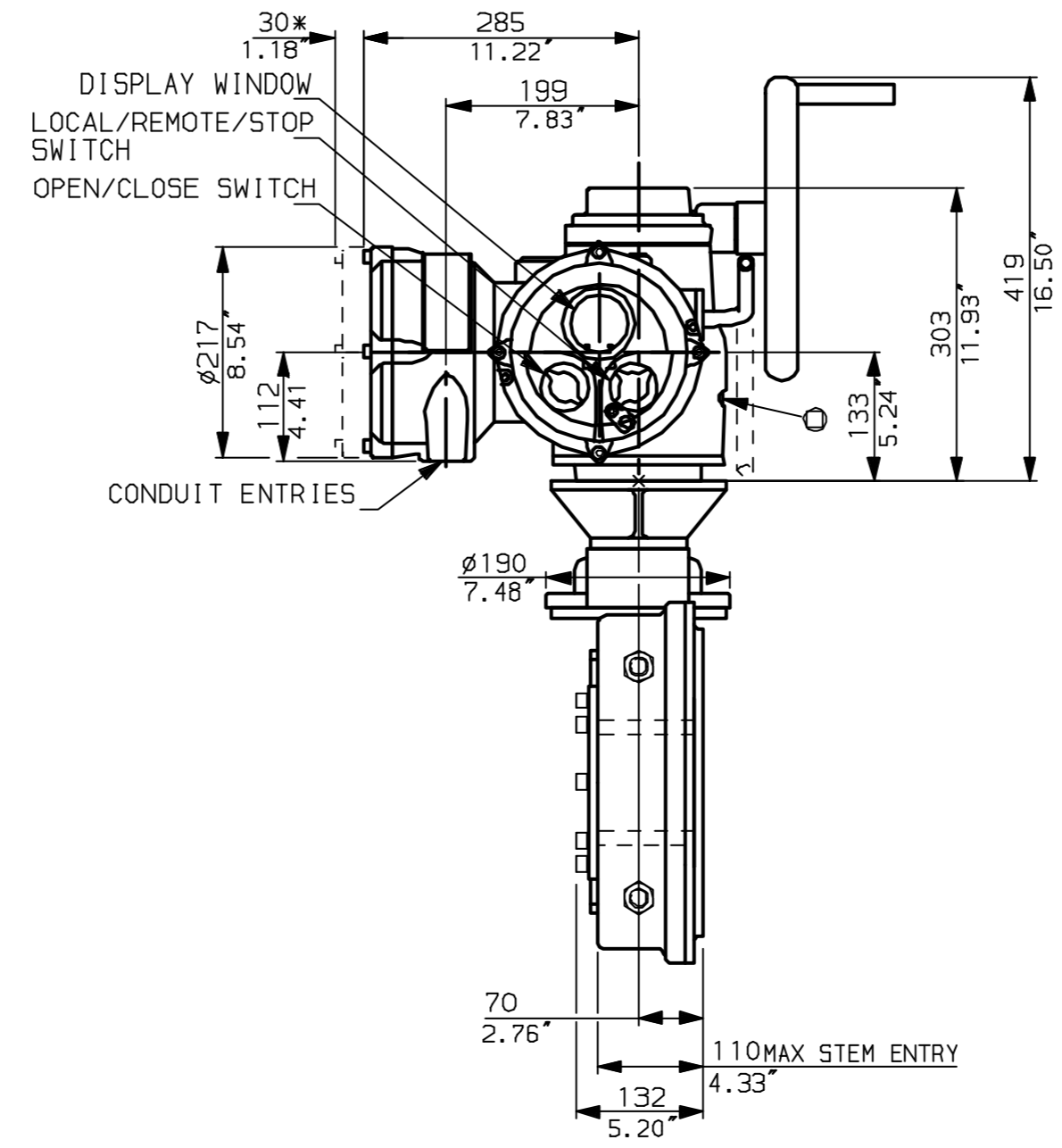
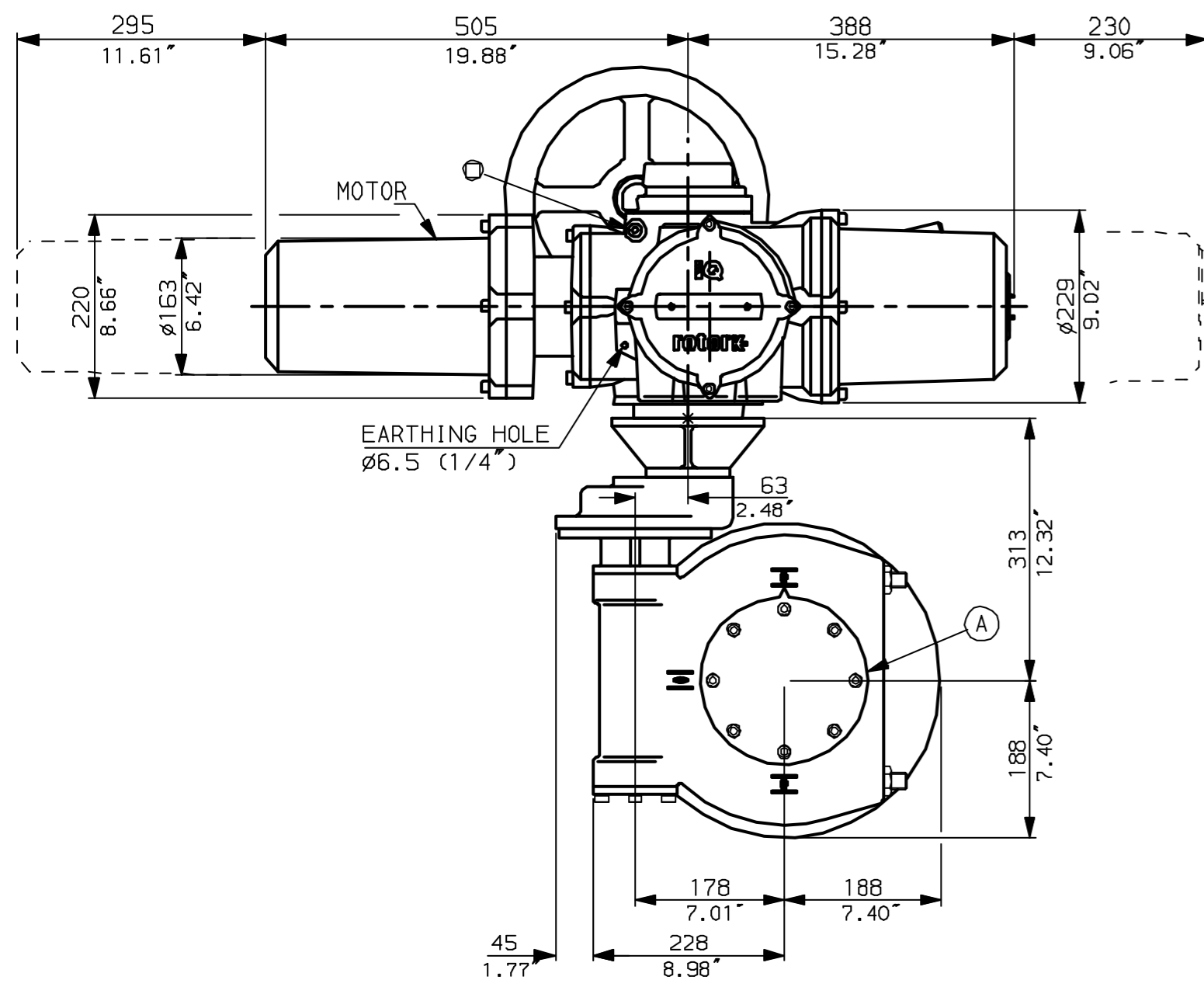


NOTES:  
 \* DIMENSIONS WITH '\*' INDICATE COVER REMOVAL ALLOWANCE  
 : NETT WEIGHT = 144kg (317lbs)  
 :  $\odot$  = OIL FILLER/DRAIN PLUG  
 : THE INTERFACE PROVIDED FOR MOUNTING THE ACTUATOR OR SECOND STAGE GEARBOX ONTO THE VALVE SHOULD CONFORM TO GOOD ENGINEERING PRACTICES, ENSURING ADEQUATELY TOLERANCED LIMITS FOR PARALLELISM, PERPENDICULARITY AND CONCENTRICITY.

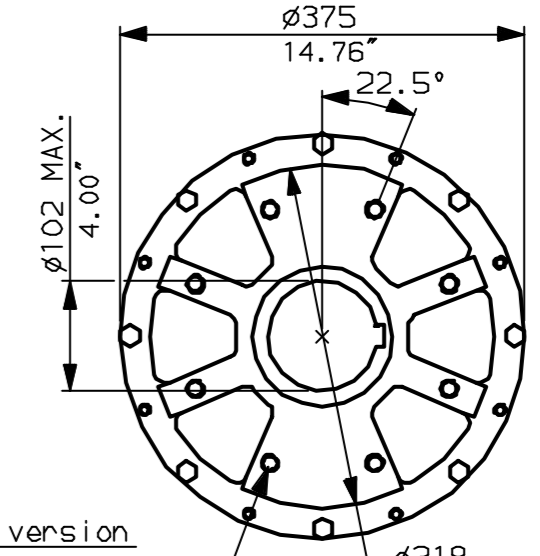
**CONDUIT ENTRIES** (N.T.S)



Nos.1 & 3 TAPPED 1" NPT  
 No.2 TAPPED 1 1/2" NPT  
 STD ALTERNATIVES IF SPECIFIED  
 2 X M25, 1 X M40  
 2 X PG16, 1 X PG29



N.B. KEYWAY POS. CAN BE MOVED 90 OR 180° BY REMOVING 8 SCREWS MARKED (A) AND ROTATING OUTPUT SLEEVE.



"F" version  
 8 HOLES TAPPED M16 x 16 L $\phi 318$   
 EQUI-SPACED AS SHOWN ON A 2.52" 254 PCD (ISO 5211-F25).

"FA" version  
 8 HOLES TAPPED 5/8" UNC x 0.63" dp  
 EQUI-SPACED AS SHOWN ON A 10" PCD (M55 SP101-FA25).



Rotork Controls Ltd.  
 Bath England, BA1 3JQ.  
 (Phone 01225-733200)  
 Rotork Controls Inc.  
 Rochester, NY 14624  
 (Phone 585-328-1550)

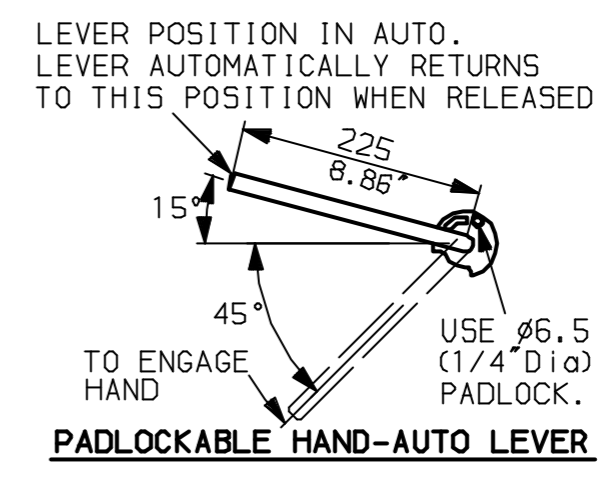
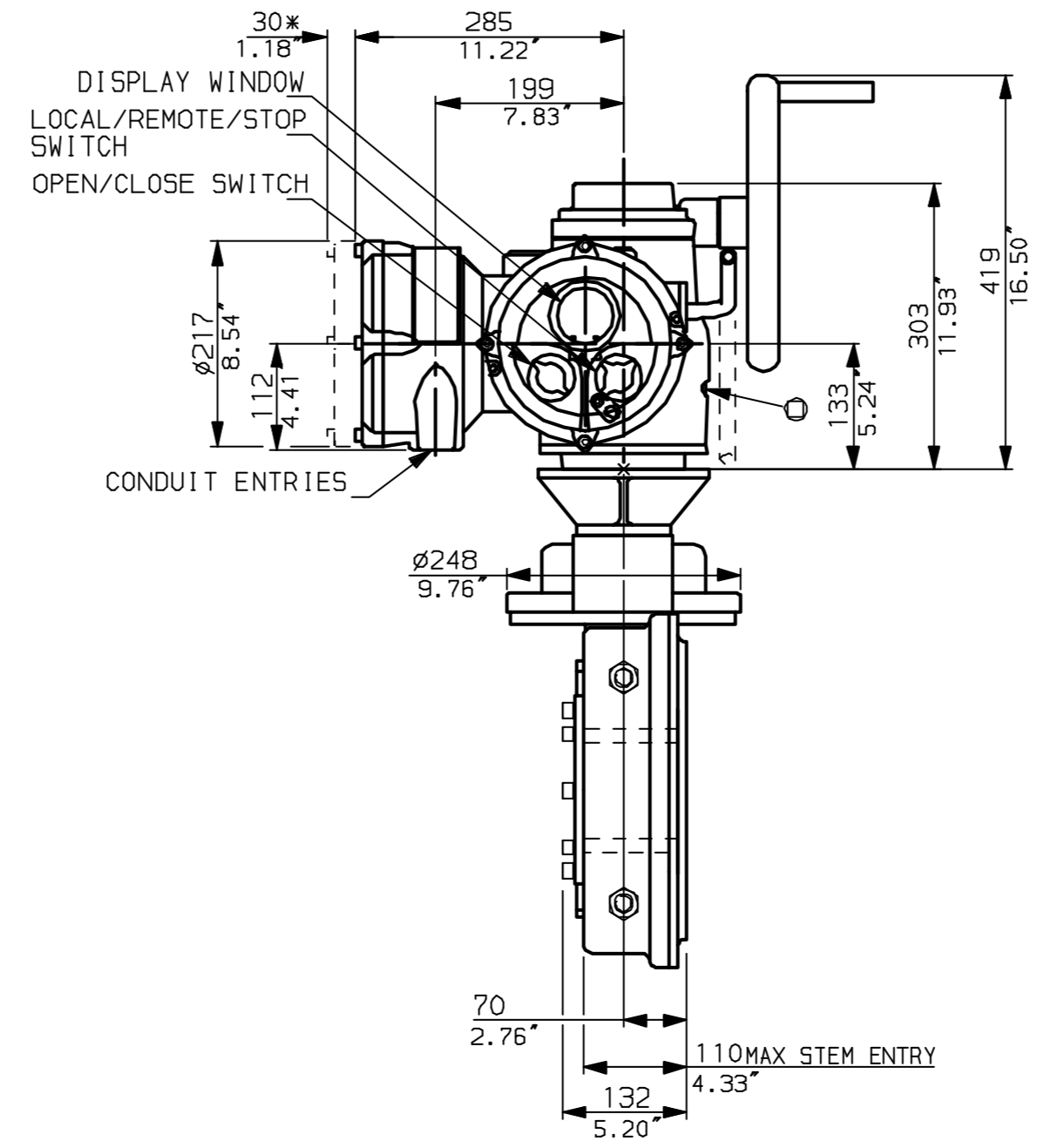
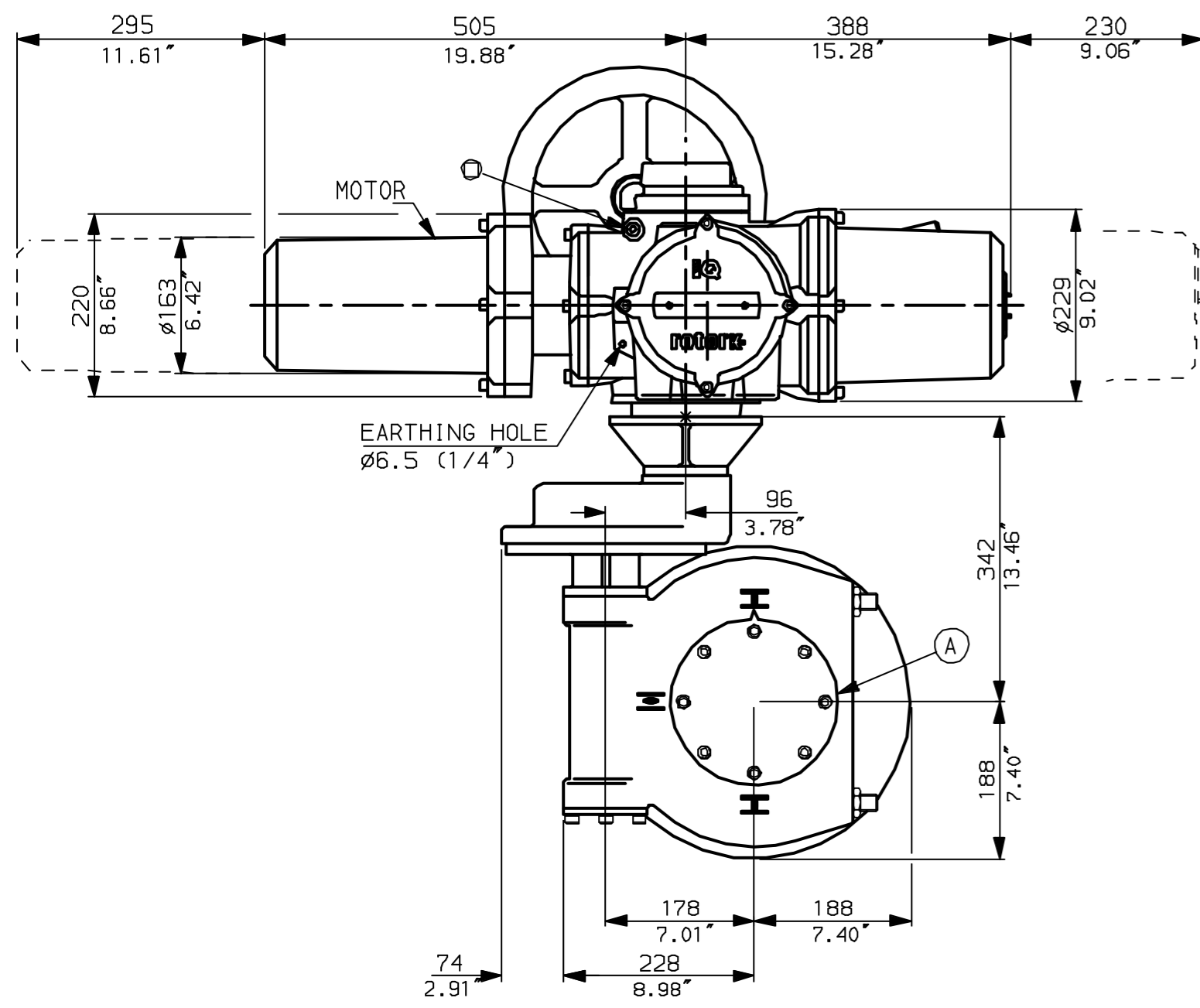
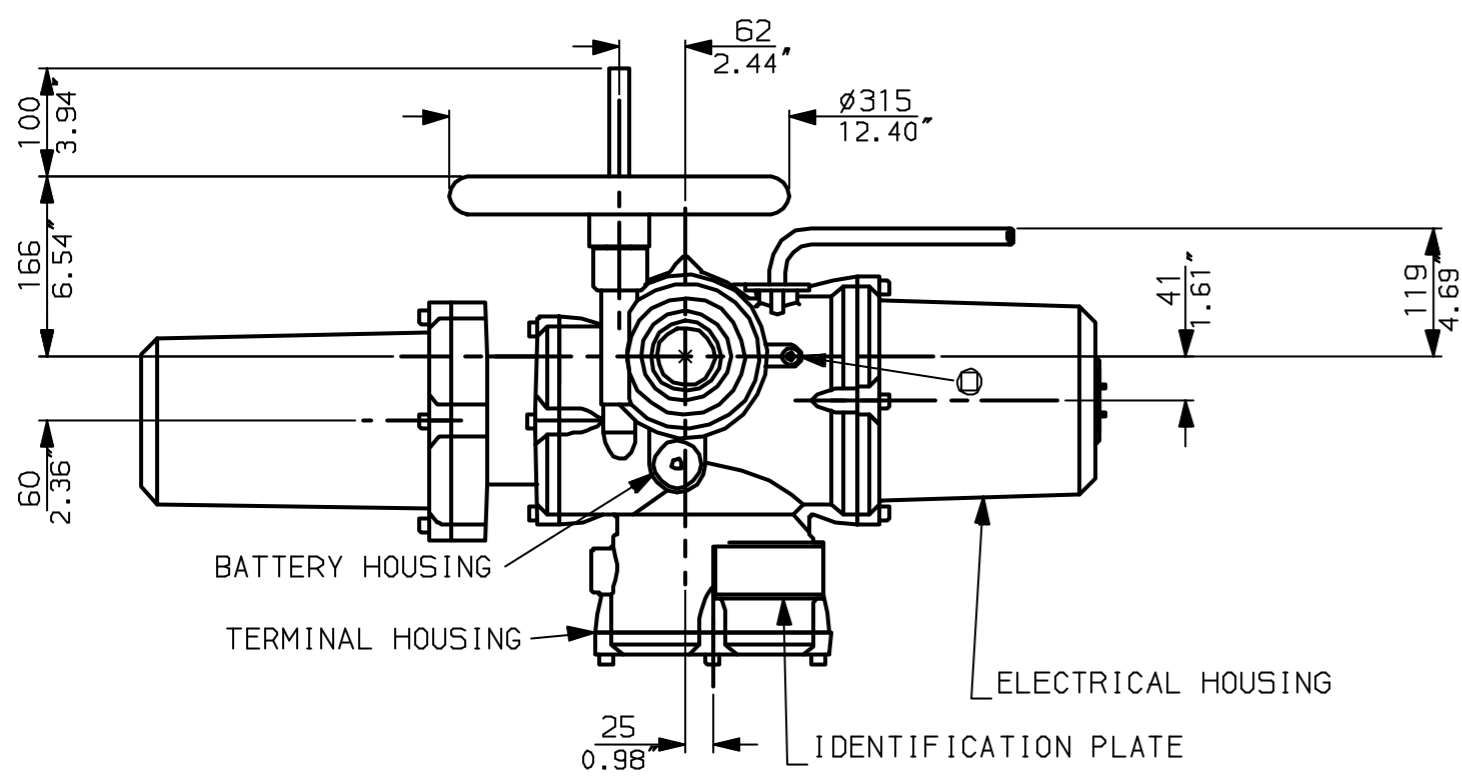
Title IQD25, SHW, IW6(+63)RL,		
STANDARD DIMENSIONAL DATA		
Drawn CAD	Checked PRE	Ref Data Sheet
Date April 04	Job No	IQD25SHW_IW6RL

NOTE:  
 Gearbox is shown with LOW Ratio Input Reducer.  
 (ie Ratios 140,210,280)  
 See Data Sheet with IW6Rh for HIGH ratio option.

01	First Issue.
Scale	1:7 THIRD ANGLE PROJECTION
Drawing Number	IQD25SHW_IW6RL

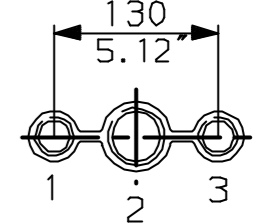
1 | 2 | 3 | 4 | 5 | 6 | 7 | 8 | 9 | 10

G  
F  
E  
D  
C  
B  
A



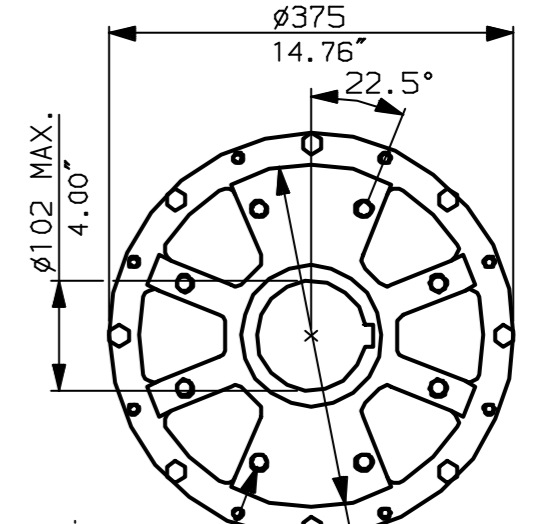
NOTES:  
 \* DIMENSIONS WITH '\*' INDICATE COVER REMOVAL ALLOWANCE  
 : NETT WEIGHT = 149kg (328lbs)  
 :  $\phi$  = OIL FILLER/DRAIN PLUG  
 : THE INTERFACE PROVIDED FOR MOUNTING THE ACTUATOR OR SECOND STAGE GEARBOX ONTO THE VALVE SHOULD CONFORM TO GOOD ENGINEERING PRACTICES, ENSURING ADEQUATELY TOLERANCED LIMITS FOR PARALLELISM, PERPENDICULARITY AND CONCENTRICITY.

CONDUIT ENTRIES (N.T.S)



Nos.1 & 3 TAPPED 1" NPT  
 No.2 TAPPED 1 1/2" NPT  
 STD ALTERNATIVES IF SPECIFIED  
 2 X M25, 1 X M40  
 2 X PG16, 1 X PG29

N.B. KEYWAY POS. CAN BE MOVED 90 OR 180° BY REMOVING 8 SCREWS MARKED (A) AND ROTATING OUTPUT SLEEVE.



"F" version  
 8 HOLES TAPPED M16 x 16 dp  $\phi 318$  (12.52) EQUI-SPACED AS SHOWN ON A 254 PCD (ISO 5211-F25).  
 "FA" version  
 8 HOLES TAPPED 5/8" UNC x 0.63" dp EQUI-SPACED AS SHOWN ON A 10" PCD (MSS SP101-FA25).

 www.rotork.com	Rotork Controls Ltd. Bath England, BA1 3JQ. (Phone 01225-733200)	Title IQD25, SHW, IW6 (+63) Rh, STANDARD DIMENSIONAL DATA
	Rotork Controls Inc. Rochester, NY 14624 (Phone 585-328-1550)	Drawn CAD Checked PRE Ref Data Sheet
	Date April 04 Job No IQD25SHW_IW6Rh	NOTE: Gearbox is shown with HIGH Ratio Input Reducer. (ie Ratios 350, 420) See Data Sheet with IW6RL for LOW ratio option.

01	First Issue.
Scale	1:7 THIRD ANGLE PROJECTION
Drawing Number	IQD25SHW_IW6Rh

1 | 2 | 3 | 4 | 5 | 6 | 7 | 8 | 9 | 10