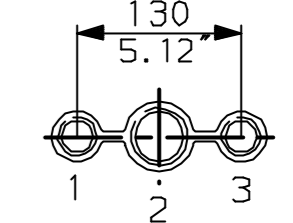
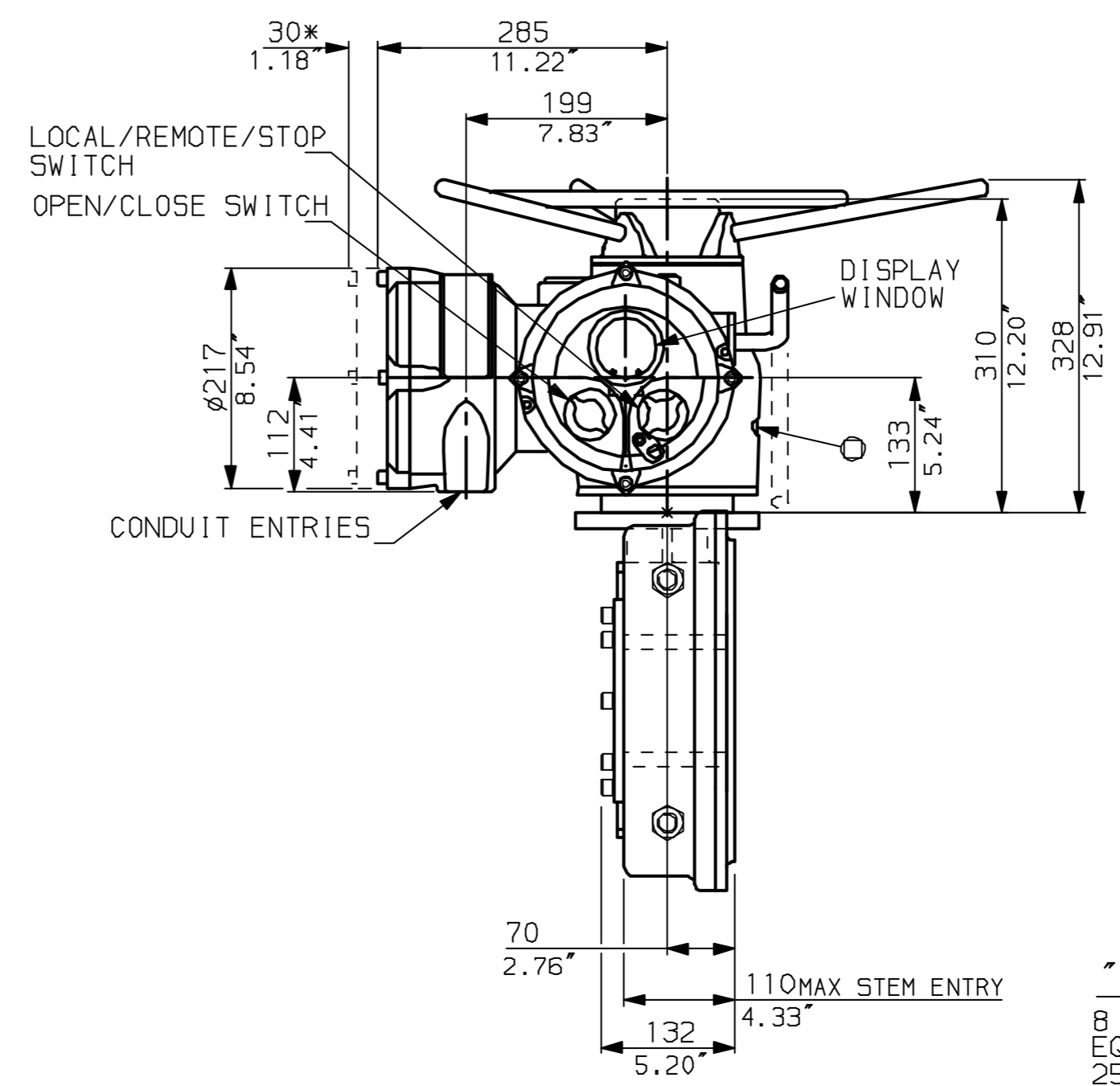
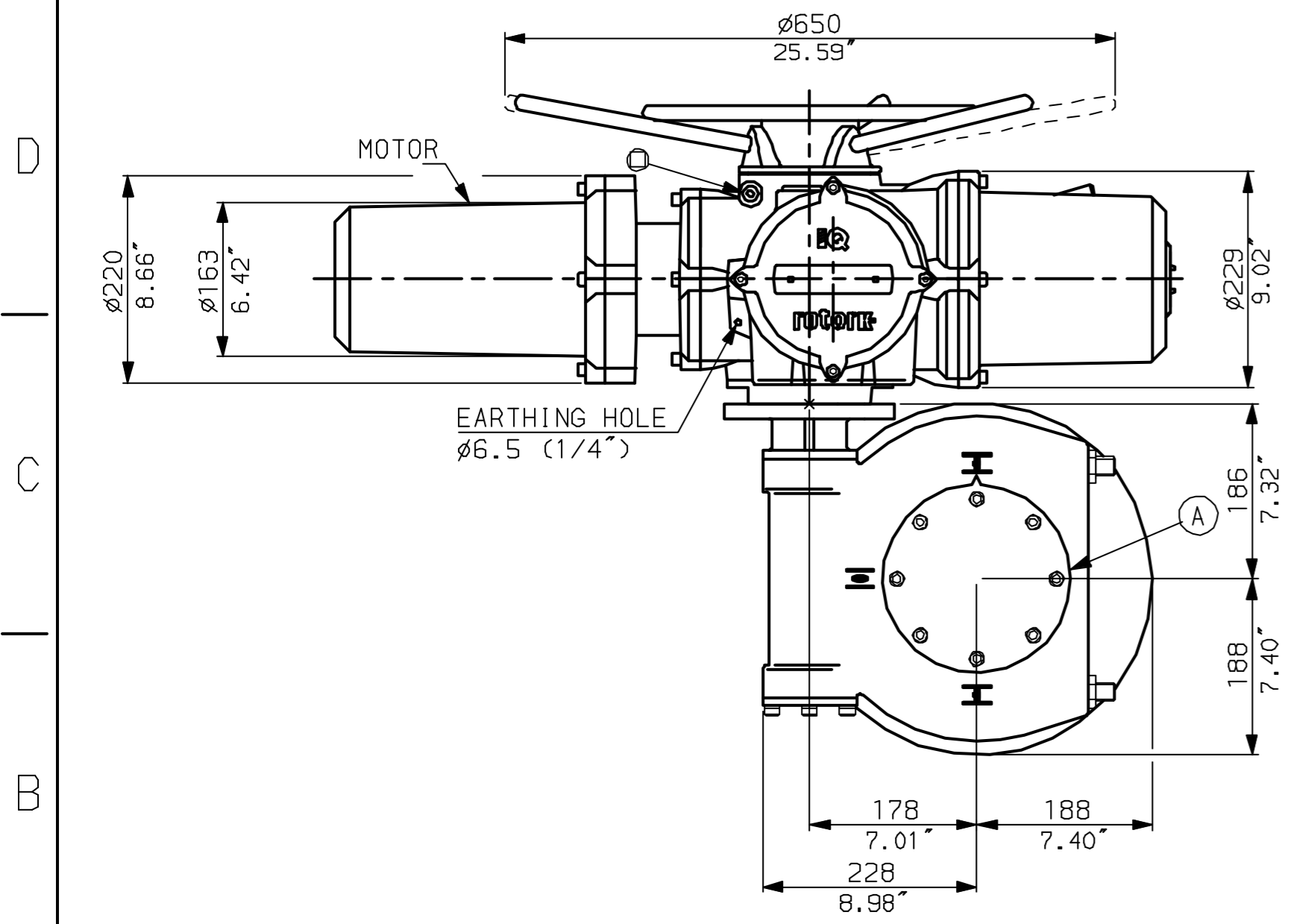


NOTES:
 * DIMENSIONS WITH '*' INDICATE COVER REMOVAL ALLOWANCE
 : NETT WEIGHT = 133kg (293lbs)
 : \odot = OIL FILLER/DRAIN PLUG
 : THE INTERFACE PROVIDED FOR MOUNTING THE ACTUATOR OR SECOND STAGE GEARBOX ONTO THE VALVE SHOULD CONFORM TO GOOD ENGINEERING PRACTICES, ENSURING ADEQUATELY TOLERANCED LIMITS FOR PARALLELISM, PERPENDICULARITY AND CONCENTRICITY.

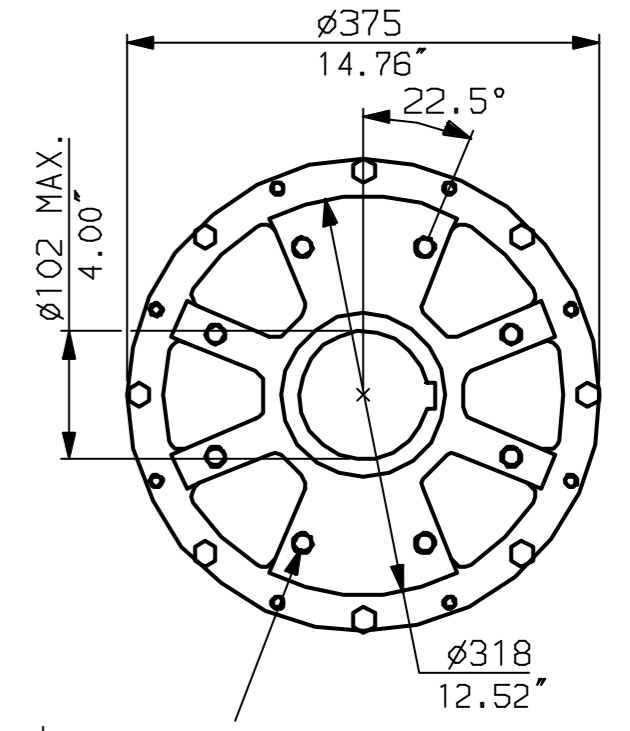
CONDUIT ENTRIES (N.T.S)



Nos.1 & 3 TAPPED 1" NPT
 No.2 TAPPED 1 1/2" NPT
 STD ALTERNATIVES IF SPECIFIED
 2 X M25, 1 X M40
 2 X PG16, 1 X PG29



N.B. KEYWAY POS. CAN BE MOVED 90 OR 180° BY REMOVING 8 SCREWS MARKED (A) AND ROTATING OUTPUT SLEEVE.



"F" version

8 HOLES TAPPED M16 x 16 DP
 EQUI-SPACED AS SHOWN ON A
 254 PCD (ISO 5211-F25).

"FA" version

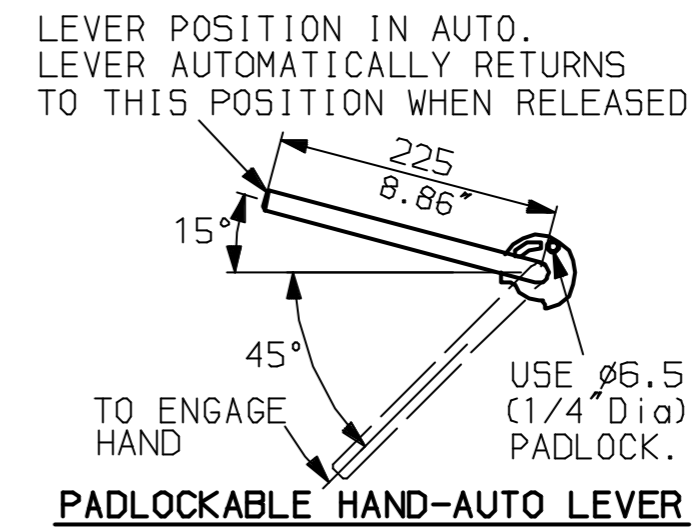
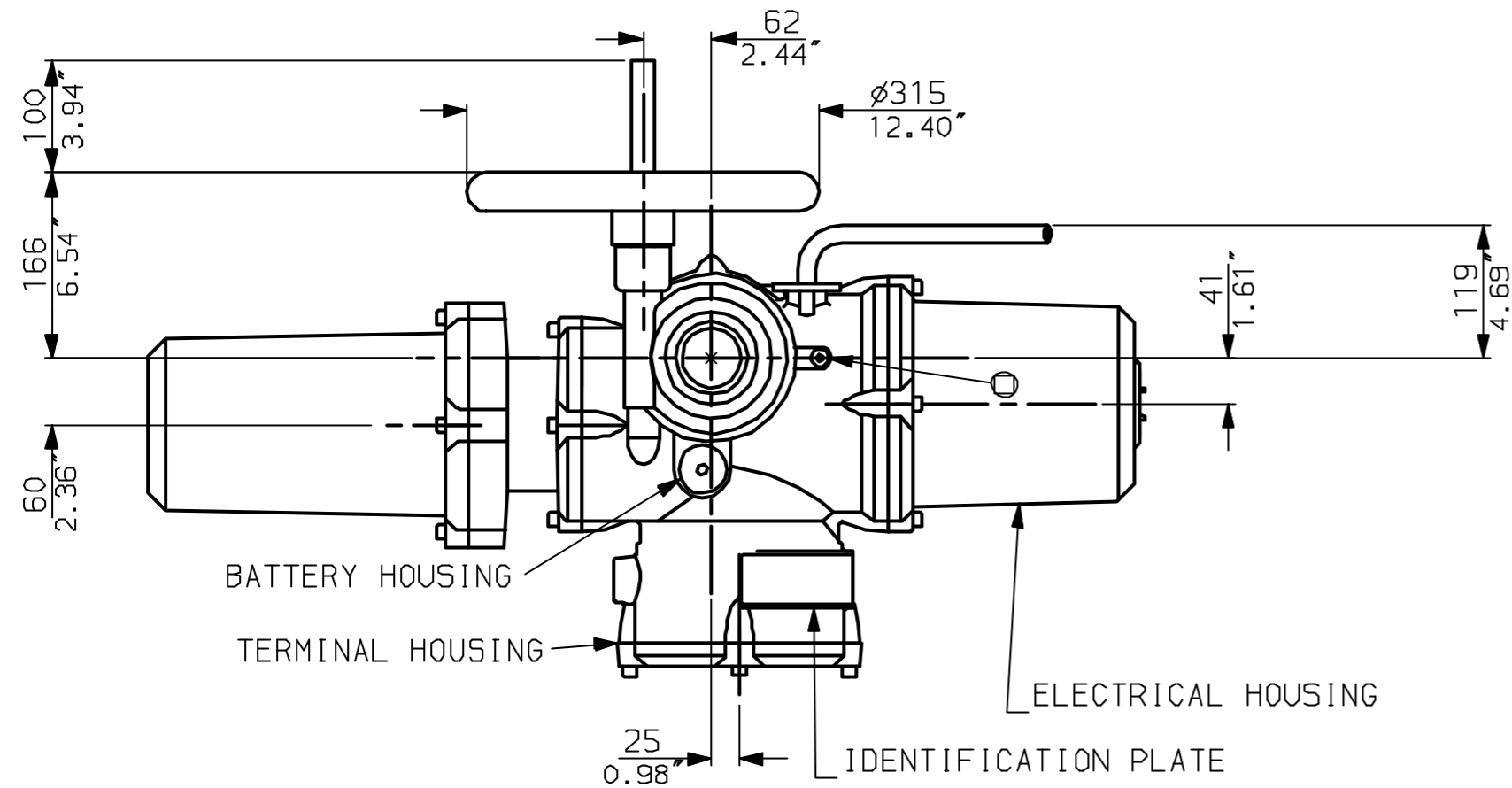
8 HOLES TAPPED 5/8" UNC x 0.63" dp
 EQUI-SPACED AS SHOWN ON A
 10" PCD (MSS 5P101-FA25).

rotork
 www.rotork.com
 Rotork Controls Ltd.
 Bath England, BA1 3JQ.
 (Phone 01225-733200)
 Rotork Controls Inc.
 Rochester, NY 14624
 (Phone 585-328-1550)

Title IQD25, THW, IW6 (+63),		
STANDARD DIMENSIONAL DATA		
Drawn CAD	Checked PRE	Ref Data Sheet
Date April 04	Job No IQD25THW_IW6	

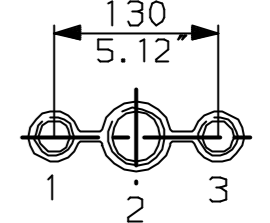
01	First Issue.
Scale	1:6 THIRD ANGLE PROJECTION
Drawing Number	IQD25THW_IW6

G
F
E
D
C
B
A

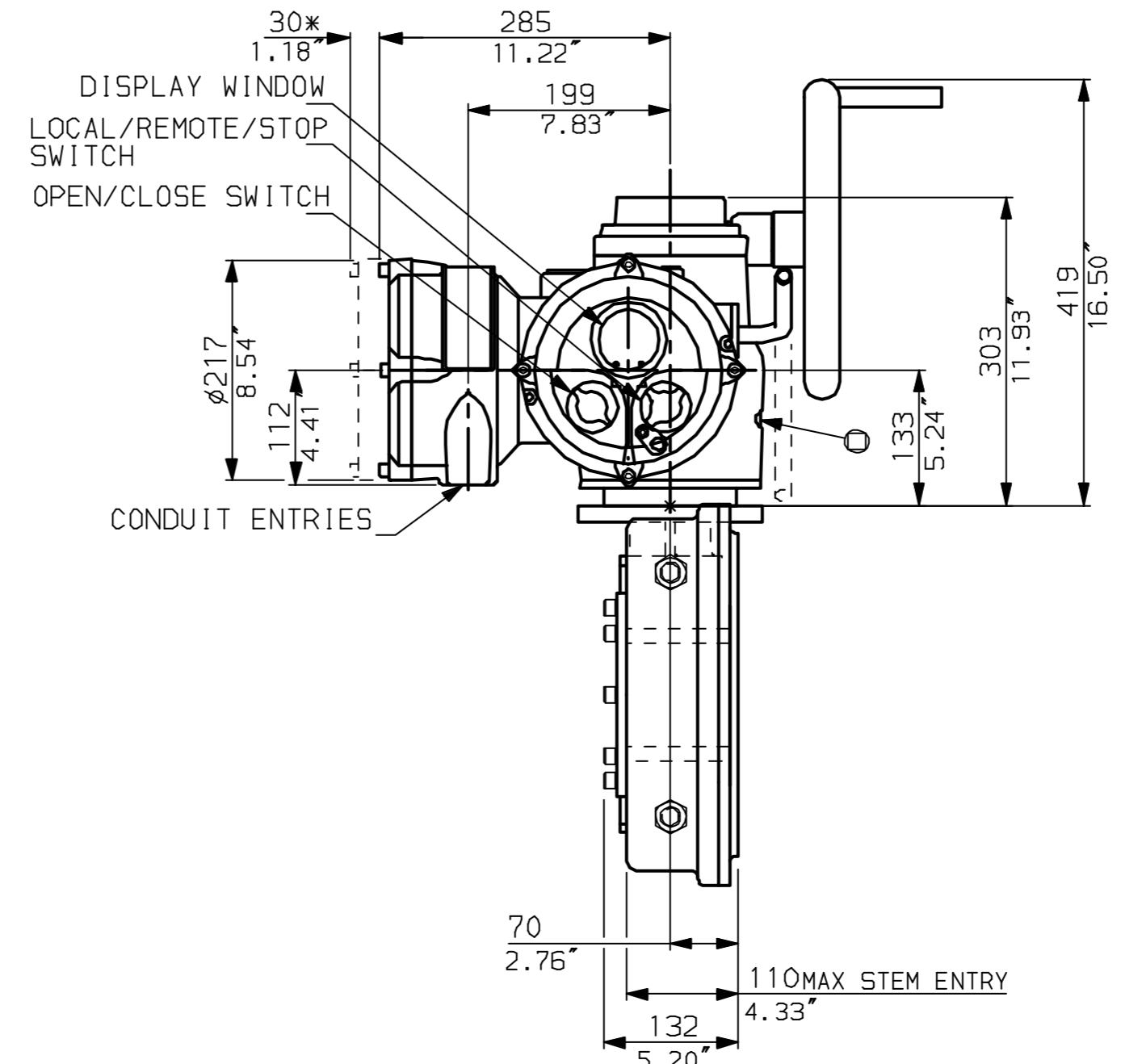
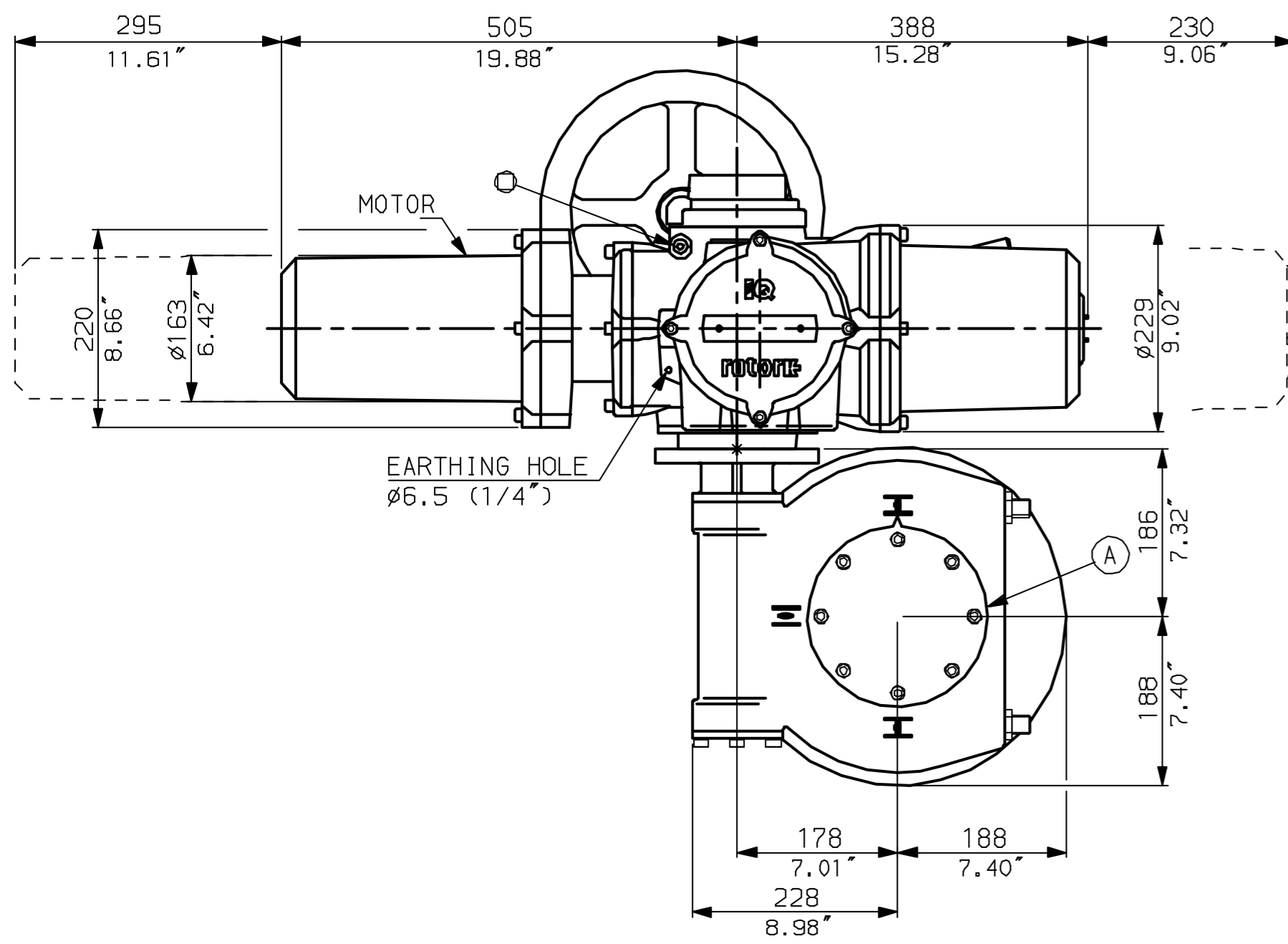


NOTES:
DIMENSIONS WITH '*' INDICATE COVER REMOVAL ALLOWANCE
NETT WEIGHT = 133kg (293lbs)
○ = OIL FILLER/DRAIN PLUG
THE INTERFACE PROVIDED FOR MOUNTING THE ACTUATOR OR SECOND STAGE GEARBOX ONTO THE VALVE SHOULD CONFORM TO GOOD ENGINEERING PRACTICES, ENSURING ADEQUATELY TOLERANCED LIMITS FOR PARALLELISM, PERPENDICULARITY AND CONCENTRICITY.

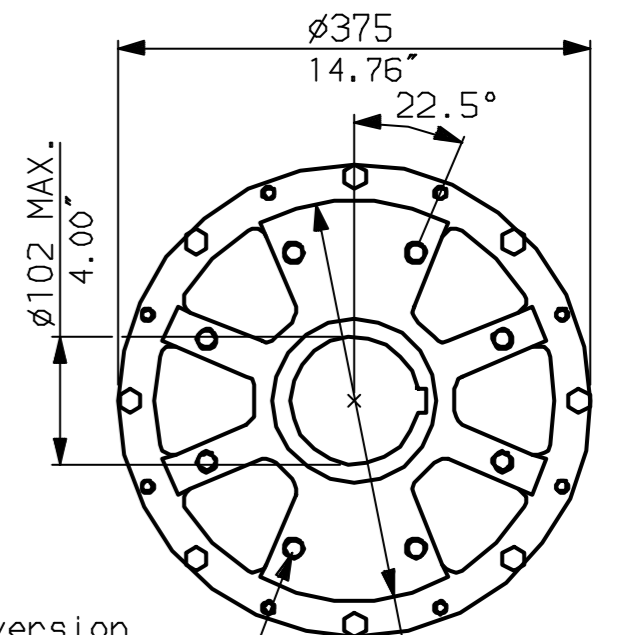
CONDUIT ENTRIES (N.T.S)



Nos.1 & 3 TAPPED 1" NPT
No.2 TAPPED 1 1/2" NPT
STD ALTERNATIVES IF SPECIFIED
2 X M25, 1 X M40
2 X PG16, 1 X PG29



N.B. KEYWAY POS. CAN BE MOVED 90 OR 180° BY REMOVING 8 SCREWS MARKED (A) AND ROTATING OUTPUT SLEEVE.



"F" version
8 HOLES TAPPED M16 x 16 DP
EQUI-SPACED AS SHOWN ON A
254 PCD (150 5211-F25).

"FA" version
8 HOLES TAPPED 5/8" UNC x 0.63" dp
EQUI-SPACED AS SHOWN ON A
10" PCD (M55 SP101-FA25).



Rotork Controls Ltd.
Bath England, BA1 3JQ.
(Phone 01225-733200)

Rotork Controls Inc.
Rochester, NY 14624
(Phone 585-328-1550)

Title IQD25, SHW, IW6 (+63),		
STANDARD DIMENSIONAL DATA		
Drawn CAD	Checked PRE	Ref Data Sheet
Date April 04	Job No	IQD25SHW_IW6

01	First Issue.
Scale	1:6 THIRD ANGLE PROJECTION
Drawing Number	IQD25SHW_IW6

1 | 2 | 3 | 4 | 5 | 6 | 7 | 8 | 9 | 10