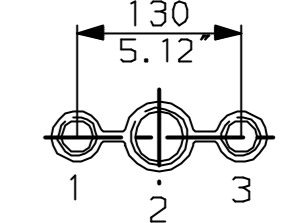


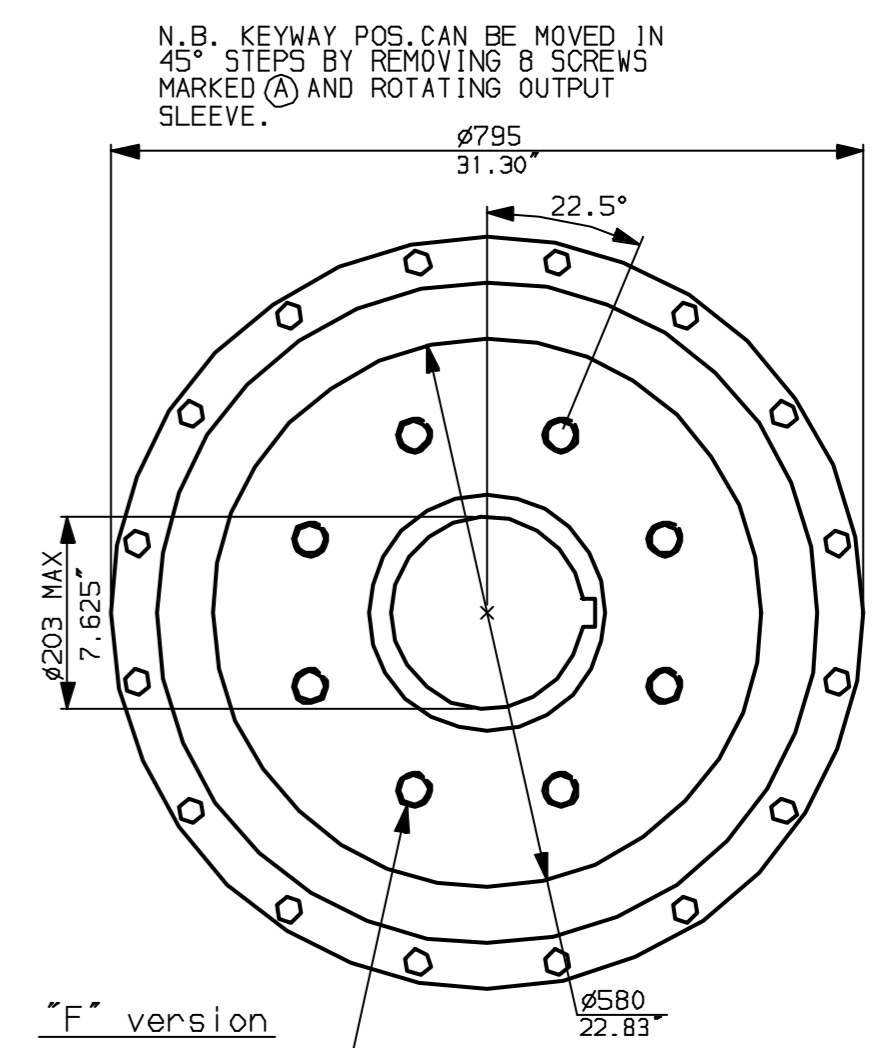
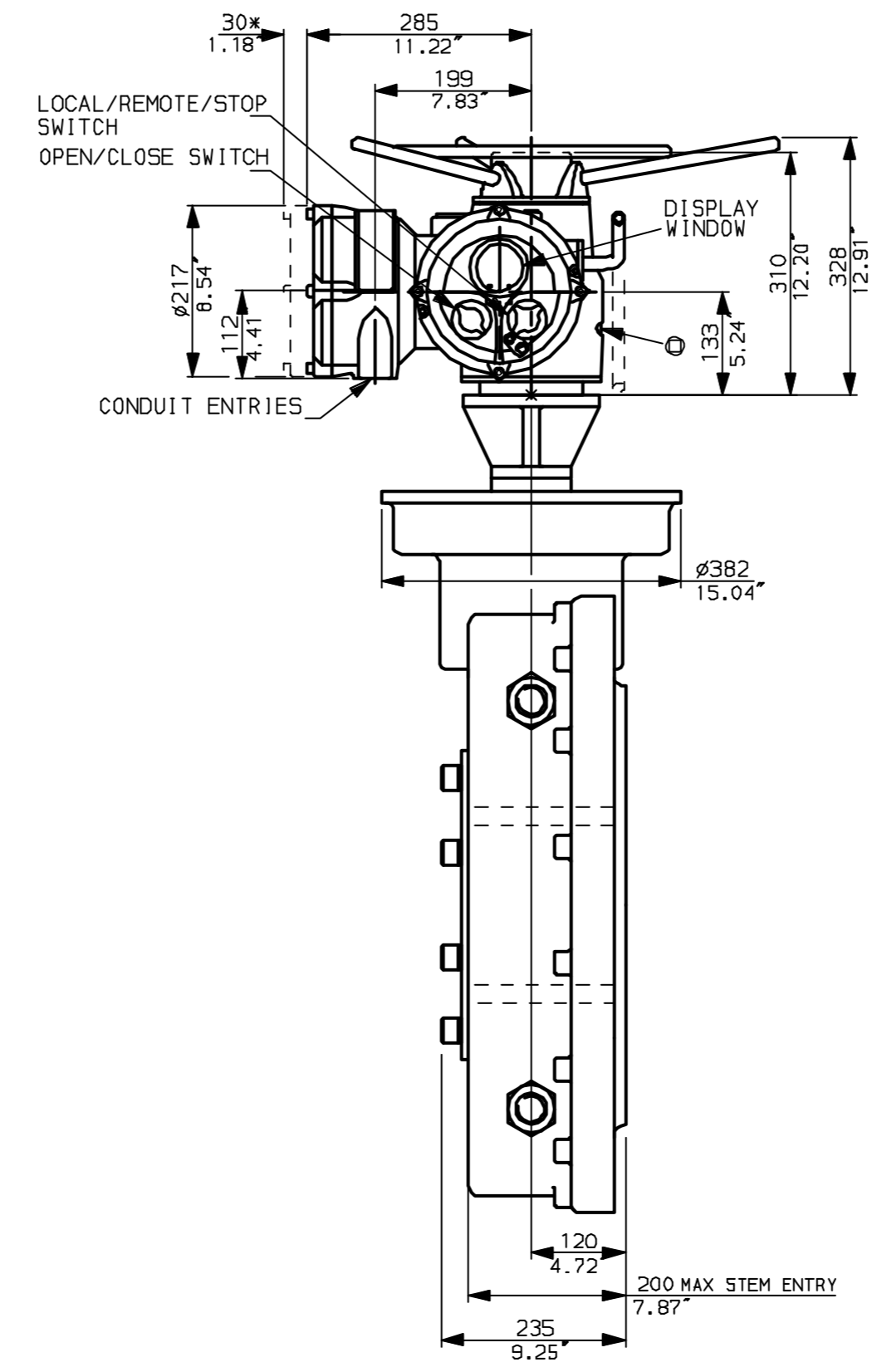
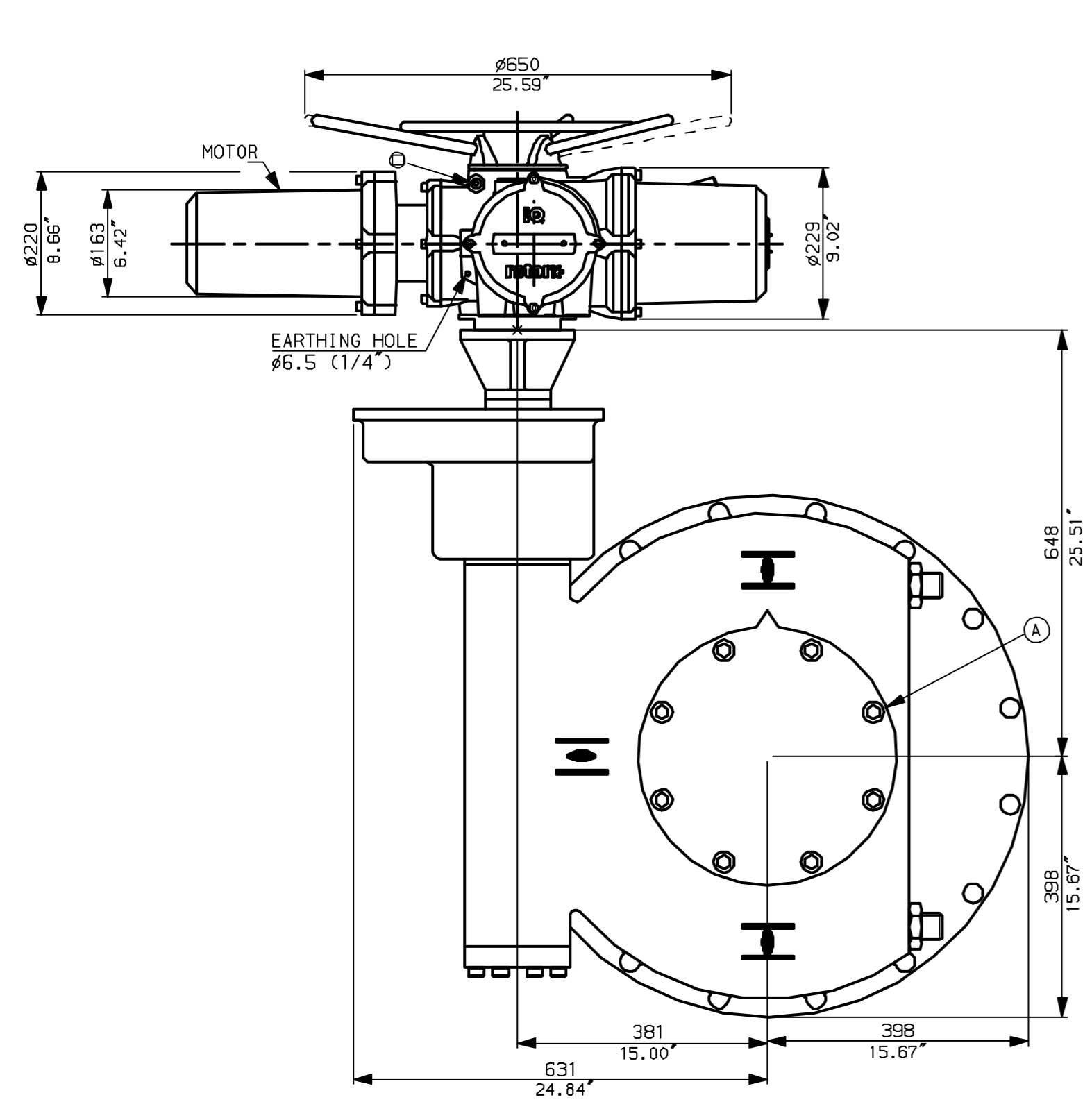
**NOTES:**

- \*DIMENSIONS WITH '\*' INDICATE COVER REMOVAL ALLOWANCE
- :NETT WEIGHT = 546kg (1201lbs)
- : $\odot$  = OIL FILLER/DRAIN PLUG
- :THE INTERFACE PROVIDED FOR MOUNTING THE ACTUATOR OR SECOND STAGE GEARBOX ONTO THE VALVE SHOULD CONFORM TO GOOD ENGINEERING PRACTICES, ENSURING ADEQUATELY TOLERANCED LIMITS FOR PARALLELISM, PERPENDICULARITY AND CONCENTRICITY.

**CONDUIT ENTRIES (N.T.S)**



Nos.1 & 3 TAPPED 1" NPT  
 No.2 TAPPED 1 1/2" NPT  
 STD ALTERNATIVES IF SPECIFIED  
 2 X M25, 1 X M40  
 2 X PG16, 1 X PG29



"F" version  
 8 HOLES TAPPED M36 x 36 DP  
 EQUI-SPACED AS SHOWN ON A  
 406 PCD (ISO 5211-F40).

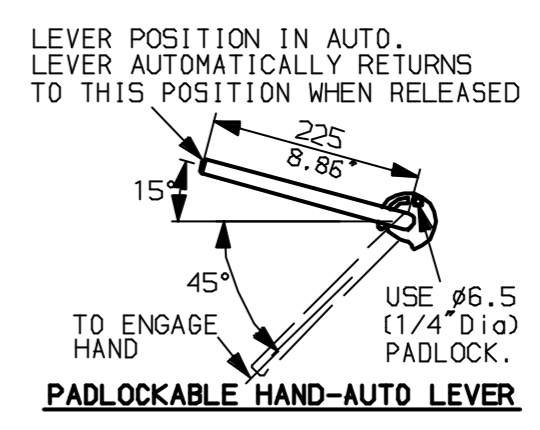
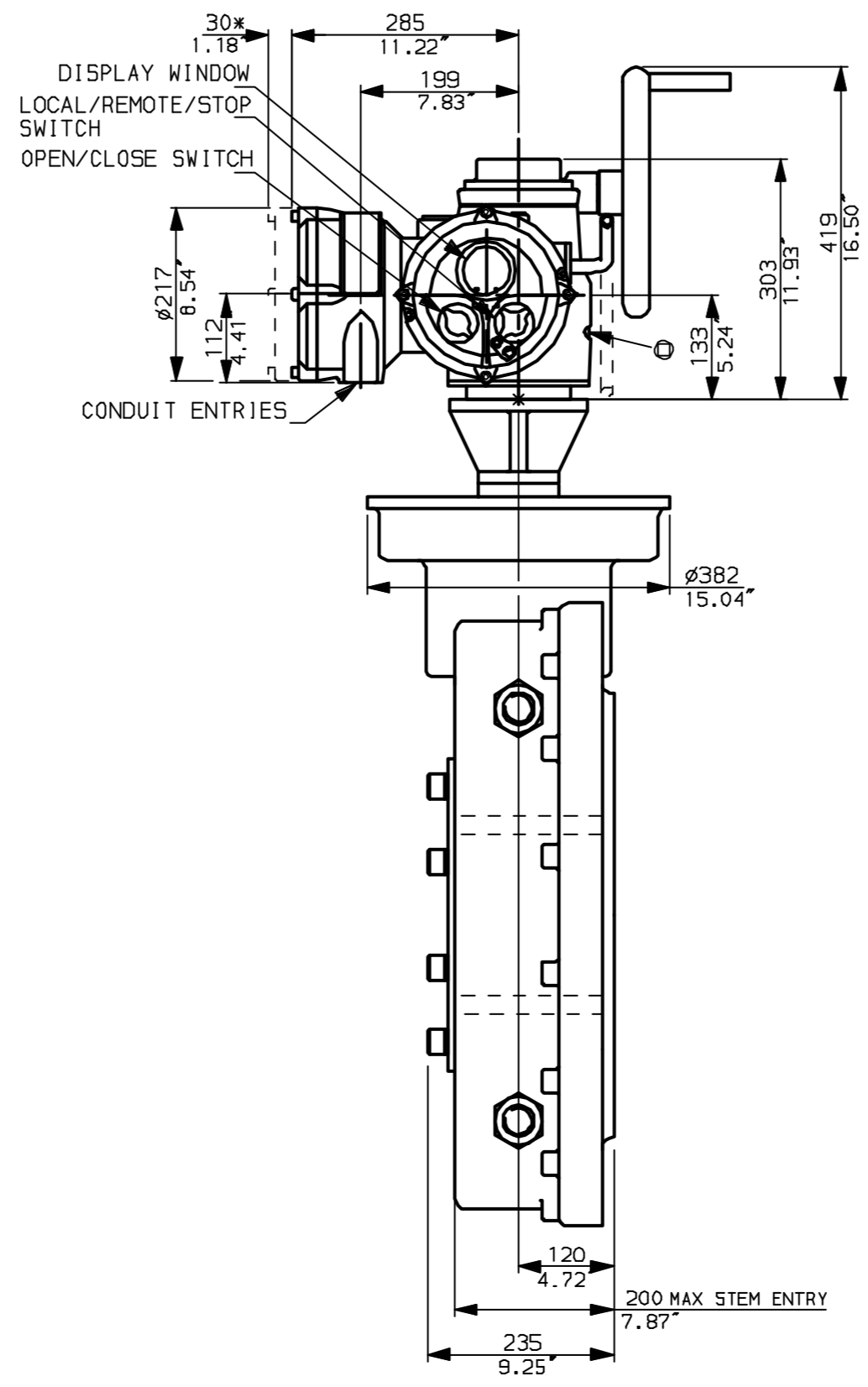
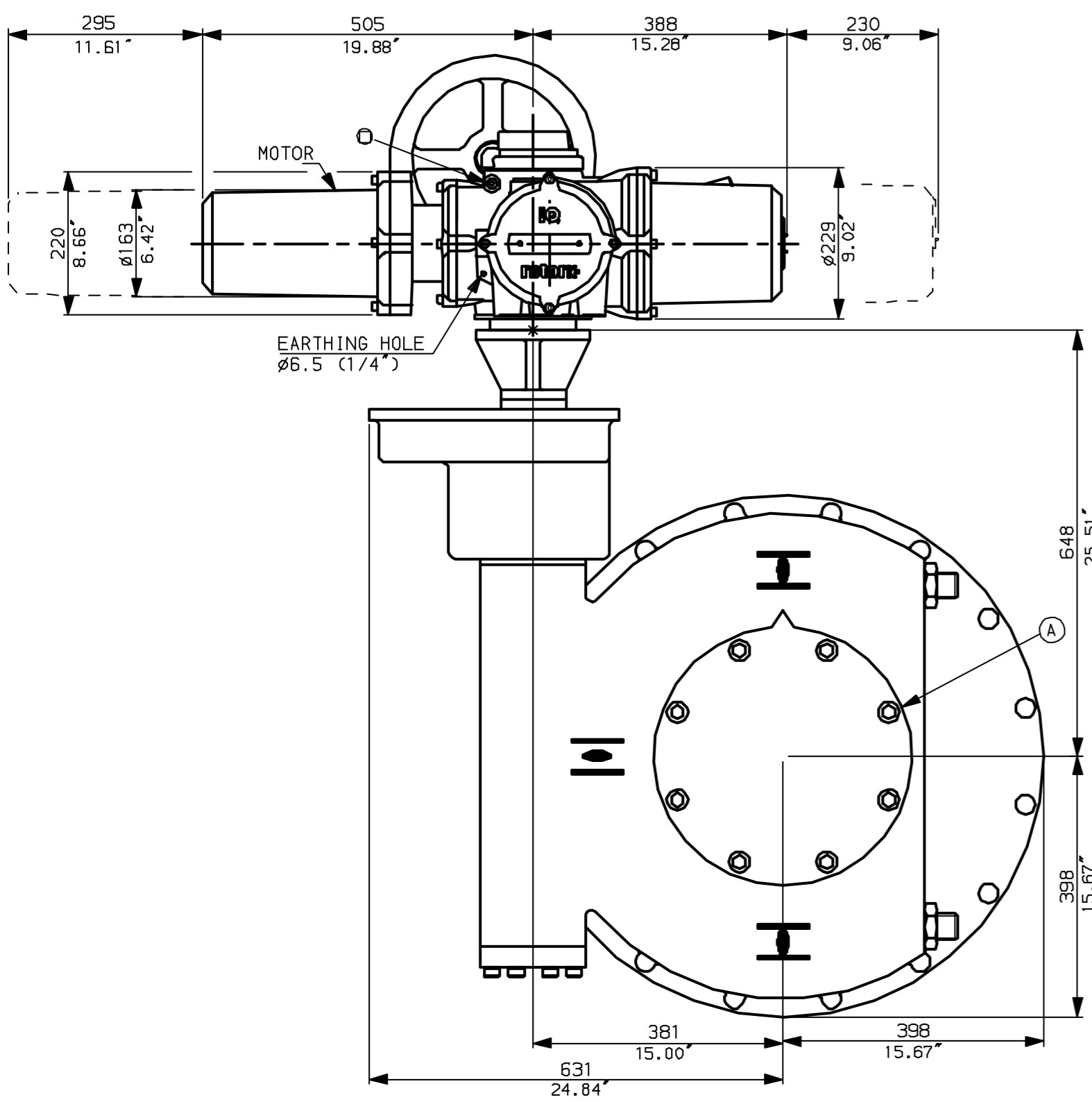
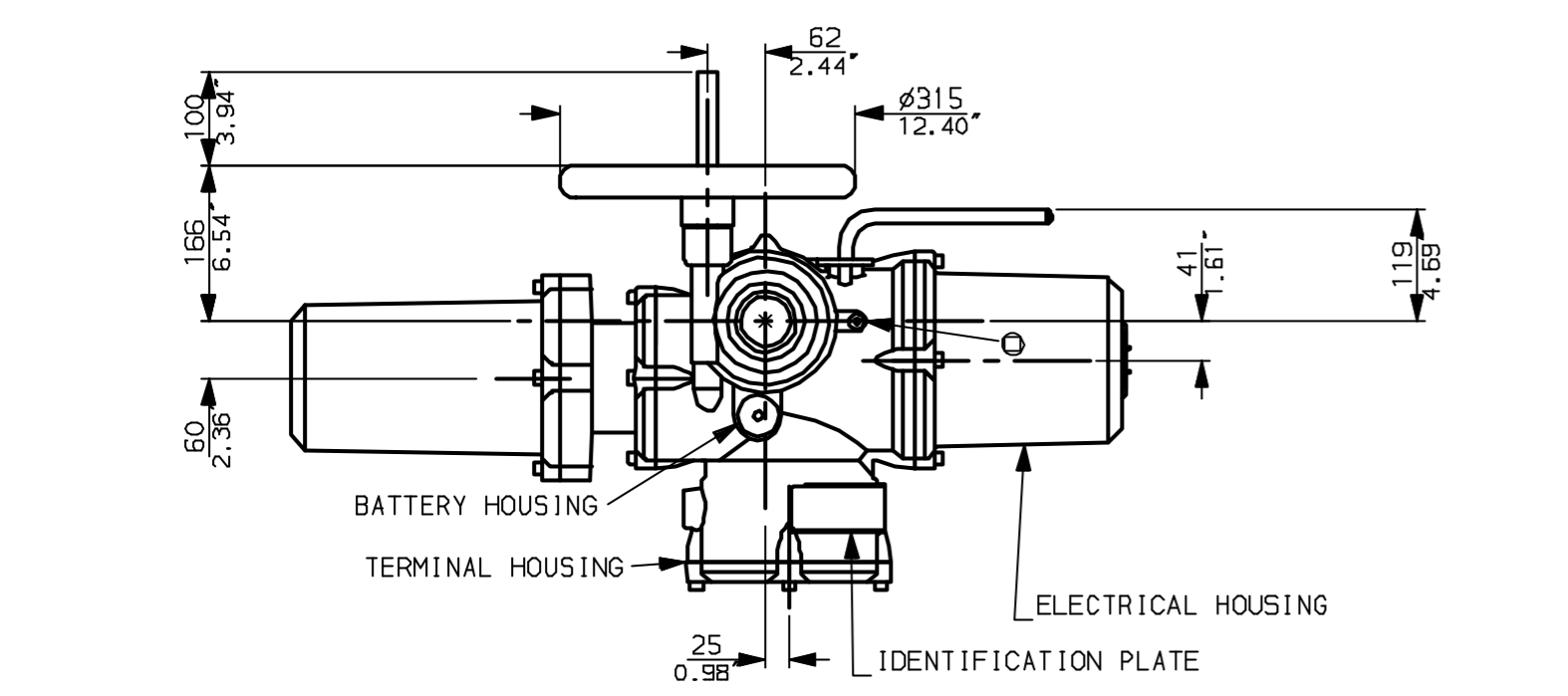
"FA" version  
 8 HOLES TAPPED 1.25"UNCx1.42"dp  
 EQUI-SPACED AS SHOWN ON A  
 16" PCD (MSS SP101-FA40).



Rotork Controls Ltd. Bath England, BA1 3JQ. (Phone 01225-733200)		
Title IQD25, THW, IW11 (+115)R, STANDARD DIMENSIONAL DATA		
Drawn CAD	Checked PRE	Ref Data Sheet
Date April 04	Job No	IQD25THW_IW11R

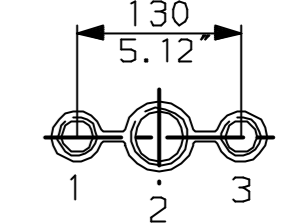
01	First Issue.
Scale	1:8 THIRD ANGLE PROJECTION
Drawing Number	IQD25THW_IW11R

G  
F  
E  
D  
C  
B  
A

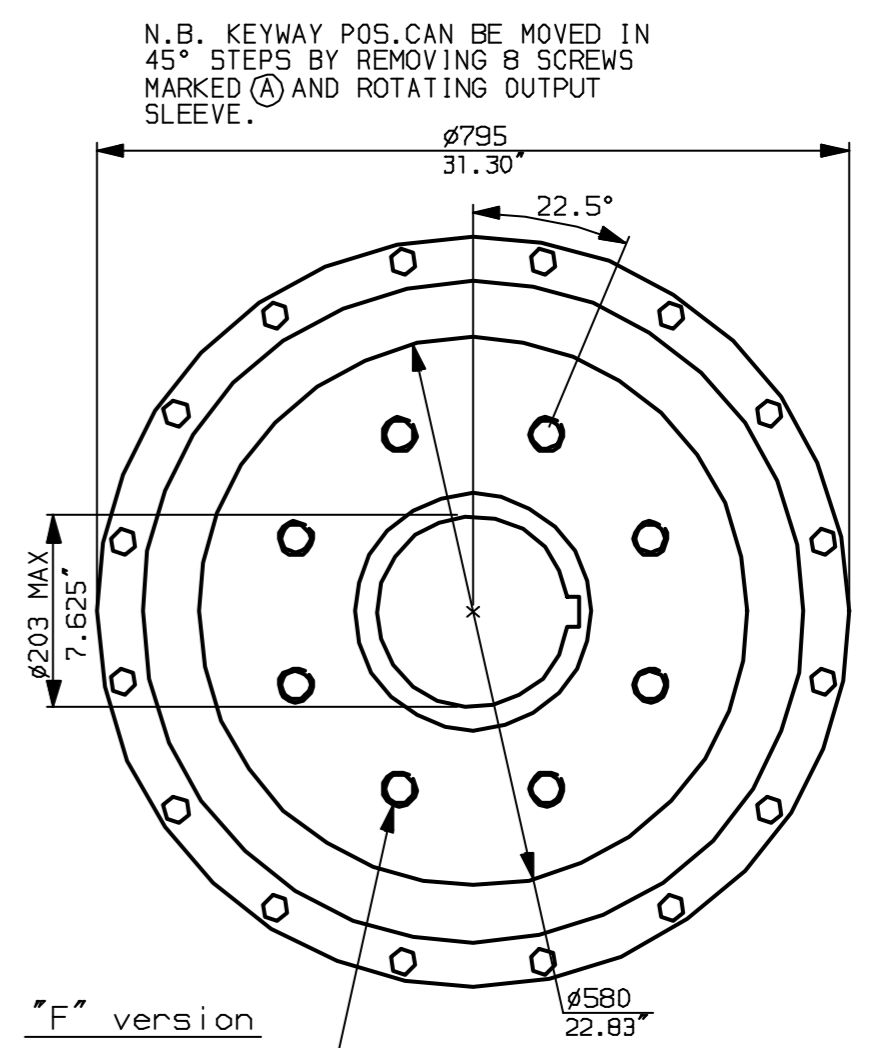


NOTES:  
 \* DIMENSIONS WITH '\*' INDICATE COVER REMOVAL ALLOWANCE  
 : NETT WEIGHT = 546kg (1201lbs)  
 :  $\phi$  = OIL FILLER/DRAIN PLUG  
 : THE INTERFACE PROVIDED FOR MOUNTING THE ACTUATOR OR SECOND STAGE GEARBOX ONTO THE VALVE SHOULD CONFORM TO GOOD ENGINEERING PRACTICES, ENSURING ADEQUATELY TOLERANCED LIMITS FOR PARALLELISM, PERPENDICULARITY AND CONCENTRICITY.

**CONDUIT ENTRIES** (N.T.S)



Nos.1 & 3 TAPPED 1" NPT  
 No.2 TAPPED 1 1/2" NPT  
 STD ALTERNATIVES IF SPECIFIED  
 2 X M25, 1 X M40  
 2 X PG16, 1 X PG29



"F" version  
 8 HOLES TAPPED M36 x 36 DP  
 EQUI-SPACED AS SHOWN ON A  
 406 PCD (ISO 5211-F40).

"FA" version  
 8 HOLES TAPPED 1.25"UNCx1.42"dp  
 EQUI-SPACED AS SHOWN ON A  
 16" PCD (MSS 5P101-FA40).



Rotork Controls Ltd.  
 Bath England, BA1 3JQ.  
 (Phone 01225-733200)

Rotork Controls Inc.  
 Rochester, NY 14624  
 (Phone 585-328-1550)

Title IQD25, SHW, IW11 (+115)R,		
STANDARD DIMENSIONAL DATA		
Drawn CAD	Checked PRE	Ref Data Sheet
Date April 04	Job No	IQD25SHW_IW11R

01	First Issue.
Scale	1:8 THIRD ANGLE PROJECTION
Drawing Number	IQD25SHW_IW11R

1 | 2 | 3 | 4 | 5 | 6 | 7 | 8 | 9 | 10