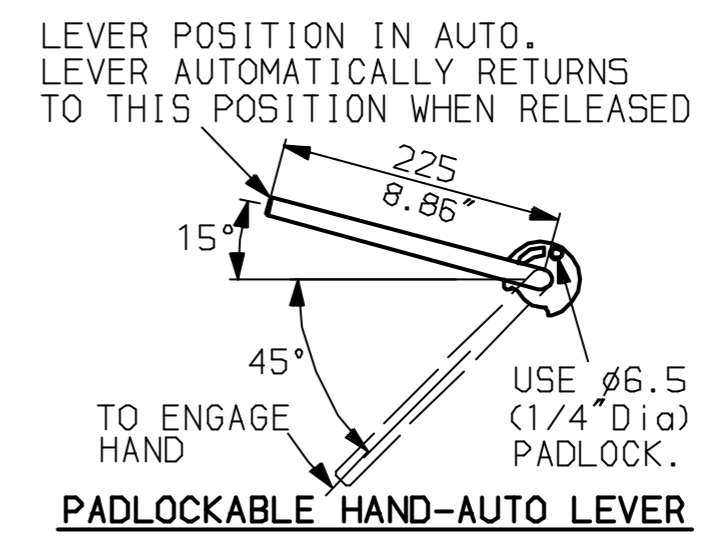
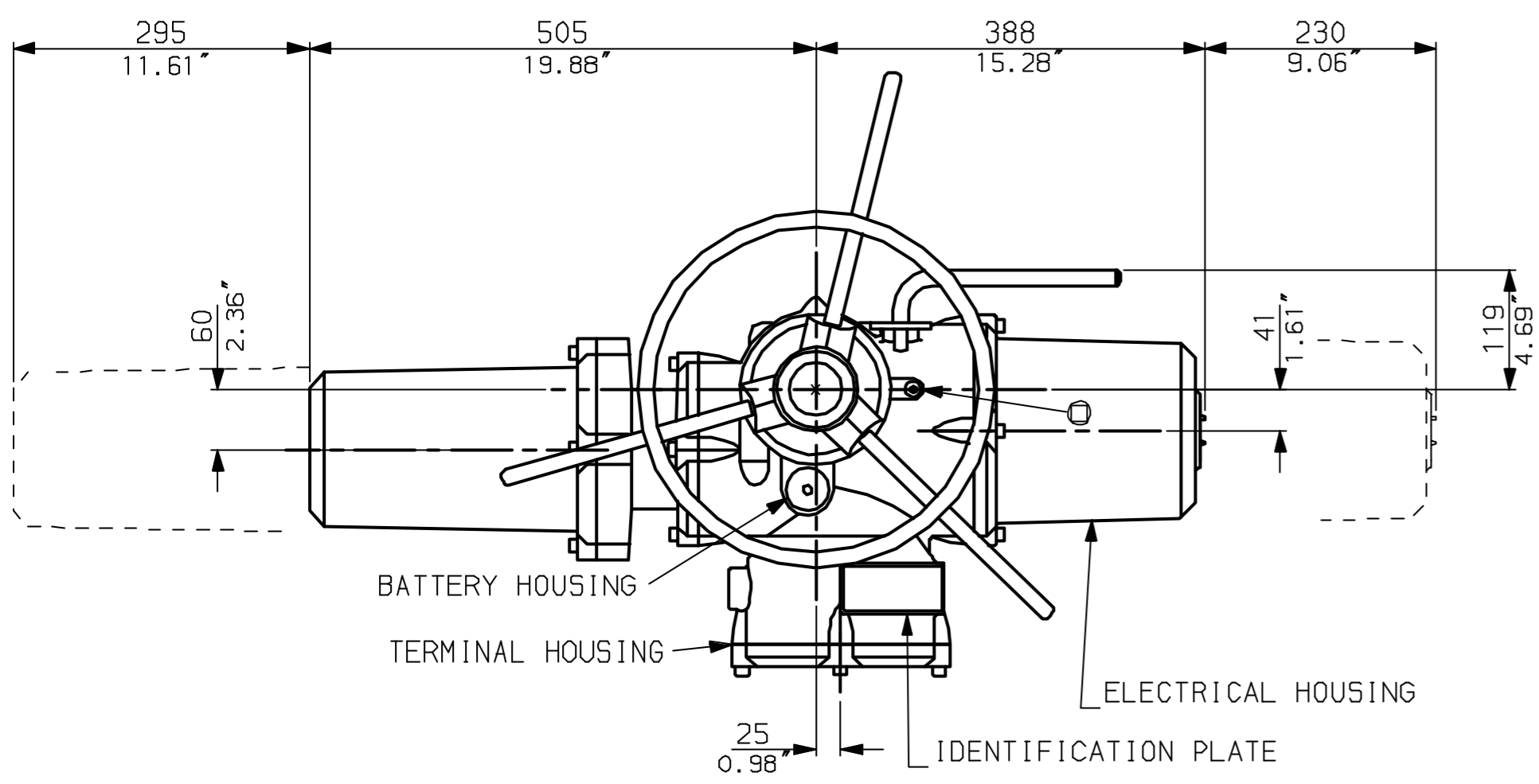
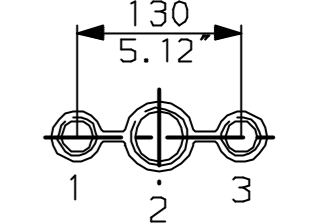


G  
F  
E  
D  
C  
B  
A

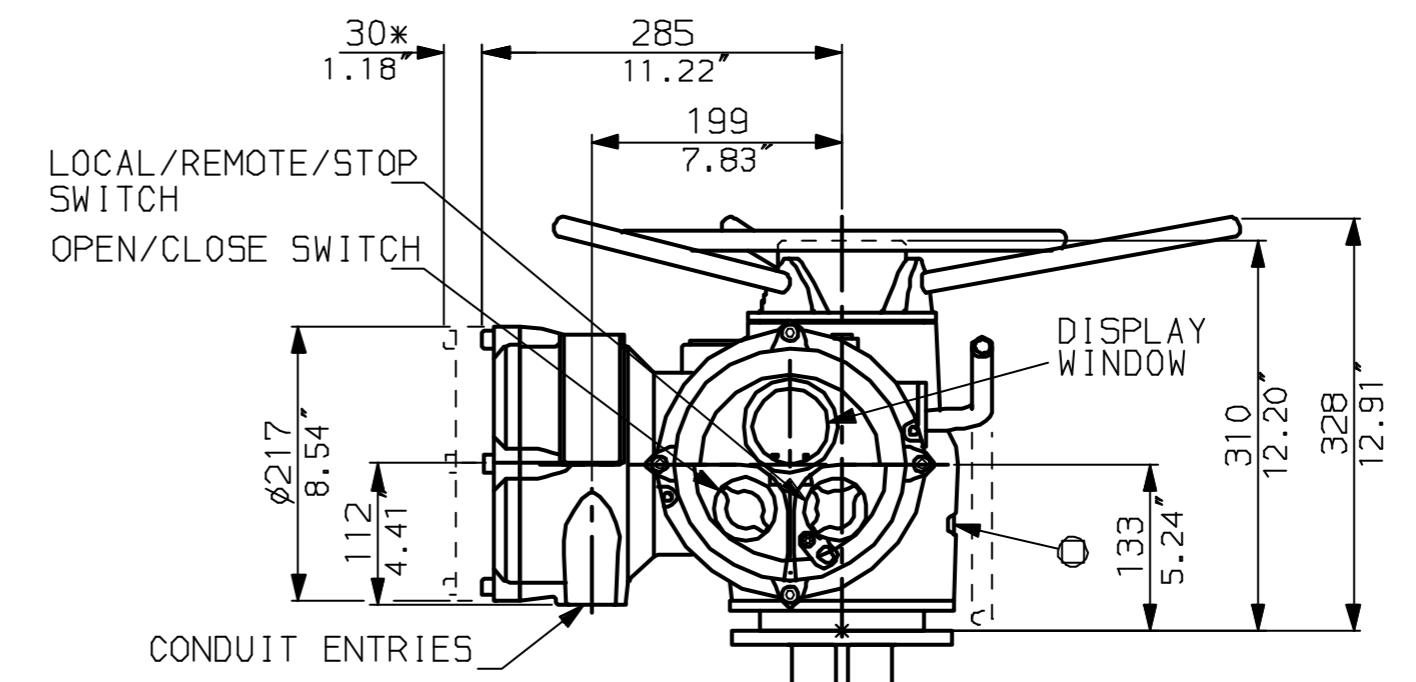
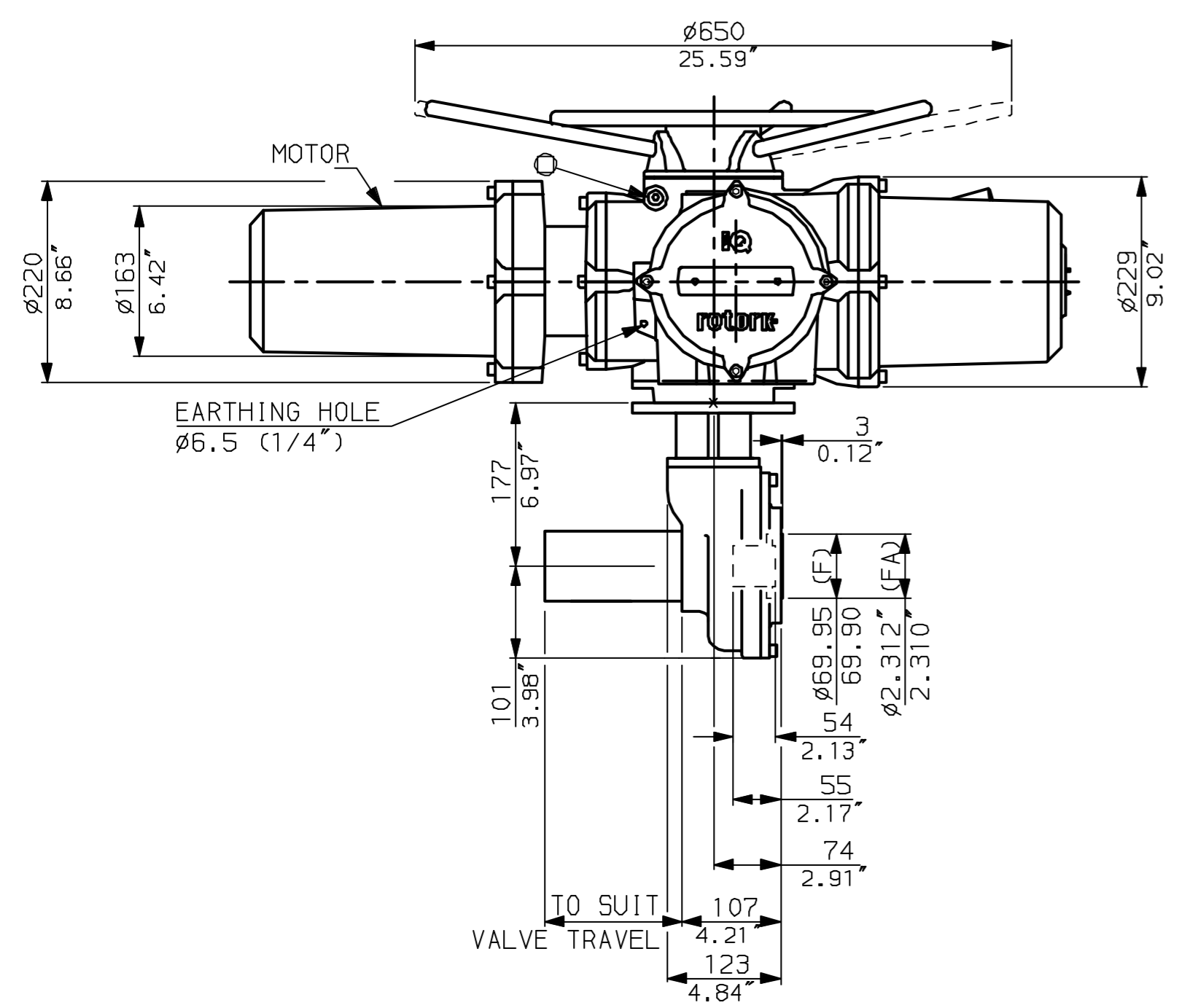


NOTES:  
DIMENSIONS WITH '\*' INDICATE COVER REMOVAL ALLOWANCE  
NETT WEIGHT = 81kg (178lbs)  
= OIL FILLER/DRAIN PLUG  
THE INTERFACE PROVIDED FOR MOUNTING THE ACTUATOR OR SECOND STAGE GEARBOX ONTO THE VALVE SHOULD CONFORM TO GOOD ENGINEERING PRACTICES, ENSURING ADEQUATELY TOLERANCED LIMITS FOR PARALLELISM, PERPENDICULARITY AND CONCENTRICITY.

**CONDUIT ENTRIES** (N.T.S)

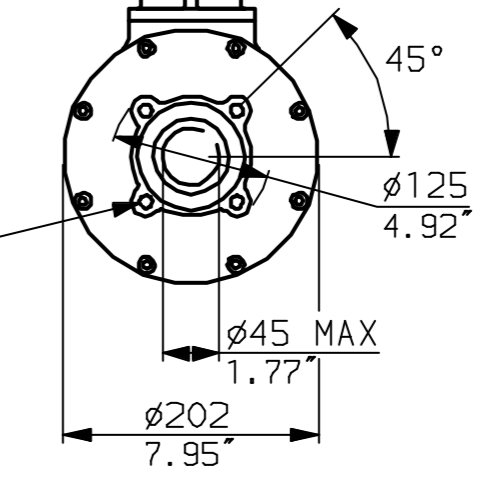


Nos.1 & 3 TAPPED 1" NPT  
No.2 TAPPED 1 1/2" NPT  
STD ALTERNATIVES IF SPECIFIED  
2 X M25, 1 X M40  
2 X PG16, 1 X PG29



"F" version  
4 HOLES TAPPED M10x15 DP EQUI-SPACED ON A 102 PCD (ISO5210 F10)

"FA" version  
4 HOLES TAPPED 3/8" UNC x0.6" dp EQUI-SPACED ON A 4" PCD (MSS SP102-FA10)



Rotork Controls Ltd.  
Bath England, BA1 3JQ.  
(Phone 01225-733200)

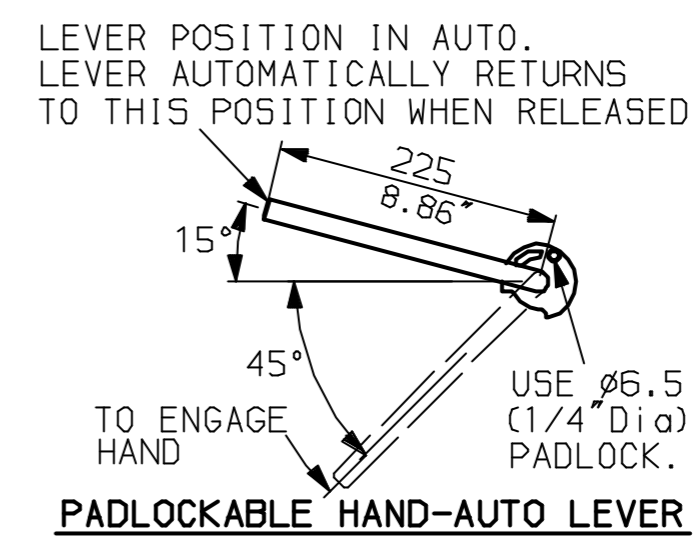
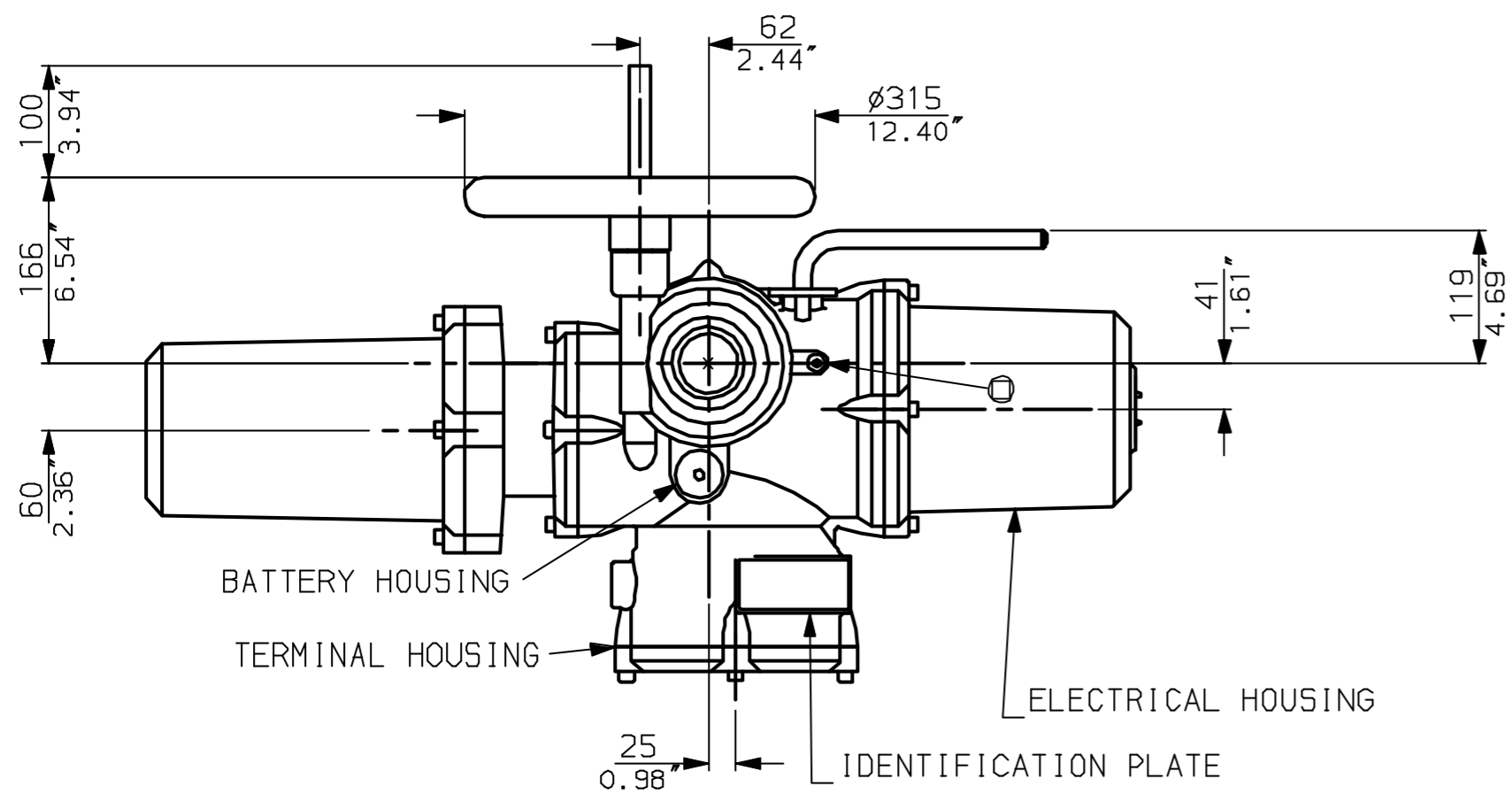
Rotork Controls Inc.  
Rochester, NY 14624  
(Phone 585-328-1550)

Title IQD25, THW, IB4,		
STANDARD DIMENSIONAL DATA		
Drawn CAD	Checked PRE	Ref Data Sheet
Date April 04	Job No IQD25THW_IB4	

01	First Issue.
Scale 1:6	THIRD ANGLE PROJECTION
Drawing Number	IQD25THW_IB4

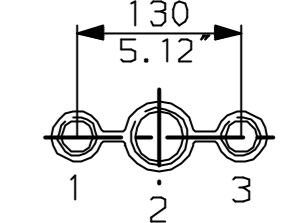
1 | 2 | 3 | 4 | 5 | 6 | 7 | 8 | 9 | 10

G  
F  
E  
D  
C  
B  
A

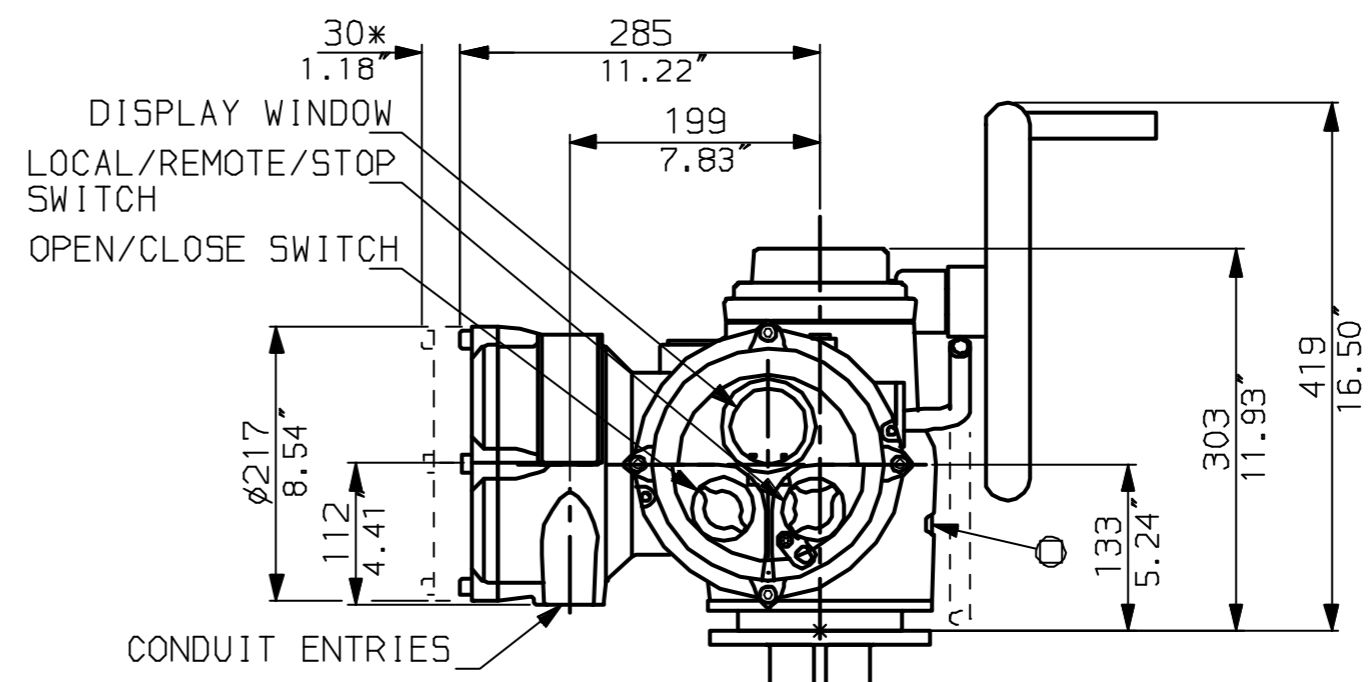
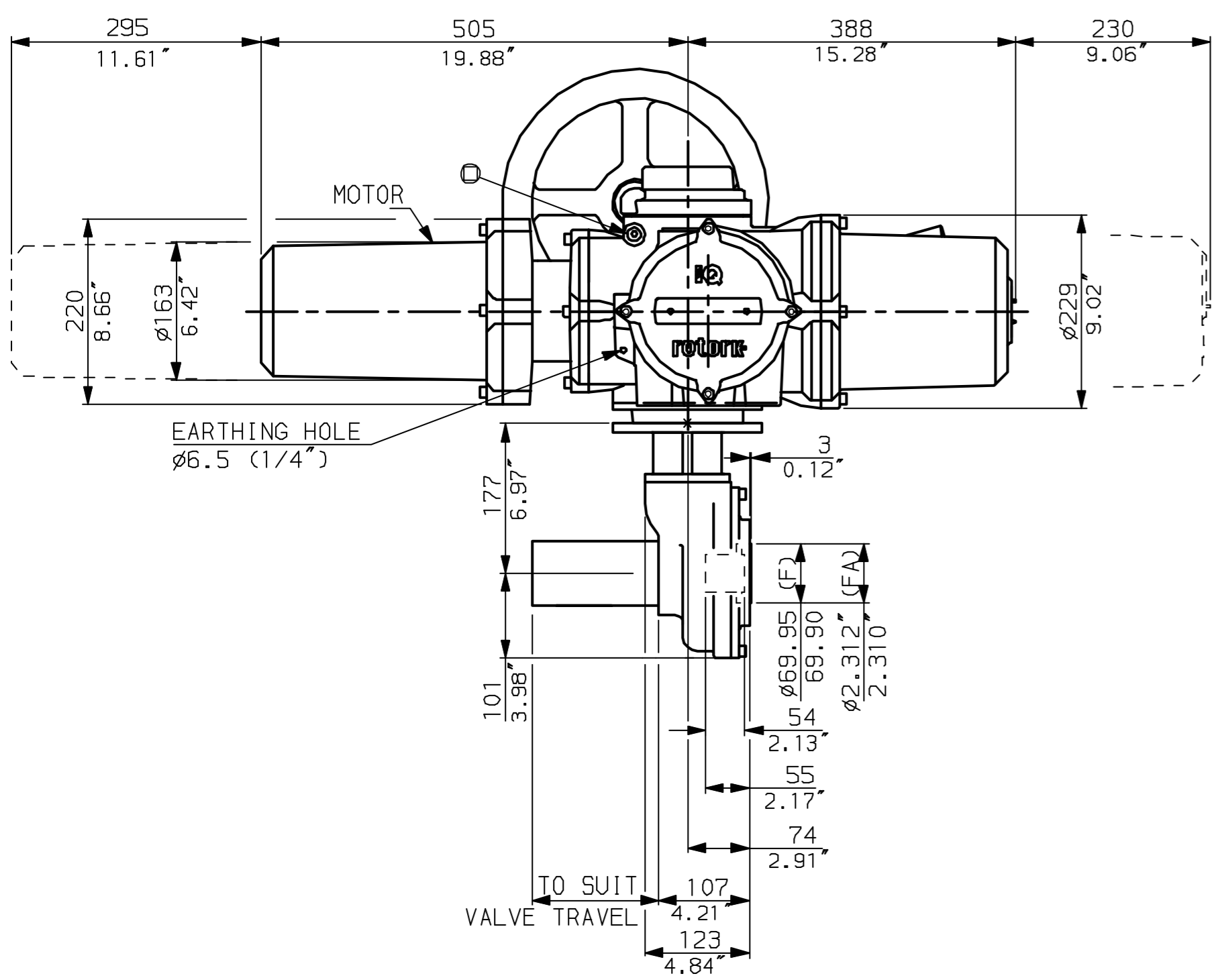


NOTES:  
 \* DIMENSIONS WITH '\*' INDICATE COVER REMOVAL ALLOWANCE  
 : NETT WEIGHT = 81kg (178lbs)  
 :  $\odot$  = OIL FILLER/DRAIN PLUG  
 : THE INTERFACE PROVIDED FOR MOUNTING THE ACTUATOR OR SECOND STAGE GEARBOX ONTO THE VALVE SHOULD CONFORM TO GOOD ENGINEERING PRACTICES, ENSURING ADEQUATELY TOLERANCED LIMITS FOR PARALLELISM, PERPENDICULARITY AND CONCENTRICITY.

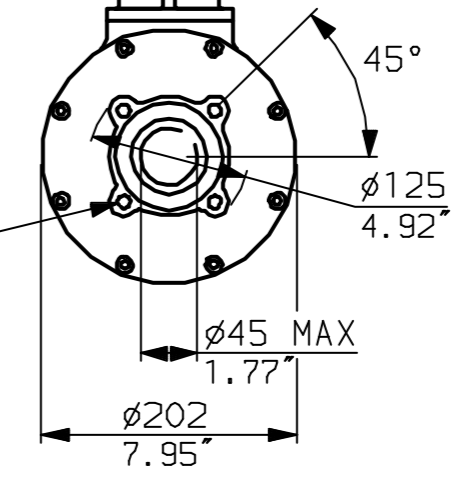
**CONDUIT ENTRIES** (N.T.S)



Nos.1 & 3 TAPPED 1" NPT  
 No.2 TAPPED 1 1/2" NPT  
 STD ALTERNATIVES IF SPECIFIED  
 2 X M25, 1 X M40  
 2 X PG16, 1 X PG29



"F" version  
 4 HOLES TAPPED M10x15 DP EQUI-SPACED ON A 102 PCD (ISO5210 F10)  
 "FA" version  
 4 HOLES TAPPED 3/8" UNC x 0.6" dp EQUI-SPACED ON A 4" PCD (MSS SP102-FA10)



Rotork Controls Ltd.  
 Bath England, BA1 3JQ.  
 (Phone 01225-733200)  
 Rotork Controls Inc.  
 Rochester, NY 14624  
 (Phone 585-328-1550)

Title IQD25, SHW, IB4,		
STANDARD DIMENSIONAL DATA		
Drawn CAD	Checked PRE	Ref Data Sheet
Date April 04	Job No IQD25SHW_IB4	

01	First Issue.
Scale 1:6	THIRD ANGLE PROJECTION
Drawing Number	IQD25SHW_IB4

1 | 2 | 3 | 4 | 5 | 6 | 7 | 8 | 9 | 10