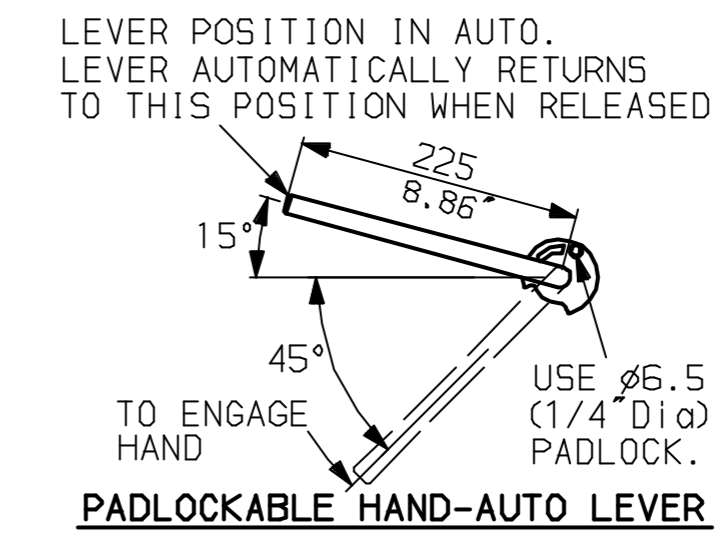
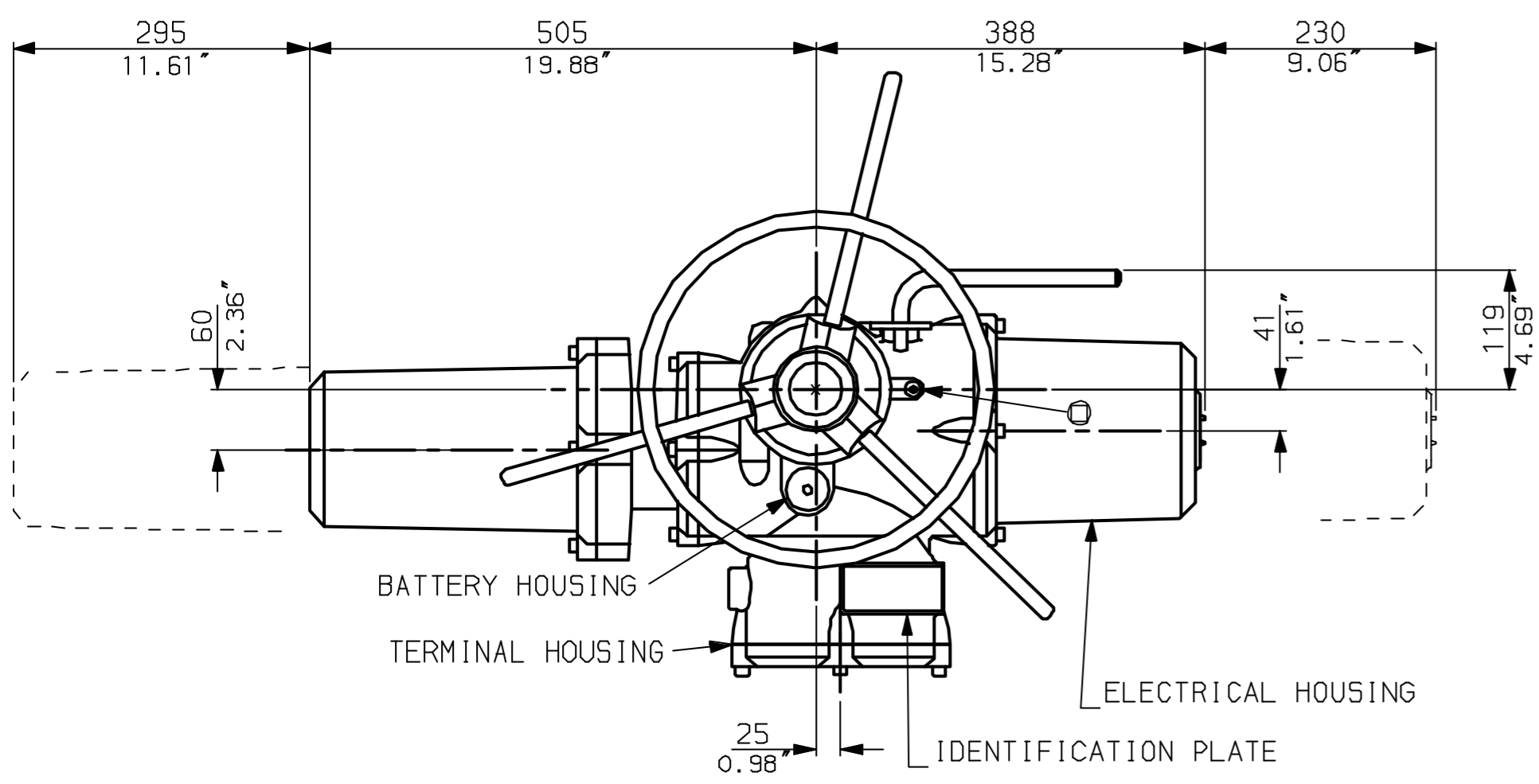
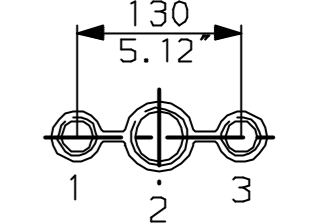


G  
F  
E  
D  
C  
B  
A

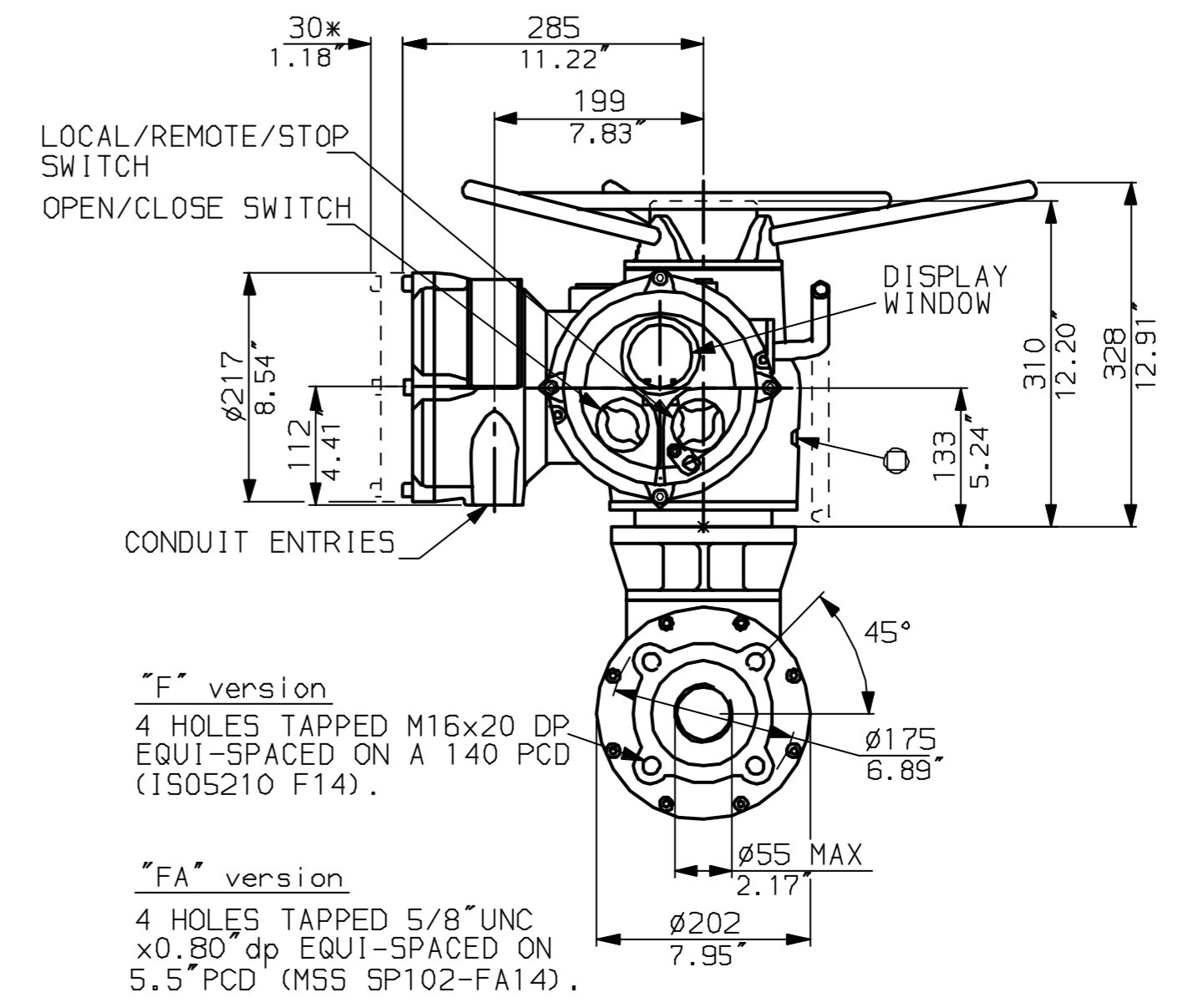
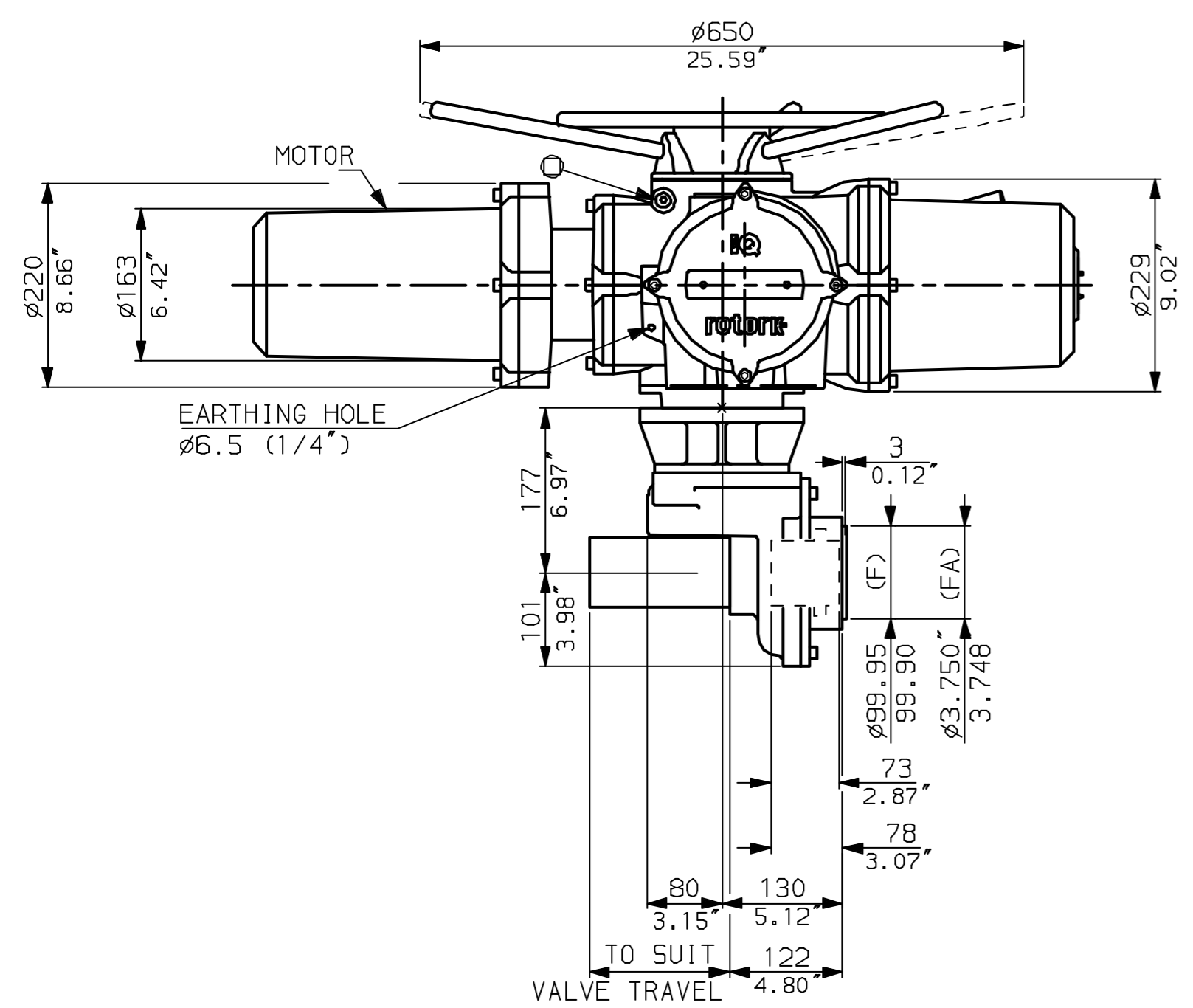


NOTES:  
 \* DIMENSIONS WITH '\*' INDICATE COVER REMOVAL ALLOWANCE  
 : NETT WEIGHT = 83kg (183lbs)  
 :  $\odot$  = OIL FILLER/DRAIN PLUG  
 : THE INTERFACE PROVIDED FOR MOUNTING THE ACTUATOR OR SECOND STAGE GEARBOX ONTO THE VALVE SHOULD CONFORM TO GOOD ENGINEERING PRACTICES, ENSURING ADEQUATELY TOLERANCED LIMITS FOR PARALLELISM, PERPENDICULARITY AND CONCENTRICITY.

**CONDUIT ENTRIES** (N.T.S)



Nos.1 & 3 TAPPED 1" NPT  
 No.2 TAPPED 1 1/2" NPT  
 STD ALTERNATIVES IF SPECIFIED  
 2 X M25, 1 X M40  
 2 X PG16, 1 X PG29



"F" version  
 4 HOLES TAPPED M16x20 DP  
 EQUI-SPACED ON A 140 PCD  
 (IS05210 F14).

"FA" version  
 4 HOLES TAPPED 5/8" UNC  
 x0.80" dp EQUI-SPACED ON  
 5.5" PCD (MSS SP102-FA14).



Rotork Controls Ltd.  
 Bath England, BA1 3JQ.  
 (Phone 01225-733200)

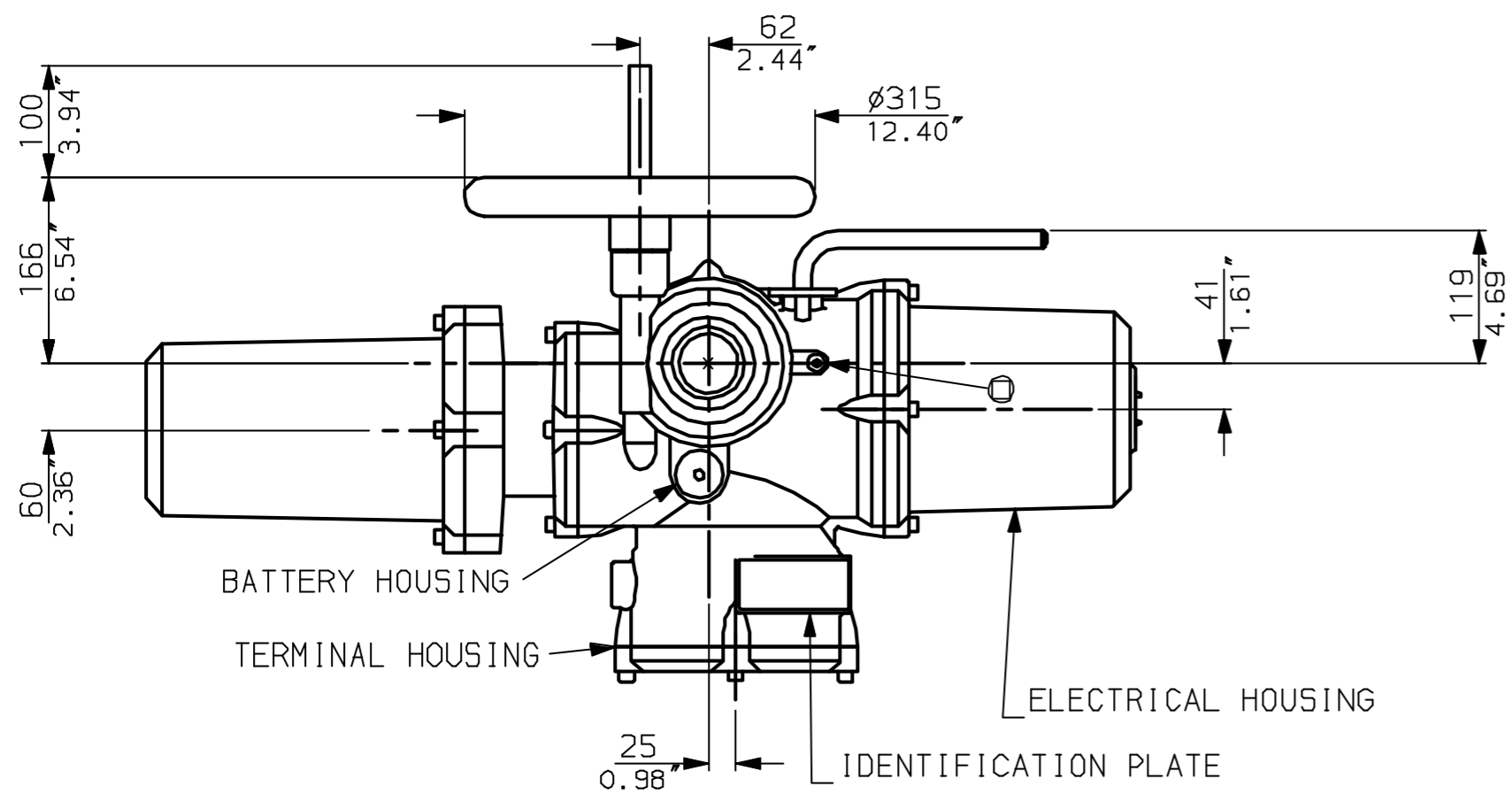
Rotork Controls Inc.  
 Rochester, NY 14624  
 (Phone 585-328-1550)

Title IQD25, THW, IB3,		
STANDARD DIMENSIONAL DATA		
Drawn CAD	Checked PRE	Ref Data Sheet
Date April 04	Job No IQD25THW_IB3	

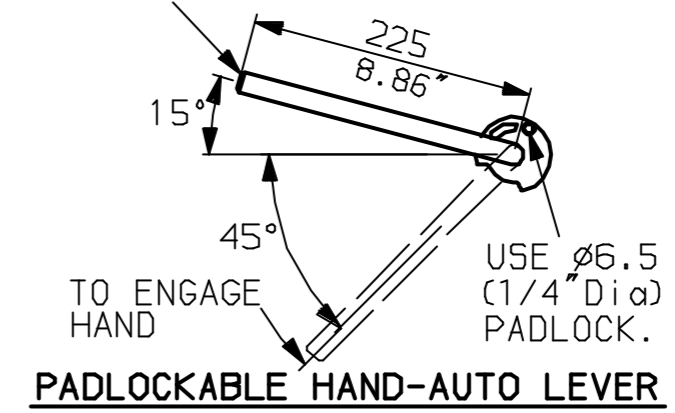
01	First Issue.
Scale	1:6 THIRD ANGLE PROJECTION
Drawing Number	IQD25THW_IB3

1 | 2 | 3 | 4 | 5 | 6 | 7 | 8 | 9 | 10

G  
F  
E  
D  
C  
B  
A

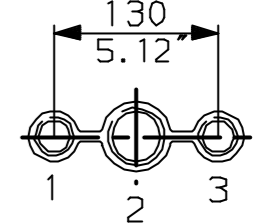


LEVER POSITION IN AUTO.  
LEVER AUTOMATICALLY RETURNS  
TO THIS POSITION WHEN RELEASED

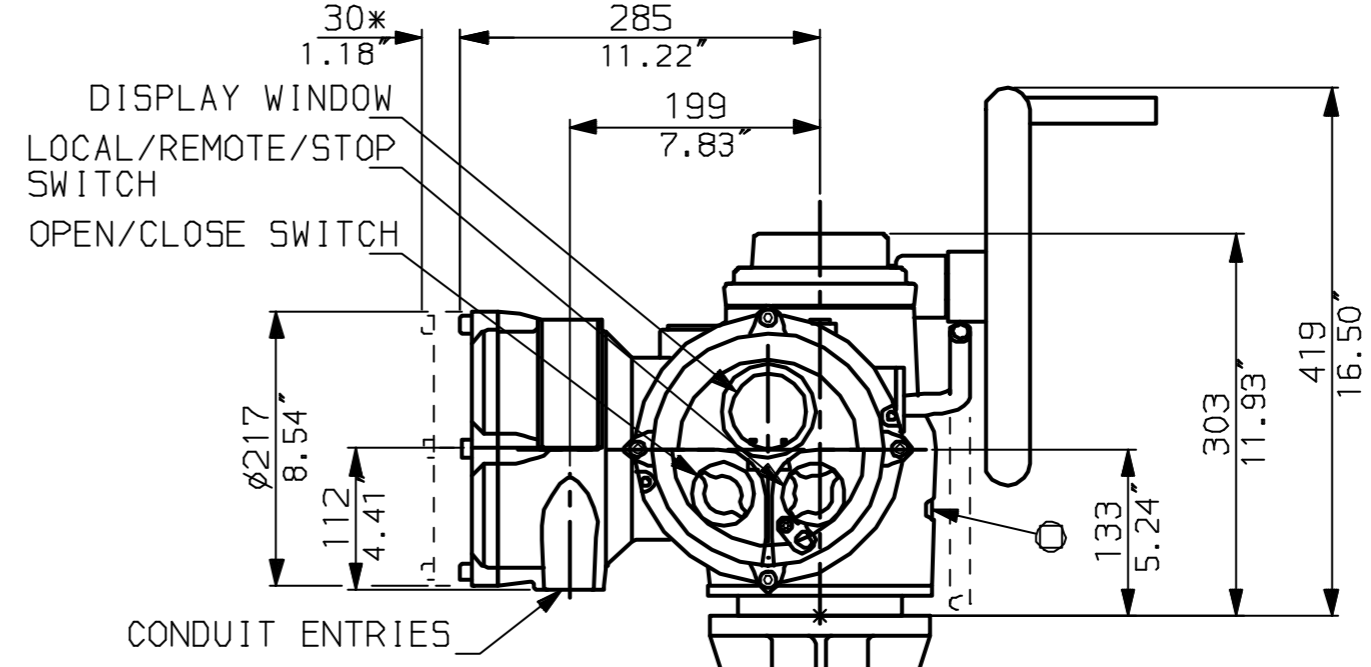
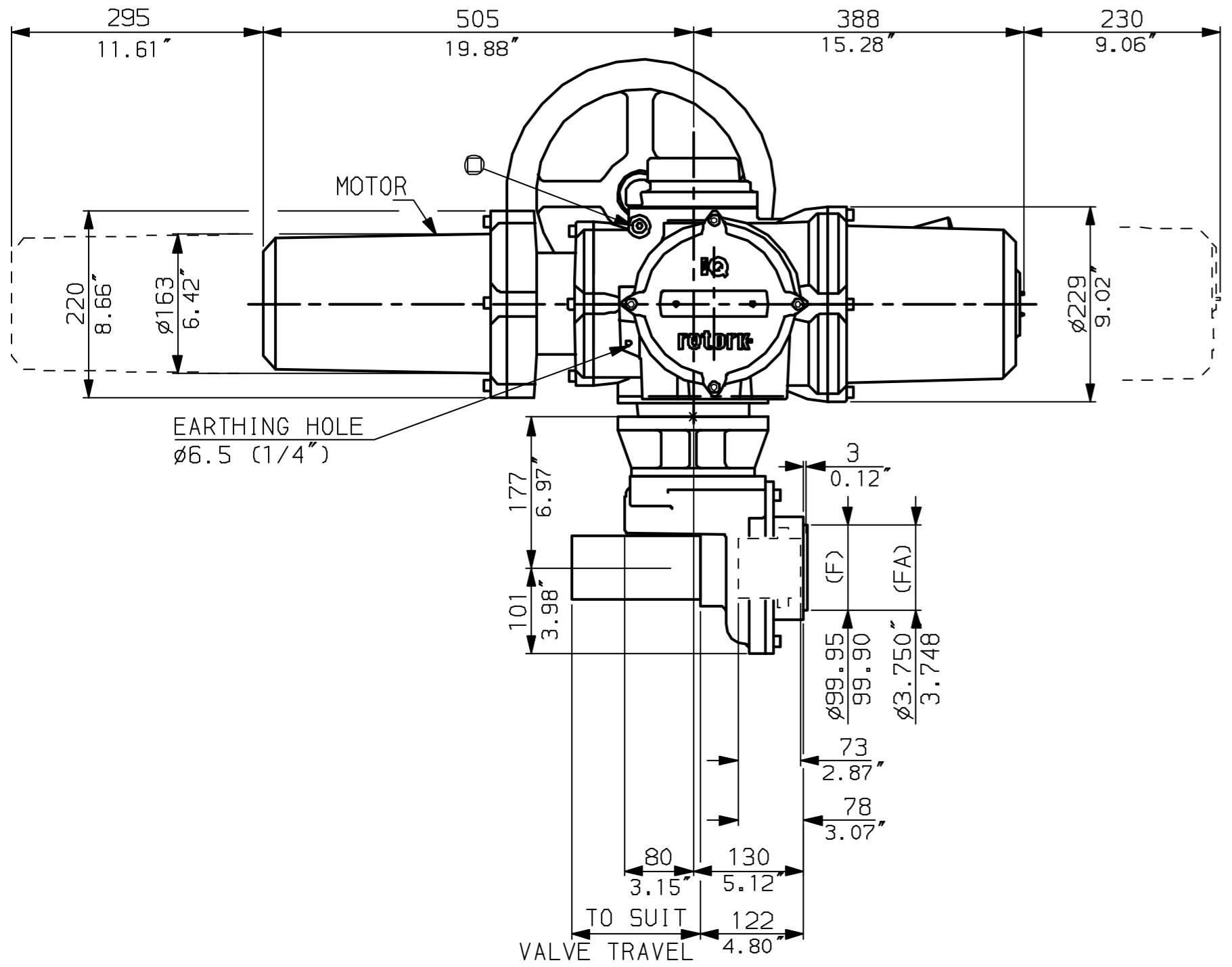


NOTES:  
DIMENSIONS WITH '\*' INDICATE COVER REMOVAL ALLOWANCE  
NETT WEIGHT = 83kg (183lbs)  
○ = OIL FILLER/DRAIN PLUG  
THE INTERFACE PROVIDED FOR MOUNTING THE ACTUATOR OR SECOND STAGE GEARBOX ONTO THE VALVE SHOULD CONFORM TO GOOD ENGINEERING PRACTICES, ENSURING ADEQUATELY TOLERANCED LIMITS FOR PARALLELISM, PERPENDICULARITY AND CONCENTRICITY.

CONDUIT ENTRIES (N.T.S)

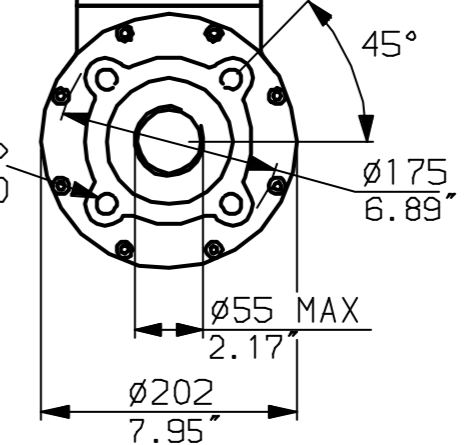


Nos.1 & 3 TAPPED 1" NPT  
No.2 TAPPED 1 1/2" NPT  
STD ALTERNATIVES IF SPECIFIED  
2 X M25, 1 X M40  
2 X PG16, 1 X PG29



"F" version  
4 HOLES TAPPED M16x20 DP  
EQUI-SPACED ON A 140 PCD  
(ISO5210 F14).

"FA" version  
4 HOLES TAPPED 5/8"UNC  
x0.80" dp EQUI-SPACED ON  
5.5"PCD (MSS SP102-FA14).



Rotork Controls Ltd.  
Bath England, BA1 3JQ.  
(Phone 01225-733200)  
Rotork Controls Inc.  
Rochester, NY 14624  
(Phone 585-328-1550)

Title IQD25, SHW, IB3,		
STANDARD DIMENSIONAL DATA		
Drawn CAD	Checked PRE	Ref Data Sheet
Date April 04	Job No IQD25SHW_IB3	

01	First Issue.
Scale	1:6 THIRD ANGLE PROJECTION
Drawing Number	IQD25SHW_IB3

1 | 2 | 3 | 4 | 5 | 6 | 7 | 8 | 9 | 10