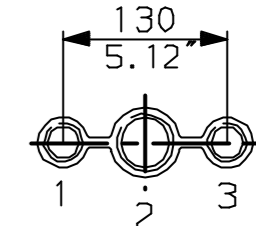
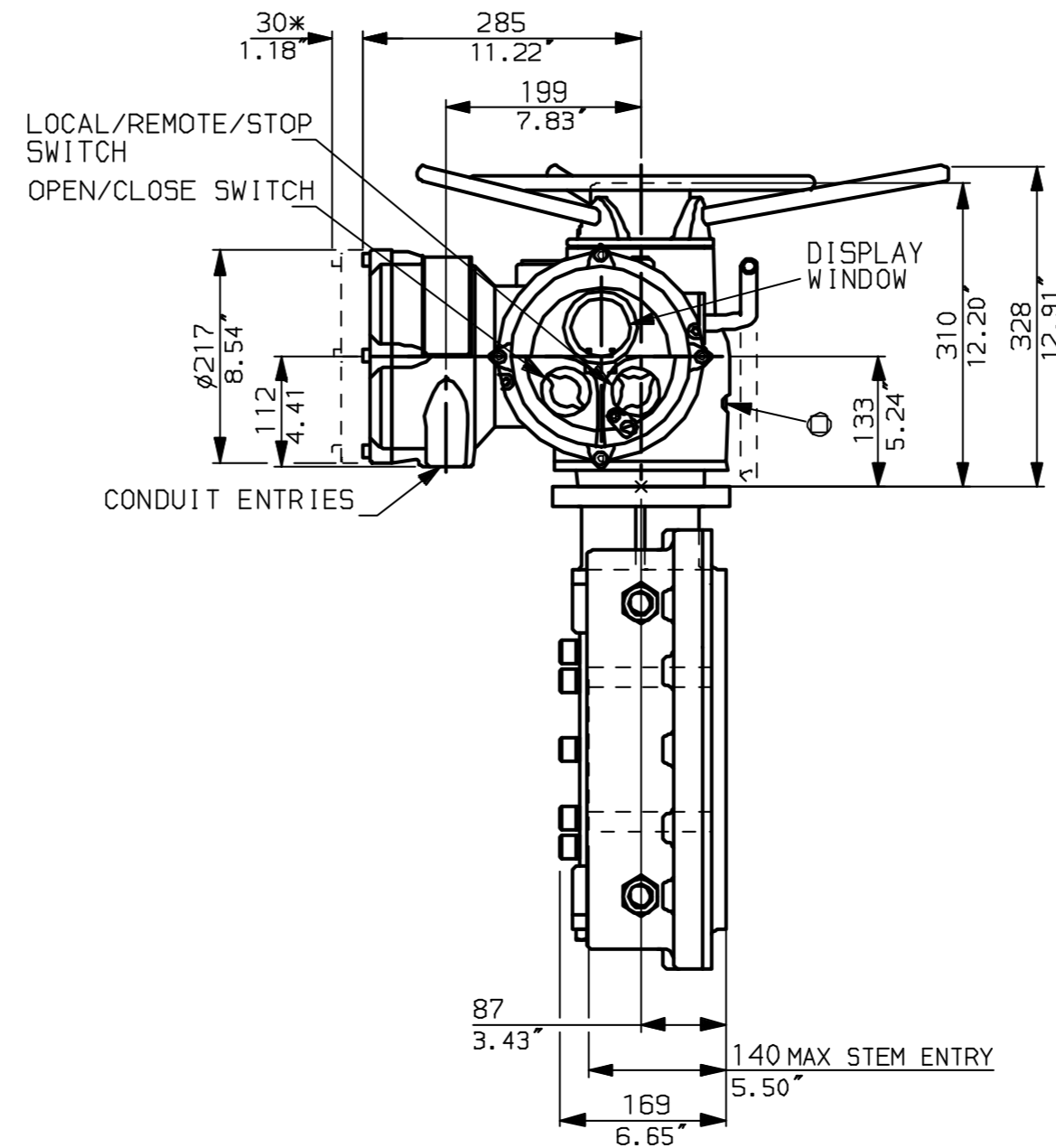
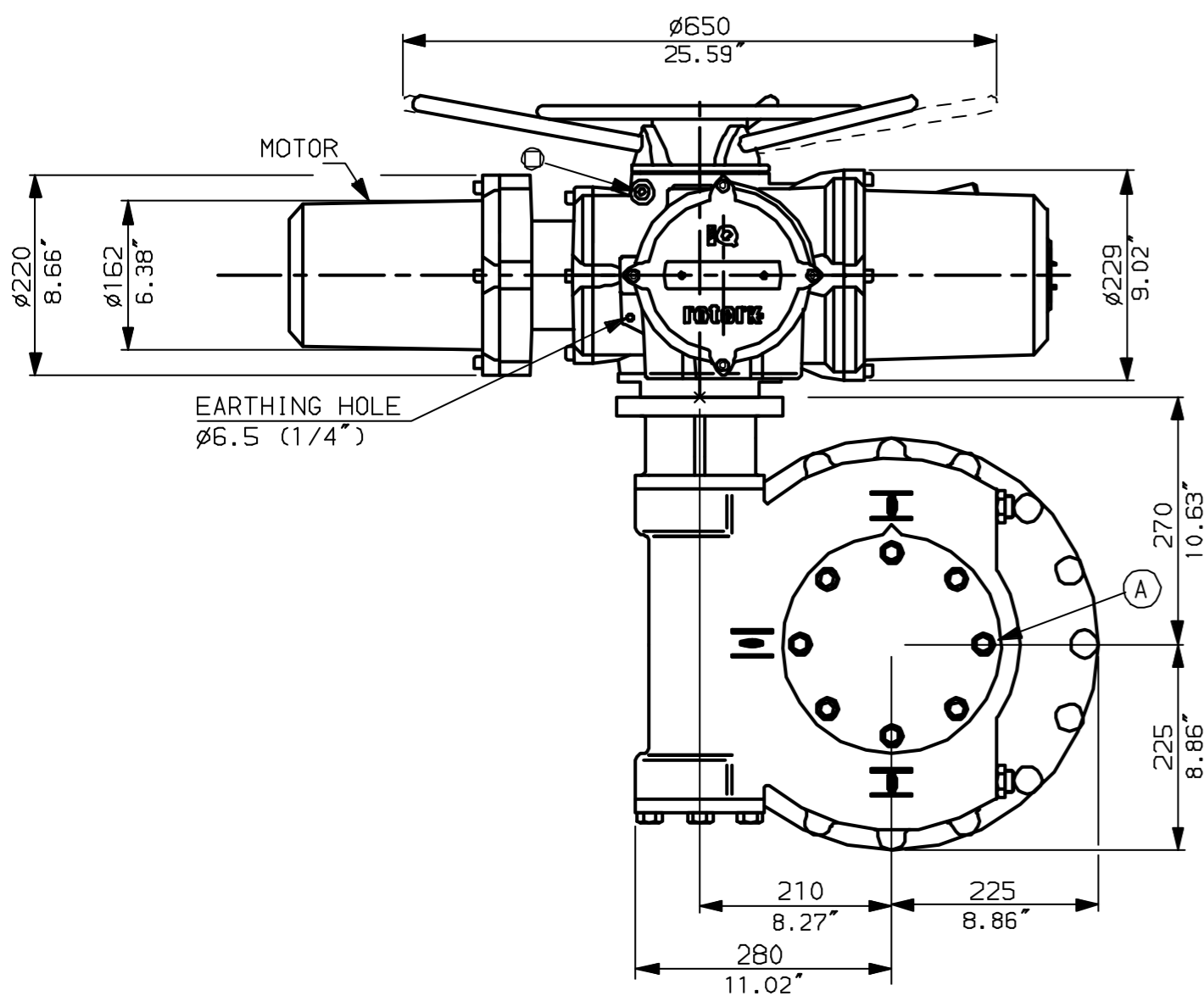


NOTES:
 * DIMENSIONS WITH '*' INDICATE COVER REMOVAL ALLOWANCE
 : NETT WEIGHT = 173kg (381 lbs)
 : \odot = OIL FILLER/DRAIN PLUG
 : THE INTERFACE PROVIDED FOR MOUNTING THE ACTUATOR OR SECOND STAGE GEARBOX ONTO THE VALVE SHOULD CONFORM TO GOOD ENGINEERING PRACTICES, ENSURING ADEQUATELY TOLERANCED LIMITS FOR PARALLELISM, PERPENDICULARITY AND CONCENTRICITY.

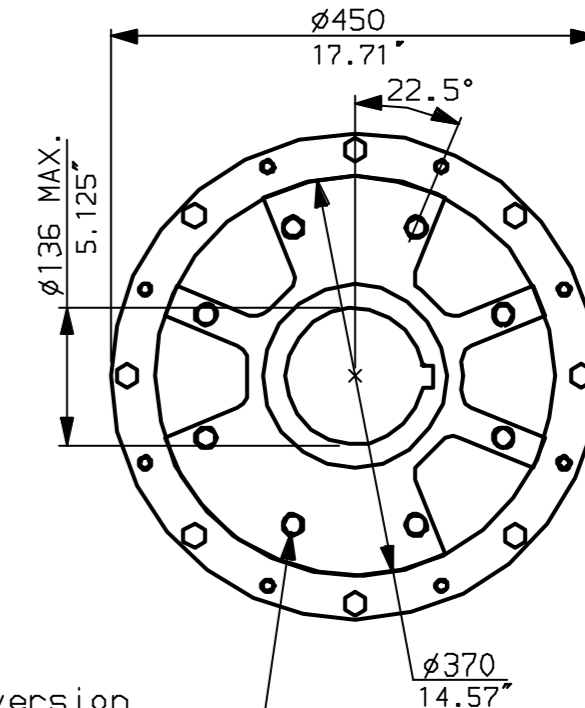
CONDUIT ENTRIES (N.T.S)



Nos.1 & 3 TAPPED 1" NPT
 No.2 TAPPED 1 1/2" NPT
 STD ALTERNATIVES IF SPECIFIED
 2 X M25, 1 X M40
 2 X PG16, 1 X PG29



N.B. KEYWAY POS. CAN BE MOVED 45° STEPS BY REMOVING 8 SCREWS MARKED (A) AND ROTATING OUTPUT SLEEVE.



"F" version
 8 HOLES TAPPED M20 x 24 DP
 EQUI-SPACED AS SHOWN ON A
 298 PCD (ISO 5211-F30).

"FA" version
 8 HOLES TAPPED 3/4" UNC x 0.94" dp
 EQUI-SPACED AS SHOWN ON A
 11.75" PCD (MSS SP101-FA30).

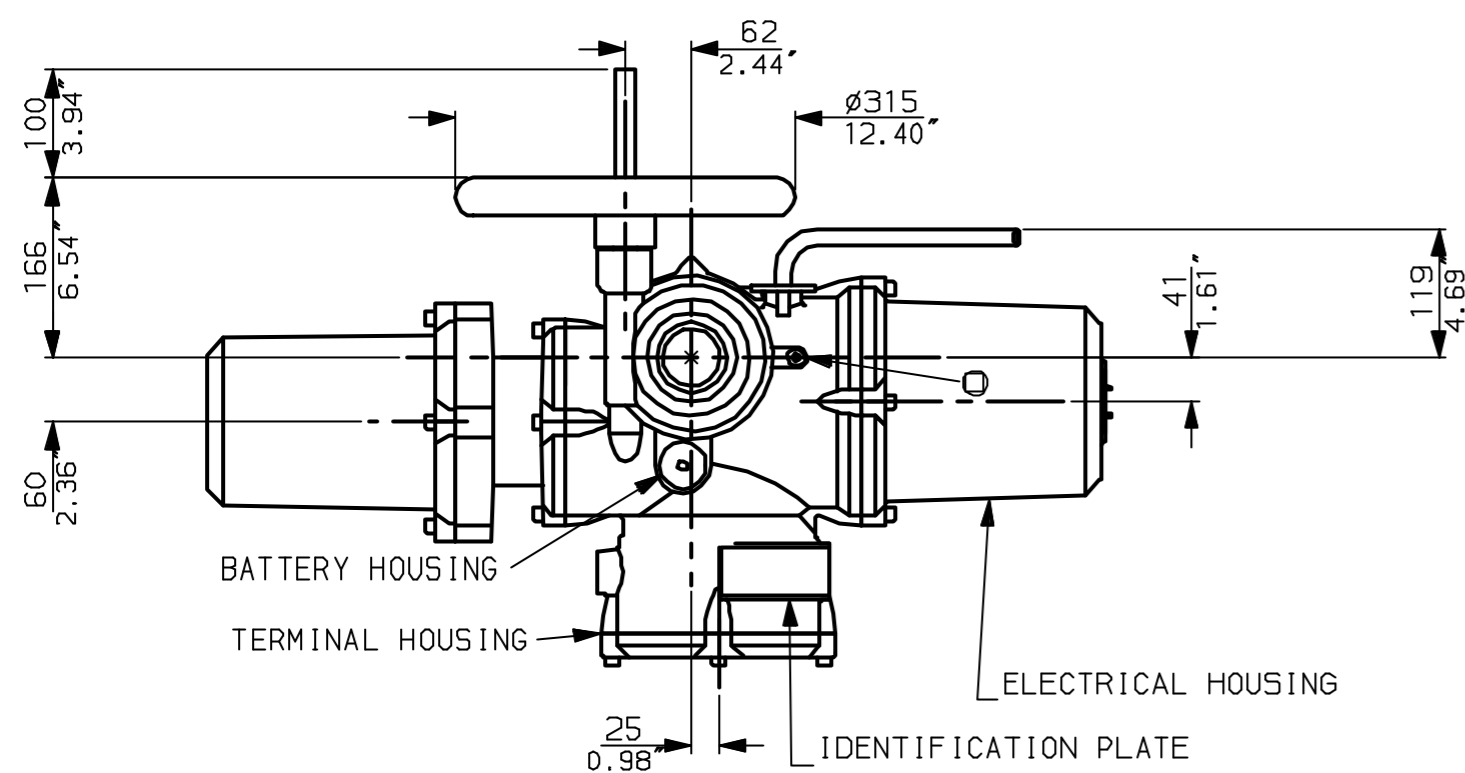


Rotork Controls Ltd.
 Bath England, BA1 3JQ.
 (Phone 01225-733200)
 Rotork Controls Inc.
 Rochester, NY 14624
 (Phone 585-328-1550)

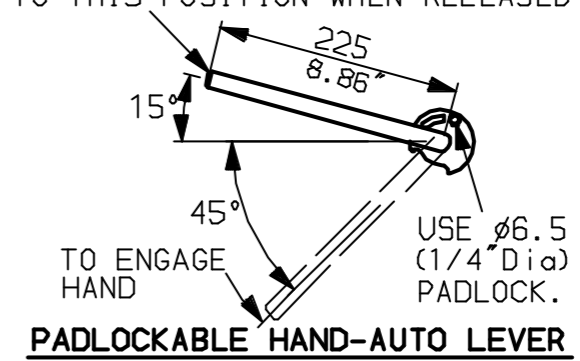
Title IQD20, THW, IW7 (+72),		
STANDARD DIMENSIONAL DATA		
Drawn CAD	Checked PRE	Ref Data Sheet
Date April 04	Job No IQD20THW_IW7	

01	First Issue.
Scale	1:7 THIRD ANGLE PROJECTION
Drawing Number	IQD20THW_IW7

G
F
E
D
C
B
A

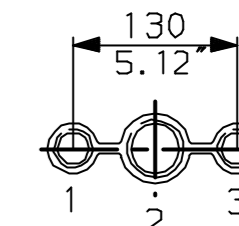


LEVER POSITION IN AUTO.
LEVER AUTOMATICALLY RETURNS
TO THIS POSITION WHEN RELEASED

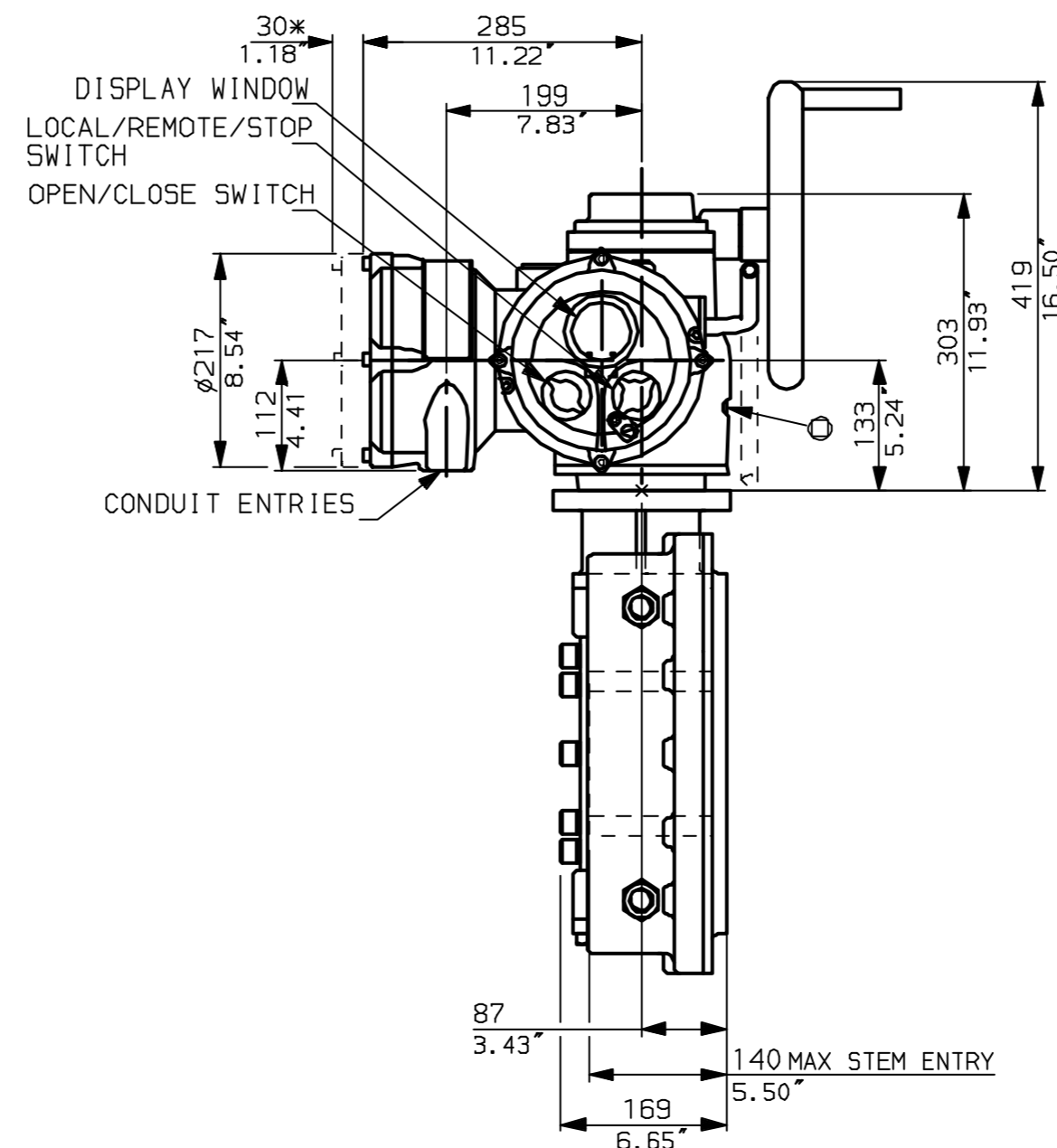
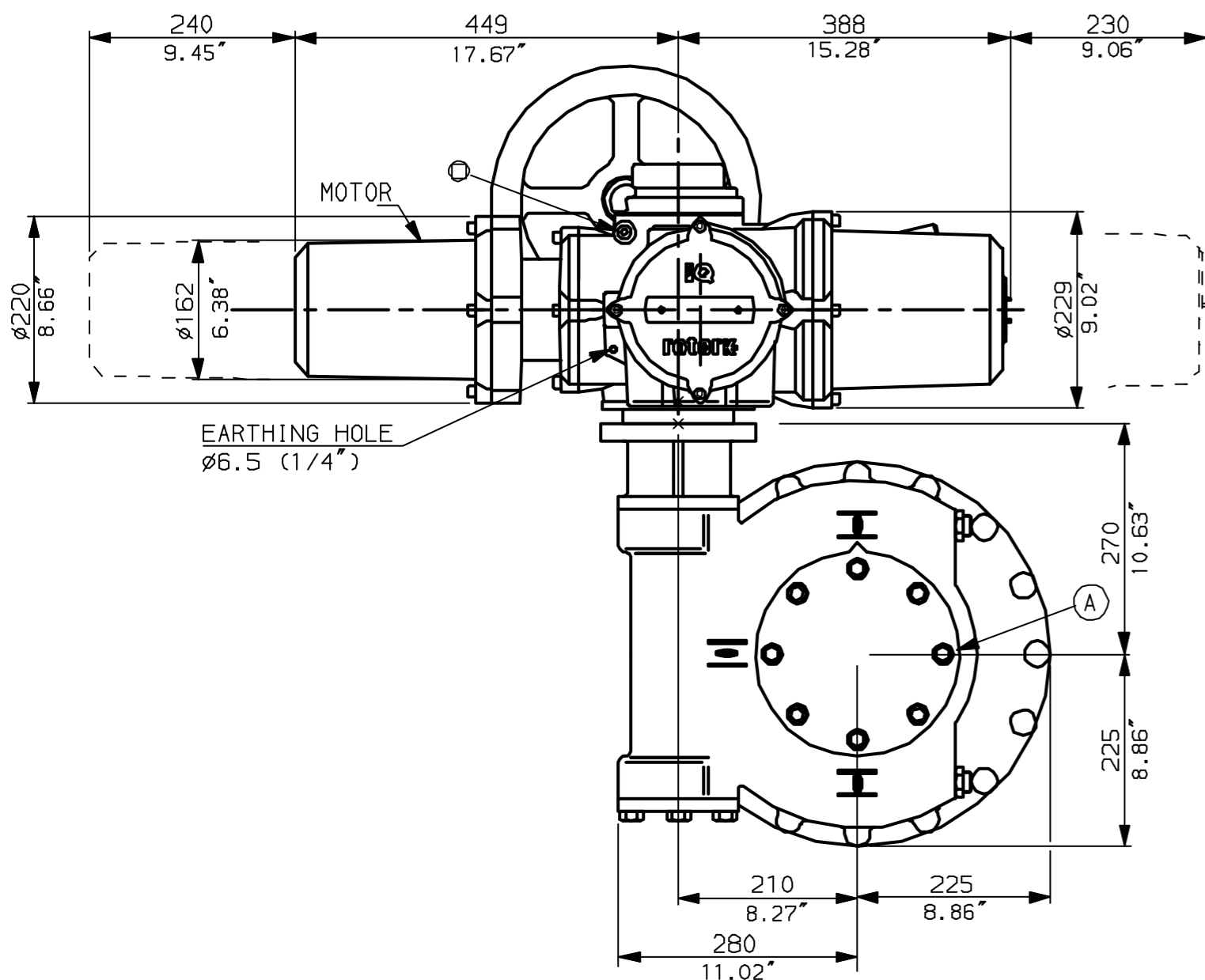


NOTES:
DIMENSIONS WITH '*' INDICATE
COVER REMOVAL ALLOWANCE
NETT WEIGHT = 173kg (381 lbs)
○ = OIL FILLER/DRAIN PLUG
THE INTERFACE PROVIDED FOR MOUNTING THE
ACTUATOR OR SECOND STAGE GEARBOX ONTO THE
VALVE SHOULD CONFORM TO GOOD ENGINEERING
PRACTICES, ENSURING ADEQUATELY TOLERANCED
LIMITS FOR PARALLELISM, PERPENDICULARITY
AND CONCENTRICITY.

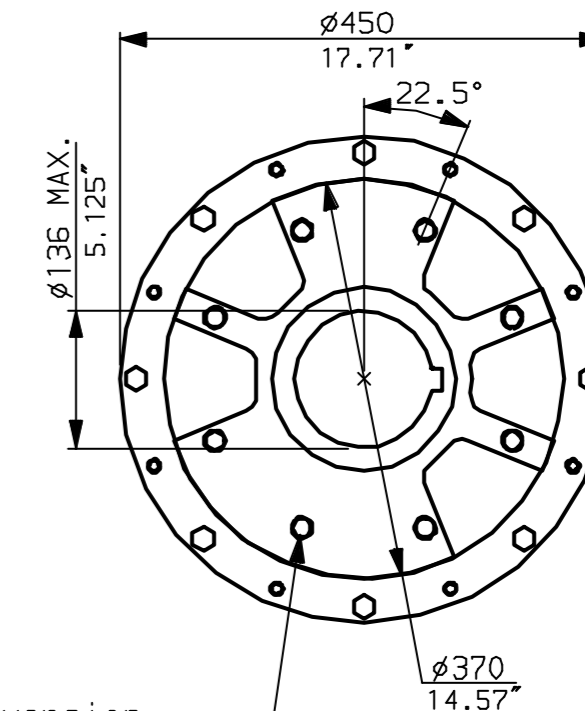
CONDUIT ENTRIES (N.T.S)



Nos.1 & 3 TAPPED 1" NPT
No.2 TAPPED 1 1/2" NPT
STD ALTERNATIVES IF SPECIFIED
2 X M25, 1 X M40
2 X PG16, 1 X PG29



N.B. KEYWAY POS. CAN BE MOVED
45° STEPS BY REMOVING 8 SCREWS
MARKED (A) AND ROTATING OUTPUT
SLEEVE.



"F" version
8 HOLES TAPPED M20 x 24 DP
EQUI-SPACED AS SHOWN ON A
298 PCD (ISO 5211-F30).

"FA" version
8 HOLES TAPPED 3/4" UNC x 0.94" dp
EQUI-SPACED AS SHOWN ON A
11.75" PCD (MSS SP101-FA30).

rotork
www.rotork.com

Rotork Controls Ltd.
Bath England, BA1 3JQ.
(Phone 01225-733200)
Rotork Controls Inc.
Rochester, NY 14624
(Phone 585-328-1550)

Title IQD20, SHW, IW7 (+72),		
STANDARD DIMENSIONAL DATA		
Drawn CAD	Checked PRE	Ref Data Sheet
Date April 04	Job No IQD20SHW_IW7	

01	First Issue.
Scale 1:7	THIRD ANGLE PROJECTION
Drawing Number	IQD20SHW_IW7

1 | 2 | 3 | 4 | 5 | 6 | 7 | 8 | 9 | 10