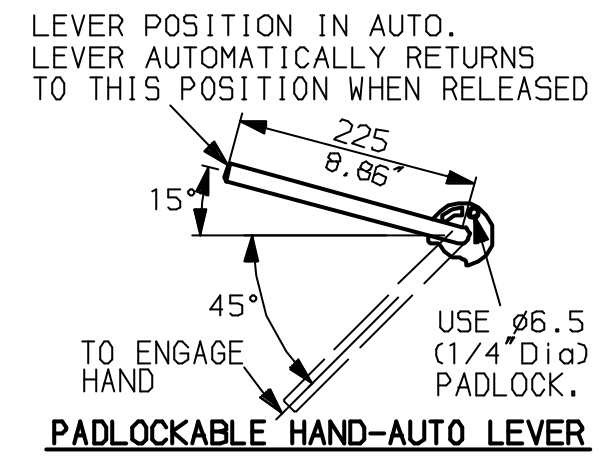
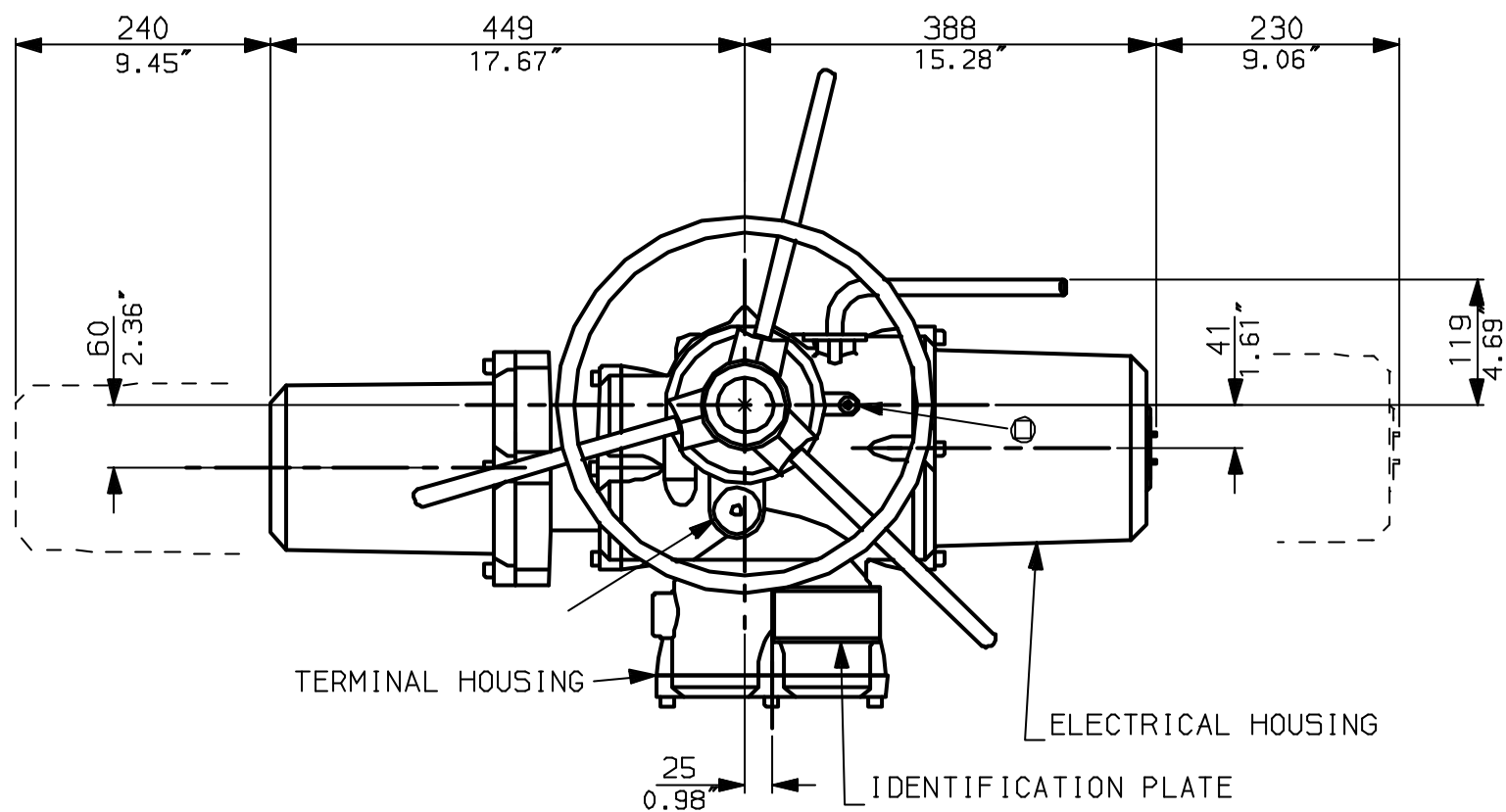
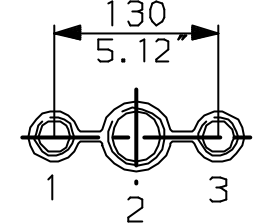


G
F
E
D
C
B
A

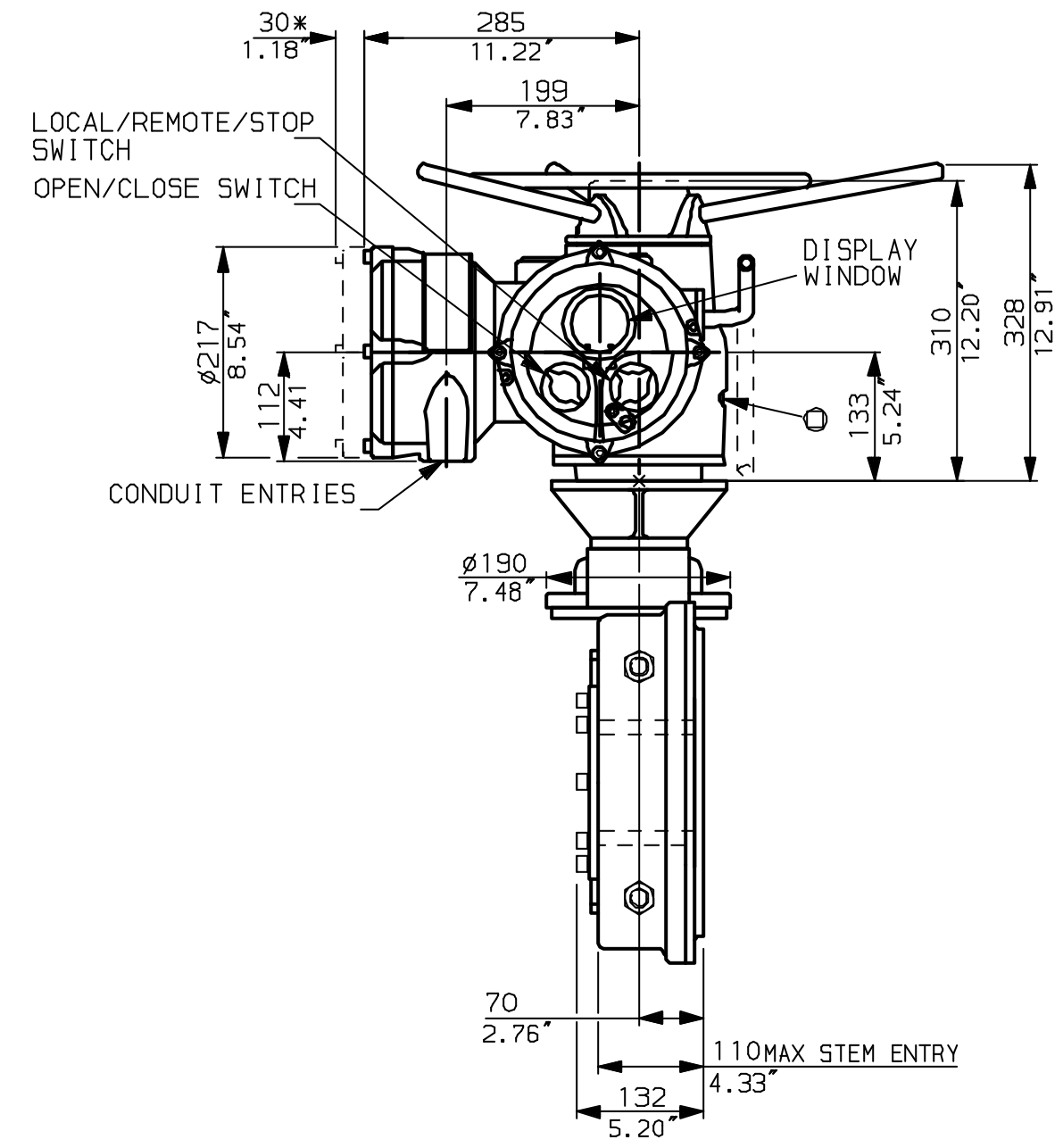
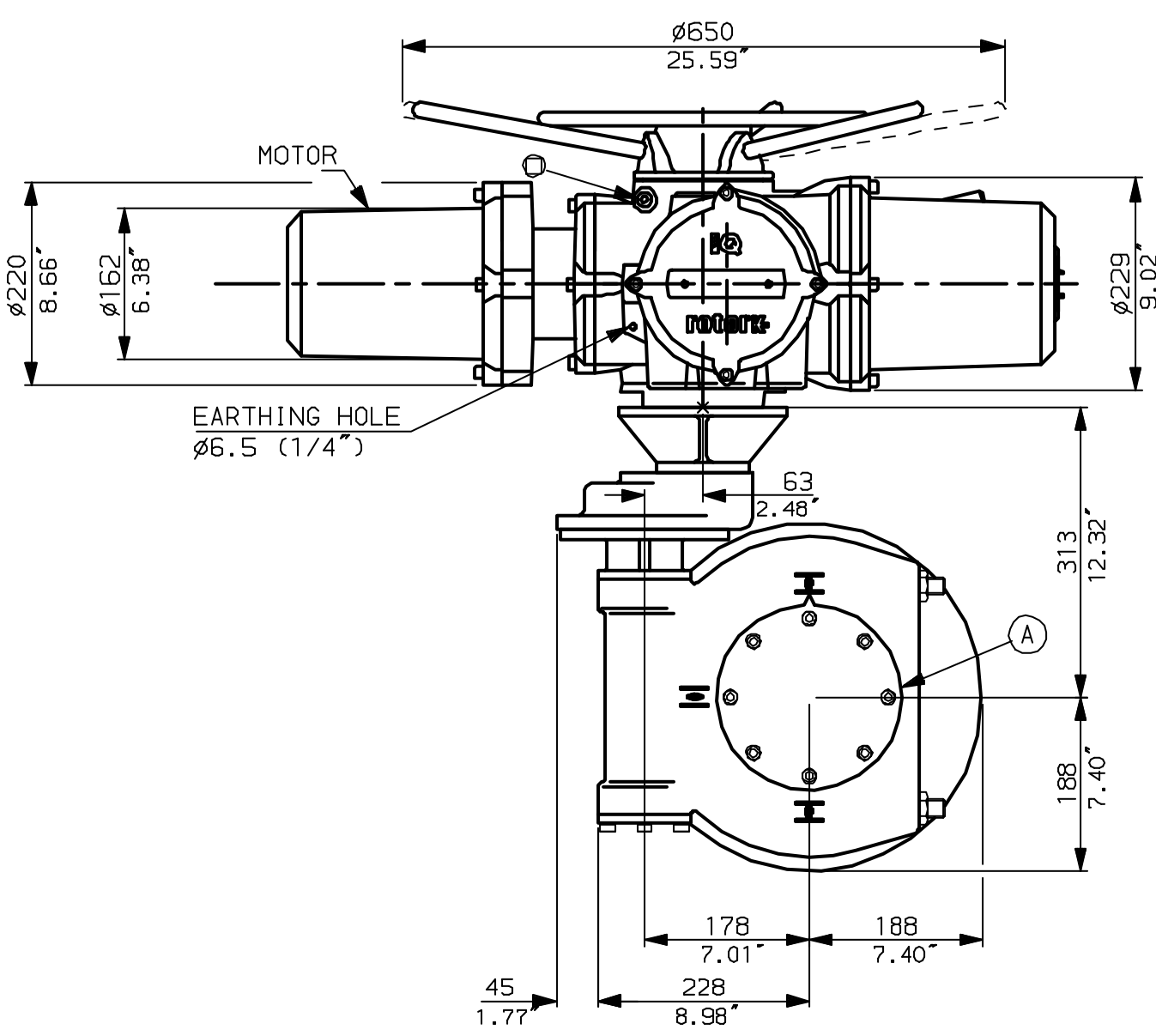


NOTES:
: DIMENSIONS WITH '*' INDICATE COVER REMOVAL ALLOWANCE
: NETT WEIGHT = 132kg (290lbs)
: \odot = OIL FILLER/DRAIN PLUG
: THE INTERFACE PROVIDED FOR MOUNTING THE ACTUATOR OR SECOND STAGE GEARBOX ONTO THE VALVE SHOULD CONFORM TO GOOD ENGINEERING PRACTICES, ENSURING ADEQUATELY TOLERANCED LIMITS FOR PARALLELISM, PERPENDICULARITY AND CONCENTRICITY.

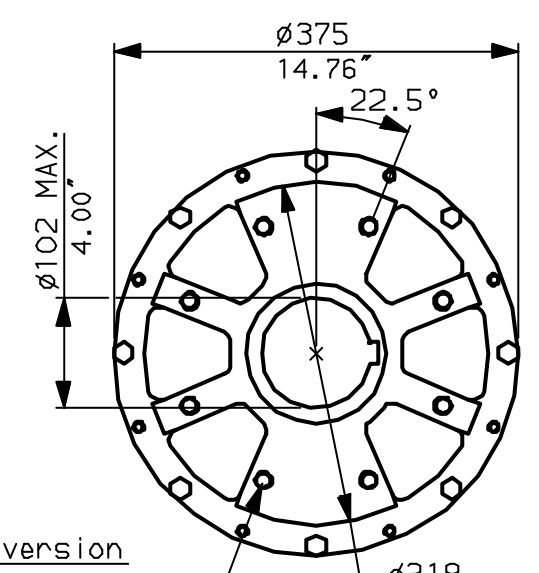
CONDUIT ENTRIES (N.T.S)



Nos.1 & 3 TAPPED 1" NPT
No.2 TAPPED 1 1/2" NPT
STD ALTERNATIVES IF SPECIFIED
2 X M25, 1 X M40
2 X PG16, 1 X PG29



N.B. KEYWAY POS. CAN BE MOVED 90 OR 180° BY REMOVING 8 SCREWS MARKED (A) AND ROTATING OUTPUT SLEEVE.



"F" version
8 HOLES TAPPED M16 x 16 L ϕ 318
EQUI-SPACED AS SHOWN ON A 2.52" 254 PCD (ISO 5211-F25).

"FA" version
8 HOLES TAPPED 5/8" UNC x 0.63" dp
EQUI-SPACED AS SHOWN ON A 10" PCD (MSS SP101-FA25).



Rotork Controls Ltd.
Bath England, BA1 3JQ.
(Phone 01225-733200)

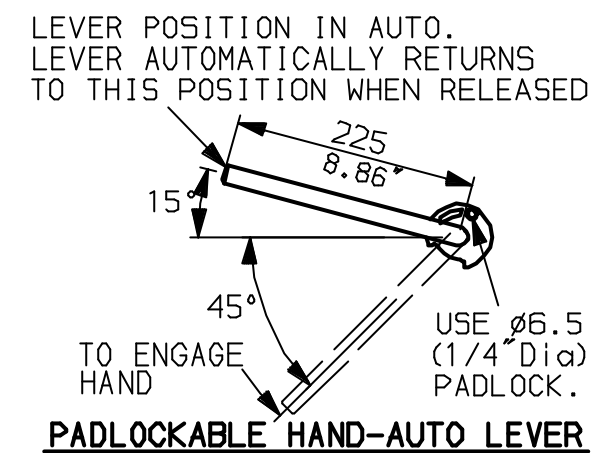
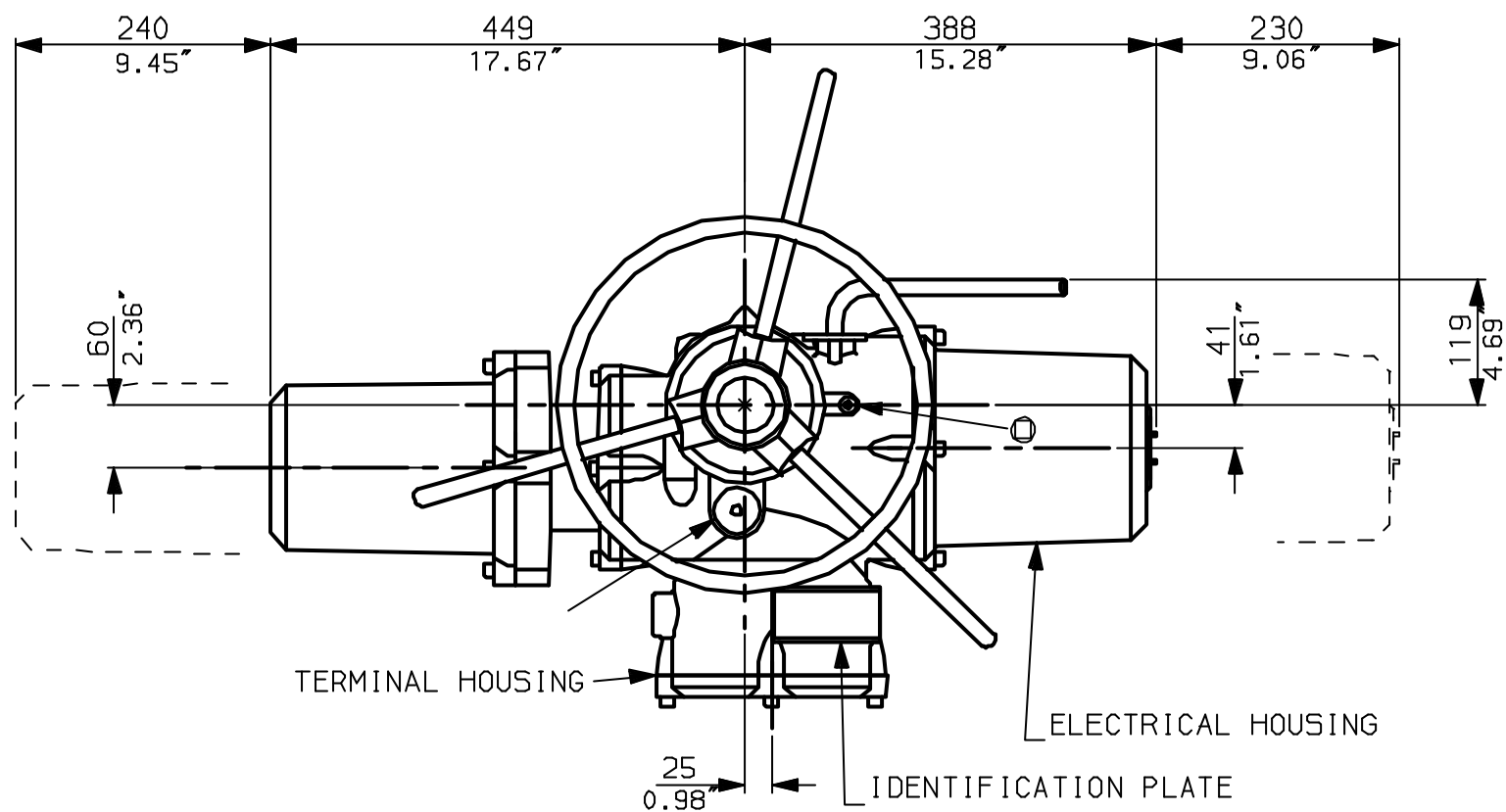
Rotork Controls Inc.
Rochester, NY 14624
(Phone 585-328-1550)

Title IQD20, THW, IW6(+63)RL,		
STANDARD DIMENSIONAL DATA		
Drawn CAD	Checked PRE	Ref Data Sheet
Date April 04	Job No	IQD20THW_IW6RL

NOTE:
Gearbox is shown with LOW Ratio Input Reducer.
(ie Ratios 140,210,280)
See Data Sheet with IW6Rh for HIGH ratio option.

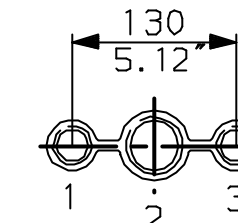
01	First Issue.
Scale	1:7 THIRD ANGLE PROJECTION
Drawing Number	IQD20THW_IW6RL

1 | 2 | 3 | 4 | 5 | 6 | 7 | 8 | 9 | 10

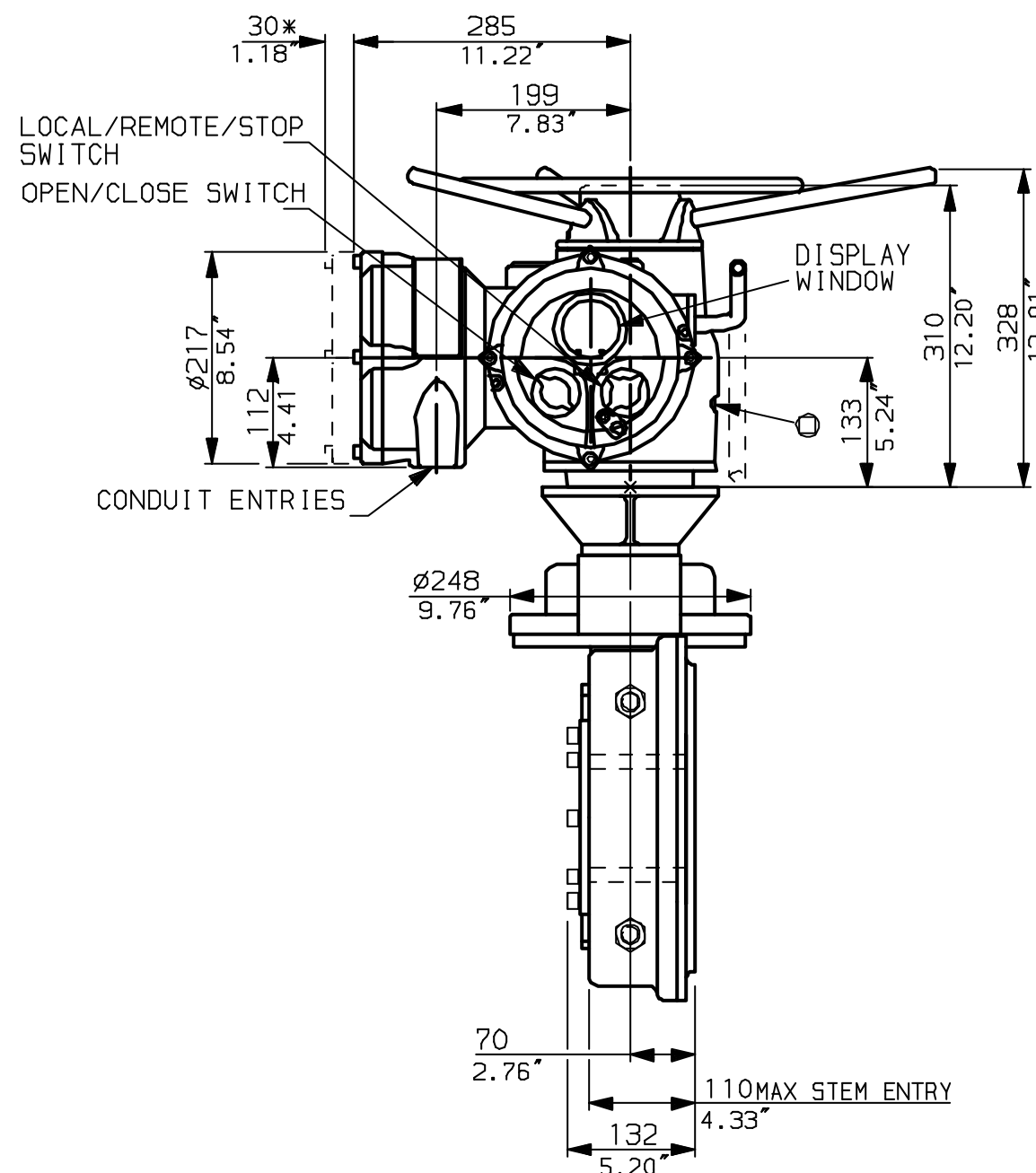
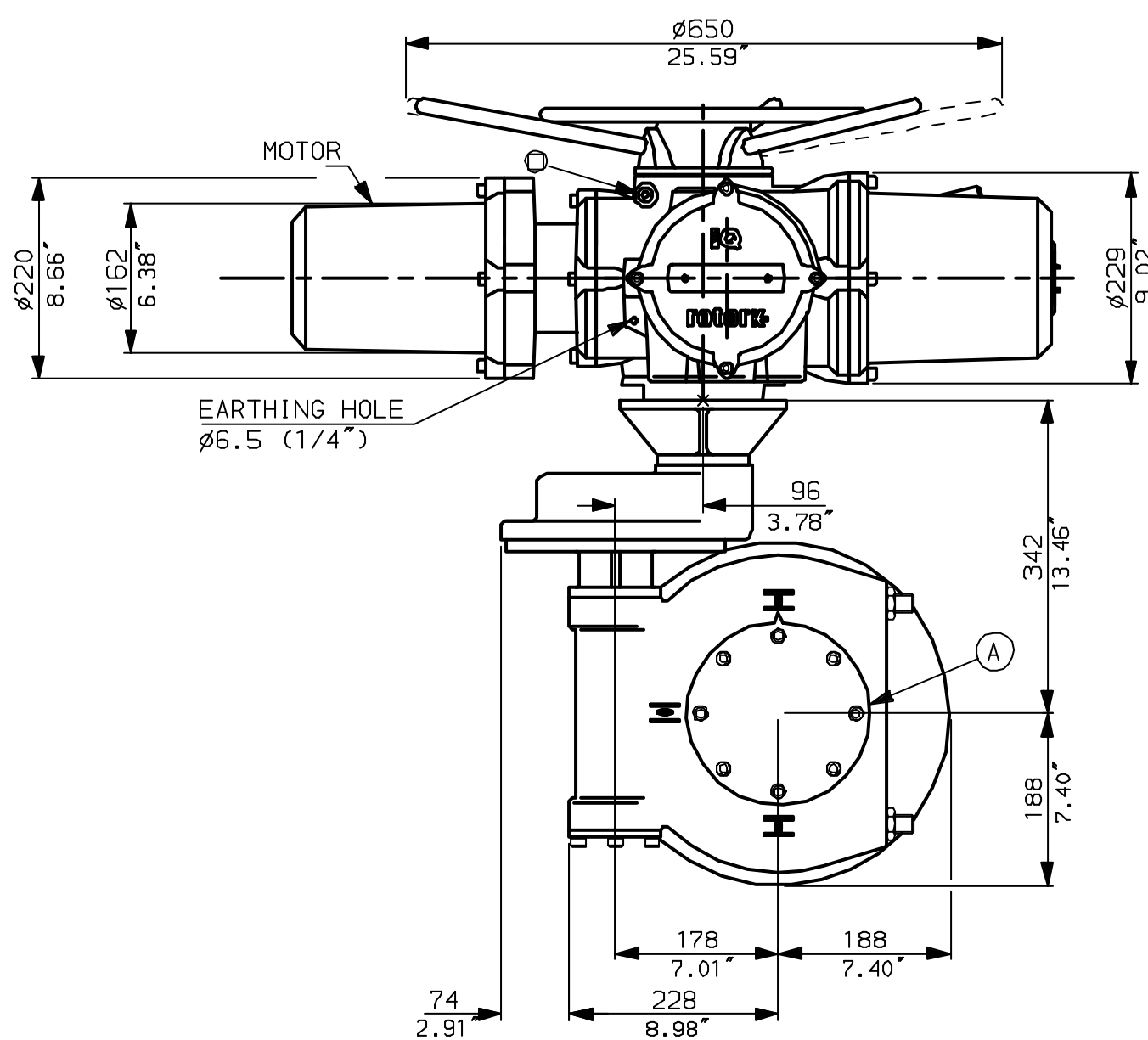


NOTES:
 * DIMENSIONS WITH '*' INDICATE COVER REMOVAL ALLOWANCE
 : NETT WEIGHT = 137kg (301 lbs)
 : \odot = OIL FILLER/DRAIN PLUG
 : THE INTERFACE PROVIDED FOR MOUNTING THE ACTUATOR OR SECOND STAGE GEARBOX ONTO THE VALVE SHOULD CONFORM TO GOOD ENGINEERING PRACTICES, ENSURING ADEQUATELY TOLERANCED LIMITS FOR PARALLELISM, PERPENDICULARITY AND CONCENTRICITY.

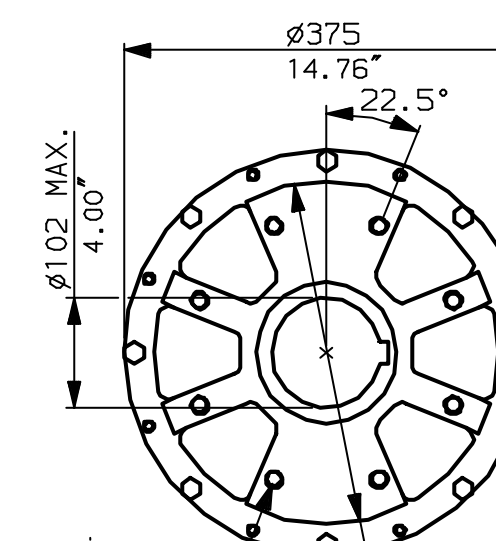
CONDUIT ENTRIES (N.T.S)



Nos.1 & 3 TAPPED 1" NPT
 No.2 TAPPED 1 1/2" NPT
 STD ALTERNATIVES IF SPECIFIED
 2 X M25, 1 X M40
 2 X PG16, 1 X PG29



N.B. KEYWAY POS. CAN BE MOVED 90 OR 180° BY REMOVING 8 SCREWS MARKED (A) AND ROTATING OUTPUT SLEEVE.



"F" version
 8 HOLES TAPPED M16 x 16 $\phi 318$ EQUI-SPACED AS SHOWN ON A 2.52" 254 PCD (150 5211-F25).
 "FA" version
 8 HOLES TAPPED 5/8" UNC x 0.63" dp EQUI-SPACED AS SHOWN ON A 10" PCD (M55 SP101-FA25).

NOTE:
 Gearbox is shown with HIGH Ratio Input Reducer. (ie Ratios 350,420)
 See Data Sheet with IW6RL for LOW ratio option.

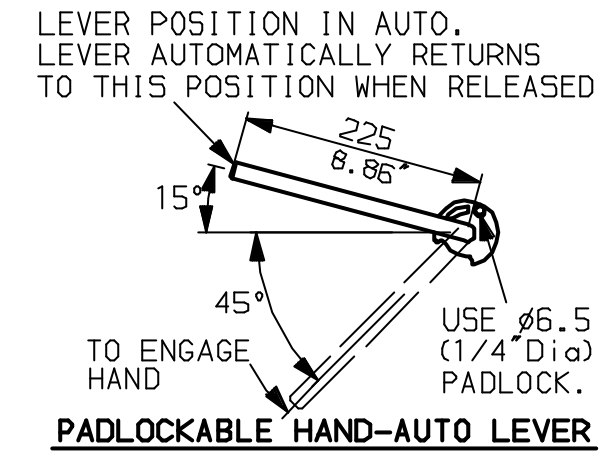
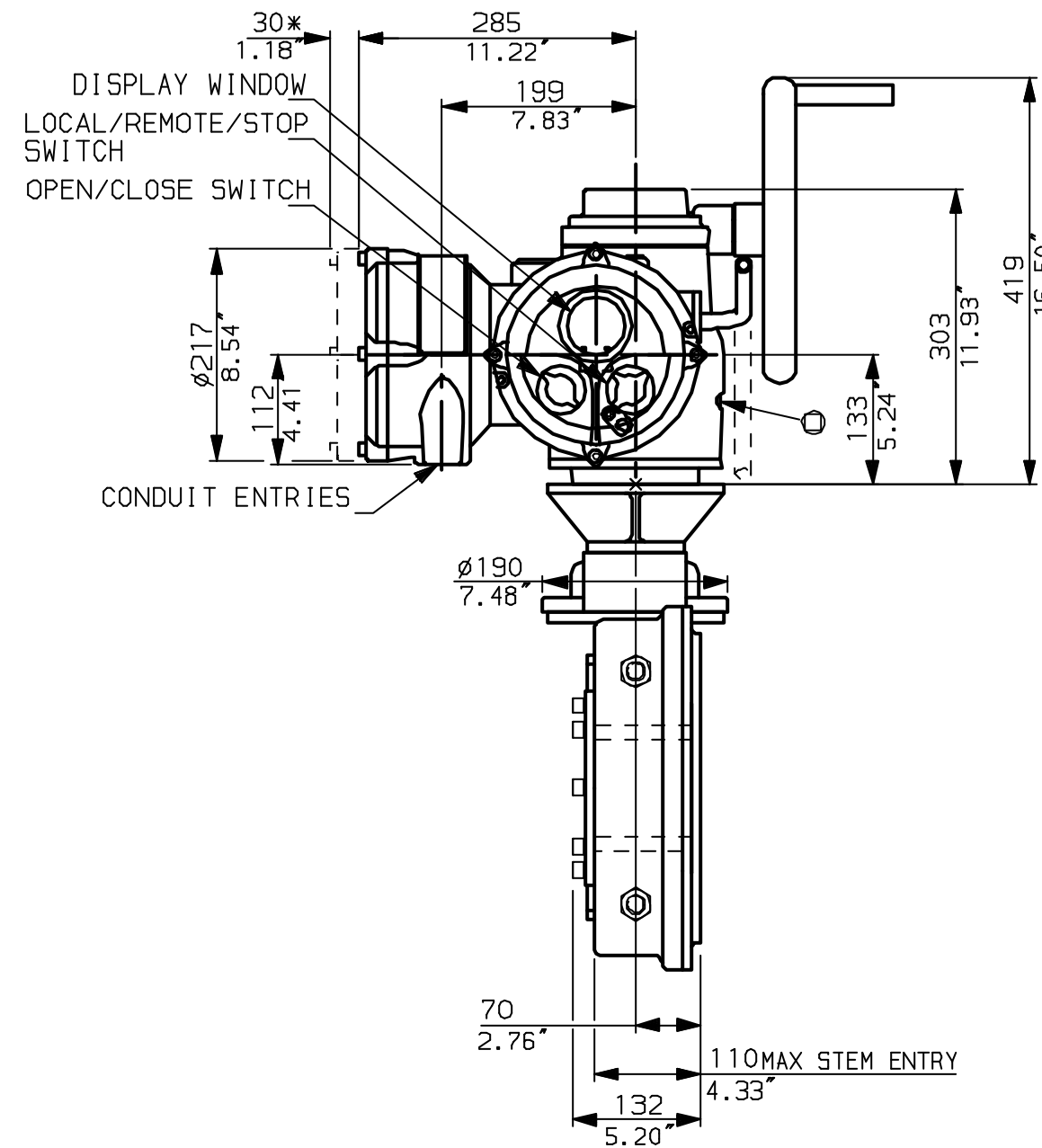
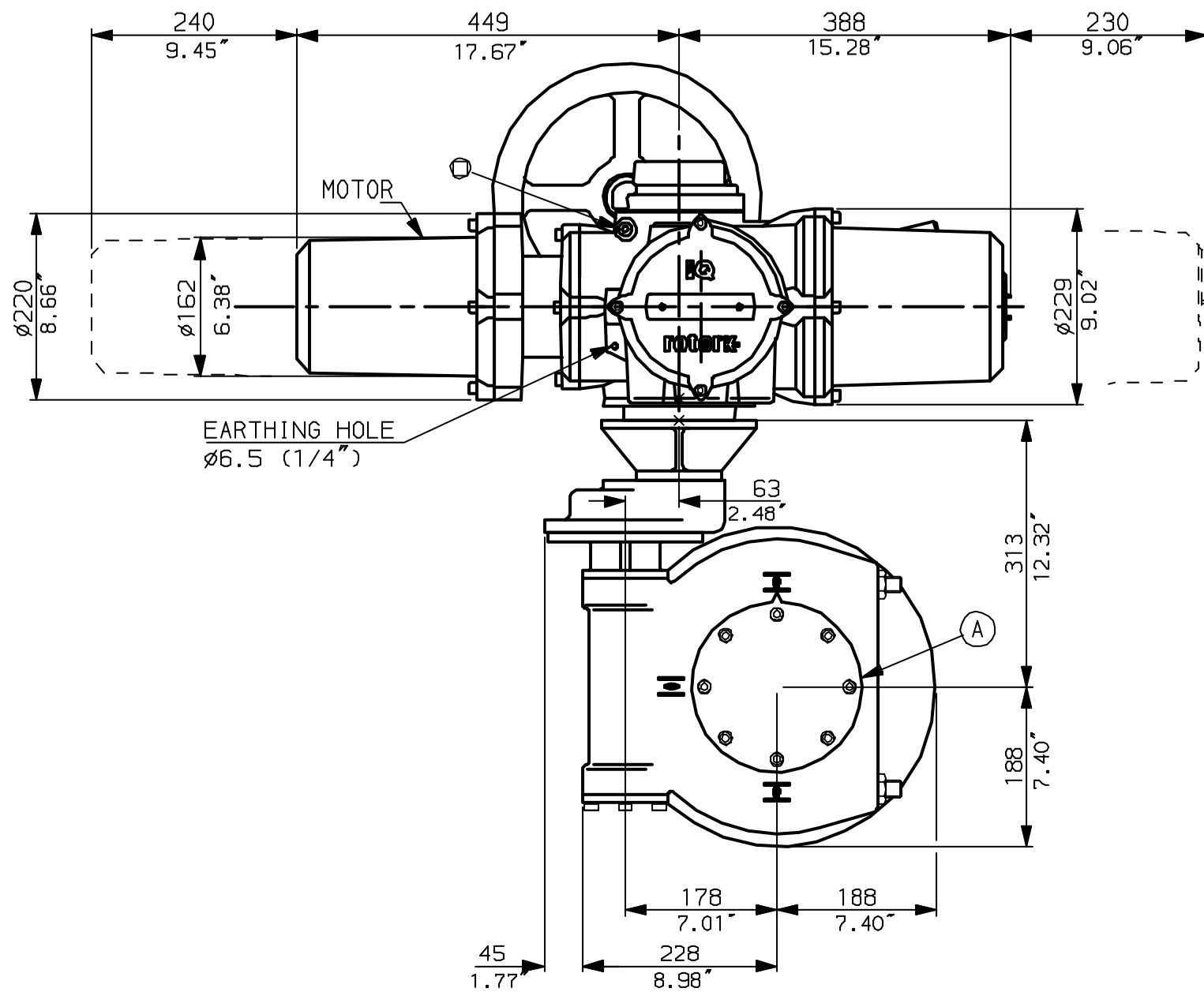
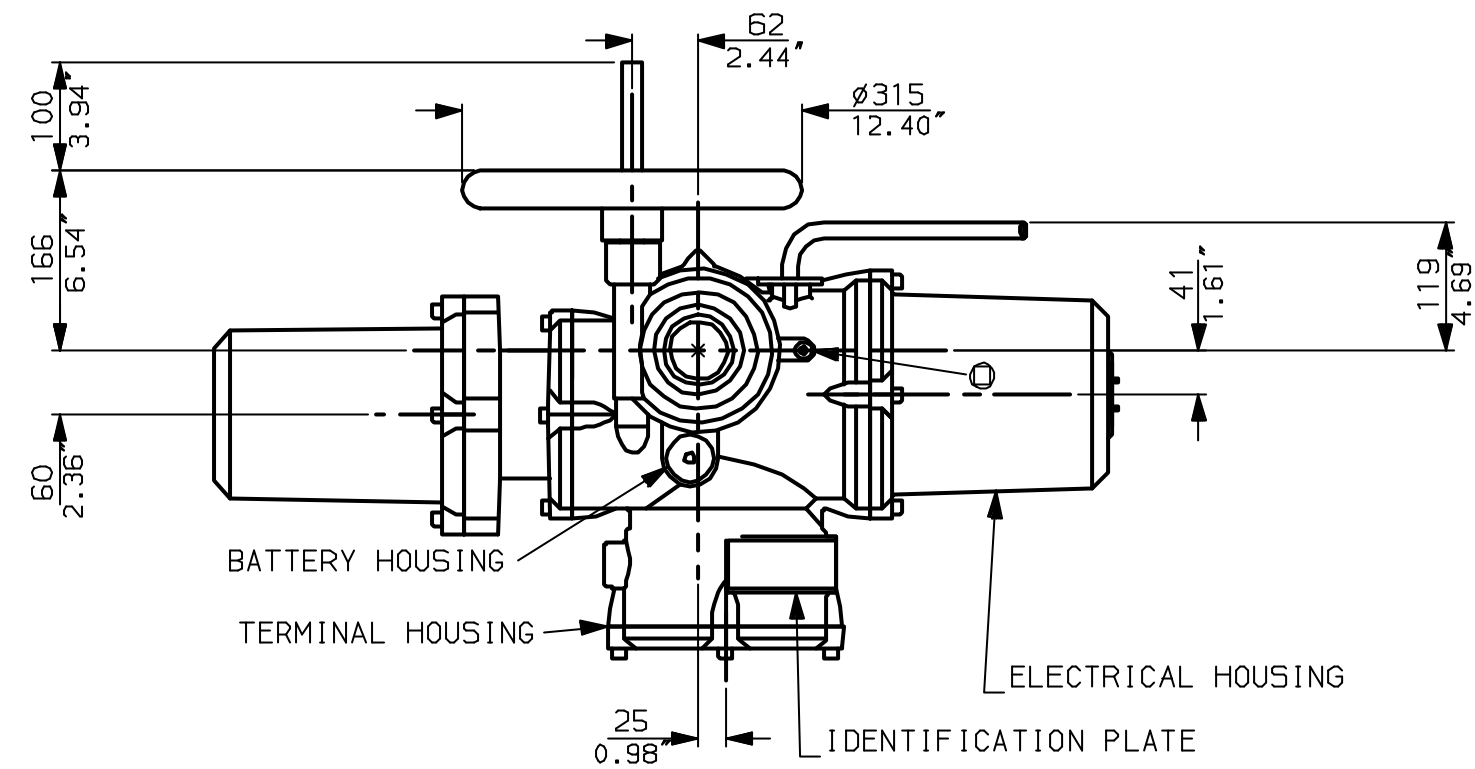
rotork
 www.rotork.com

Rotork Controls Ltd.
 Bath England, BA1 3JQ.
 (Phone 01225-733200)
 Rotork Controls Inc.
 Rochester, NY 14624
 (Phone 585-328-1550)

Title IQD20, THW, IW6 (+63) Rh,	
STANDARD DIMENSIONAL DATA	
Drawn CAD	Checked PRE Ref Data Sheet
Date April 04	Job No IQD20THW_IW6Rh

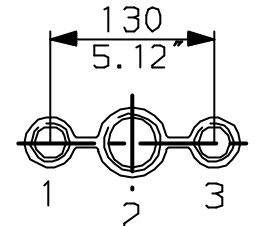
01	First Issue.
Scale 1:7	THIRD ANGLE PROJECTION
Drawing Number	IQD20THW_IW6Rh

G
F
E
D
C
B
A



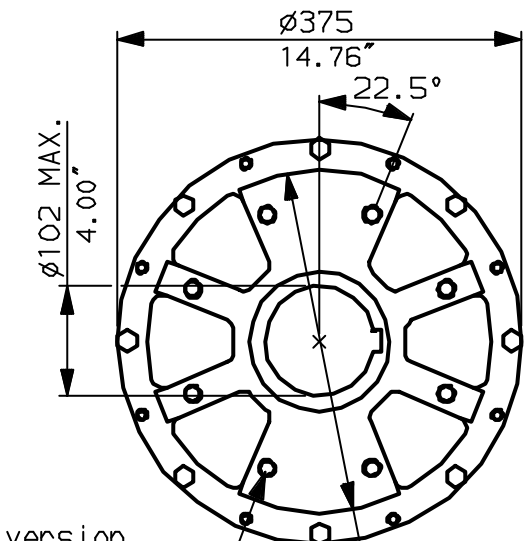
NOTES:
 * DIMENSIONS WITH '*' INDICATE COVER REMOVAL ALLOWANCE
 : NETT WEIGHT = 132kg (290lbs)
 : ϕ = OIL FILLER/DRAIN PLUG
 : THE INTERFACE PROVIDED FOR MOUNTING THE ACTUATOR OR SECOND STAGE GEARBOX ONTO THE VALVE SHOULD CONFORM TO GOOD ENGINEERING PRACTICES, ENSURING ADEQUATELY TOLERANCED LIMITS FOR PARALLELISM, PERPENDICULARITY AND CONCENTRICITY.

CONDUIT ENTRIES (N.T.S)



Nos.1 & 3 TAPPED 1" NPT
 No.2 TAPPED 1 1/2" NPT
 STD ALTERNATIVES IF SPECIFIED
 2 X M25, 1 X M40
 2 X PG16, 1 X PG29

N.B. KEYWAY POS. CAN BE MOVED 90 OR 180° BY REMOVING 8 SCREWS MARKED (A) AND ROTATING OUTPUT SLEEVE.



"F" version
 8 HOLES TAPPED M16 x 16 L $\phi 318$
 EQUI-SPACED AS SHOWN ON A2.52"
 254 PCD (150 5211-F25).

"FA" version
 8 HOLES TAPPED 5/8" UNC x 0.63" dp
 EQUI-SPACED AS SHOWN ON A
 10" PCD (MSS SP101-FA25).

rotork
 www.rotork.com

Rotork Controls Ltd.
 Bath England, BA1 3JQ.
 (Phone 01225-733200)
 Rotork Controls Inc.
 Rochester, NY 14624
 (Phone 585-328-1550)

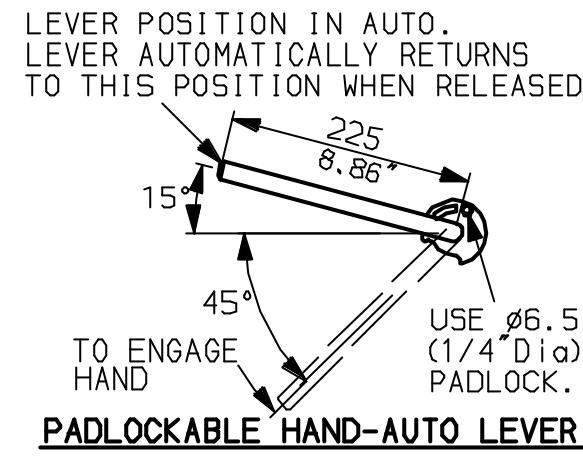
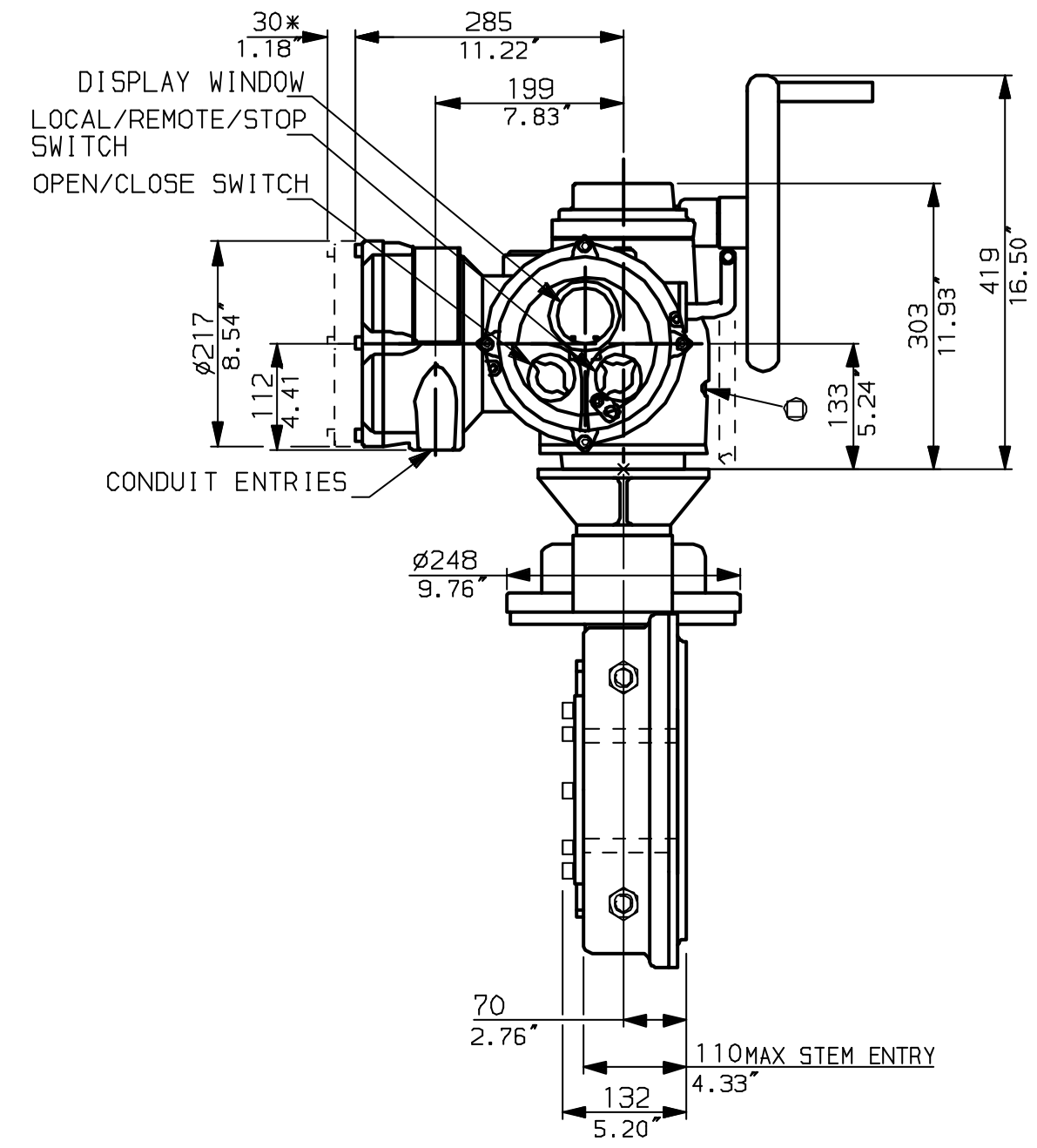
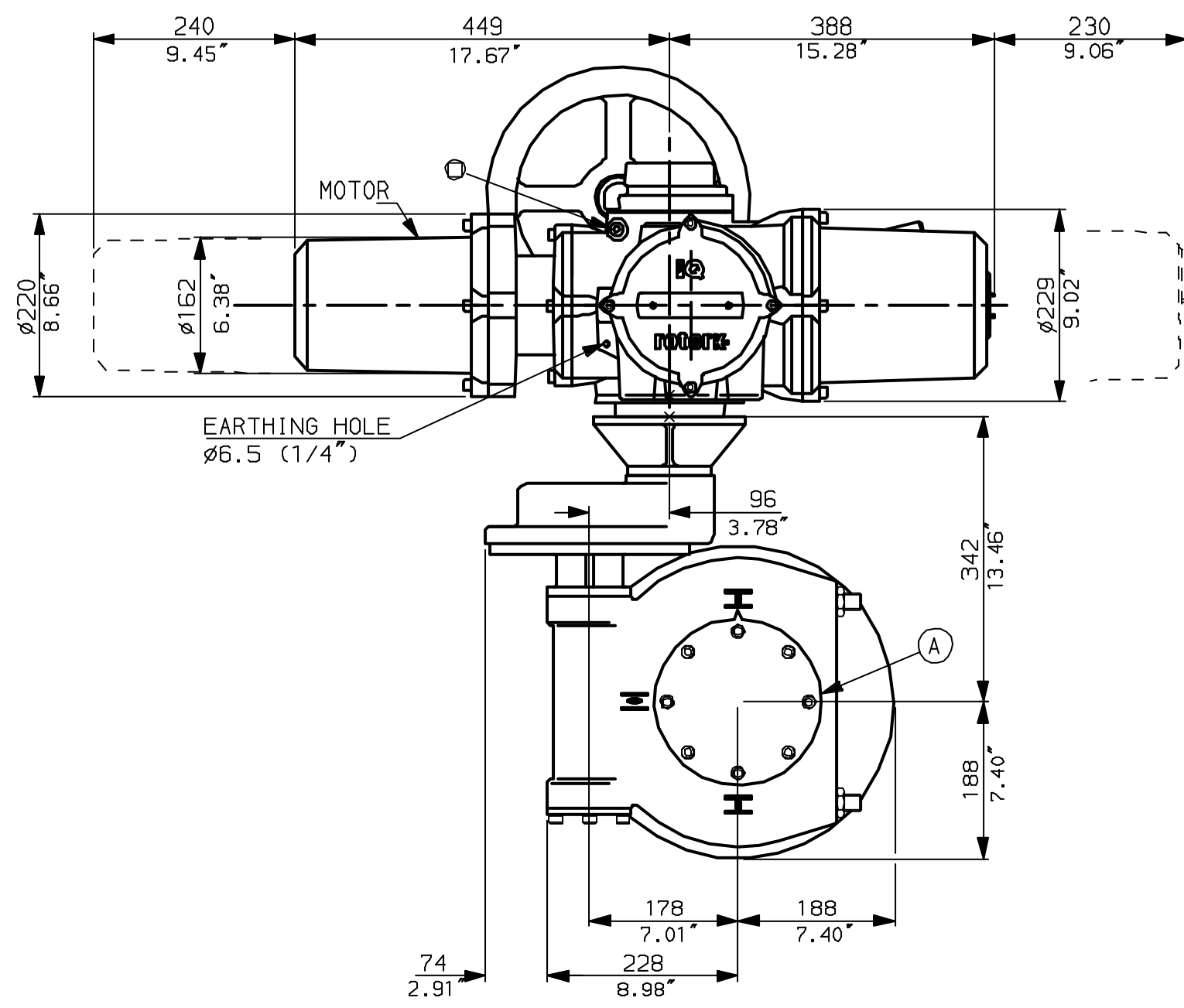
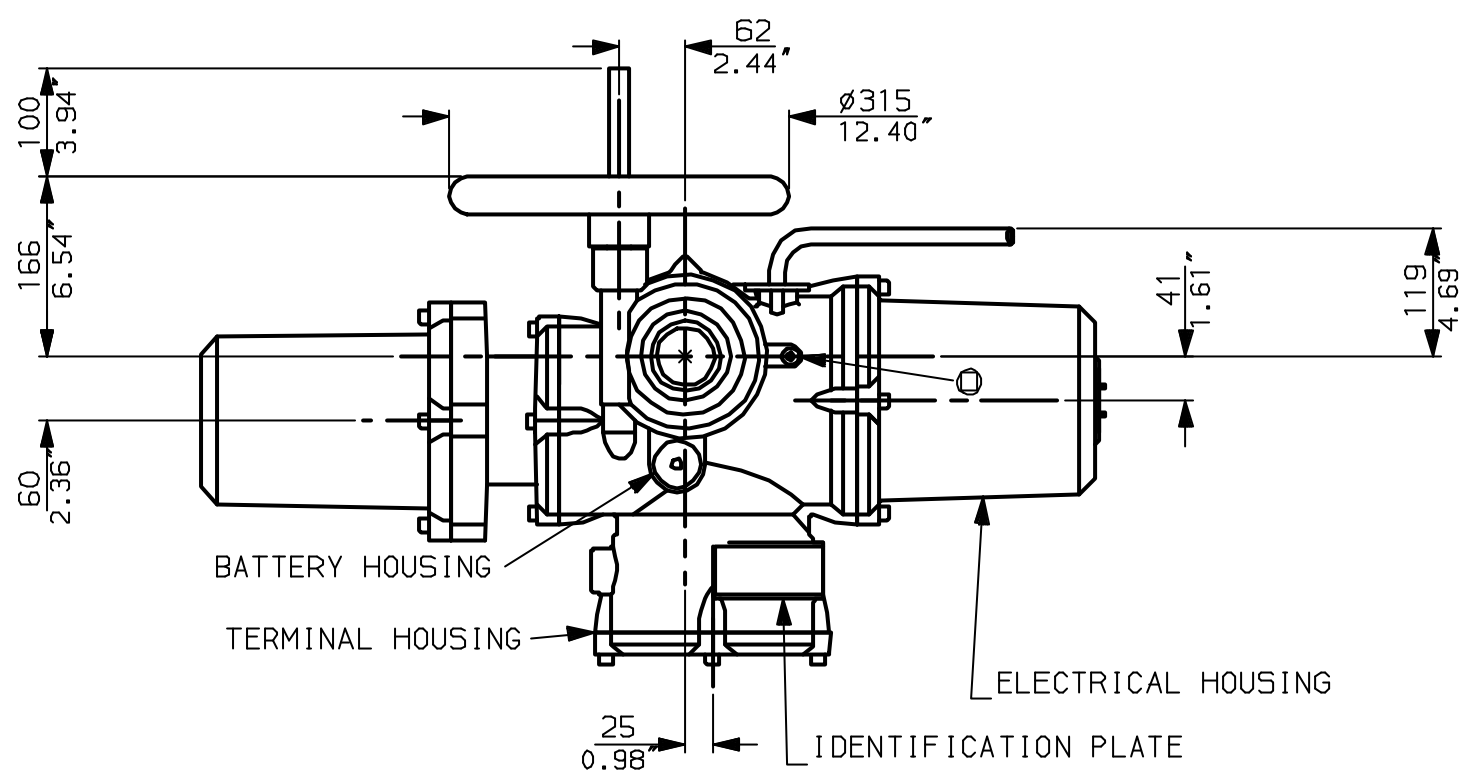
Title IQD20, SHW, IW6(+63)RL,		
STANDARD DIMENSIONAL DATA		
Drawn CAD	Checked PRE	Ref Data Sheet
Date April 04	Job No	IQD20SHW_IW6RL

NOTE:
 Gearbox is shown with LOW Ratio Input Reducer.
 (ie Ratios 140,210,280)
 See Data Sheet with IW6Rh for HIGH ratio option.

01	First Issue.
Scale	1:7 THIRD ANGLE PROJECTION
Drawing Number	IQD20SHW_IW6RL

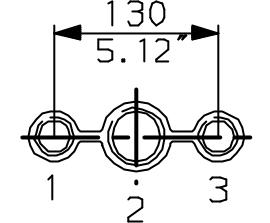
1 | 2 | 3 | 4 | 5 | 6 | 7 | 8 | 9 | 10

G
F
E
D
C
B
A



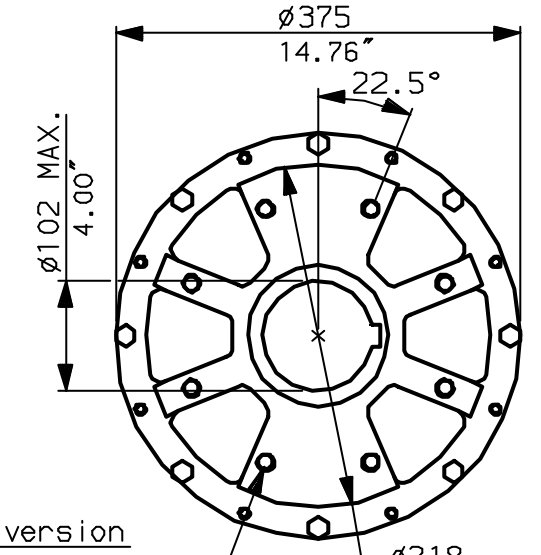
NOTES:
 * DIMENSIONS WITH '*' INDICATE COVER REMOVAL ALLOWANCE
 : NETT WEIGHT = 137kg (301 lbs)
 : ϕ = OIL FILLER/DRAIN PLUG
 : THE INTERFACE PROVIDED FOR MOUNTING THE ACTUATOR OR SECOND STAGE GEARBOX ONTO THE VALVE SHOULD CONFORM TO GOOD ENGINEERING PRACTICES, ENSURING ADEQUATELY TOLERANCED LIMITS FOR PARALLELISM, PERPENDICULARITY AND CONCENTRICITY.

CONDUIT ENTRIES (N.T.S)



Nos.1 & 3 TAPPED 1" NPT
 No.2 TAPPED 1 1/2" NPT
 STD ALTERNATIVES IF SPECIFIED
 2 X M25, 1 X M40
 2 X PG16, 1 X PG29

N.B. KEYWAY POS. CAN BE MOVED 90 OR 180° BY REMOVING 8 SCREWS MARKED (A) AND ROTATING OUTPUT SLEEVE.



"F" version
 8 HOLES TAPPED M16 x 16 $\phi 318$ EQUI-SPACED AS SHOWN ON A 254 PCD (ISO 5211-F25).

"FA" version
 8 HOLES TAPPED 5/8" UNC x 0.63" dp EQUI-SPACED AS SHOWN ON A 10" PCD (MSS SP101-FA25).



Rotork Controls Ltd.
 Bath England, BA1 3JQ.
 (Phone 01225-733200)

Rotork Controls Inc.
 Rochester, NY 14624
 (Phone 585-328-1550)

Title IQD20, SHW, IW6 (+63) Rh,	
STANDARD DIMENSIONAL DATA	
Drawn CAD	Checked PRE Ref Data Sheet
Date April 04	Job No IQD20SHW_IW6Rh

NOTE:
 Gearbox is shown with HIGH Ratio Input Reducer.
 (ie Ratios 350, 420)
 See Data Sheet with IW6RL for LOW ratio option.

01	First Issue.
Scale	1:7 THIRD ANGLE PROJECTION
Drawing Number	IQD20SHW_IW6Rh

1 | 2 | 3 | 4 | 5 | 6 | 7 | 8 | 9 | 10