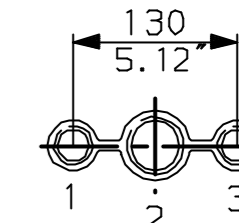
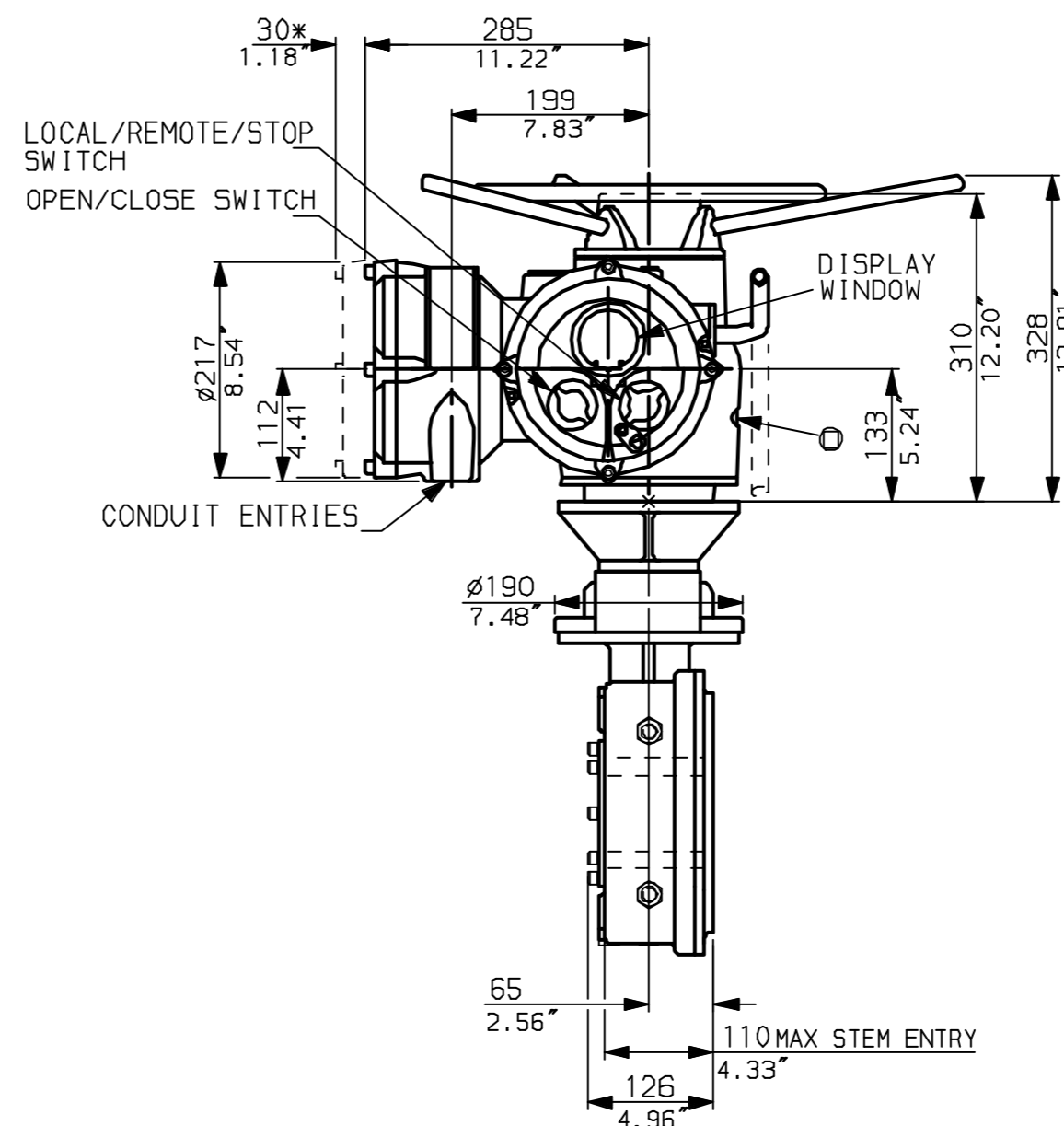
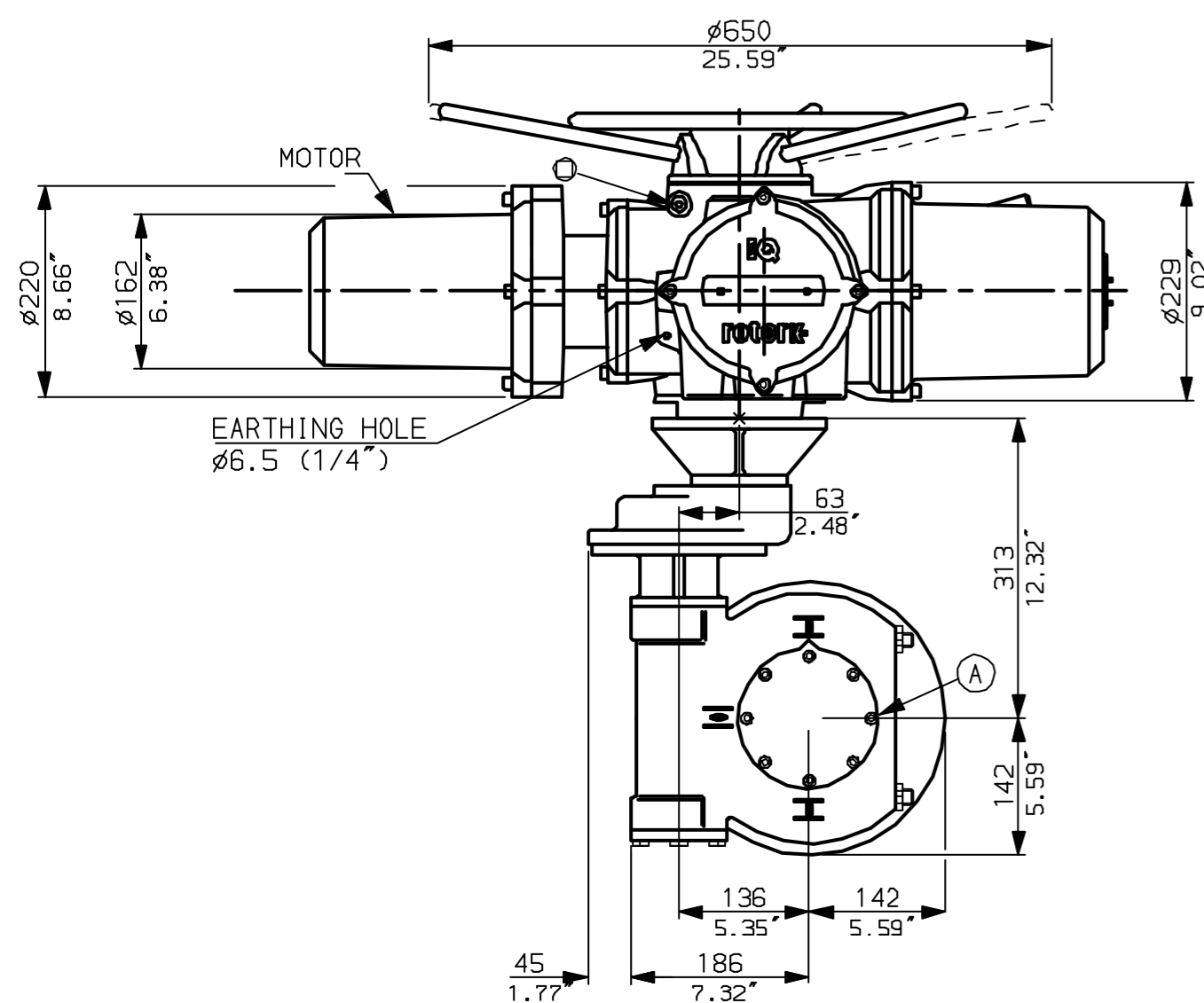


NOTES:
 * DIMENSIONS WITH '*' INDICATE COVER REMOVAL ALLOWANCE
 NETT WEIGHT = 106kg (233lbs)
 ○ = OIL FILLER/DRAIN PLUG
 THE INTERFACE PROVIDED FOR MOUNTING THE ACTUATOR OR SECOND STAGE GEARBOX ONTO THE VALVE SHOULD CONFORM TO GOOD ENGINEERING PRACTICES, ENSURING ADEQUATELY TOLERANCED LIMITS FOR PARALLELISM, PERPENDICULARITY AND CONCENTRICITY.

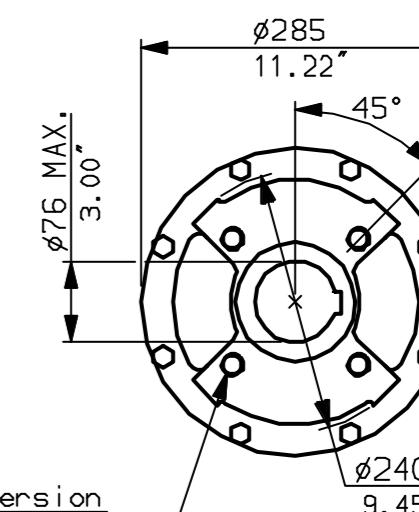
CONDUIT ENTRIES (N.T.S)



Nos.1 & 3 TAPPED 1" NPT
 No.2 TAPPED 1 1/2" NPT
 STD ALTERNATIVES IF SPECIFIED
 2 X M25, 1 X M40
 2 X PG16, 1 X PG29



N.B. KEYWAY POS. CAN BE MOVED 45° STEPS BY REMOVING 8 SCREWS MARKED (A) AND ROTATING OUTPUT SLEEVE.



"F" version
 4 HOLES TAPPED M20 x 16 DP EQUI-SPACED AS SHOWN ON A 165 PCD (150 5211-F16).

"FA" version
 4 HOLES TAPPED 3/4" UNC x 0.63" dp EQUI-SPACED AS SHOWN ON A 6.5" PCD (MSS SP101-FA16).

rotork
 www.rotork.com

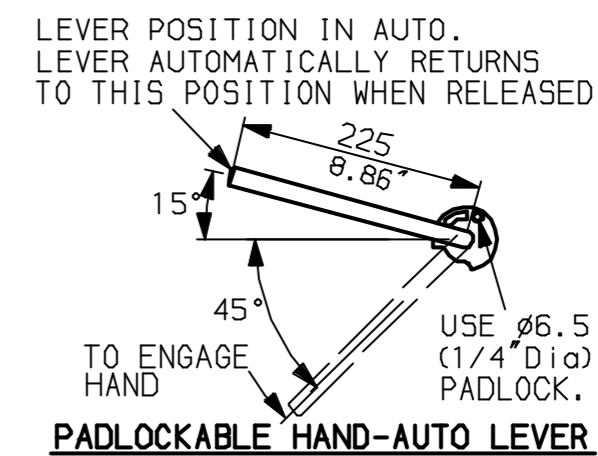
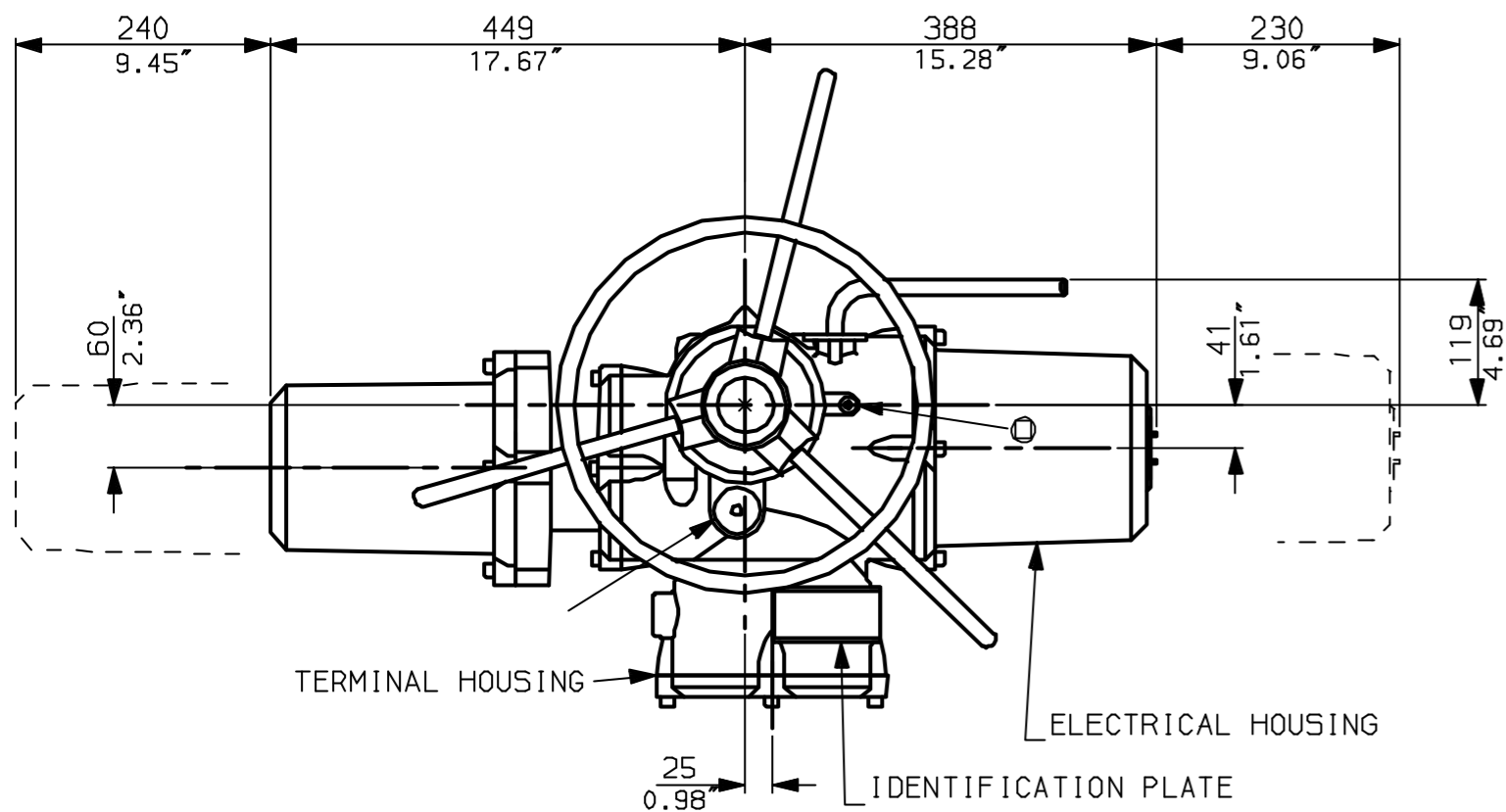
Rotork Controls Ltd.
 Bath England, BA1 3JQ.
 (Phone 01225-733200)

Rotork Controls Inc.
 Rochester, NY 14624
 (Phone 585-328-1550)

Title IQD20, THW, IW5(+52)RL,	
STANDARD DIMENSIONAL DATA	
Drawn CAD	Checked PRE Ref Data Sheet
Date April 04	Job No IQD20THW_IWSRL

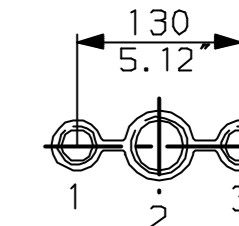
NOTE:
 Gearbox is shown with LOW Ratio Input Reducer.
 (ie Ratios 80, 120, 140, 160, 210, 280)
 See Data Sheet with IW5Rh for HIGH ratio option.

01	First Issue.
Scale 1:7	THIRD ANGLE PROJECTION
Drawing Number	IQD20THW_IWSRL

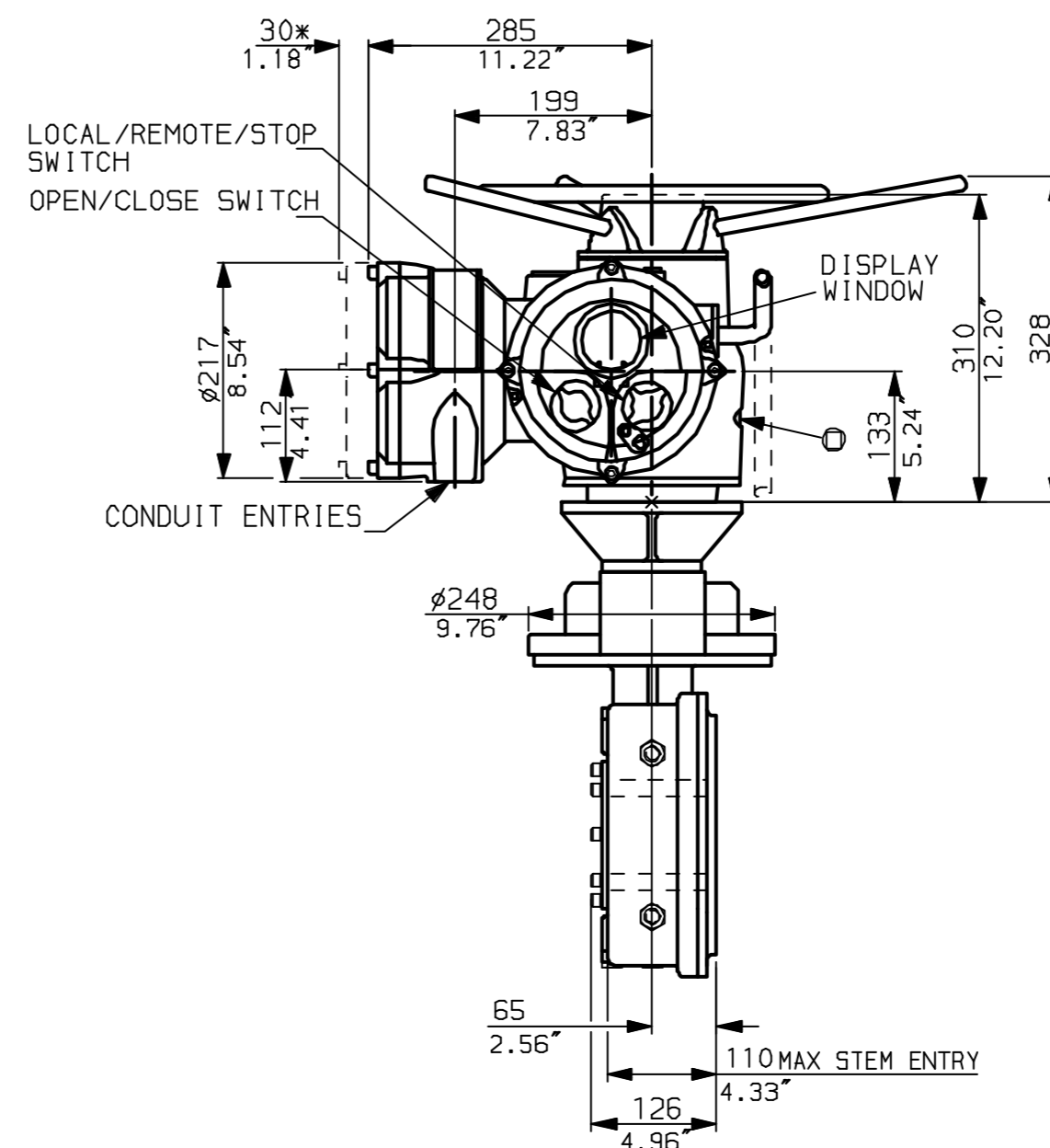
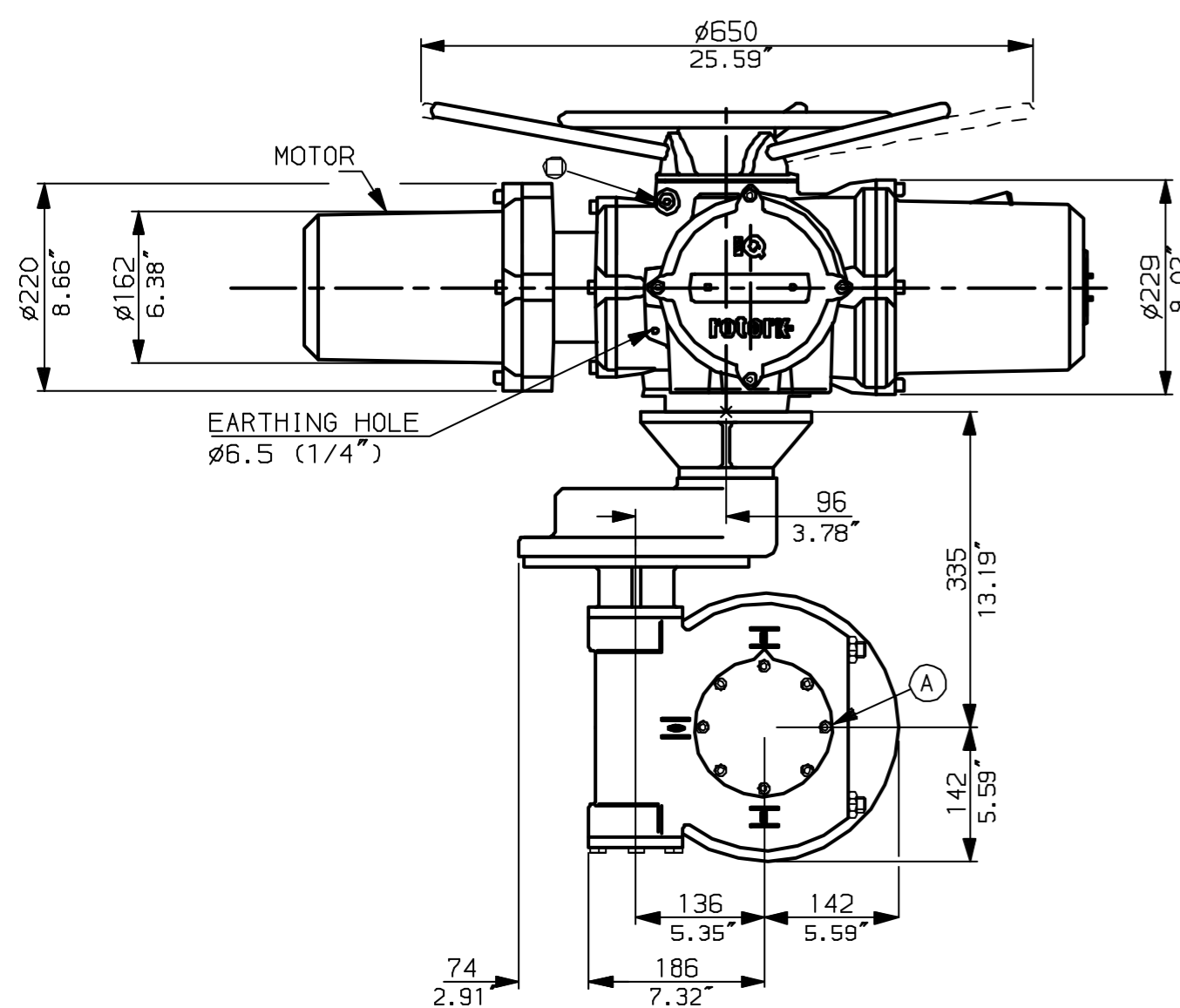


NOTES:
 * DIMENSIONS WITH '*' INDICATE COVER REMOVAL ALLOWANCE
 : NETT WEIGHT = 111kg (244lbs)
 : = OIL FILLER/DRAIN PLUG
 : THE INTERFACE PROVIDED FOR MOUNTING THE ACTUATOR OR SECOND STAGE GEARBOX ONTO THE VALVE SHOULD CONFORM TO GOOD ENGINEERING PRACTICES, ENSURING ADEQUATELY TOLERANCED LIMITS FOR PARALLELISM, PERPENDICULARITY AND CONCENTRICITY.

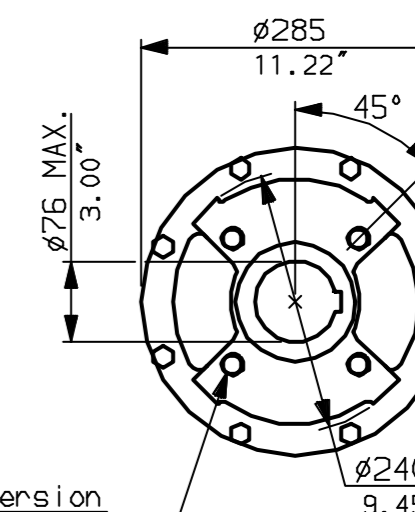
CONDUIT ENTRIES (N.T.S)



Nos.1 & 3 TAPPED 1" NPT
 No.2 TAPPED 1 1/2" NPT
 STD ALTERNATIVES IF SPECIFIED
 2 X M25, 1 X M40
 2 X PG16, 1 X PG29



N.B. KEYWAY POS. CAN BE MOVED 45° STEPS BY REMOVING 8 SCREWS MARKED (A) AND ROTATING OUTPUT SLEEVE.



"F" version
 4 HOLES TAPPED M20 x 16 DP
 EQUI-SPACED AS SHOWN ON A
 165 PCD (ISO 5211-F16).
 "FA" version
 4 HOLES TAPPED 3/4" UNC x 0.63" dp
 EQUI-SPACED AS SHOWN ON A
 6.5" PCD (MSS SP101-FA16).

rotork
 www.rotork.com

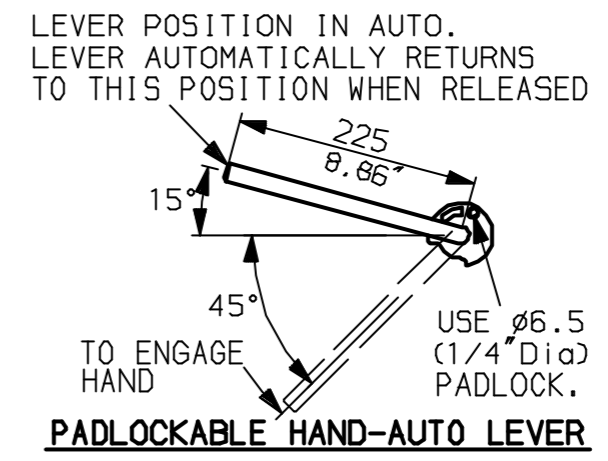
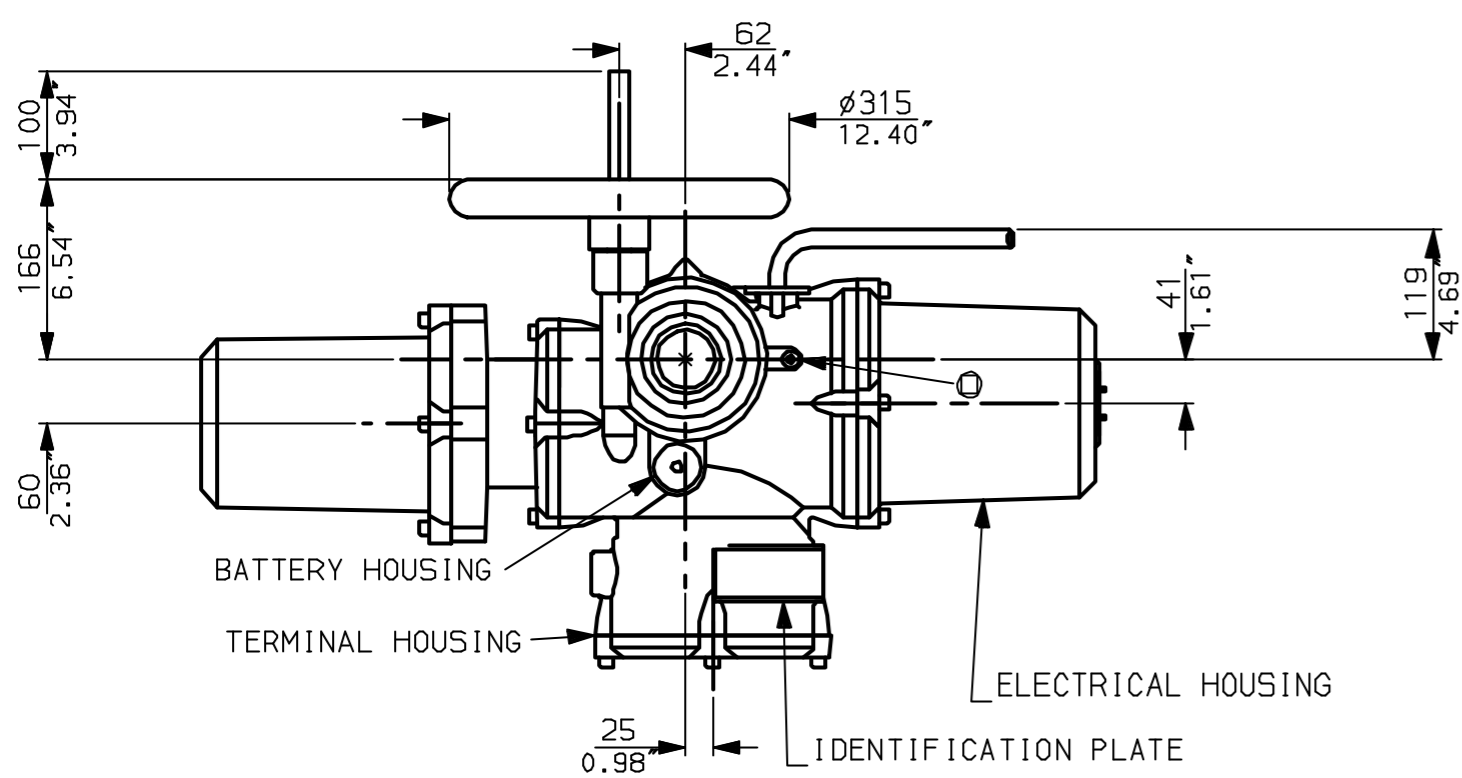
Rotork Controls Ltd.
 Bath England, BA1 3JQ.
 (Phone 01225-733200)
 Rotork Controls Inc.
 Rochester, NY 14624
 (Phone 585-328-1550)

Title IQD20, THW, IW5 (+52) Rh,	
STANDARD DIMENSIONAL DATA	
Drawn CAD	Checked PRE Ref Data Sheet
Date April 04	Job No IQD20THW_IW5Rh

NOTE:
 Gearbox is shown with HIGH Ratio Input Reducer.
 (ie Ratios 200, 240, 350, 420)
 See Data Sheet with IW5RL for LOW ratio option.

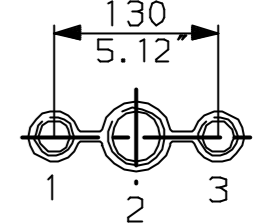
01	First Issue.
Scale	1:7 THIRD ANGLE PROJECTION
Drawing Number	IQD20THW_IW5Rh

G
F
E
D
C
B
A

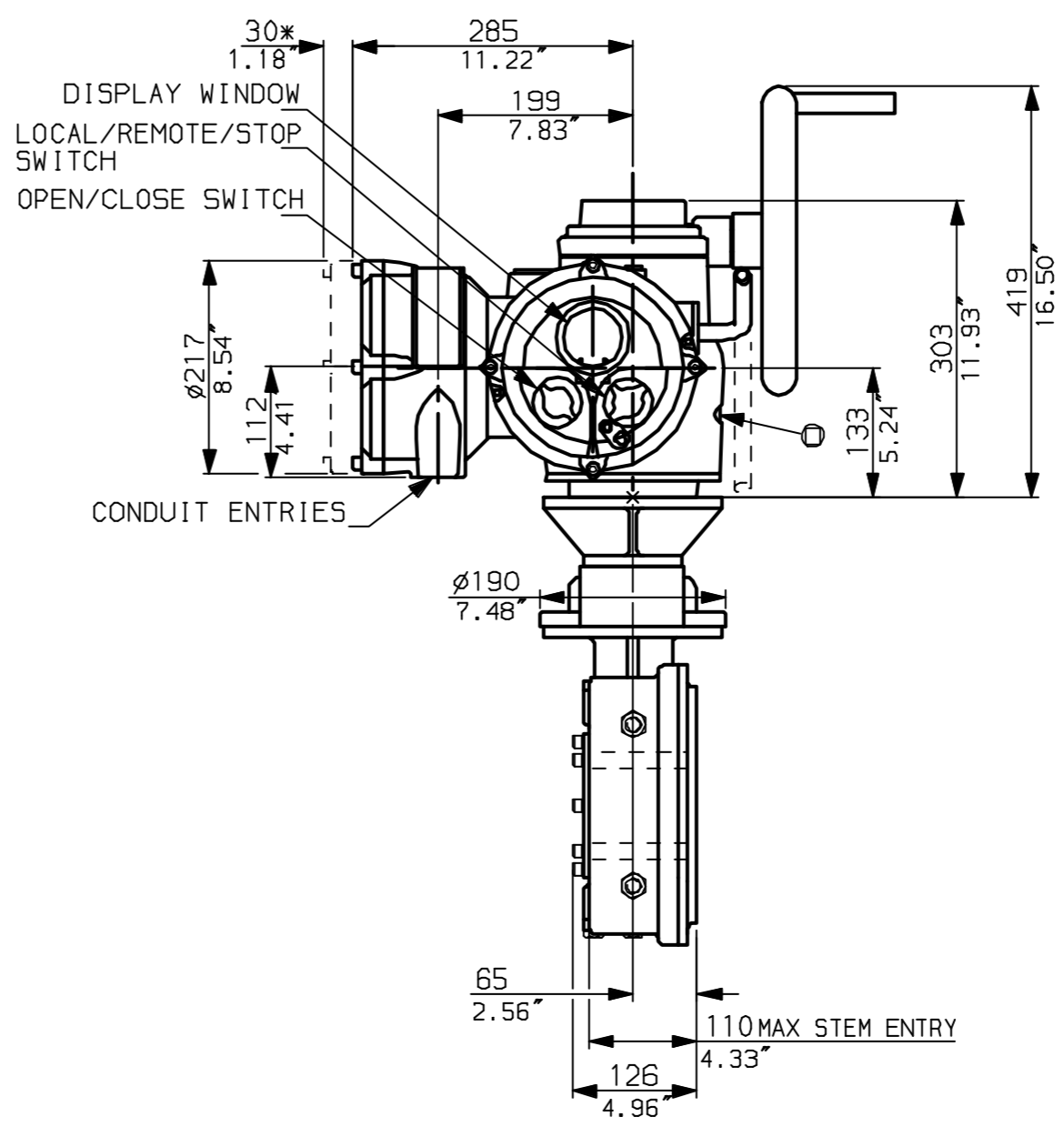
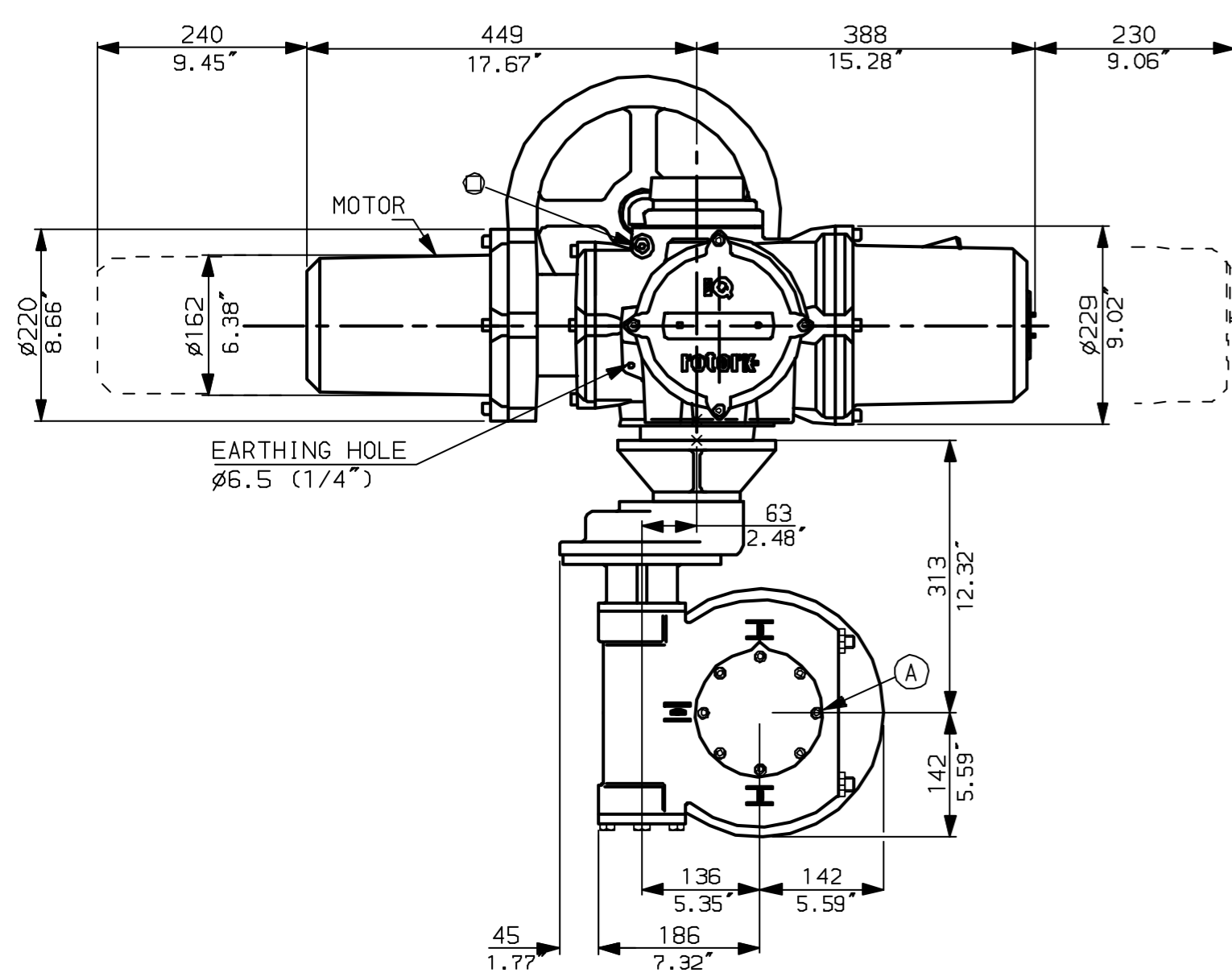


NOTES:
DIMENSIONS WITH '*' INDICATE COVER REMOVAL ALLOWANCE
NETT WEIGHT = 106kg (233lbs)
OIL FILLER/DRAIN PLUG
THE INTERFACE PROVIDED FOR MOUNTING THE ACTUATOR OR SECOND STAGE GEARBOX ONTO THE VALVE SHOULD CONFORM TO GOOD ENGINEERING PRACTICES, ENSURING ADEQUATELY TOLERANCED LIMITS FOR PARALLELISM, PERPENDICULARITY AND CONCENTRICITY.

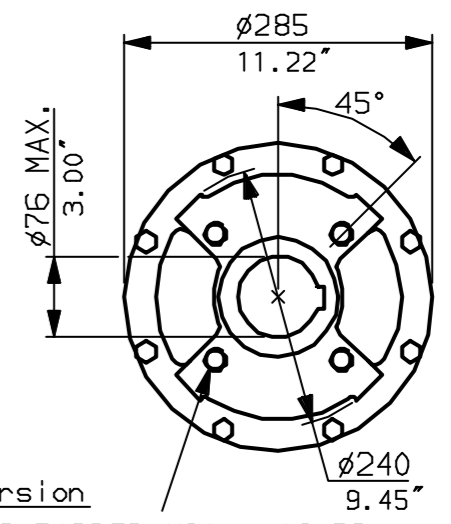
CONDUIT ENTRIES (N.T.S)



Nos.1 & 3 TAPPED 1" NPT
No.2 TAPPED 1 1/2" NPT
STD ALTERNATIVES IF SPECIFIED
2 X M25, 1 X M40
2 X PG16, 1 X PG29



N.B. KEYWAY POS. CAN BE MOVED 45° STEPS BY REMOVING 8 SCREWS MARKED (A) AND ROTATING OUTPUT SLEEVE.



"F" version
4 HOLES TAPPED M20 x 16 DP
EQUI-SPACED AS SHOWN ON A 165 PCD (ISO 5211-F16).

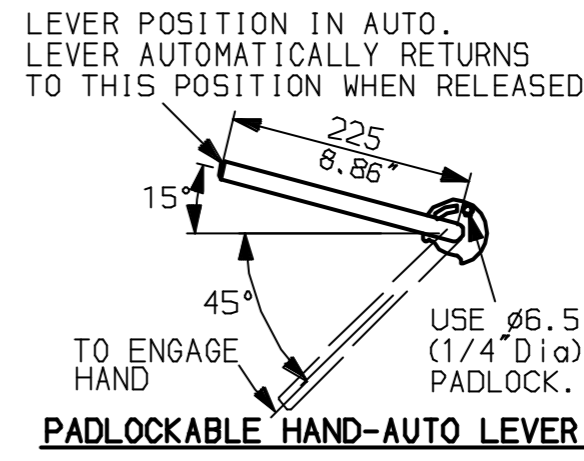
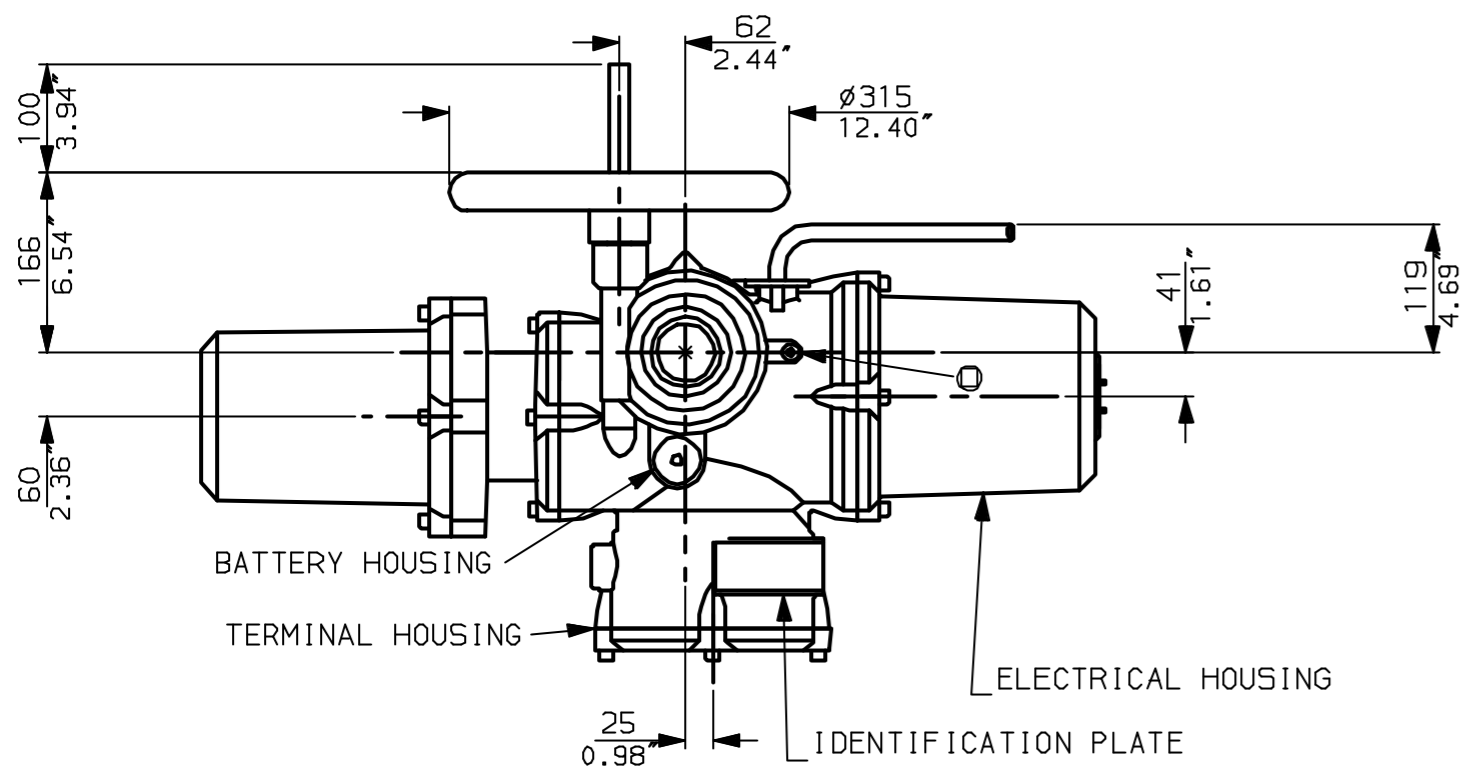
"FA" version
4 HOLES TAPPED 3/4" UNC x 0.63" dp
EQUI-SPACED AS SHOWN ON A 6.5" PCD (M55 5P101-FA16).

<p>www.rotork.com</p>	Rotork Controls Ltd. Bath England, BA1 3JQ. (Phone 01225-733200)	Title IQD20, SHW, IW5(+52) RL, STANDARD DIMENSIONAL DATA
	Rotork Controls Inc. Rochester, NY 14624 (Phone 585-328-1550)	Drawn CAD Checked PRE Ref Data Sheet
	Date April 04 Job No IQD20SHW_IWSRL	NOTE: Gearbox is shown with LOW Ratio Input Reducer. (ie Ratios 80, 120, 140, 160, 210, 280) See Data Sheet with IW5Rh for HIGH ratio option.

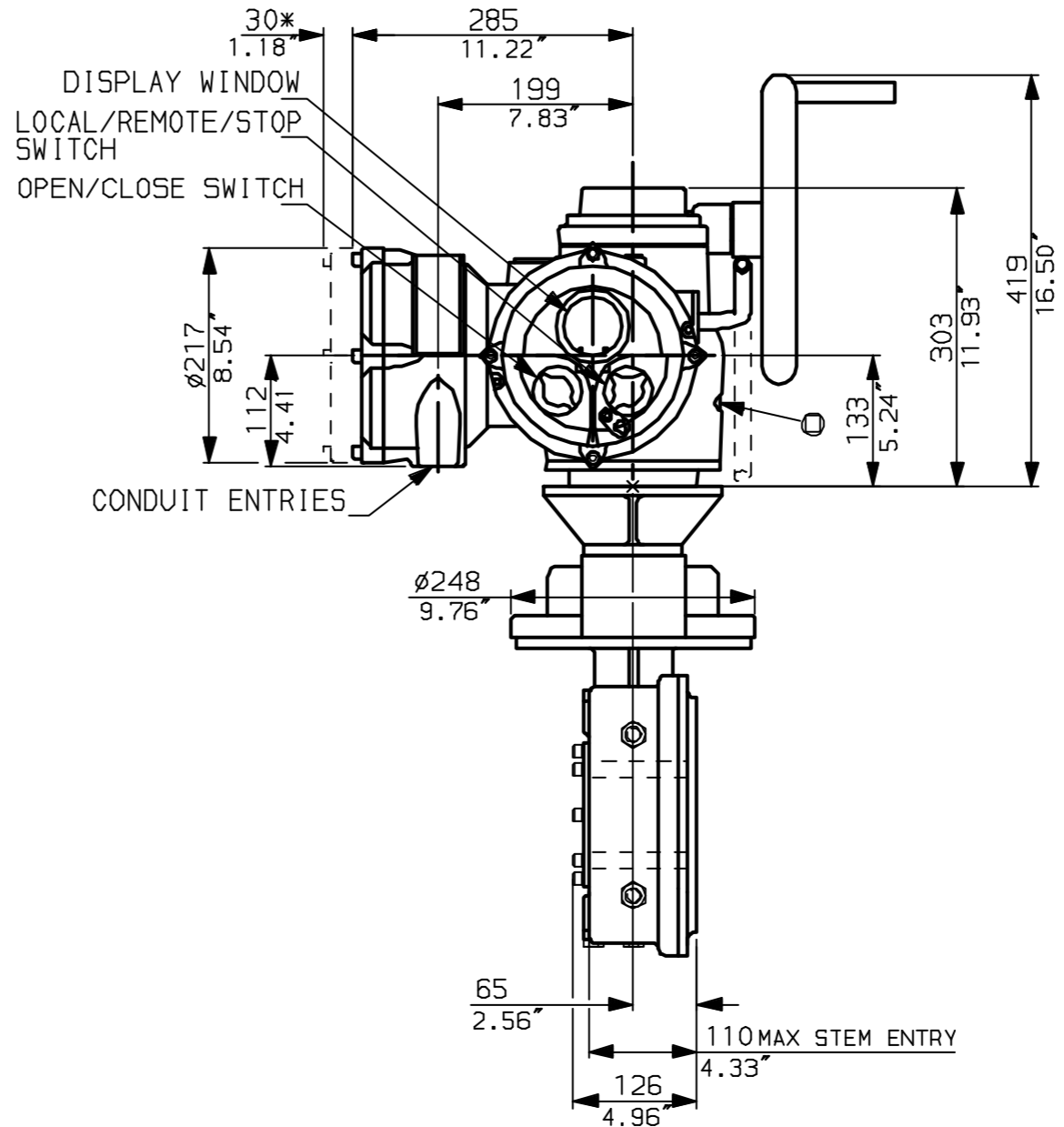
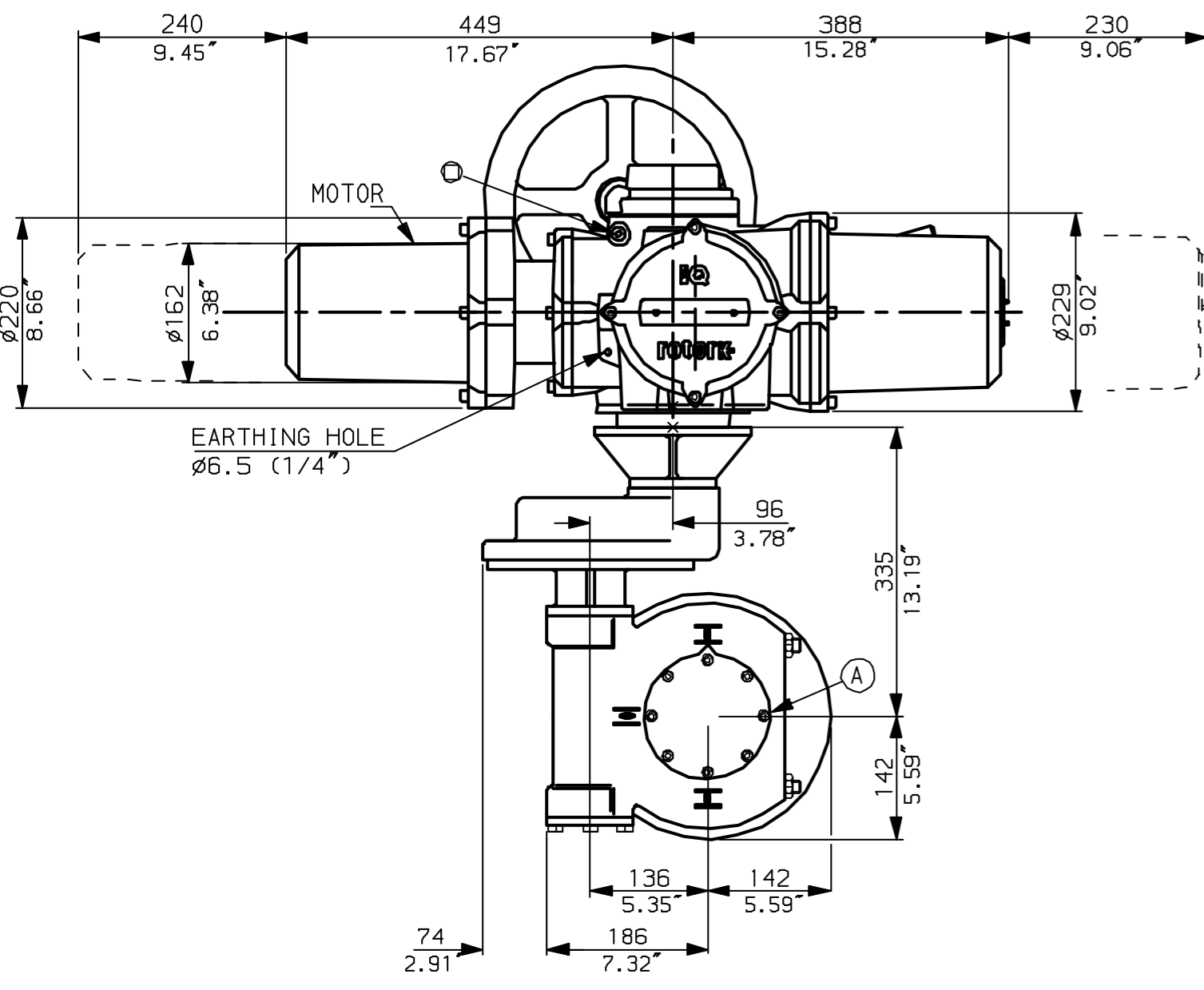
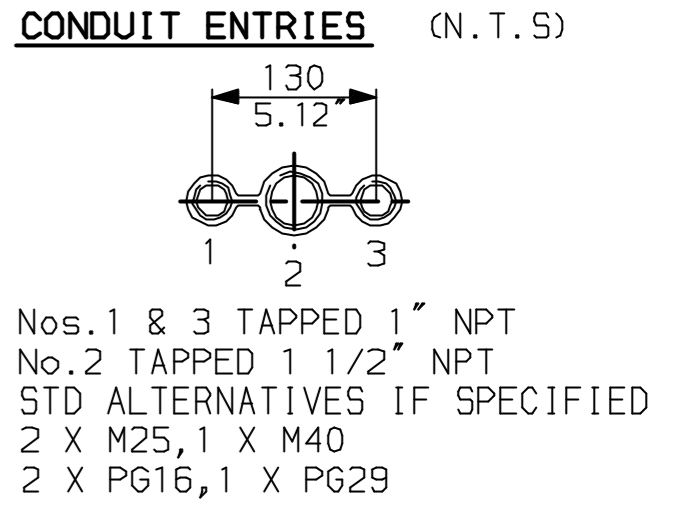
01	First Issue.
Scale	1:7 THIRD ANGLE PROJECTION
Drawing Number	IQD20SHW_IWSRL

1 | 2 | 3 | 4 | 5 | 6 | 7 | 8 | 9 | 10

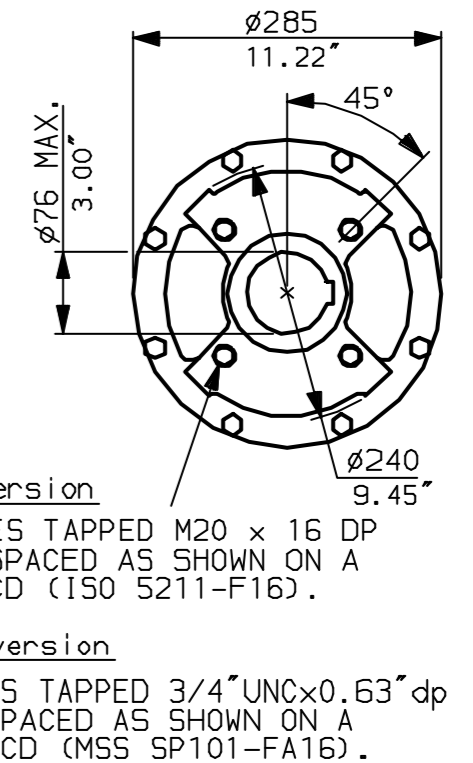
G
F
E
D
C
B
A



NOTES:
DIMENSIONS WITH '*' INDICATE COVER REMOVAL ALLOWANCE
NETT WEIGHT = 111kg (244lbs)
= OIL FILLER/DRAIN PLUG
THE INTERFACE PROVIDED FOR MOUNTING THE ACTUATOR OR SECOND STAGE GEARBOX ONTO THE VALVE SHOULD CONFORM TO GOOD ENGINEERING PRACTICES, ENSURING ADEQUATELY TOLERANCED LIMITS FOR PARALLELISM, PERPENDICULARITY AND CONCENTRICITY.



N.B. KEYWAY POS. CAN BE MOVED 45° STEPS BY REMOVING 8 SCREWS MARKED (A) AND ROTATING OUTPUT SLEEVE.



Rotork Controls Ltd.
Bath England, BA1 3JQ.
(Phone 01225-733200)

Rotork Controls Inc.
Rochester, NY 14624
(Phone 585-328-1550)

Title IQD20, SHW, IW5 (+52) Rh,
STANDARD DIMENSIONAL DATA

Drawn CAD Checked PRE Ref Data Sheet

Date April 04 Job No IQD20SHW_IW5Rh

NOTE:
Gearbox is shown with HIGH Ratio Input Reducer.
(ie Ratios 200, 240, 350, 420)
See Data Sheet with IW5RL for LOW ratio option.

01	First Issue.
Scale	1:7 THIRD ANGLE PROJECTION
Drawing Number	IQD20SHW_IW5Rh

1 | 2 | 3 | 4 | 5 | 6 | 7 | 8 | 9 | 10