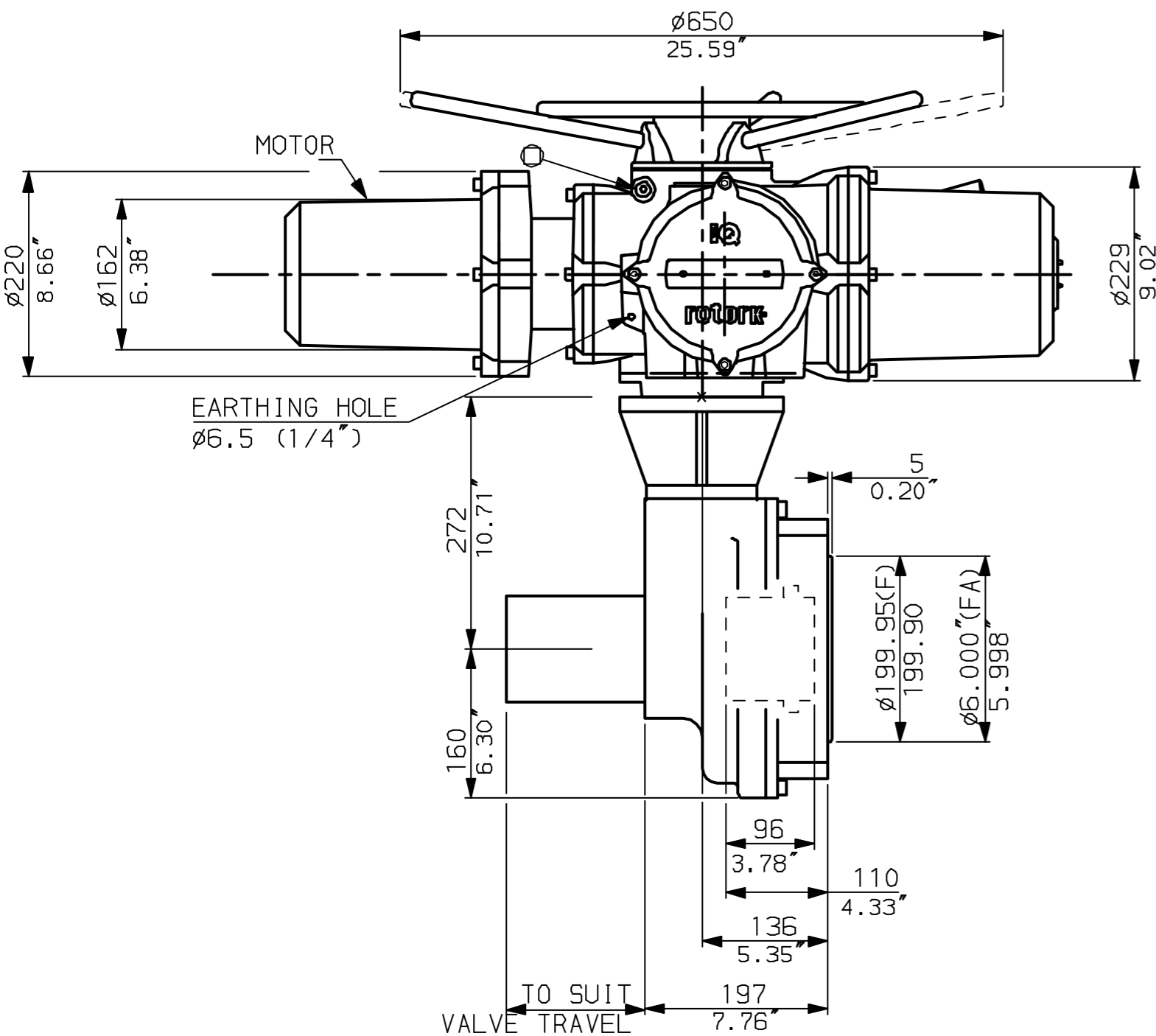
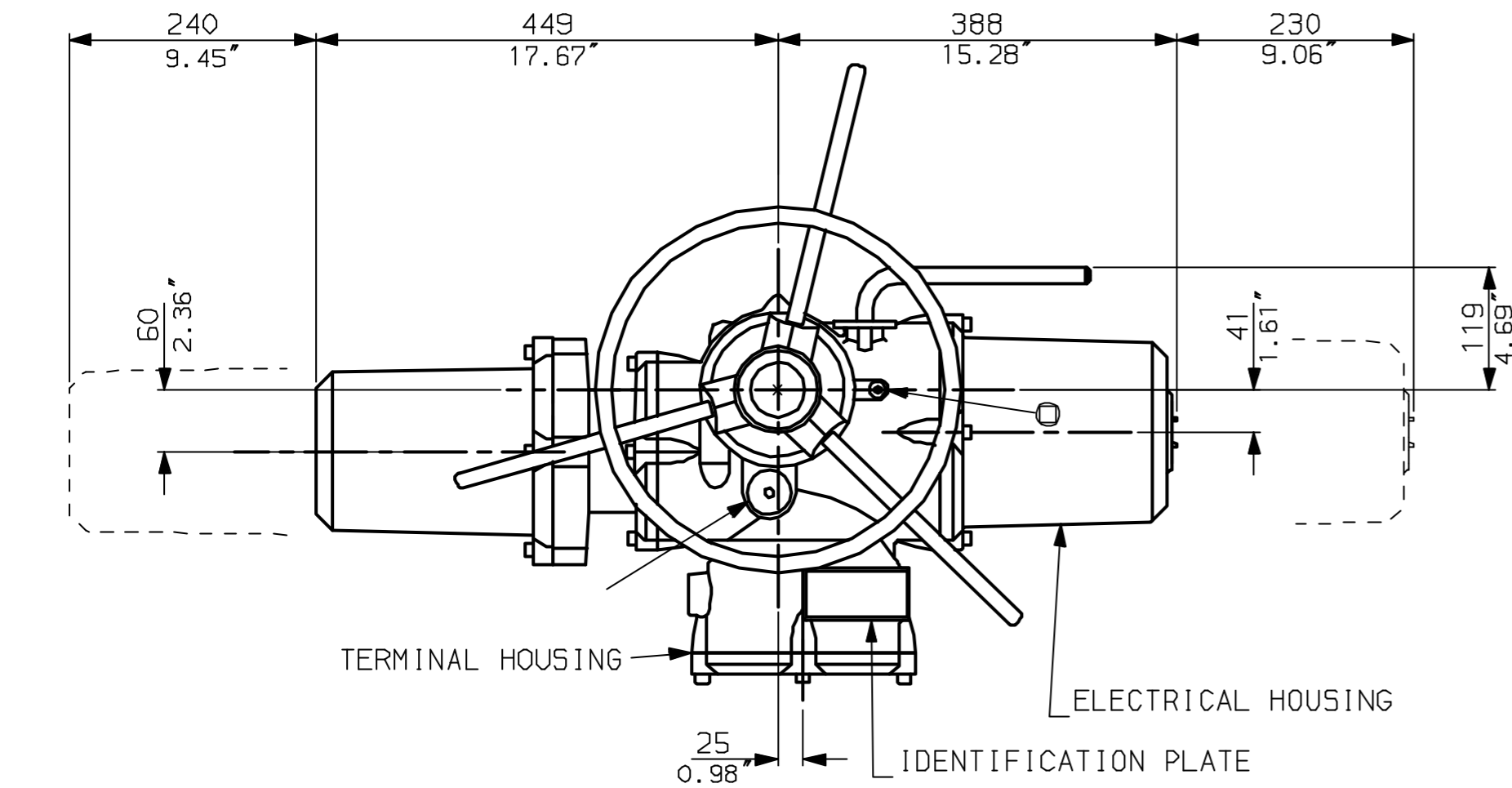
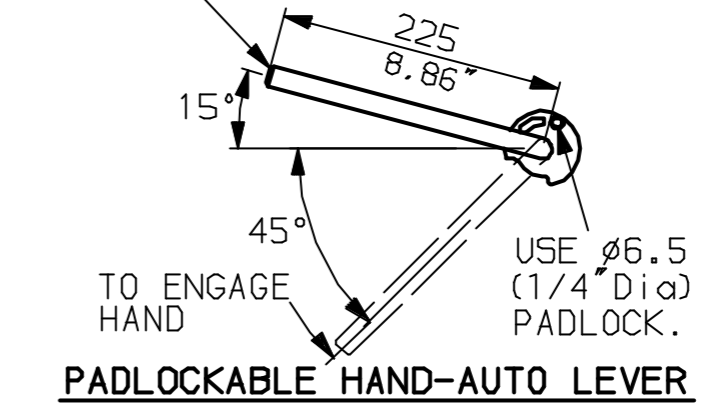


G
F
E
D
C
B
A

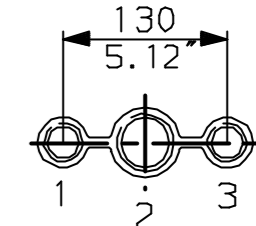


LEVER POSITION IN AUTO.
LEVER AUTOMATICALLY RETURNS
TO THIS POSITION WHEN RELEASED

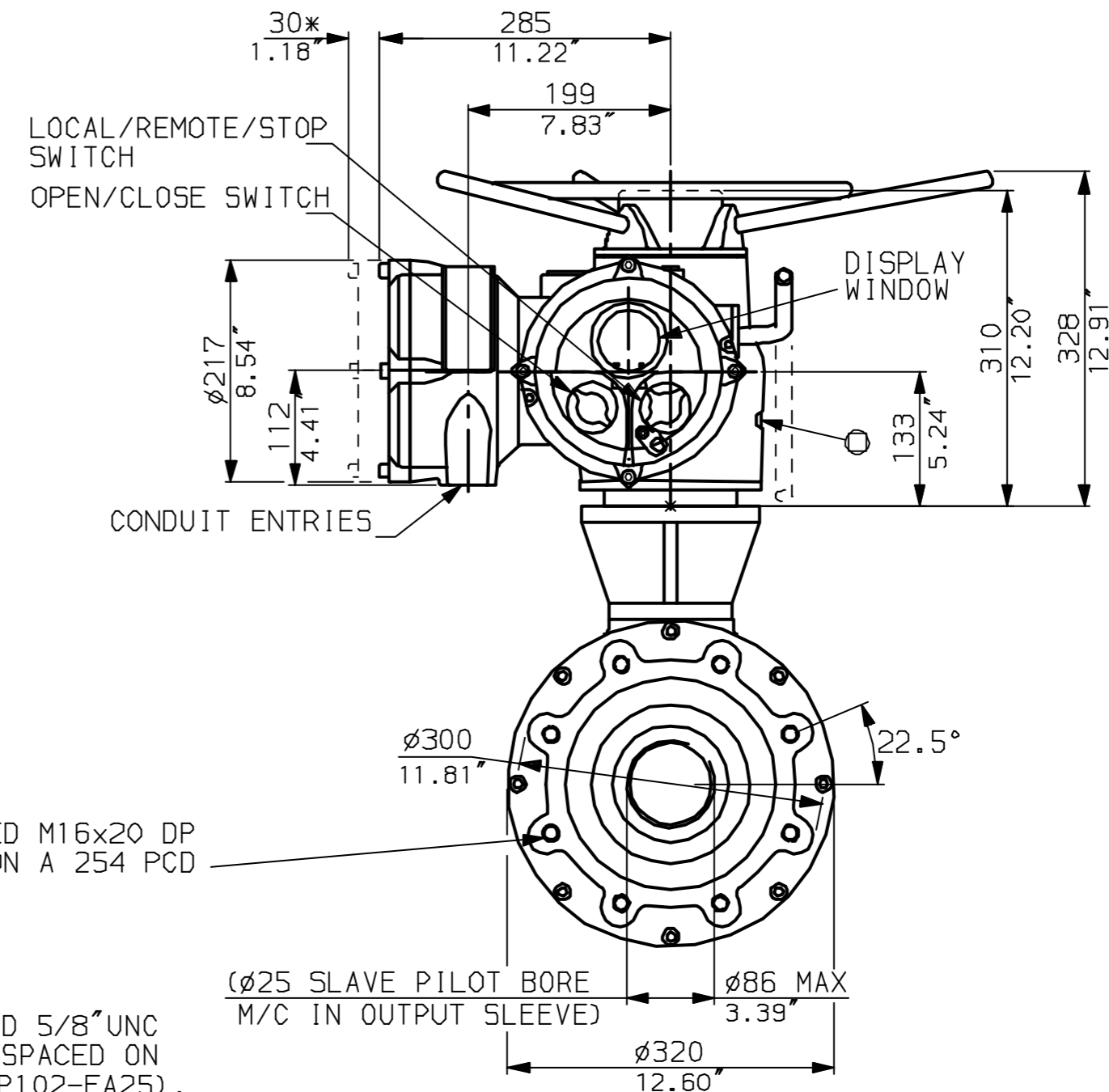


NOTES:
DIMENSIONS WITH '*' INDICATE
COVER REMOVAL ALLOWANCE
NETT WEIGHT = 123kg (271 lbs)
○ = OIL FILLER/DRAIN PLUG
THE INTERFACE PROVIDED FOR MOUNTING THE
ACTUATOR OR SECOND STAGE GEARBOX ONTO THE
VALVE SHOULD CONFORM TO GOOD ENGINEERING
PRACTICES, ENSURING ADEQUATELY TOLERANCED
LIMITS FOR PARALLELISM, PERPENDICULARITY
AND CONCENTRICITY.

CONDUIT ENTRIES (N.T.S)



Nos.1 & 3 TAPPED 1" NPT
No.2 TAPPED 1 1/2" NPT
STD ALTERNATIVES IF SPECIFIED
2 X M25, 1 X M40
2 X PG16, 1 X PG29



"F" version

8 HOLES TAPPED M16x20 DP
EQUI-SPACED ON A 254 PCD
(ISO5210 F25)

"FA" version

8 HOLES TAPPED 5/8"UNC
x0.8" dp EQUI-SPACED ON
10"PCD (MSS SP102-FA25).

rotork
www.rotork.com

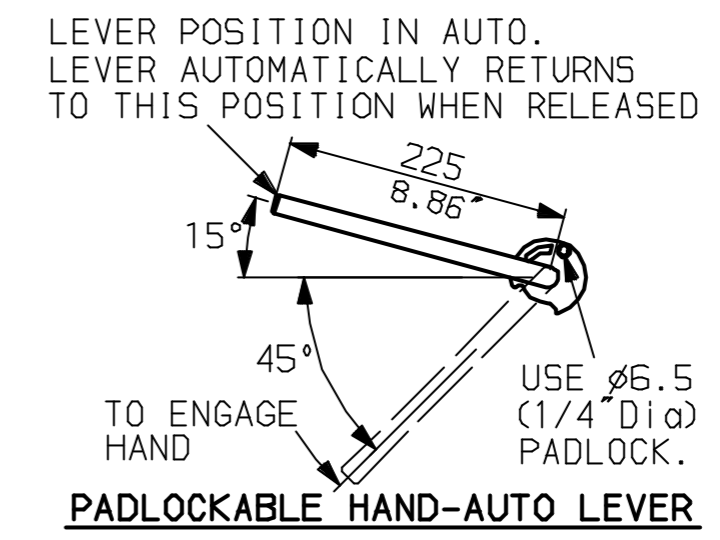
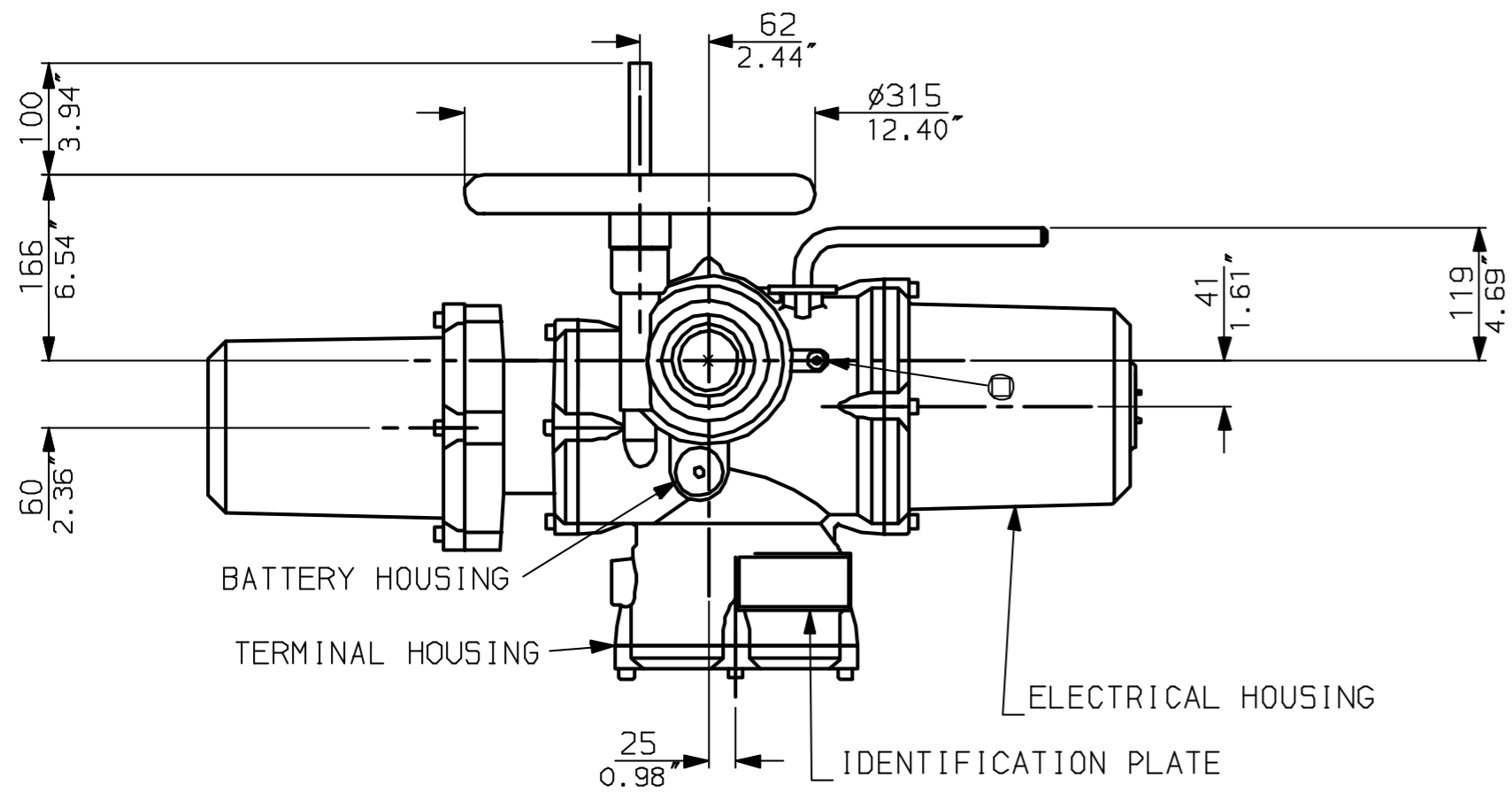
Rotork Controls Ltd.
Bath England, BA1 3JQ.
(Phone 01225-733200)
Rotork Controls Inc.
Rochester, NY 14624
(Phone 585-328-1550)

Title IQD20, THW, IB9,		
STANDARD DIMENSIONAL DATA		
Drawn CAD	Checked PRE	Ref Data Sheet
Date April 04	Job No	IQD20THW_IB9

01	First Issue.
Scale	1:6 THIRD ANGLE PROJECTION
Drawing Number	IQD20THW_IB9

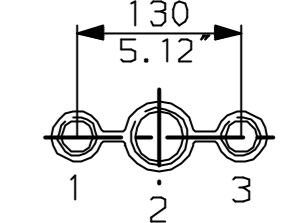
1 | 2 | 3 | 4 | 5 | 6 | 7 | 8 | 9 | 10

G
F
E
D
C
B
A

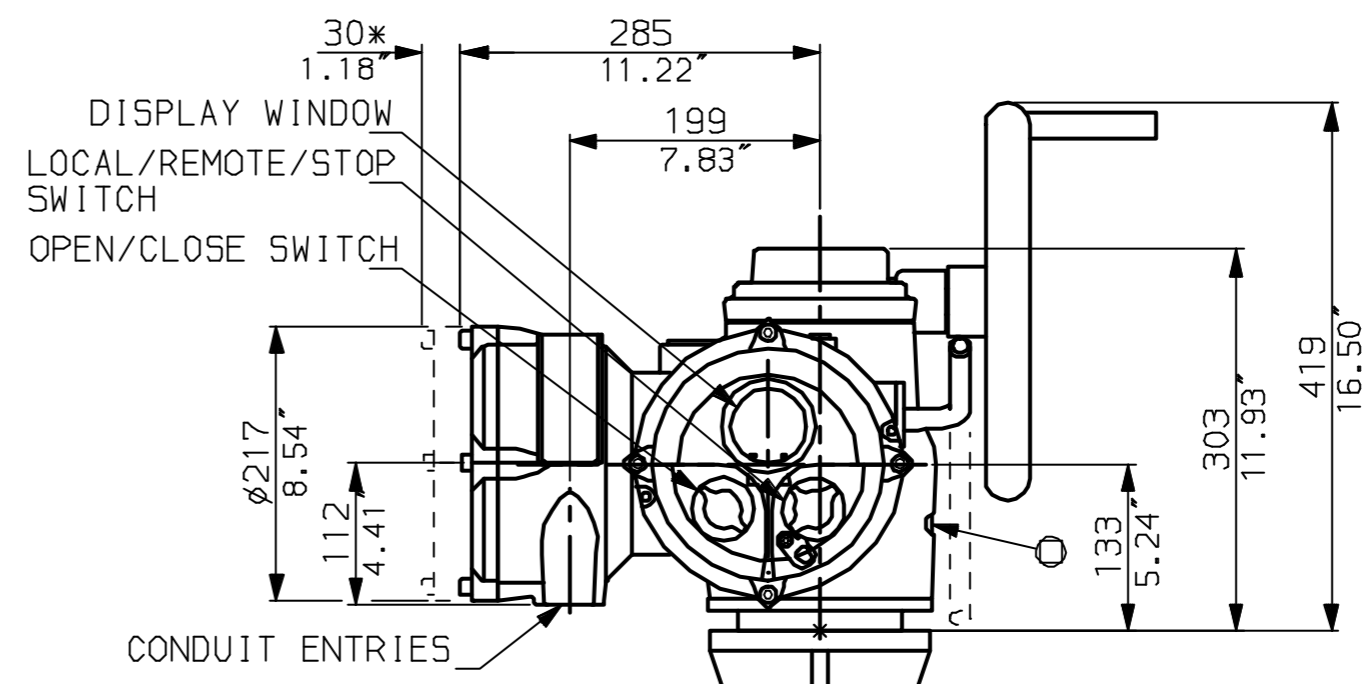
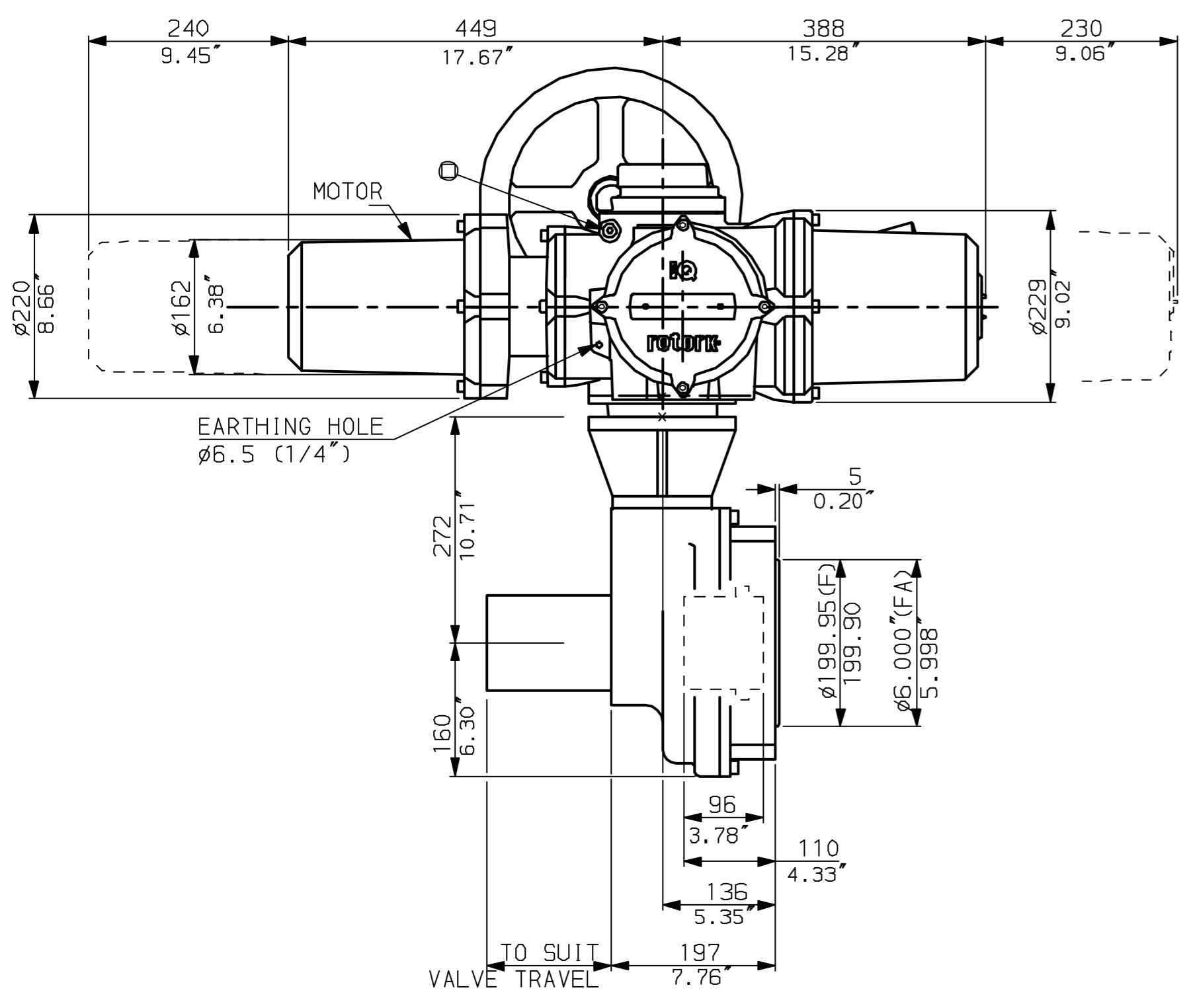


NOTES:
DIMENSIONS WITH '*' INDICATE
COVER REMOVAL ALLOWANCE
NETT WEIGHT = 123kg (271 lbs)
⊙ = OIL FILLER/DRAIN PLUG
THE INTERFACE PROVIDED FOR MOUNTING THE
ACTUATOR OR SECOND STAGE GEARBOX ONTO THE
VALVE SHOULD CONFORM TO GOOD ENGINEERING
PRACTICES, ENSURING ADEQUATELY TOLERANCED
LIMITS FOR PARALLELISM, PERPENDICULARITY
AND CONCENTRICITY.

CONDUIT ENTRIES (N.T.S)

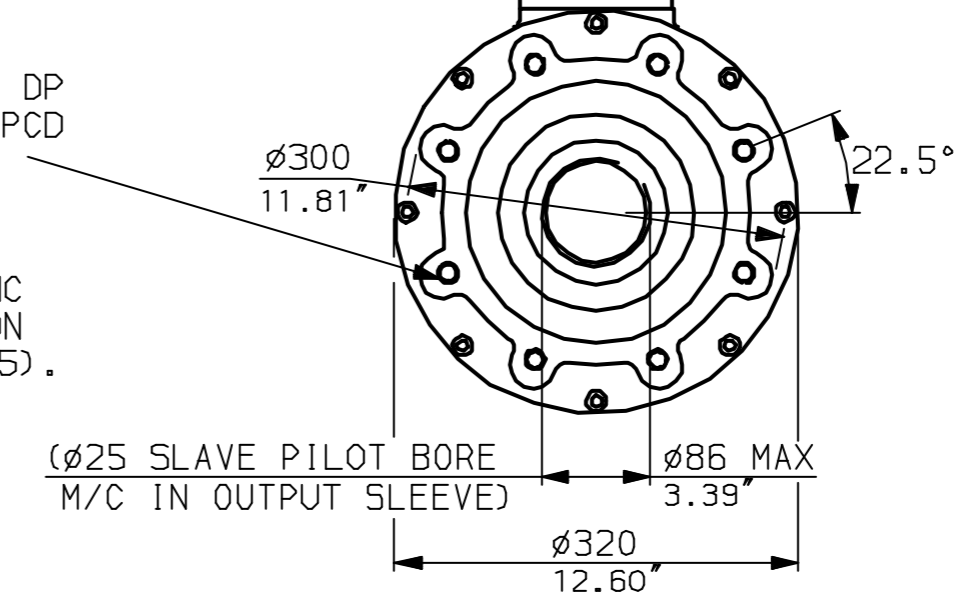


Nos.1 & 3 TAPPED 1" NPT
No.2 TAPPED 1 1/2" NPT
STD ALTERNATIVES IF SPECIFIED
2 X M25, 1 X M40
2 X PG16, 1 X PG29



"F" version
8 HOLES TAPPED M16x20 DP
EQUI-SPACED ON A 254 PCD
(IS05210 F25)

"FA" version
8 HOLES TAPPED 5/8" UNC
x 0.8" dp EQUI-SPACED ON
10" PCD (M55 SP102-FA25).



Rotork Controls Ltd.
Bath England, BA1 3JQ.
(Phone 01225-733200)

Rotork Controls Inc.
Rochester, NY 14624
(Phone 585-328-1550)

Title IQD20, SHW, IB9,		
STANDARD DIMENSIONAL DATA		
Drawn CAD	Checked PRE	Ref Data Sheet
Date April 04	Job No	IQD20SHW_IB9

01	First Issue.
Scale	1:6 THIRD ANGLE PROJECTION
Drawing Number	IQD20SHW_IB9

1 | 2 | 3 | 4 | 5 | 6 | 7 | 8 | 9 | 10