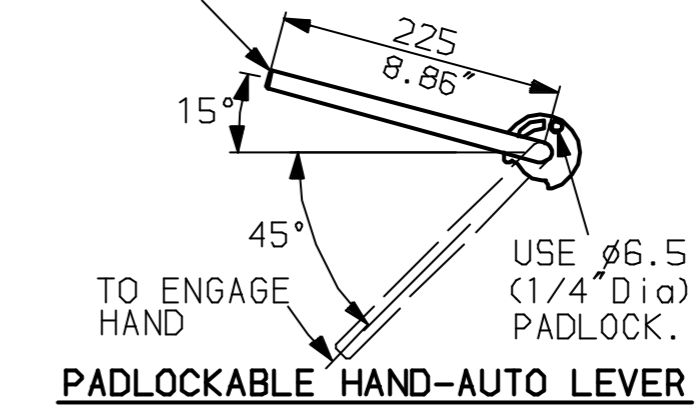


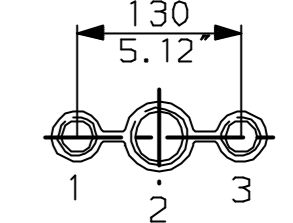
G  
F  
E  
D  
C  
B  
A

LEVER POSITION IN AUTO.  
LEVER AUTOMATICALLY RETURNS  
TO THIS POSITION WHEN RELEASED

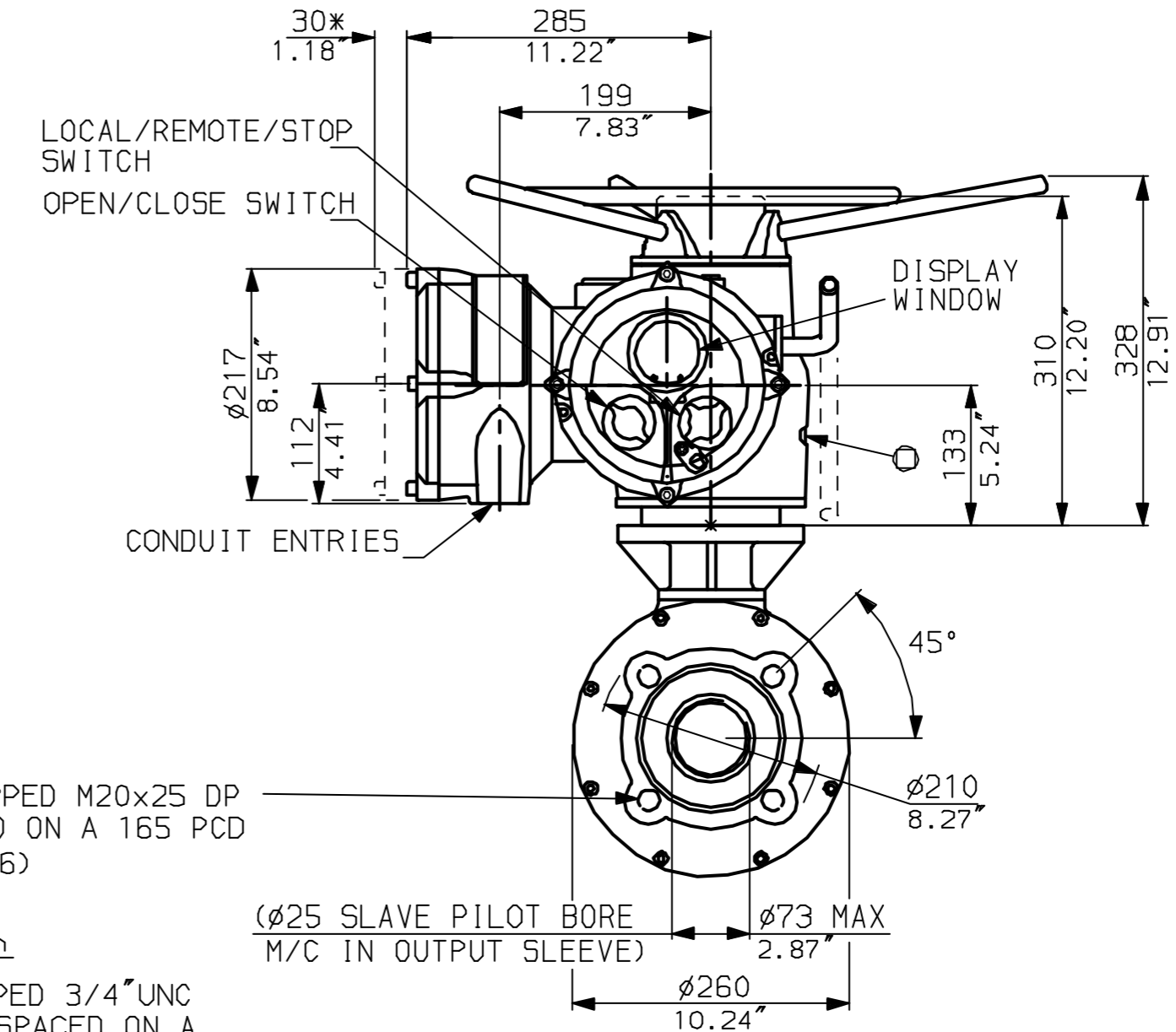
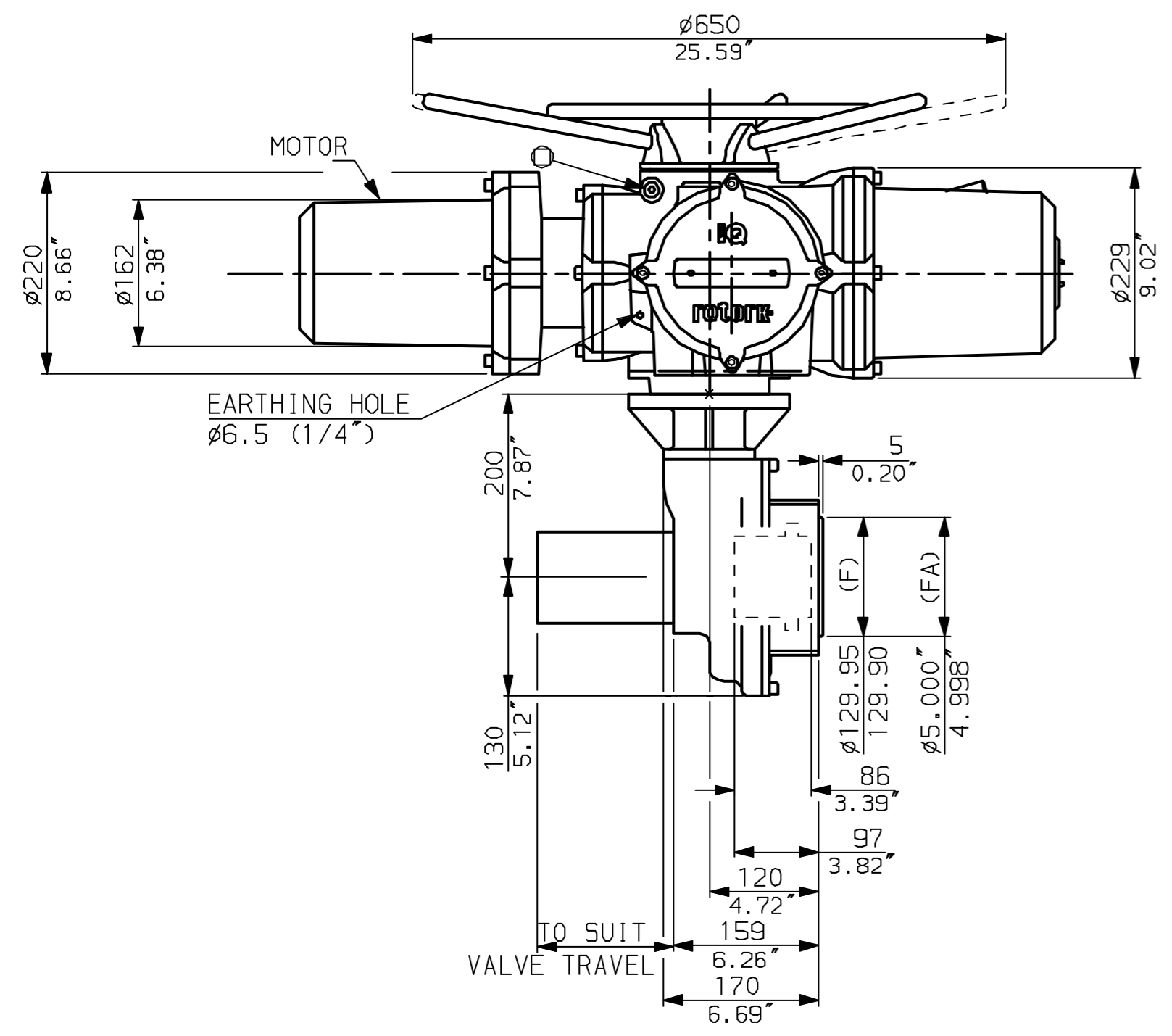
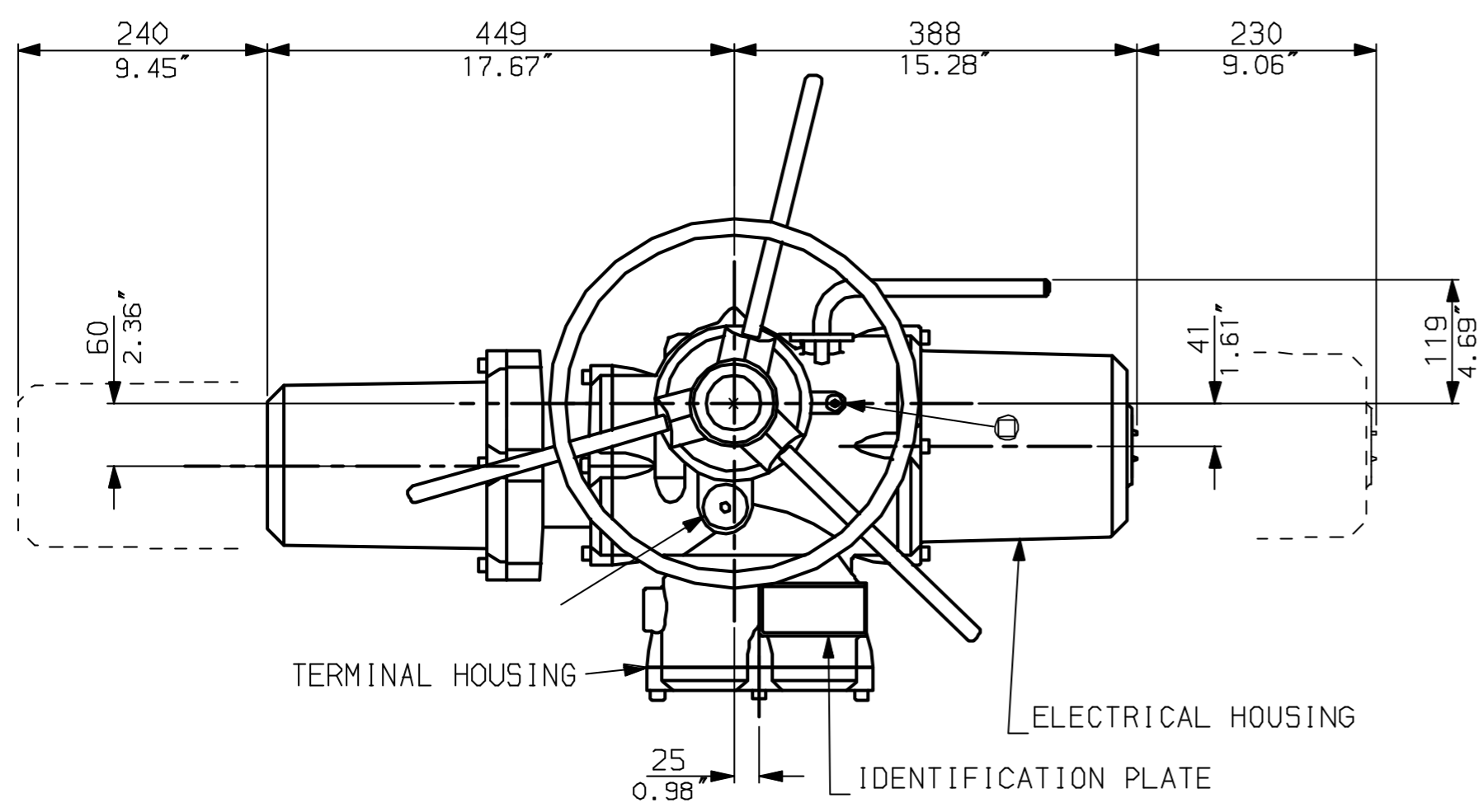


NOTES:  
DIMENSIONS WITH '\*' INDICATE  
COVER REMOVAL ALLOWANCE  
NETT WEIGHT = 88kg (194lbs)  
OIL FILLER/DRAIN PLUG  
THE INTERFACE PROVIDED FOR MOUNTING THE  
ACTUATOR OR SECOND STAGE GEARBOX ONTO THE  
VALVE SHOULD CONFORM TO GOOD ENGINEERING  
PRACTICES, ENSURING ADEQUATELY TOLERANCED  
LIMITS FOR PARALLELISM, PERPENDICULARITY  
AND CONCENTRICITY.

**CONDUIT ENTRIES** (N.T.S)



Nos.1 & 3 TAPPED 1" NPT  
No.2 TAPPED 1 1/2" NPT  
STD ALTERNATIVES IF SPECIFIED  
2 X M25, 1 X M40  
2 X PG16, 1 X PG29



"F" version  
4 HOLES TAPPED M20x25 DP  
EQUI-SPACED ON A 165 PCD  
(IS05210 F16)

"FA" version  
4 HOLES TAPPED 3/4"UNC  
x1"dp EQUI-SPACED ON A  
6.5"PCD (M55 SP102-FA16).

(25 SLAVE PILOT BORE  
M/C IN OUTPUT SLEEVE)

73 MAX  
2.87

260  
10.24



Rotork Controls Ltd.  
Bath England, BA1 3JQ.  
(Phone 01225-733200)

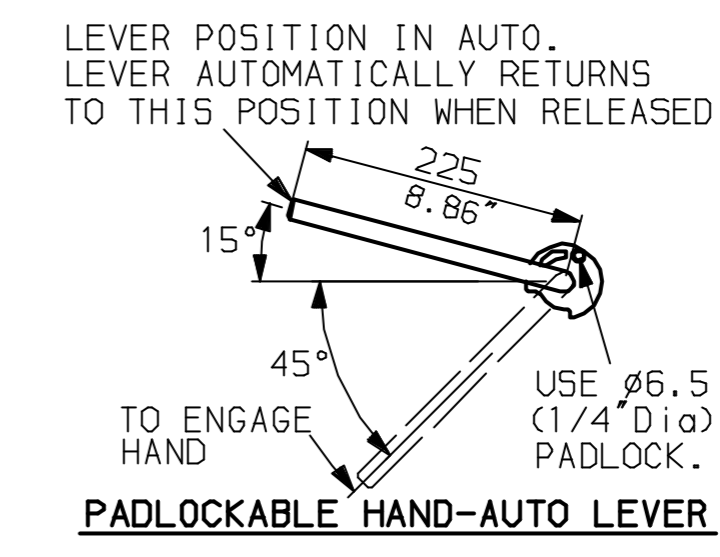
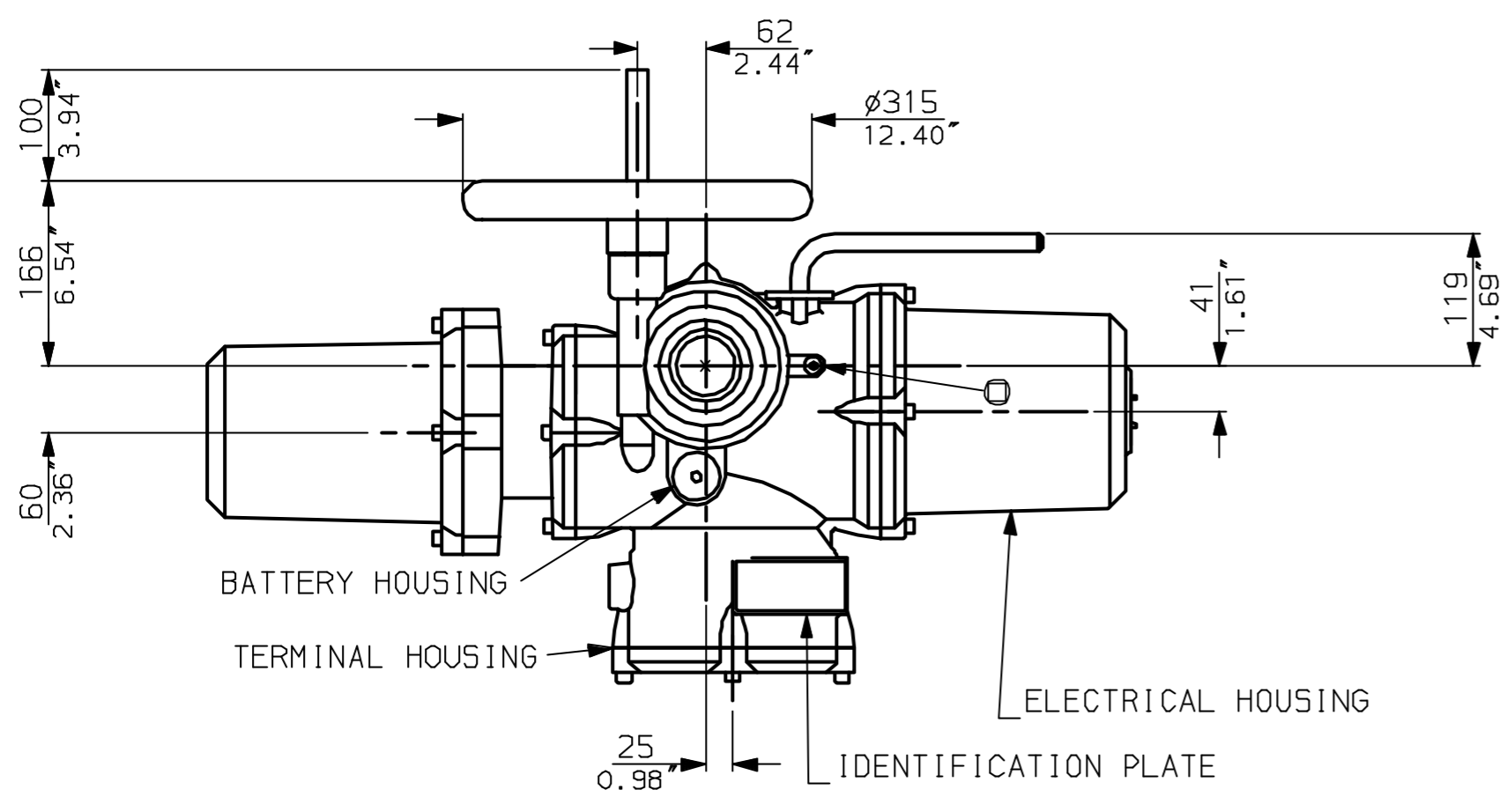
Rotork Controls Inc.  
Rochester, NY 14624  
(Phone 585-328-1550)

Title IQD20, THW, IB7,		
STANDARD DIMENSIONAL DATA		
Drawn CAD	Checked PRE	Ref Data Sheet
Date April 04	Job No IQD20THW_IB7	

01	First Issue.
Scale 1:6	THIRD ANGLE PROJECTION
Drawing Number	IQD20THW_IB7

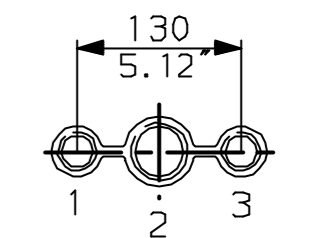
1 | 2 | 3 | 4 | 5 | 6 | 7 | 8 | 9 | 10

G  
F  
E  
D  
C  
B  
A

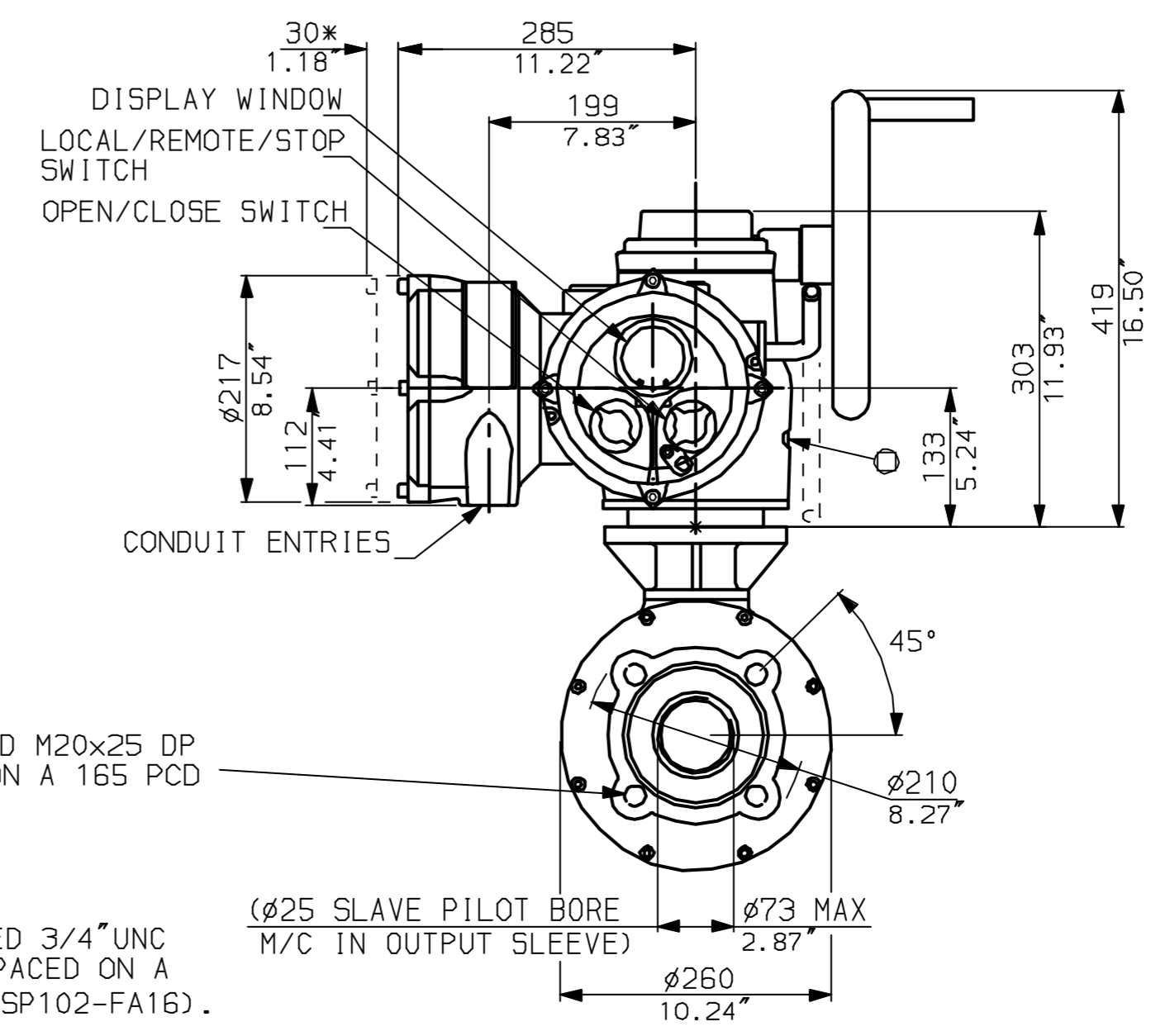
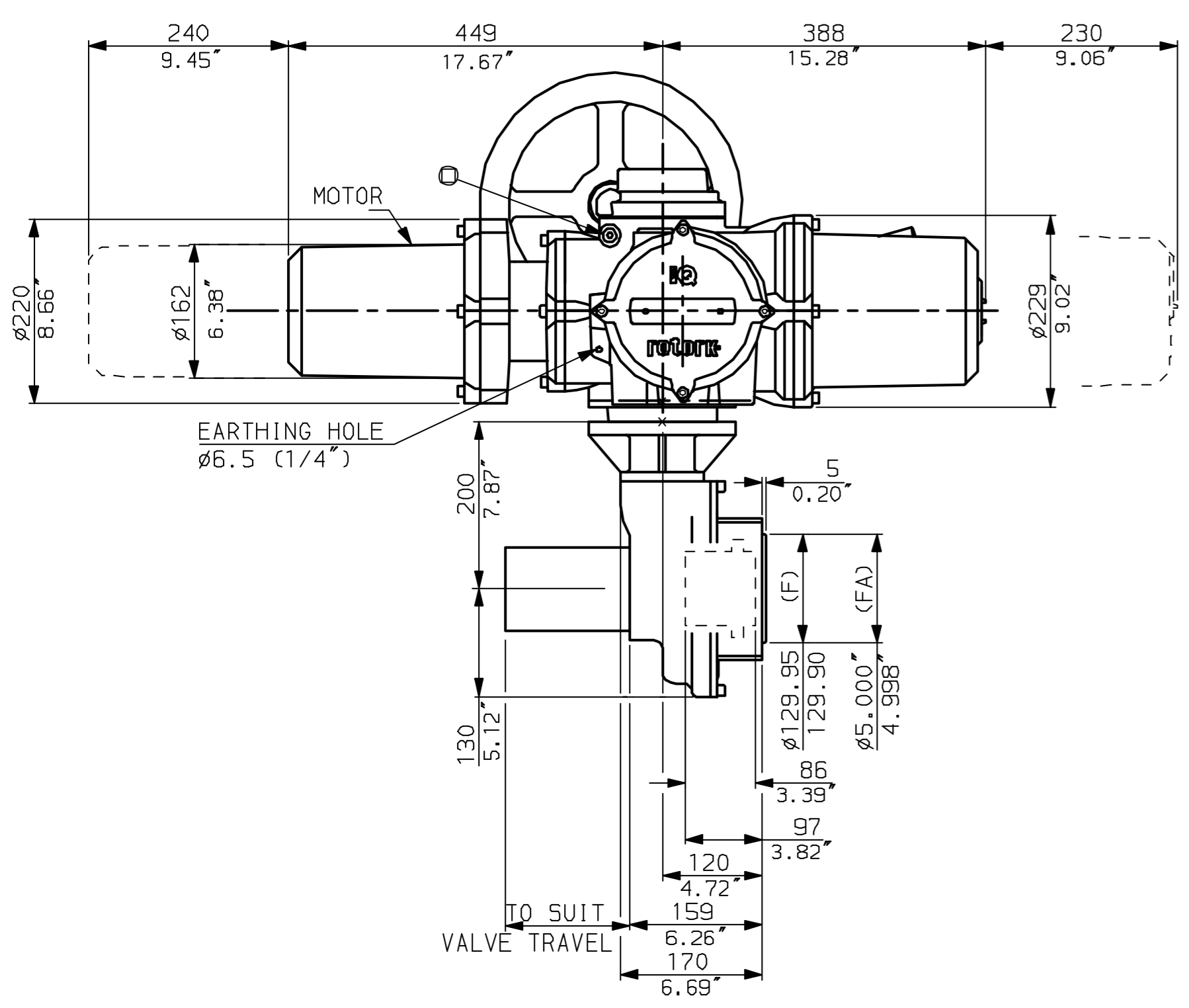


NOTES:  
DIMENSIONS WITH '\*' INDICATE  
COVER REMOVAL ALLOWANCE  
NETT WEIGHT = 88kg (194lbs)  
○ = OIL FILLER/DRAIN PLUG  
THE INTERFACE PROVIDED FOR MOUNTING THE  
ACTUATOR OR SECOND STAGE GEARBOX ONTO THE  
VALVE SHOULD CONFORM TO GOOD ENGINEERING  
PRACTICES, ENSURING ADEQUATELY TOLERANCED  
LIMITS FOR PARALLELISM, PERPENDICULARITY  
AND CONCENTRICITY.

CONDUIT ENTRIES (N.T.S)



Nos.1 & 3 TAPPED 1" NPT  
No.2 TAPPED 1 1/2" NPT  
STD ALTERNATIVES IF SPECIFIED  
2 X M25, 1 X M40  
2 X PG16, 1 X PG29



"F" version  
4 HOLES TAPPED M20x25 DP  
EQUI-SPACED ON A 165 PCD  
(IS05210 F16)

"FA" version  
4 HOLES TAPPED 3/4" UNC  
x 1" dp EQUI-SPACED ON A  
6.5" PCD (MSS SP102-FA16).



Rotork Controls Ltd.  
Bath England, BA1 3JQ.  
(Phone 01225-733200)

Rotork Controls Inc.  
Rochester, NY 14624  
(Phone 585-328-1550)

Title IQD20, SHW, IB7,		
STANDARD DIMENSIONAL DATA		
Drawn CAD	Checked PRE	Ref Data Sheet
Date April 04	Job No	IQD20SHW_IB7

01	First Issue.
Scale	1:6 THIRD ANGLE PROJECTION
Drawing Number	IQD20SHW_IB7

1 | 2 | 3 | 4 | 5 | 6 | 7 | 8 | 9 | 10