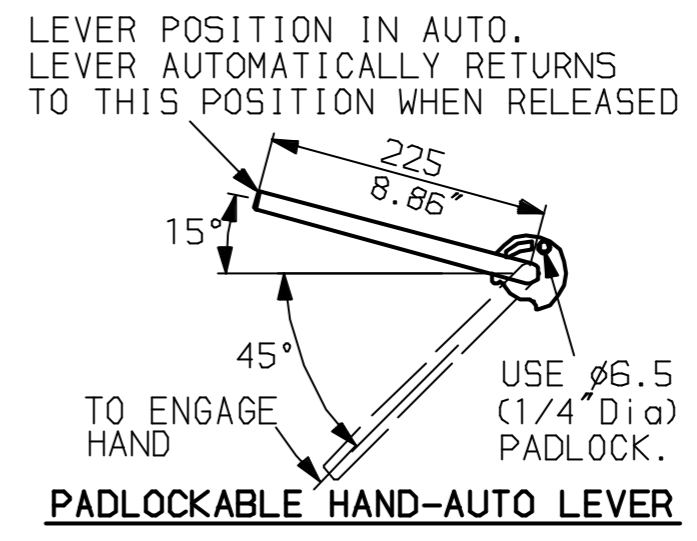
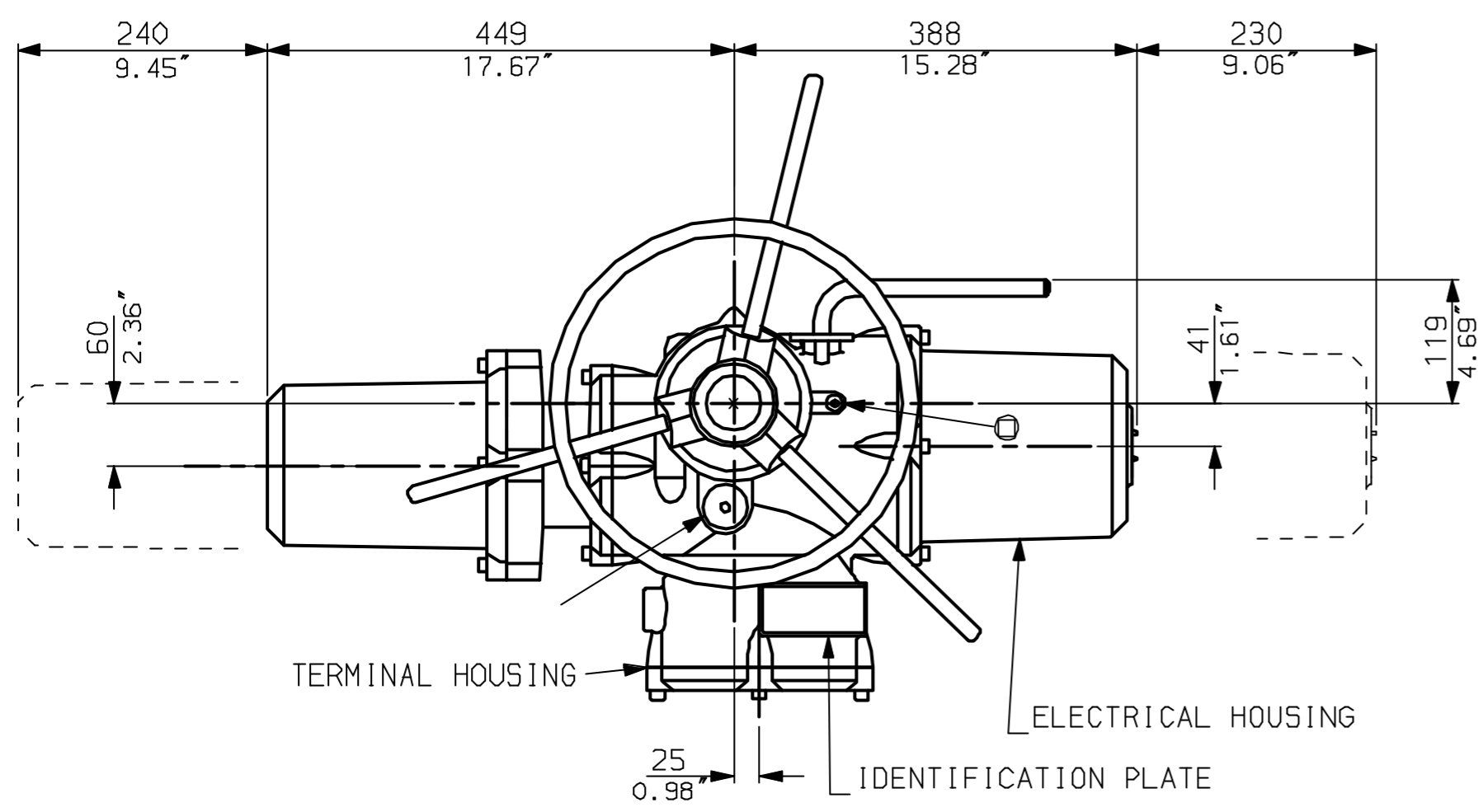
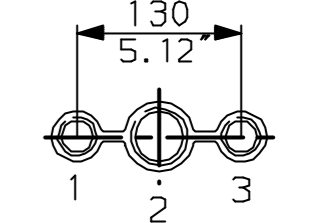


G
F
E
D
C
B
A

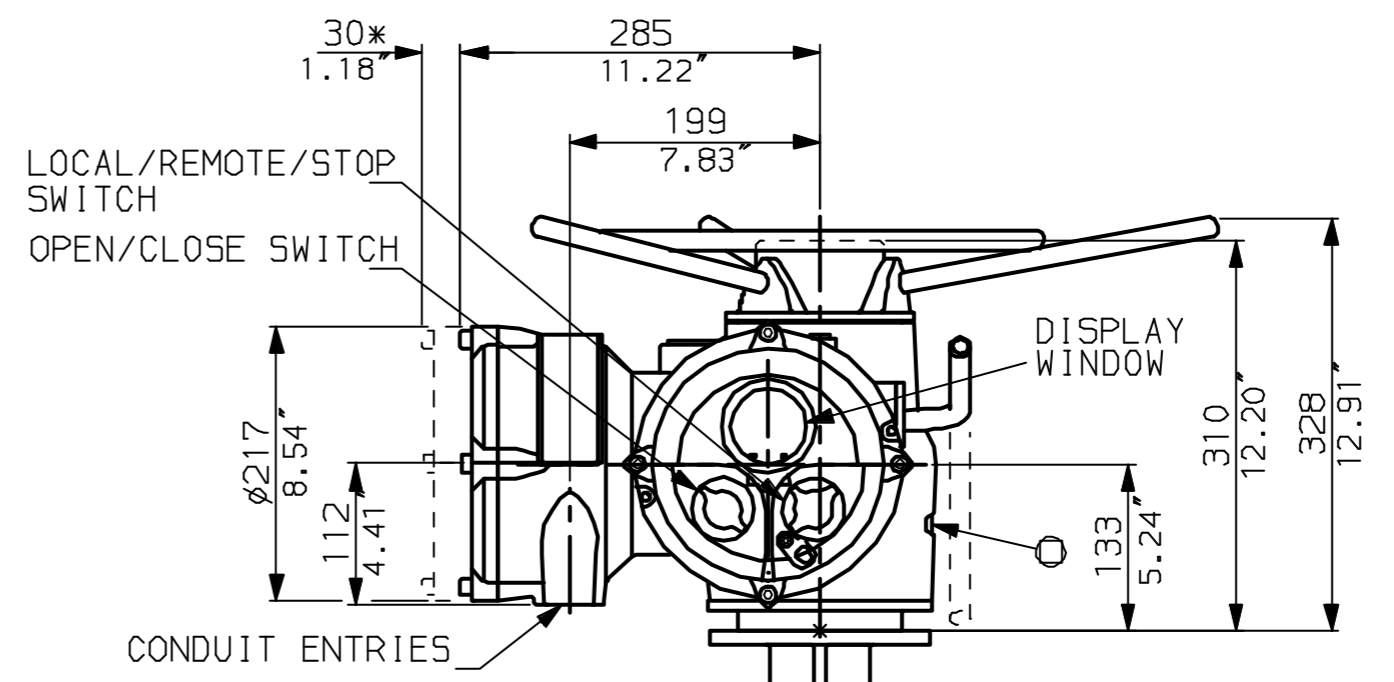
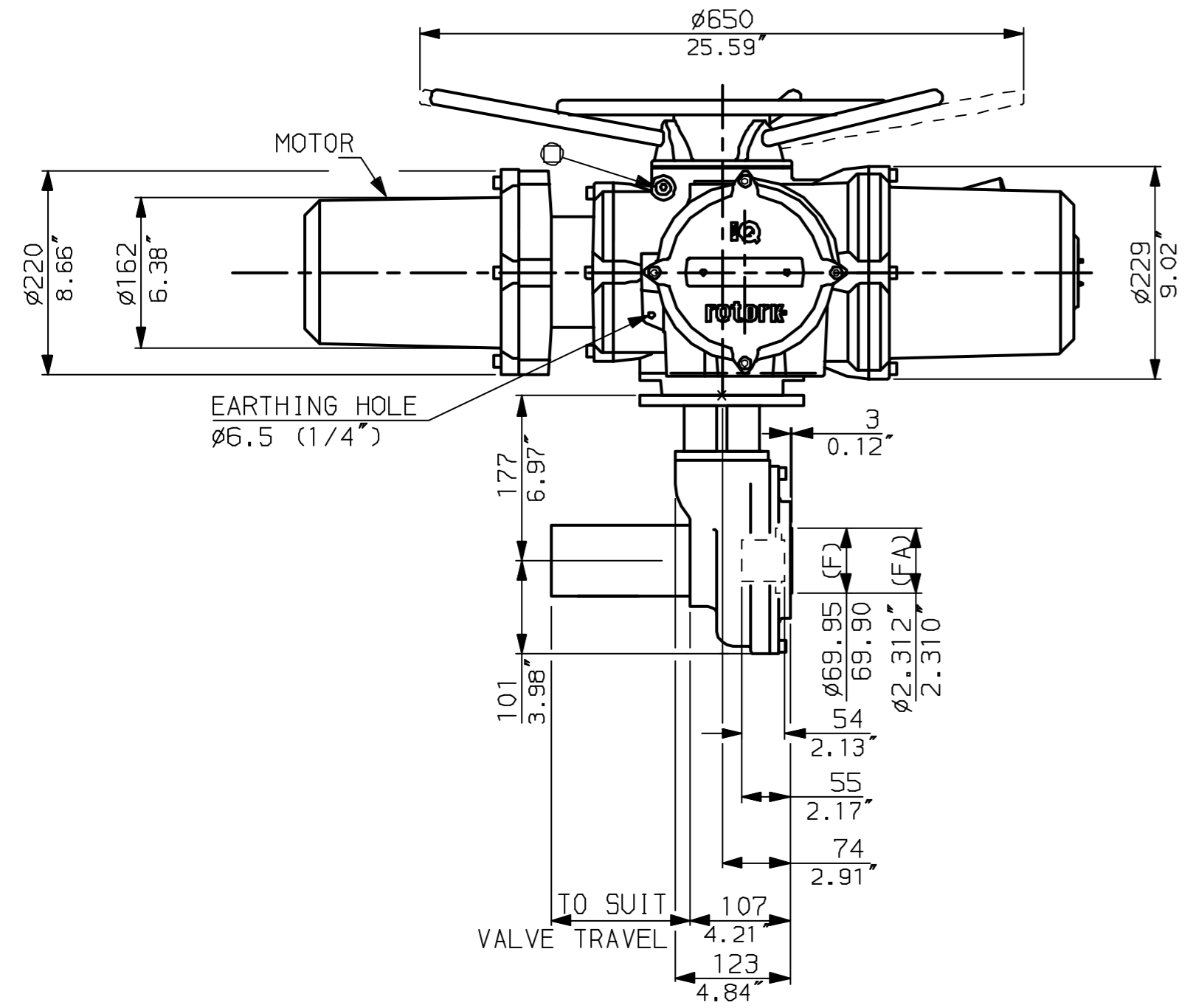


NOTES:
 DIMENSIONS WITH '' INDICATE COVER REMOVAL ALLOWANCE
 :NETT WEIGHT = 69kg (152lbs)
 : = OIL FILLER/DRAIN PLUG
 :THE INTERFACE PROVIDED FOR MOUNTING THE ACTUATOR OR SECOND STAGE GEARBOX ONTO THE VALVE SHOULD CONFORM TO GOOD ENGINEERING PRACTICES, ENSURING ADEQUATELY TOLERANCED LIMITS FOR PARALLELISM, PERPENDICULARITY AND CONCENTRICITY.

CONDUIT ENTRIES (N.T.S)

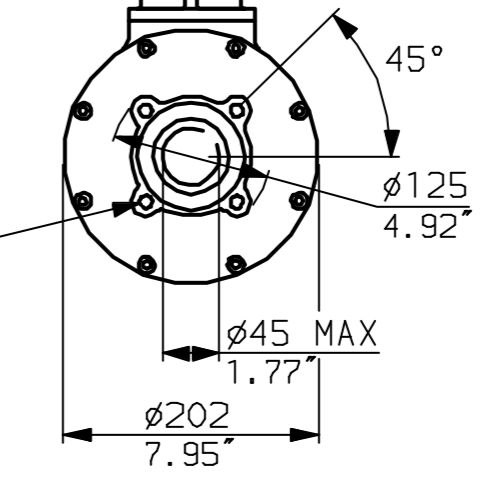


Nos.1 & 3 TAPPED 1" NPT
 No.2 TAPPED 1 1/2" NPT
 STD ALTERNATIVES IF SPECIFIED
 2 X M25, 1 X M40
 2 X PG16, 1 X PG29



"F" version
 4 HOLES TAPPED M10x15 DP EQUI-SPACED ON A 102 PCD (ISO5210 F10)

"FA" version
 4 HOLES TAPPED 3/8" UNC x 0.6" dp EQUI-SPACED ON A 4" PCD (M55 5P102-FA10)



Rotork Controls Ltd.
 Bath England, BA1 3JQ.
 (Phone 01225-733200)

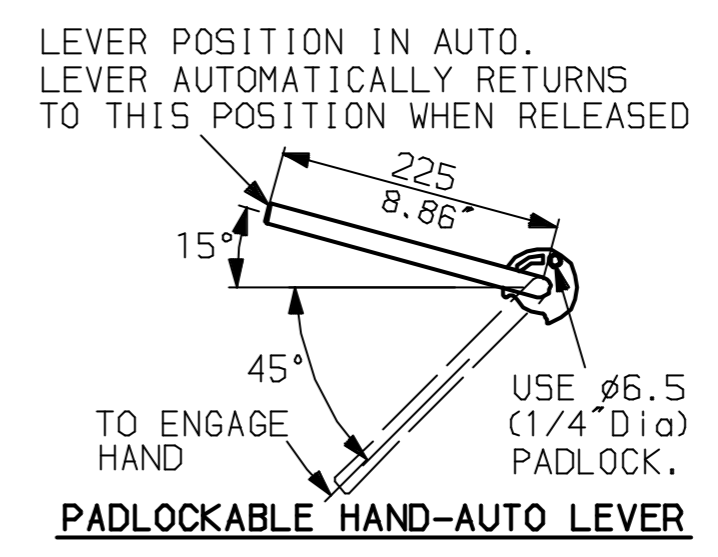
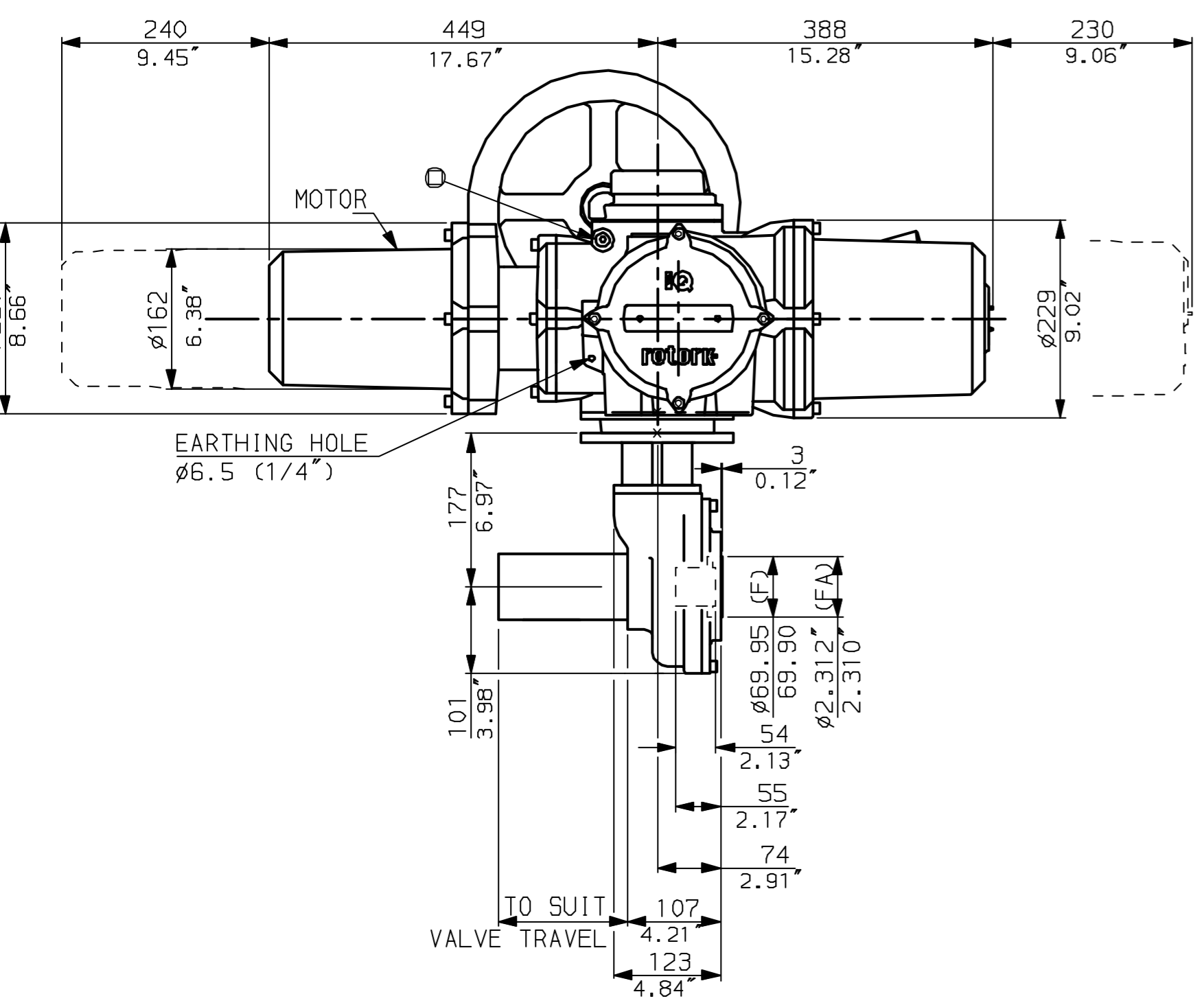
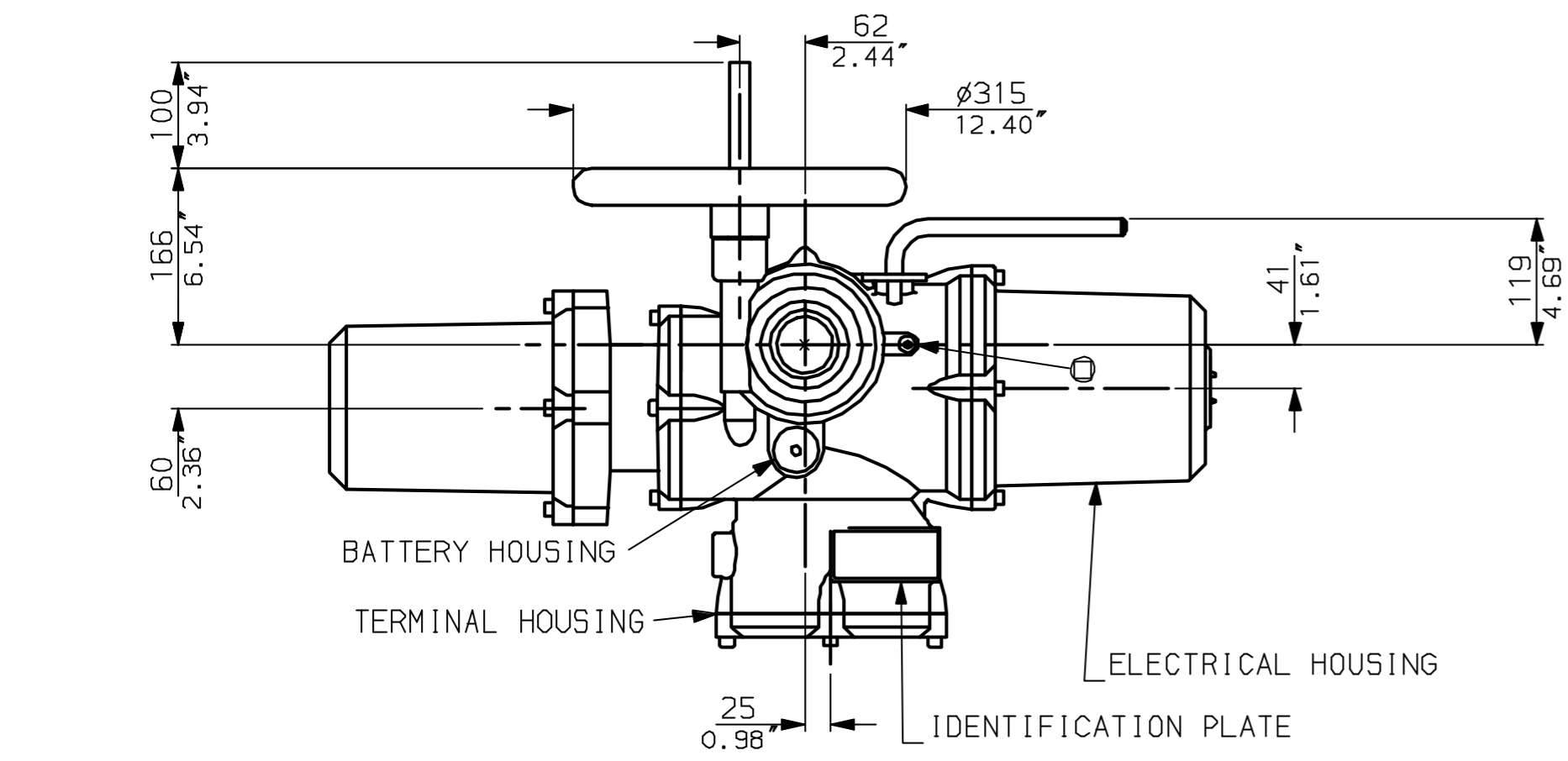
Rotork Controls Inc.
 Rochester, NY 14624
 (Phone 585-328-1550)

Title IQD20, THW, IB4,		
STANDARD DIMENSIONAL DATA		
Drawn CAD	Checked PRE	Ref Data Sheet
Date April 04	Job No IQD20THW_IB4	

01	First Issue.
Scale 1:6	THIRD ANGLE PROJECTION
Drawing Number	IQD20THW_IB4

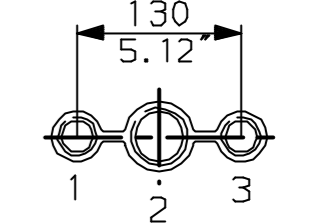
1 | 2 | 3 | 4 | 5 | 6 | 7 | 8 | 9 | 10

G
F
E
D
C
B
A

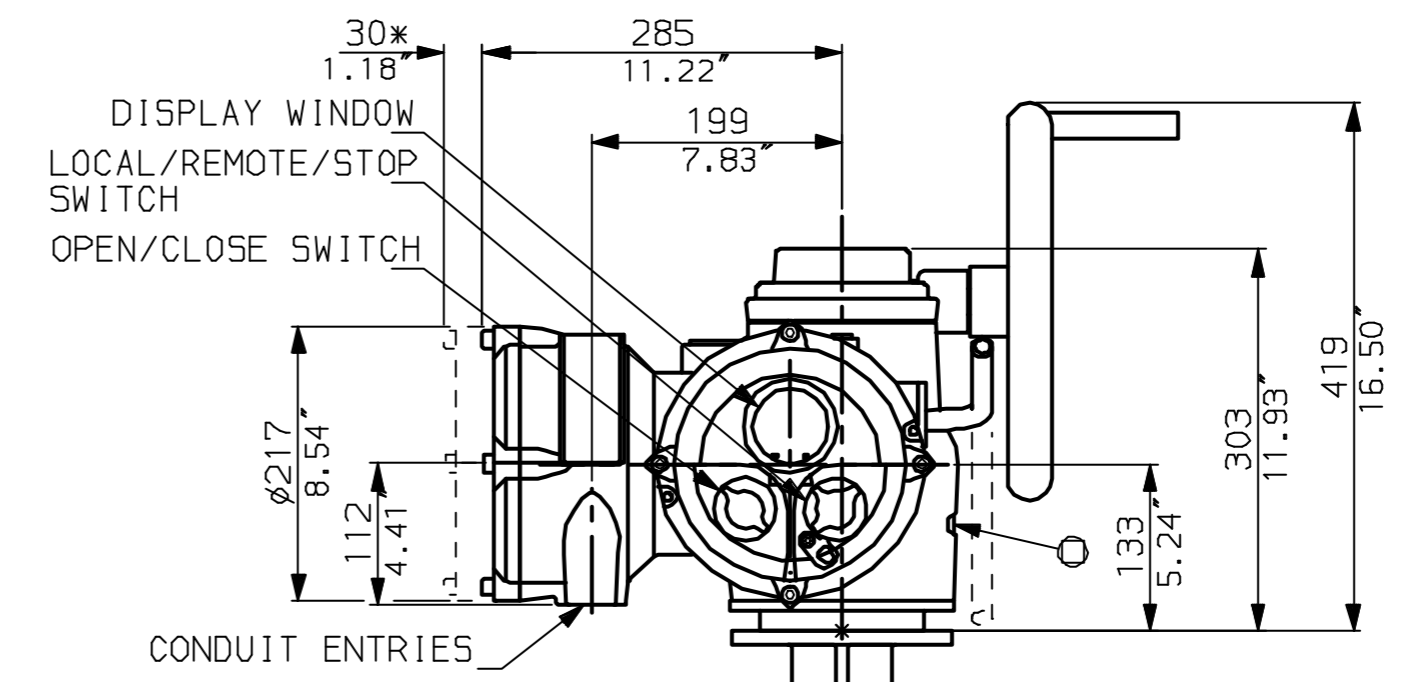


NOTES:
 * DIMENSIONS WITH '*' INDICATE COVER REMOVAL ALLOWANCE
 : NETT WEIGHT = 69kg (152lbs)
 : = OIL FILLER/DRAIN PLUG
 : THE INTERFACE PROVIDED FOR MOUNTING THE ACTUATOR OR SECOND STAGE GEARBOX ONTO THE VALVE SHOULD CONFORM TO GOOD ENGINEERING PRACTICES, ENSURING ADEQUATELY TOLERANCED LIMITS FOR PARALLELISM, PERPENDICULARITY AND CONCENTRICITY.

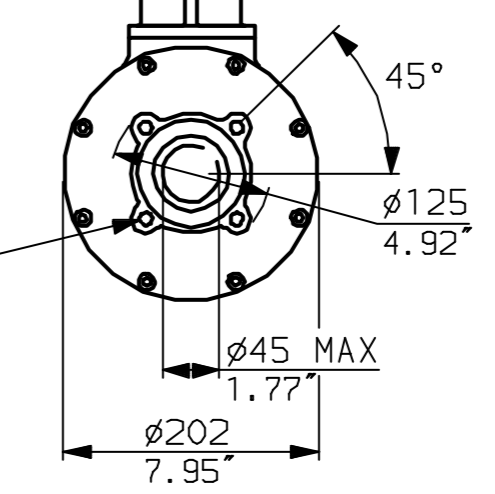
CONDUIT ENTRIES (N.T.S)



Nos.1 & 3 TAPPED 1" NPT
 No.2 TAPPED 1 1/2" NPT
 STD ALTERNATIVES IF SPECIFIED
 2 X M25, 1 X M40
 2 X PG16, 1 X PG29



"F" version
 4 HOLES TAPPED M10x15 DP EQUI-SPACED ON A 102 PCD (ISO5210 F10)
 "FA" version
 4 HOLES TAPPED 3/8" UNC x 0.6" dp EQUI-SPACED ON A 4" PCD (MSS SP102-FA10)



Rotork Controls Ltd.
 Bath England, BA1 3JQ.
 (Phone 01225-733200)
 Rotork Controls Inc.
 Rochester, NY 14624
 (Phone 585-328-1550)

Title IQD20, SHW, IB4,		
STANDARD DIMENSIONAL DATA		
Drawn CAD	Checked PRE	Ref Data Sheet
Date April 04	Job No IQD20SHW_IB4	

01	First Issue.
Scale 1:6	THIRD ANGLE PROJECTION
Drawing Number	IQD20SHW_IB4

1 | 2 | 3 | 4 | 5 | 6 | 7 | 8 | 9 | 10