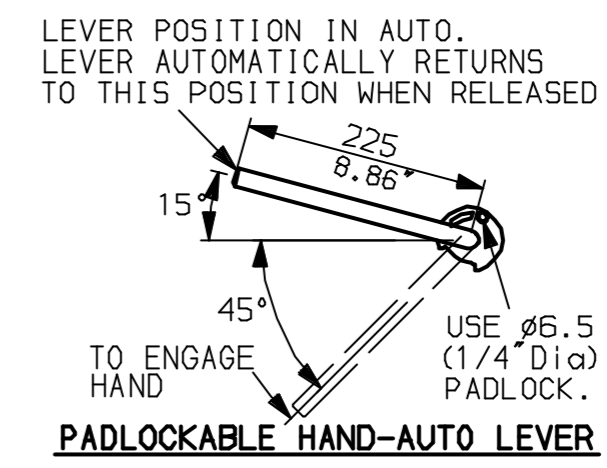
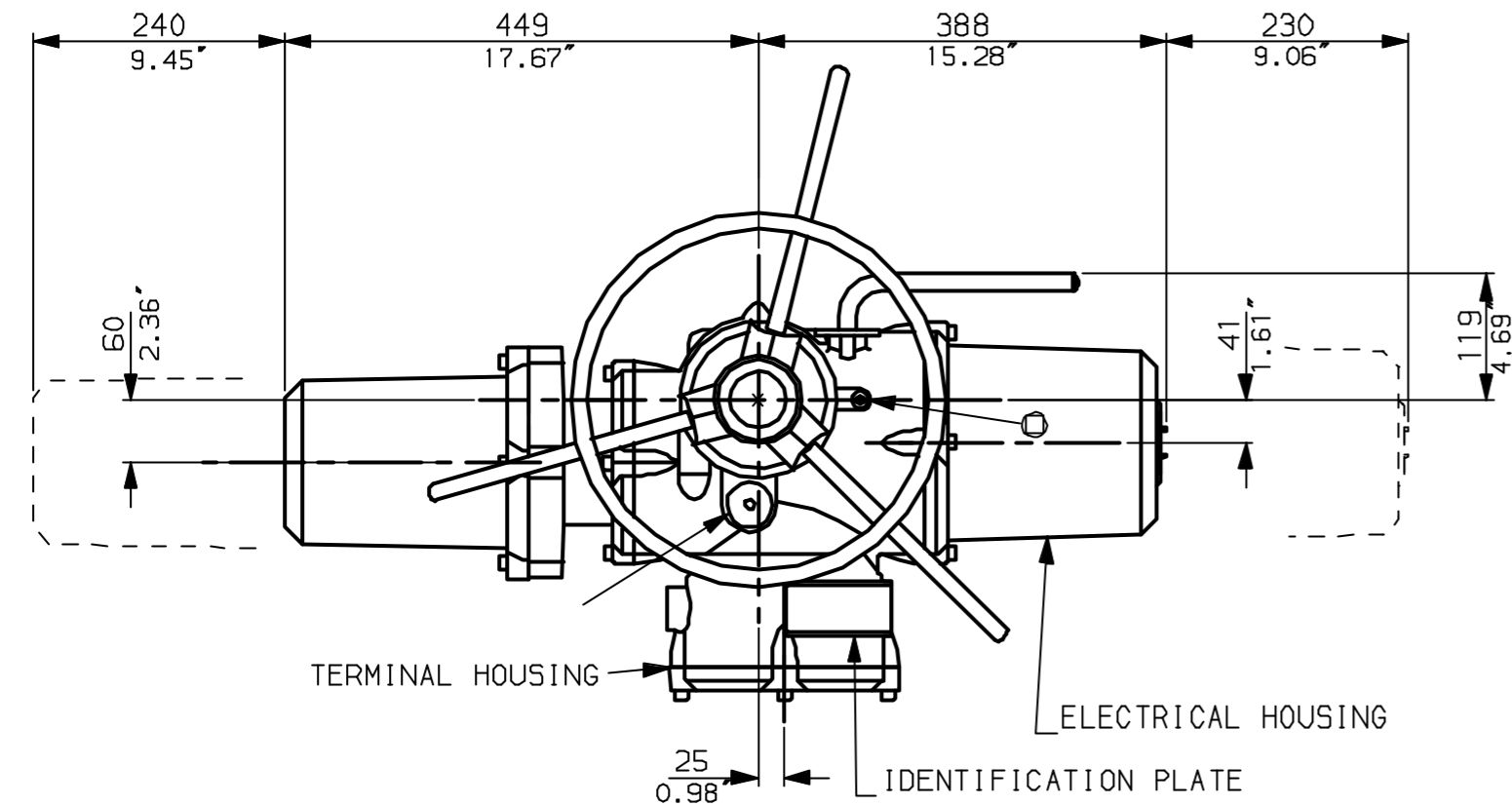
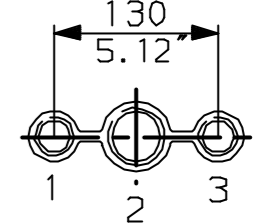


G
F
E
D
C
B
A

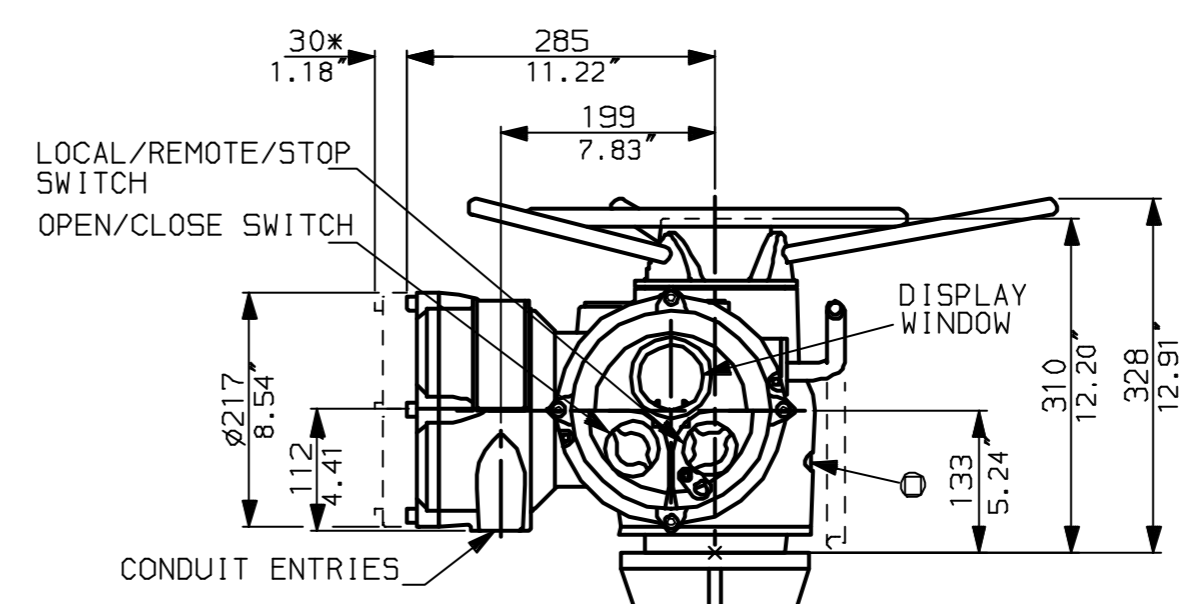
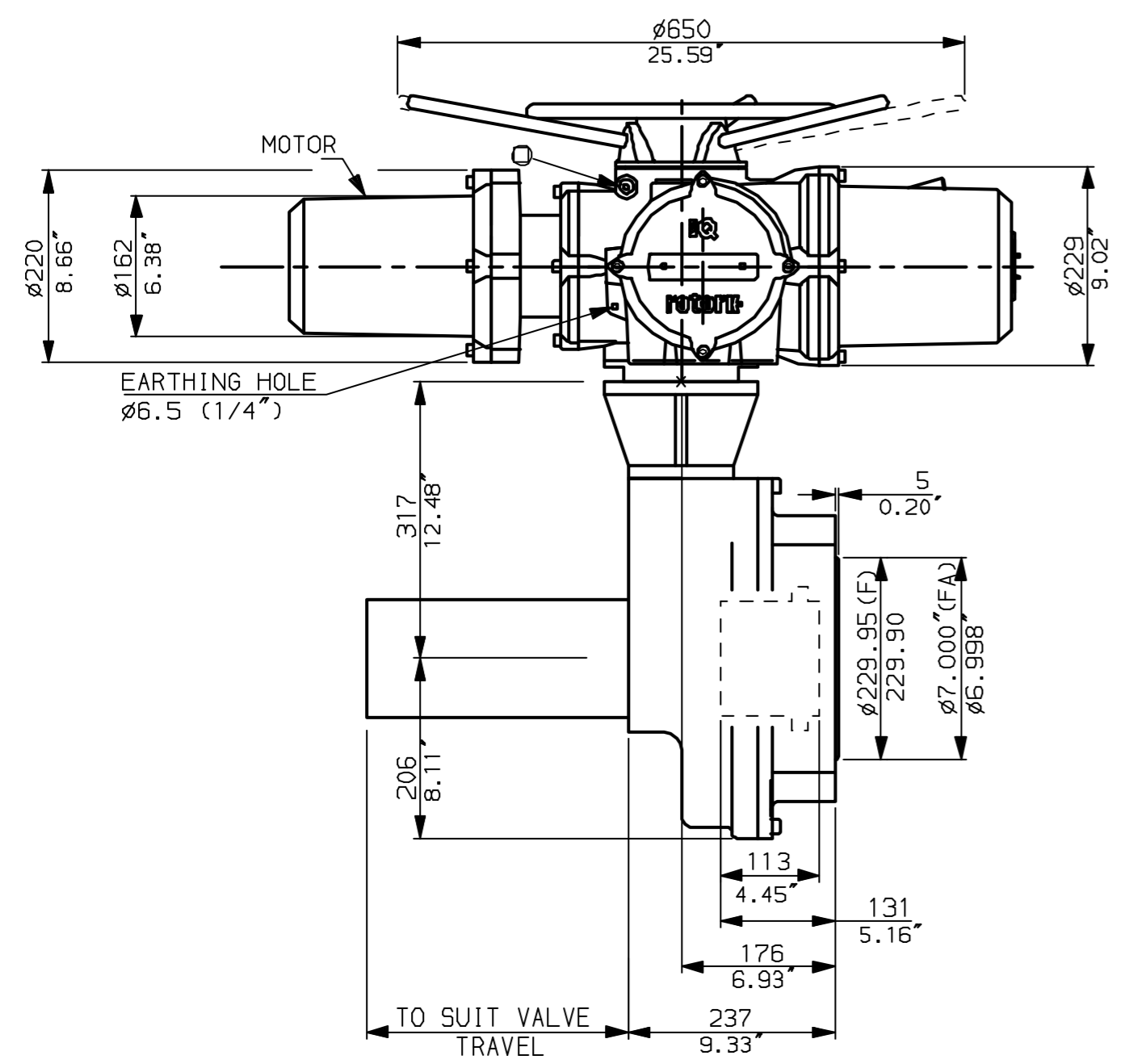


NOTES:
DIMENSIONS WITH '*' INDICATE COVER REMOVAL ALLOWANCE
NETT WEIGHT = 178kg (392lbs)
OIL FILLER/DRAIN PLUG
THE INTERFACE PROVIDED FOR MOUNTING THE ACTUATOR OR SECOND STAGE GEARBOX ONTO THE VALVE SHOULD CONFORM TO GOOD ENGINEERING PRACTICES, ENSURING ADEQUATELY TOLERANCED LIMITS FOR PARALLELISM, PERPENDICULARITY AND CONCENTRICITY.

CONDUIT ENTRIES (N.T.S)

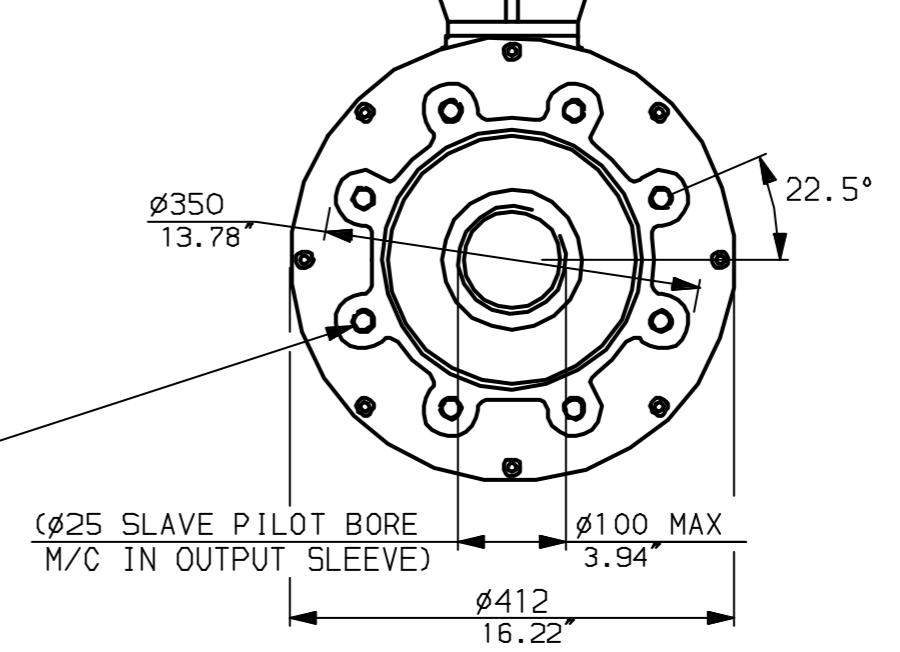


Nos.1 & 3 TAPPED 1" NPT
No.2 TAPPED 1 1/2" NPT
STD ALTERNATIVES IF SPECIFIED
2 X M25, 1 X M40
2 X PG16, 1 X PG29



"F" version
8 HOLES TAPPED M20x25 DP
EQUI-SPACED ON A 298 PCD
(ISO5210 F30)

"FA" version
8 HOLES TAPPED 3/4" UNC
x1" dp EQUI-SPACED ON A
11.75" PCD (MSS SP102-FA30)



Rotork Controls Ltd.
Bath England, BA1 3JQ.
(Phone 01225-733200)

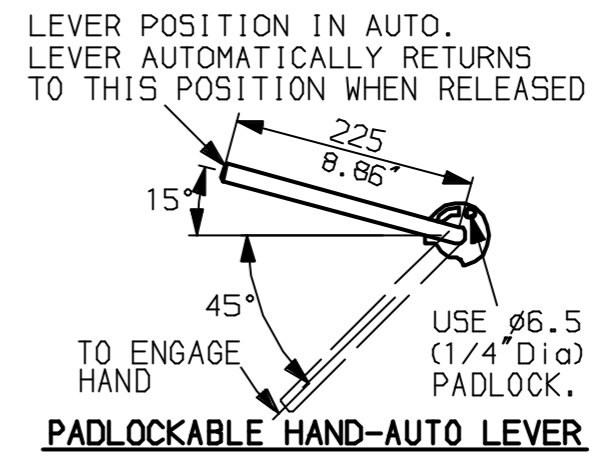
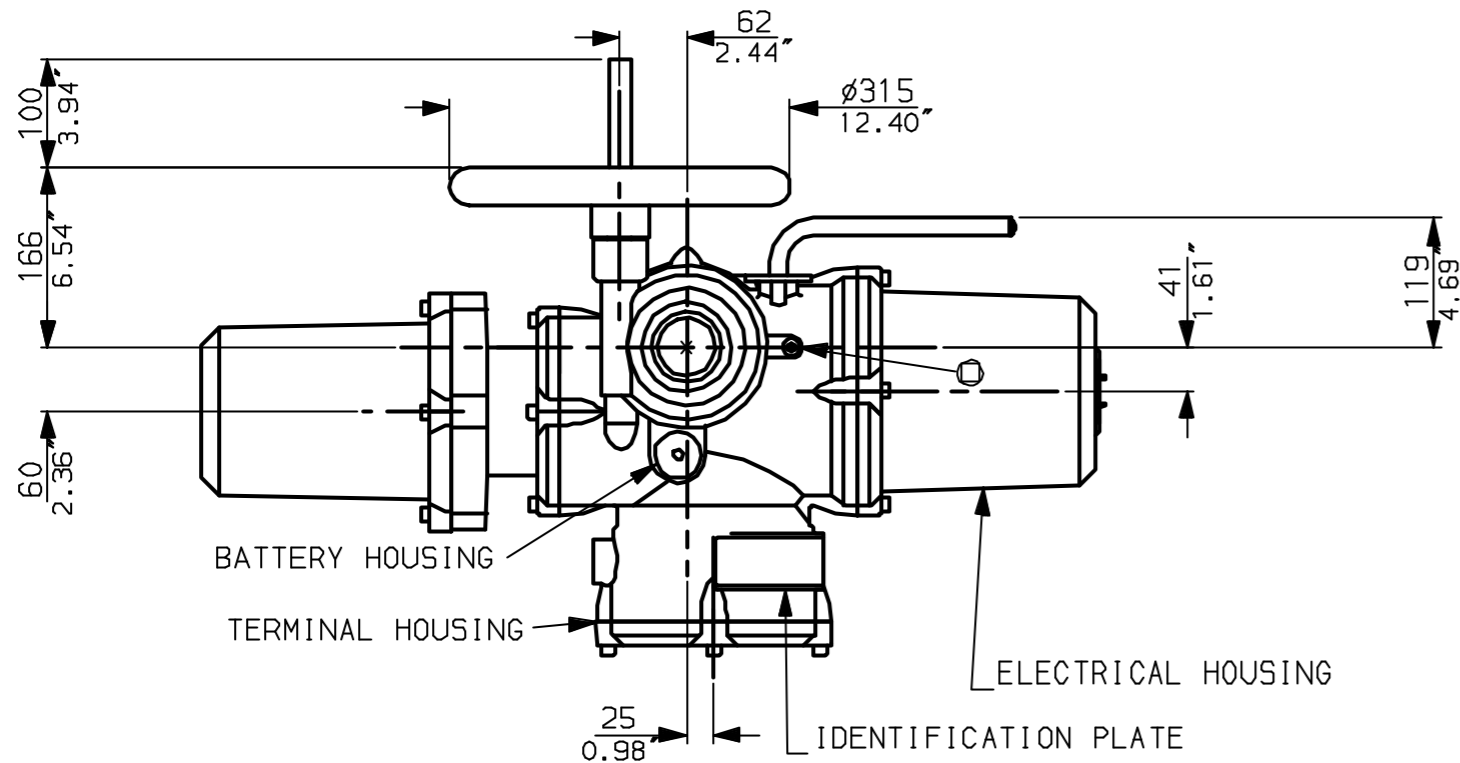
Rotork Controls Inc.
Rochester, NY 14624
(Phone 585-328-1550)

Title IQD20, THW, IB11,		
STANDARD DIMENSIONAL DATA		
Drawn CAD	Checked PRE	Ref Data Sheet
Date April 04	Job No	IQD20THW_IB11

01	First Issue.
Scale	1:7 THIRD ANGLE PROJECTION
Drawing Number	IQD20THW_IB11

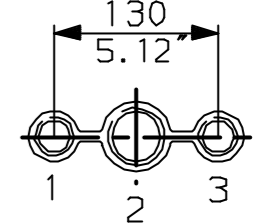
1 2 3 4 5 6 7 8 9 10

G
F
E
D
C
B
A

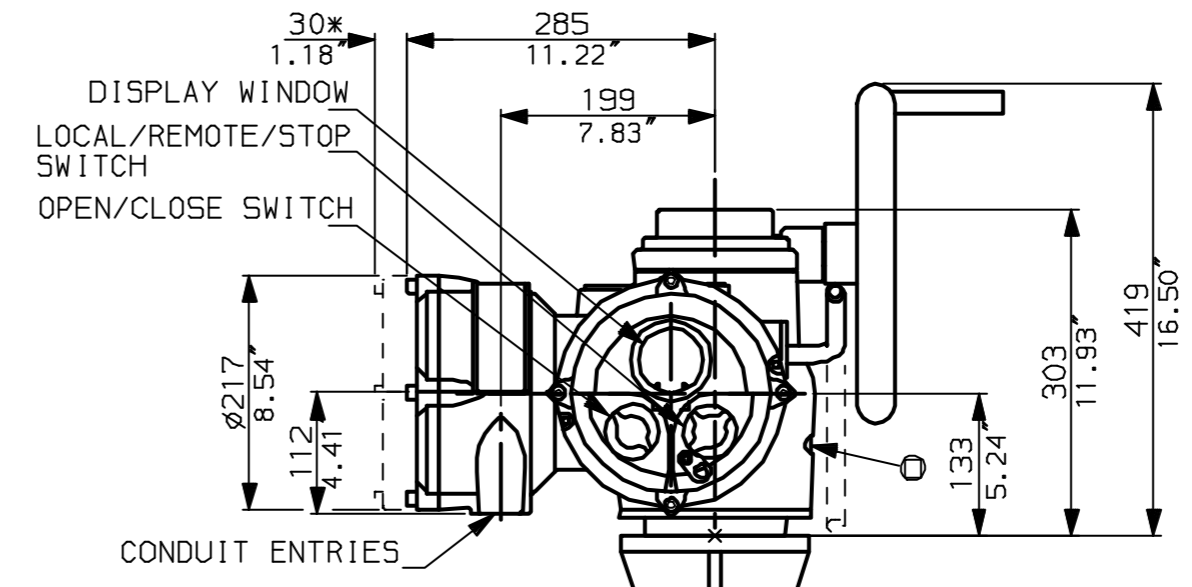
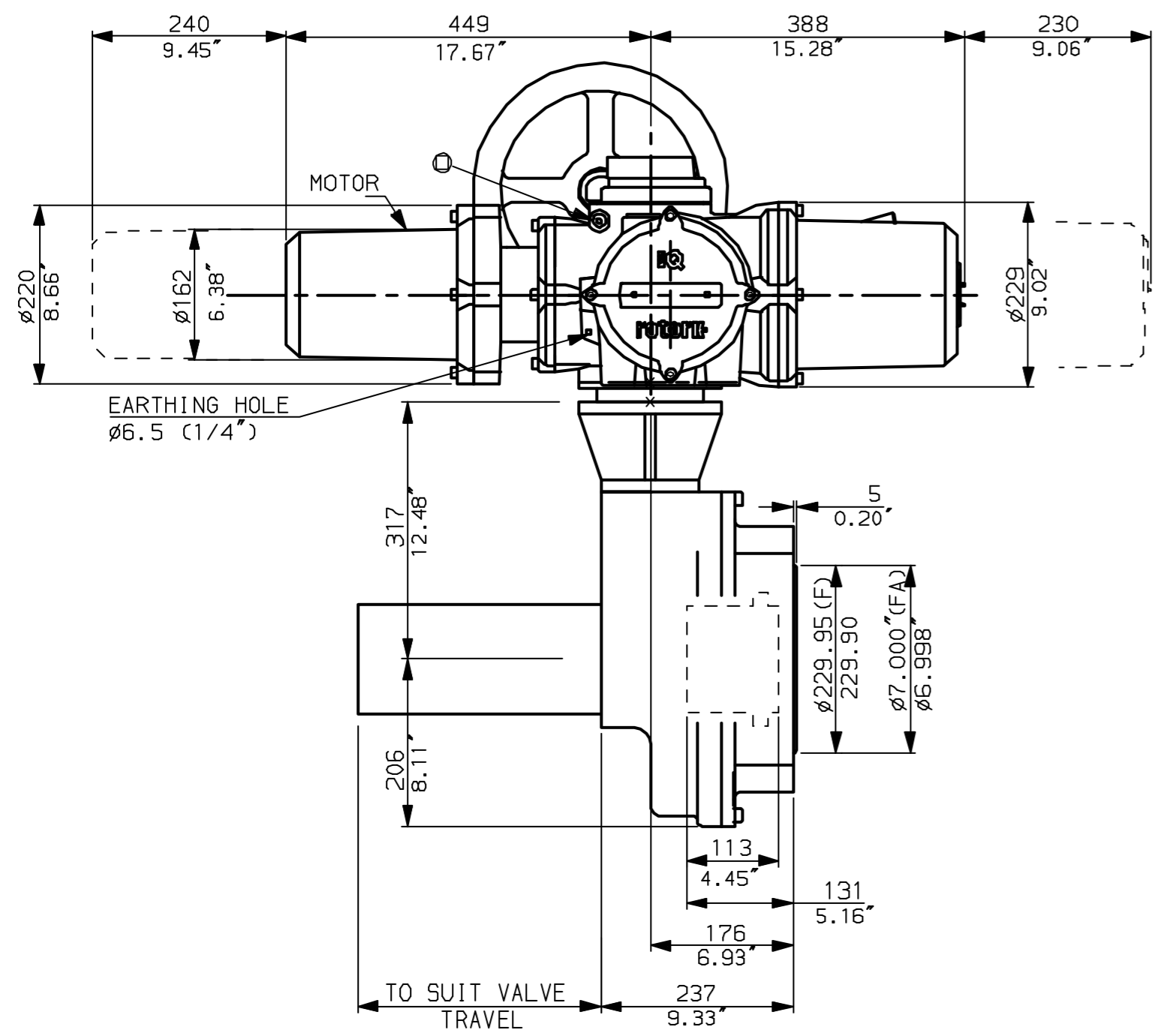


NOTES:
DIMENSIONS WITH '*' INDICATE COVER REMOVAL ALLOWANCE
NETT WEIGHT = 178kg (392lbs)
○ = OIL FILLER/DRAIN PLUG
THE INTERFACE PROVIDED FOR MOUNTING THE ACTUATOR OR SECOND STAGE GEARBOX ONTO THE VALVE SHOULD CONFORM TO GOOD ENGINEERING PRACTICES, ENSURING ADEQUATELY TOLERANCED LIMITS FOR PARALLELISM, PERPENDICULARITY AND CONCENTRICITY.

CONDUIT ENTRIES (N.T.S)

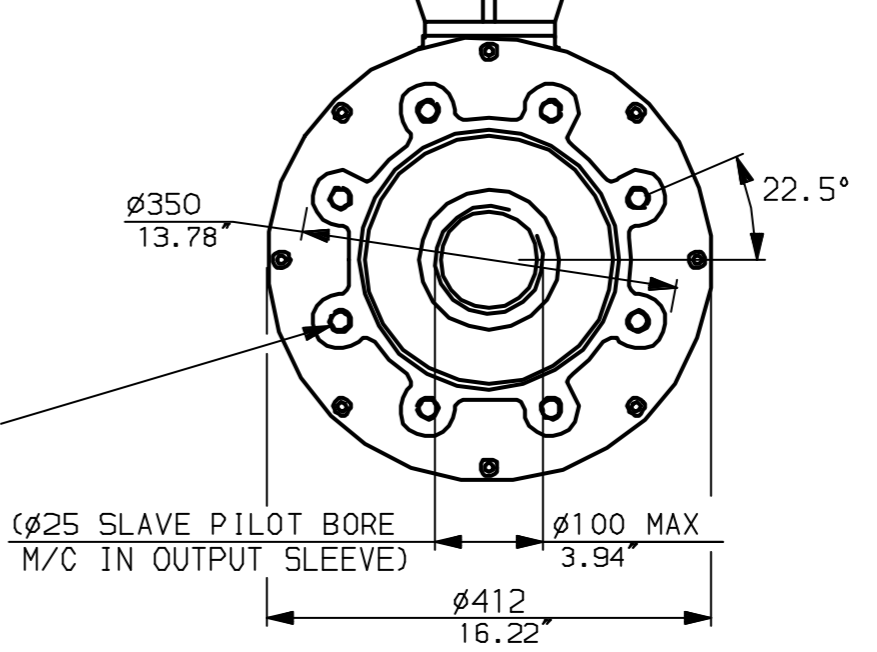


Nos.1 & 3 TAPPED 1" NPT
No.2 TAPPED 1 1/2" NPT
STD ALTERNATIVES IF SPECIFIED
2 X M25, 1 X M40
2 X PG16, 1 X PG29



"F" version
8 HOLES TAPPED M20x25 DP
EQUI-SPACED ON A 298 PCD
(ISO5210 F30)

"FA" version
8 HOLES TAPPED 3/4" UNC
x1" dp EQUI-SPACED ON A
11.75" PCD (MSS SP102-FA30)



Rotork Controls Ltd.
Bath England, BA1 3JQ.
(Phone 01225-733200)

Rotork Controls Inc.
Rochester, NY 14624
(Phone 585-328-1550)

Title IQD20, SHW, IB11,		
STANDARD DIMENSIONAL DATA		
Drawn CAD	Checked PRE	Ref Data Sheet
Date April 04	Job No	IQD20SHW_IB11

01	First Issue.
Scale	1:7 THIRD ANGLE PROJECTION
Drawing Number	IQD20SHW_IB11

1 | 2 | 3 | 4 | 5 | 6 | 7 | 8 | 9 | 10