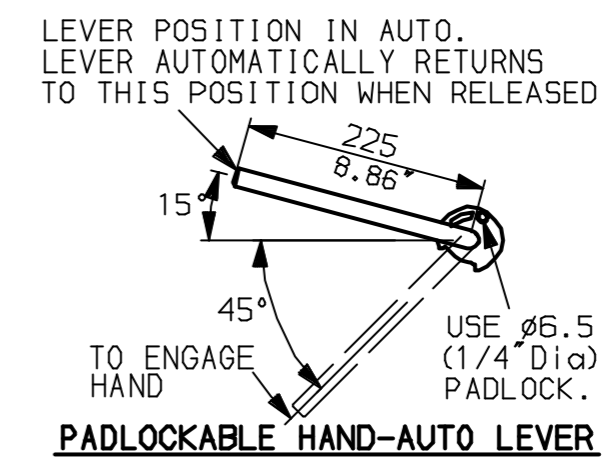
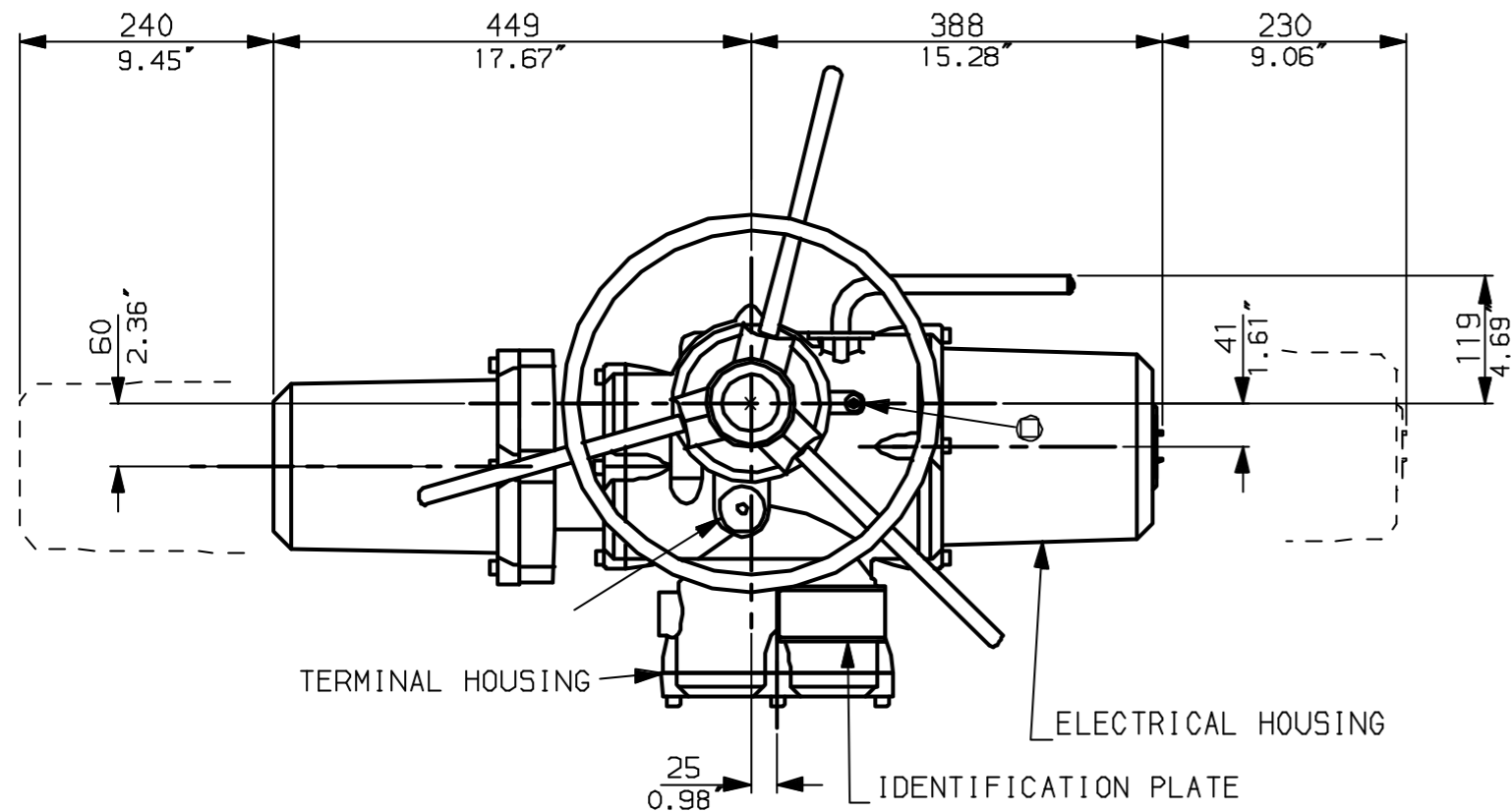
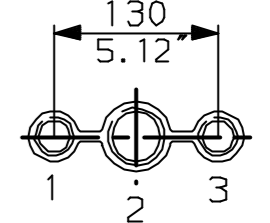


G
F
E
D
C
B
A

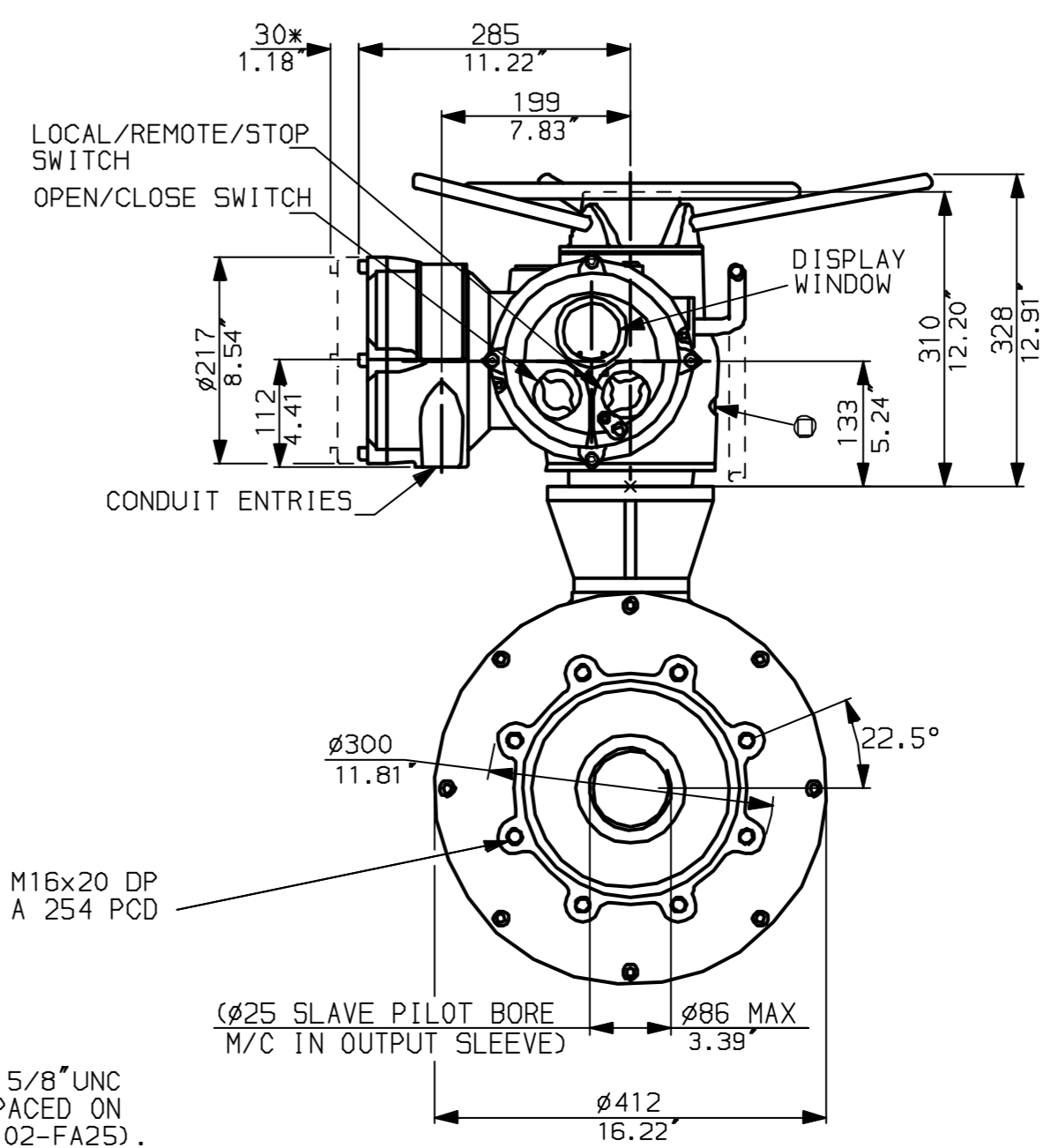
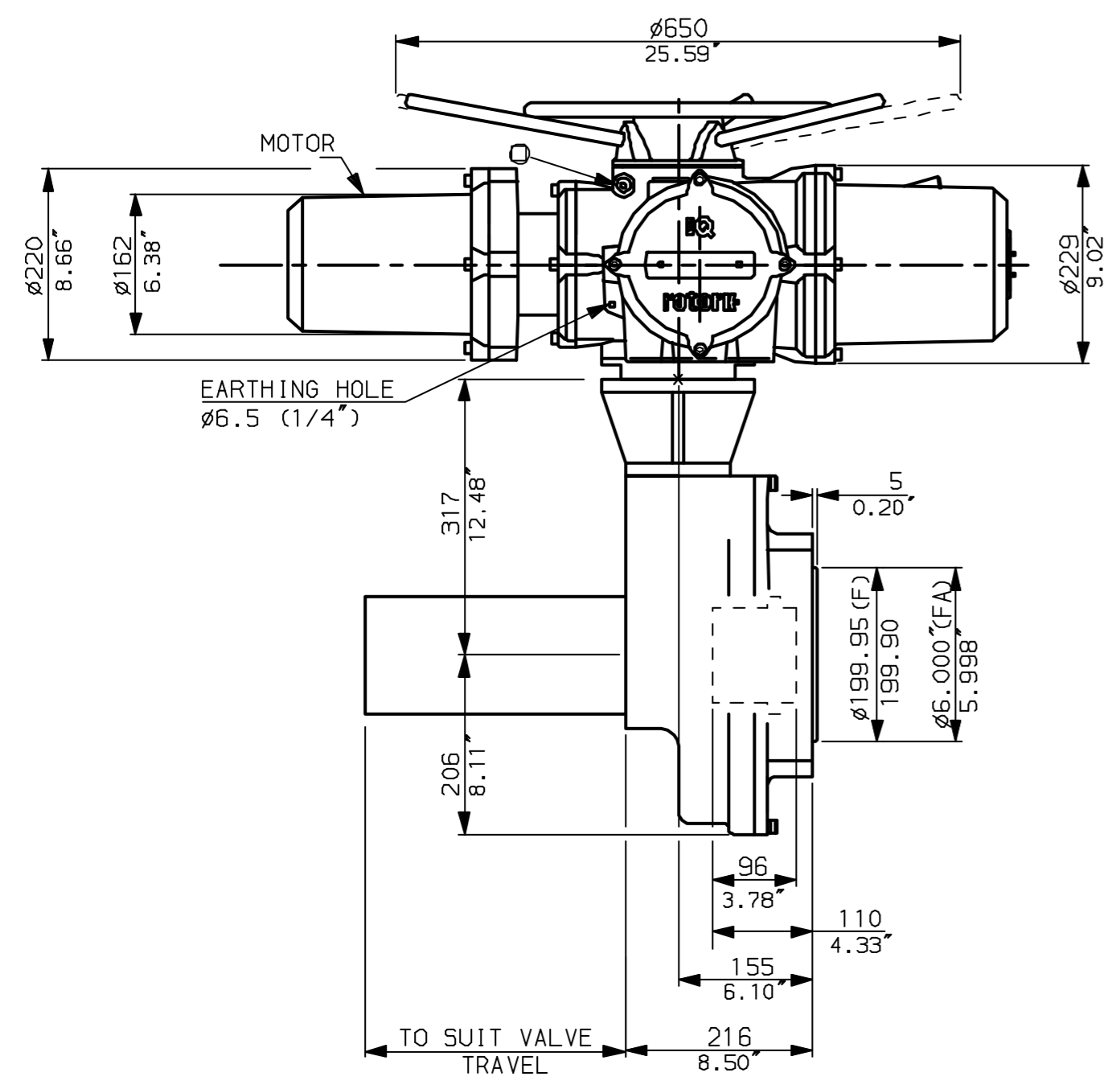


NOTES:
 DIMENSIONS WITH '' INDICATE COVER REMOVAL ALLOWANCE
 :NETT WEIGHT = 158kg (348lbs)
 : ϕ = OIL FILLER/DRAIN PLUG
 :THE INTERFACE PROVIDED FOR MOUNTING THE ACTUATOR OR SECOND STAGE GEARBOX ONTO THE VALVE SHOULD CONFORM TO GOOD ENGINEERING PRACTICES, ENSURING ADEQUATELY TOLERANCED LIMITS FOR PARALLELISM, PERPENDICULARITY AND CONCENTRICITY.

CONDUIT ENTRIES (N.T.S)



Nos.1 & 3 TAPPED 1" NPT
 No.2 TAPPED 1 1/2" NPT
 STD ALTERNATIVES IF SPECIFIED
 2 X M25, 1 X M40
 2 X PG16, 1 X PG29



"F" version
 8 HOLES TAPPED M16x20 DP
 EQUI-SPACED ON A 254 PCD
 (IS05210 F25)

"FA" version
 8 HOLES TAPPED 5/8"UNC
 x0.8" dp EQUI-SPACED ON
 10"PCD (MSS SP102-FA25).



Rotork Controls Ltd.
 Bath England, BA1 3JQ.
 (Phone 01225-733200)

Rotork Controls Inc.
 Rochester, NY 14624
 (Phone 585-328-1550)

Title IQD20, THW, IB10,		
STANDARD DIMENSIONAL DATA		
Drawn CAD	Checked PRE	Ref Data Sheet
Date April 04	Job No	IQD20THW_IB10

01	First Issue.
Scale	1:7 THIRD ANGLE PROJECTION
Drawing Number	IQD20THW_IB10

1 | 2 | 3 | 4 | 5 | 6 | 7 | 8 | 9 | 10

