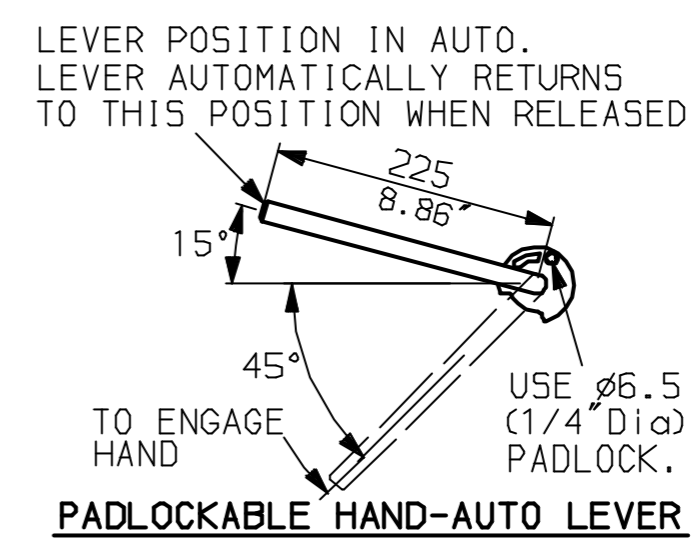
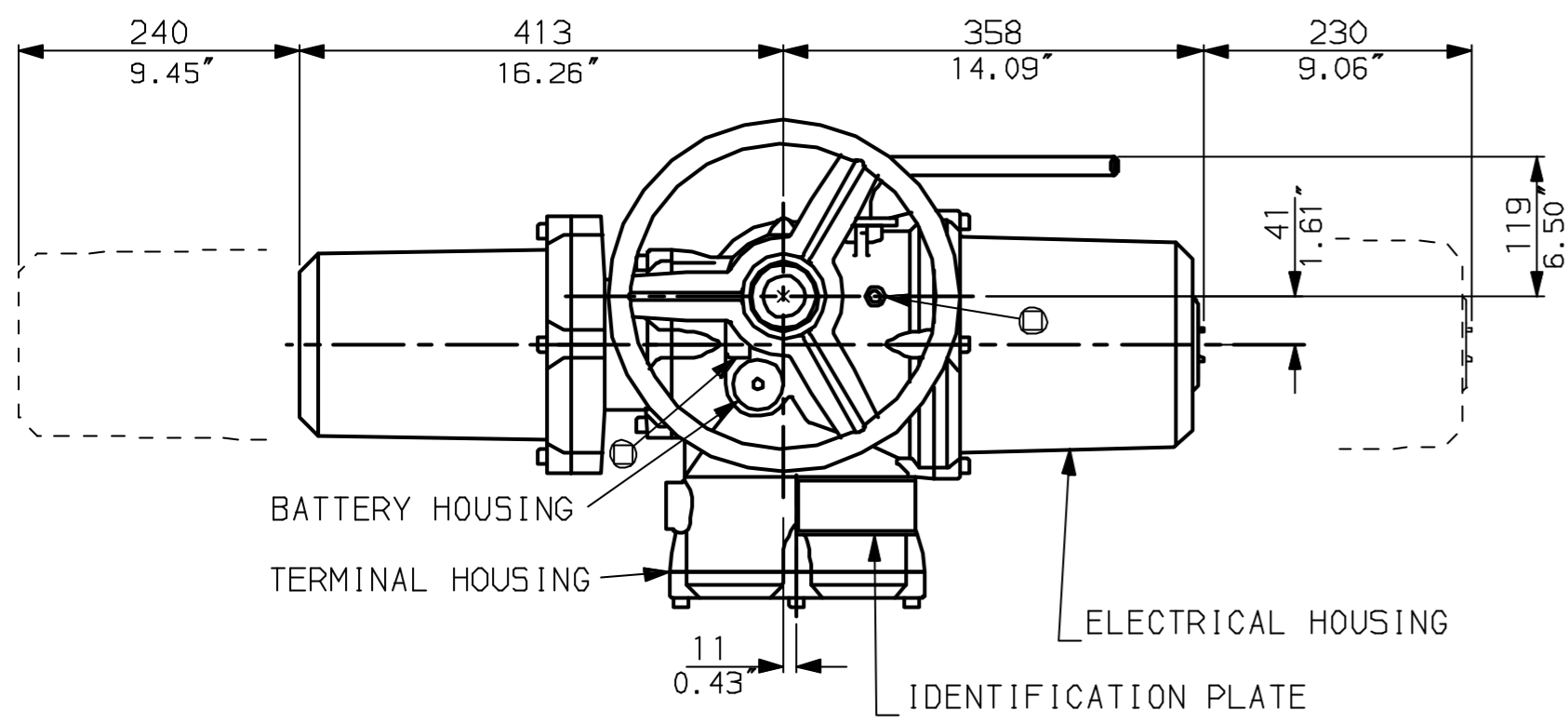
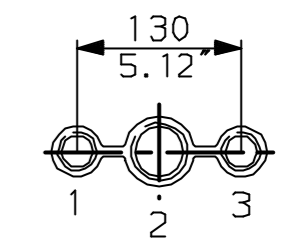


G  
F  
E  
D  
C  
B  
A

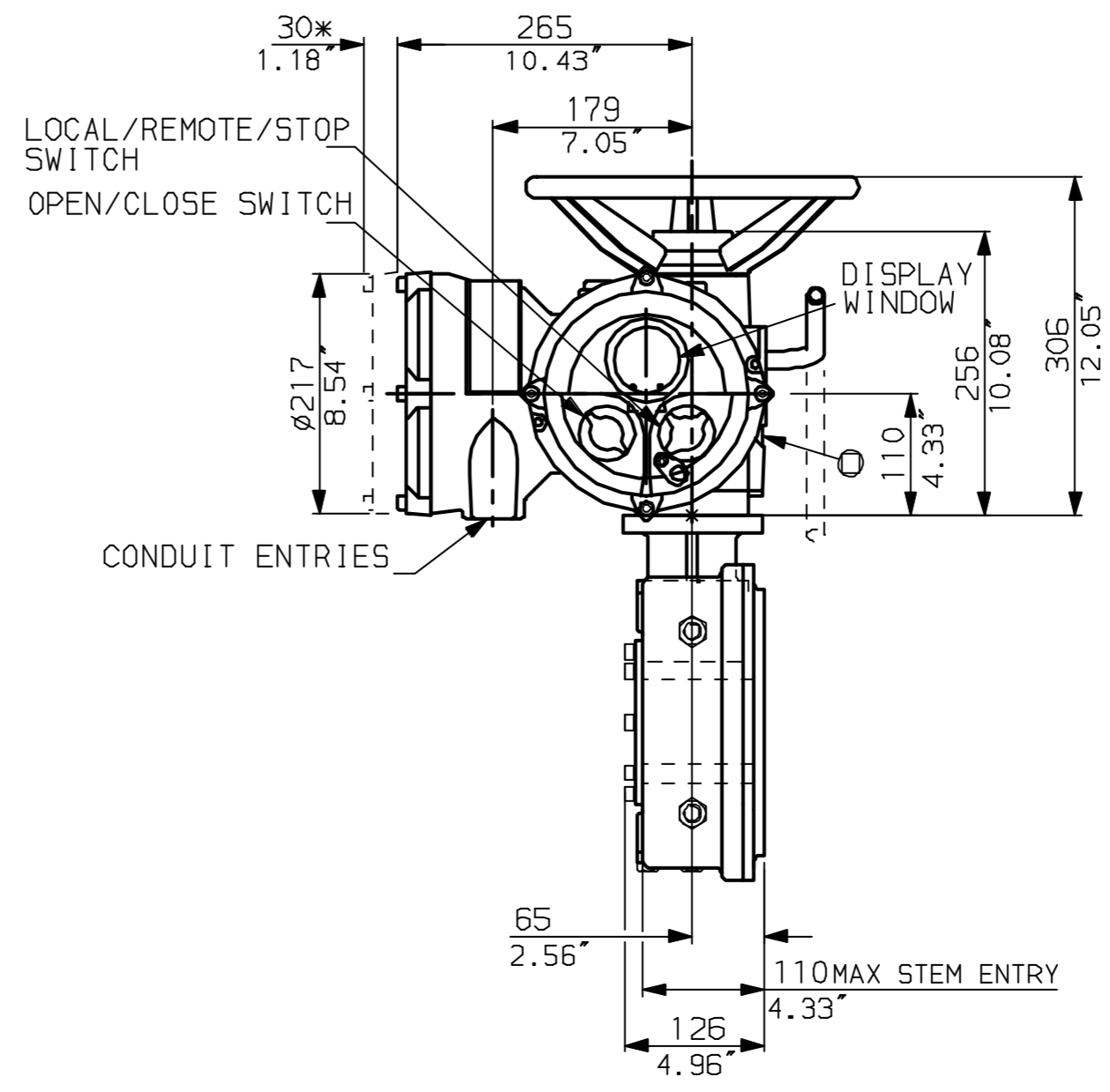
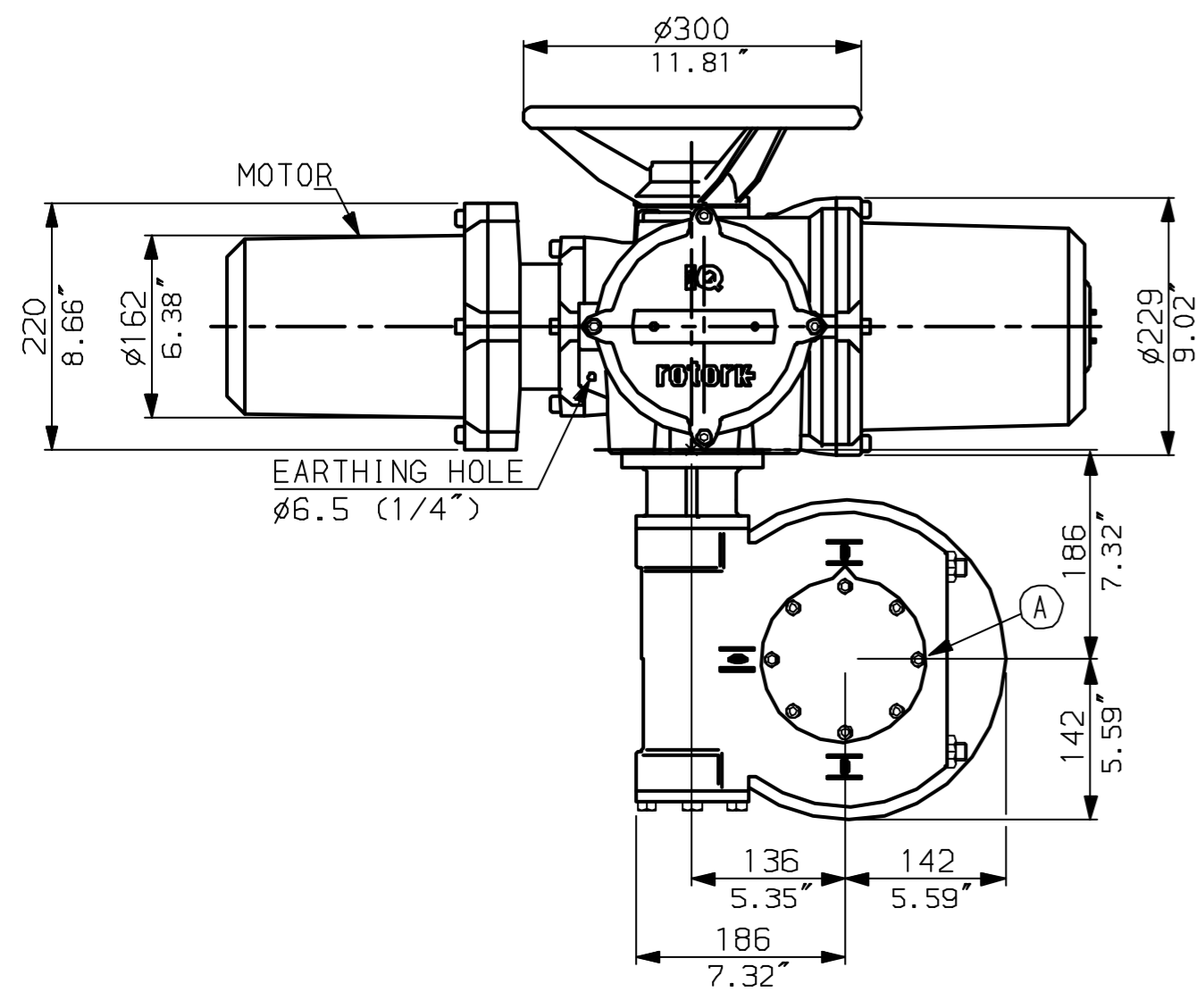


NOTES:  
DIMENSIONS WITH '\*' INDICATE  
COVER REMOVAL ALLOWANCE  
NETT WEIGHT = 88kg (194lbs)  
OIL FILLER/DRAIN PLUG  
THE INTERFACE PROVIDED FOR MOUNTING THE  
ACTUATOR OR SECOND STAGE GEARBOX ONTO THE  
VALVE SHOULD CONFORM TO GOOD ENGINEERING  
PRACTICES, ENSURING ADEQUATELY TOLERANCED  
LIMITS FOR PARALLELISM, PERPENDICULARITY  
AND CONCENTRICITY.

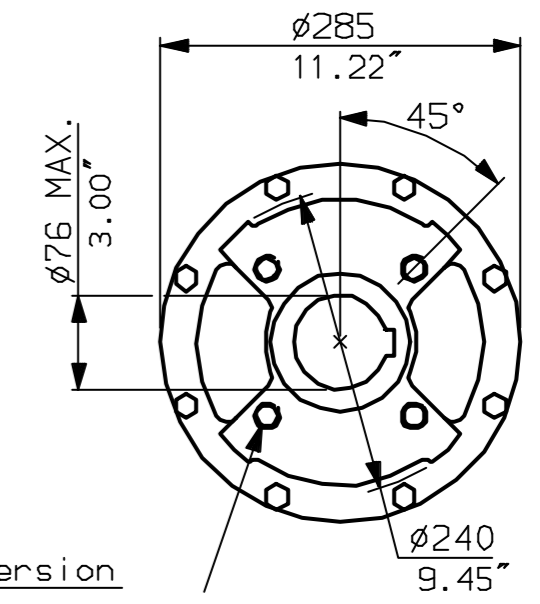
**CONDUIT ENTRIES** (N.T.S)



Nos.1 & 3 TAPPED 1" NPT  
No.2 TAPPED 1 1/2" NPT  
STD ALTERNATIVES IF SPECIFIED  
2 X M25, 1 X M40  
2 X PG16, 1 X PG29



N.B. KEYWAY POS. CAN BE MOVED  
45° STEPS BY REMOVING 8 SCREWS  
MARKED (A) AND ROTATING OUTPUT  
SLEEVE.



"F" version  
4 HOLES TAPPED M20 x 16 DP  
EQUI-SPACED AS SHOWN ON A  
165 PCD (150 5211-F16).

"FA" version  
4 HOLES TAPPED 3/4" UNC x 0.63" dp  
EQUI-SPACED AS SHOWN ON A  
6.5" PCD (M55 SP101-FA16).



Rotork Controls Ltd.  
Bath England, BA1 3JQ.  
(Phone 01225-733200)

Rotork Controls Inc.  
Rochester, NY 14624  
(Phone 585-328-1550)

Title IQD10, 12, 18, THW, IW5 (52),  
STANDARD DIMENSIONAL DATA

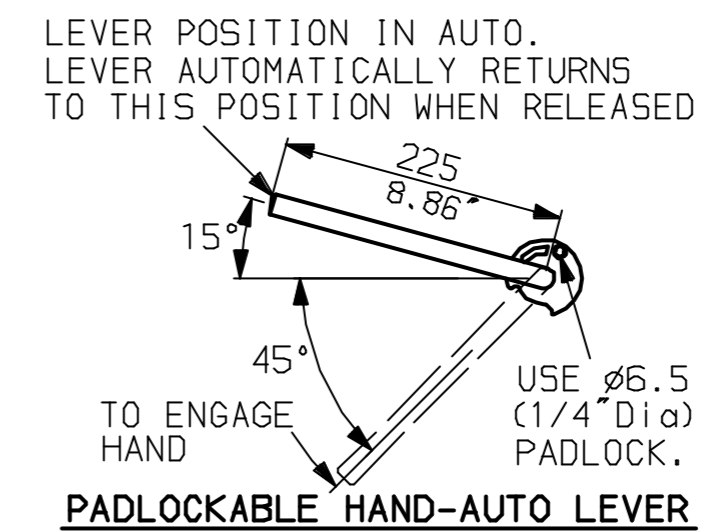
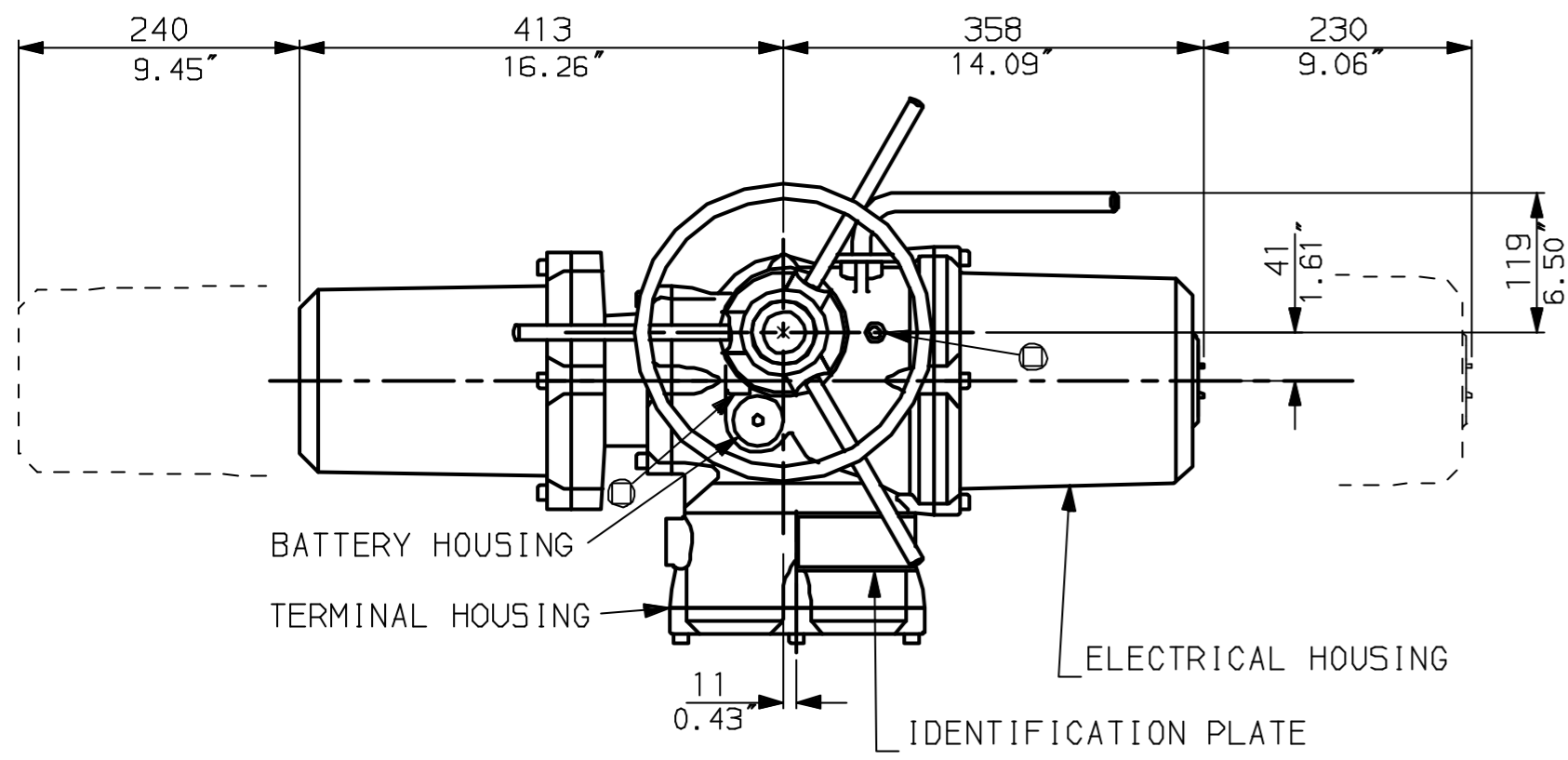
Drawn CAD Checked PRE Ref Data Sheet

Date April 04 Job No IQD1THW\_IW5

01	First Issue.
Scale	1:6 THIRD ANGLE PROJECTION
Drawing Number	IQD1THW_IW5

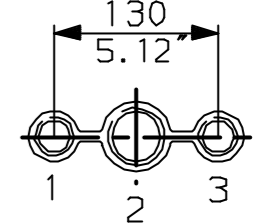
1 2 3 4 5 6 7 8 9 10

G  
F  
E  
D  
C  
B  
A

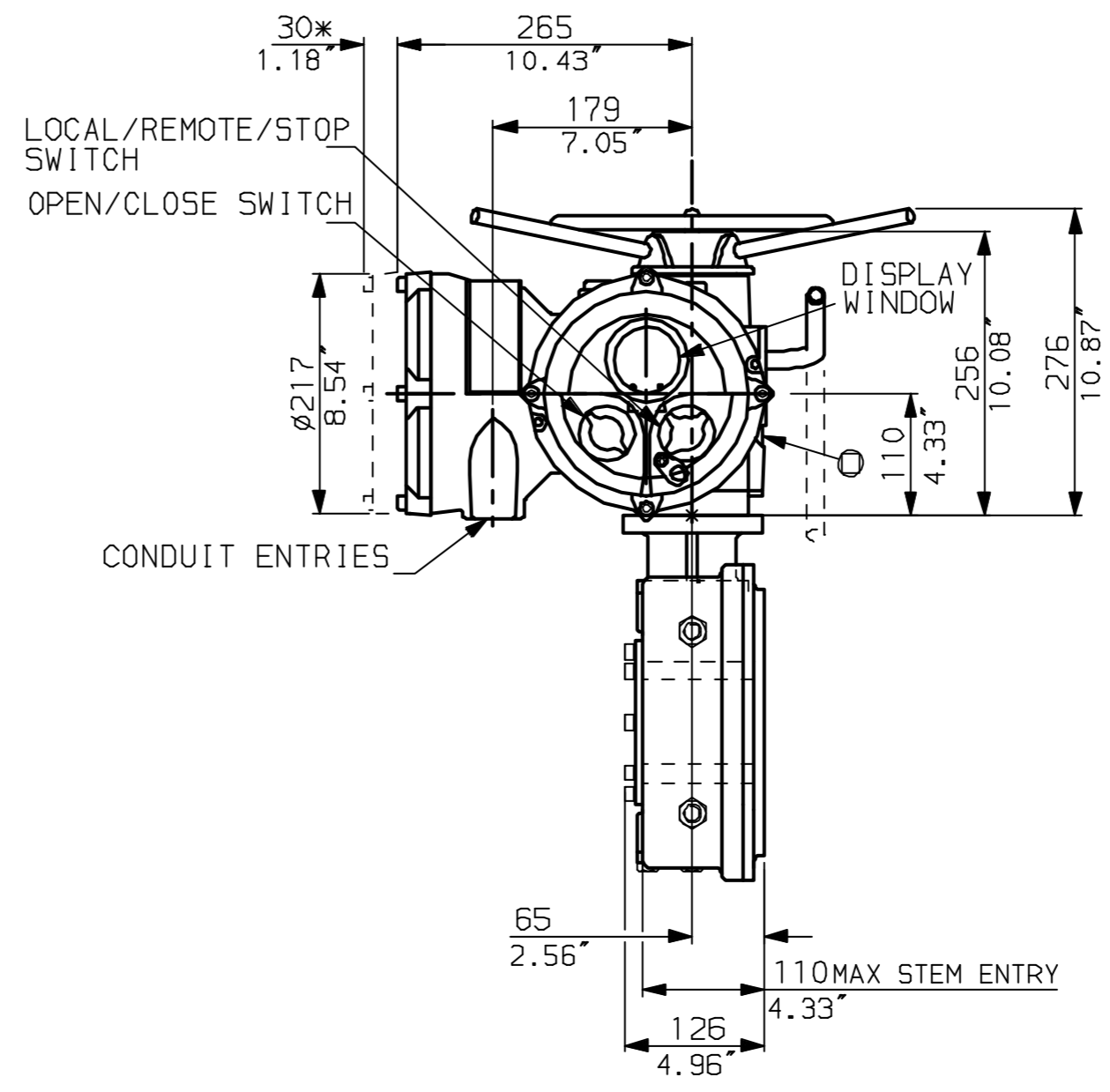
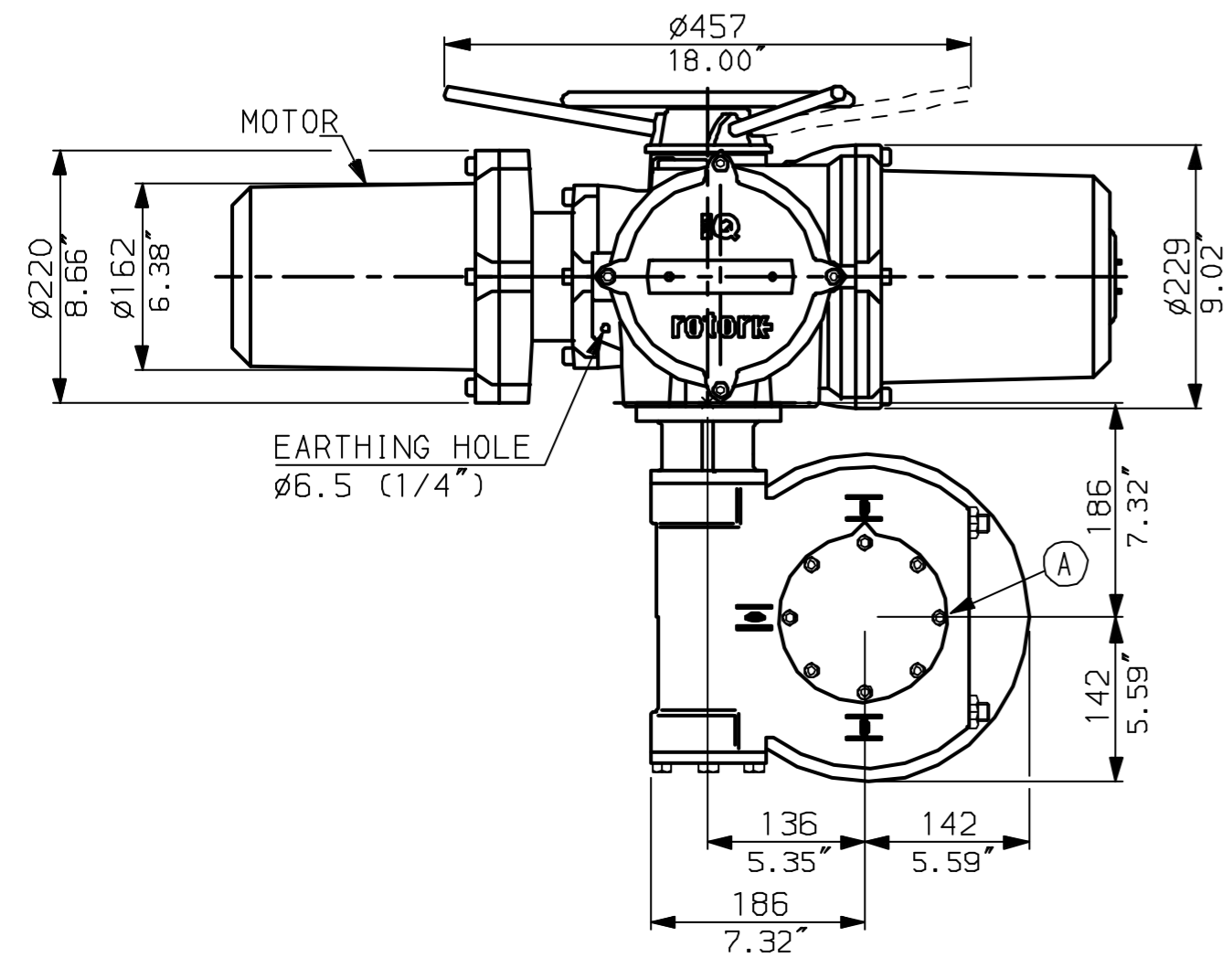


NOTES:  
 \* DIMENSIONS WITH '\*' INDICATE COVER REMOVAL ALLOWANCE  
 : NETT WEIGHT = 88kg (194lbs)  
 :  $\odot$  = OIL FILLER/DRAIN PLUG  
 : THE INTERFACE PROVIDED FOR MOUNTING THE ACTUATOR OR SECOND STAGE GEARBOX ONTO THE VALVE SHOULD CONFORM TO GOOD ENGINEERING PRACTICES, ENSURING ADEQUATELY TOLERANCED LIMITS FOR PARALLELISM, PERPENDICULARITY AND CONCENTRICITY.

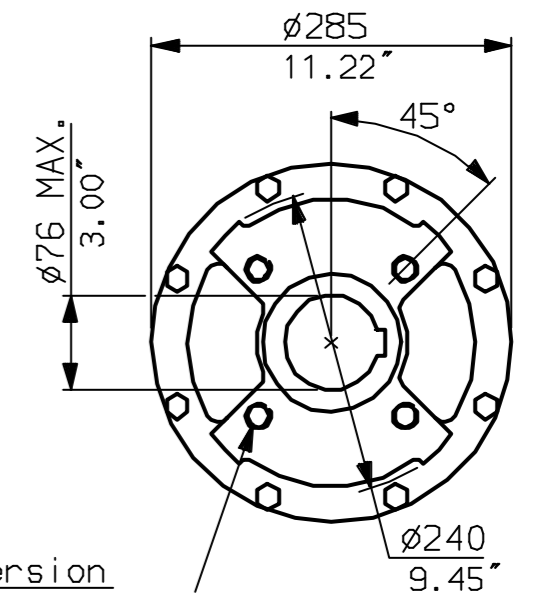
**CONDUIT ENTRIES** (N.T.S)



Nos.1 & 3 TAPPED 1" NPT  
 No.2 TAPPED 1 1/2" NPT  
 STD ALTERNATIVES IF SPECIFIED  
 2 X M25, 1 X M40  
 2 X PG16, 1 X PG29



N.B. KEYWAY POS. CAN BE MOVED 45° STEPS BY REMOVING 8 SCREWS MARKED (A) AND ROTATING OUTPUT SLEEVE.



"F" version  
 4 HOLES TAPPED M20 x 16 DP EQUI-SPACED AS SHOWN ON A 165 PCD (ISO 5211-F16).  
 "FA" version  
 4 HOLES TAPPED 3/4" UNC x 0.63" dp EQUI-SPACED AS SHOWN ON A 6.5" PCD (MSS SP101-FA16).



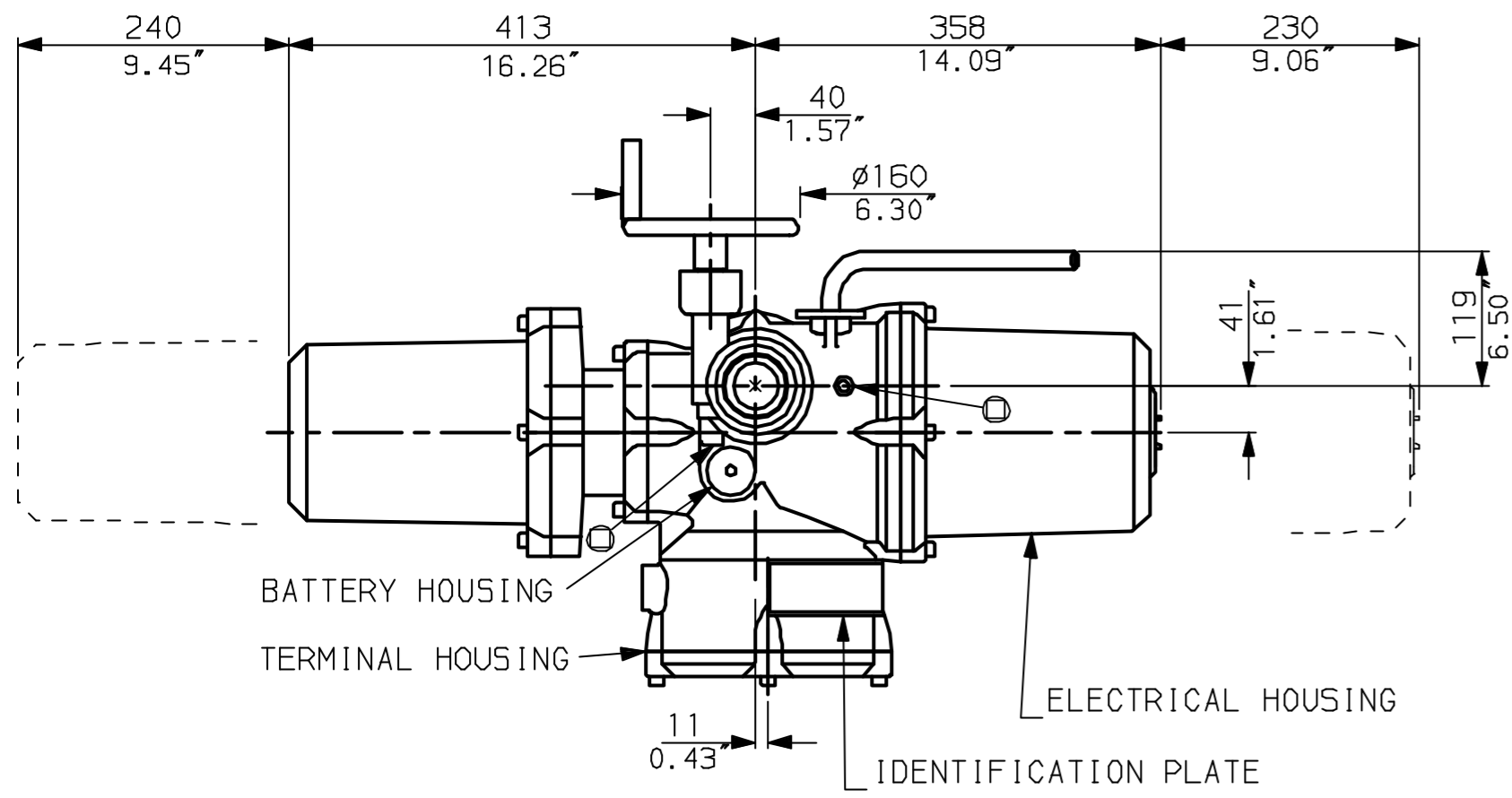
Rotork Controls Ltd.  
 Bath England, BA1 3JQ.  
 (Phone 01225-733200)  
 Rotork Controls Inc.  
 Rochester, NY 14624  
 (Phone 585-328-1550)

Title IQD10, 12, 18, LTHW, IW5 (52),		
STANDARD DIMENSIONAL DATA		
Drawn CAD	Checked PRE	Ref Data Sheet
Date April 04	Job No IQD1LTHW_IWS	

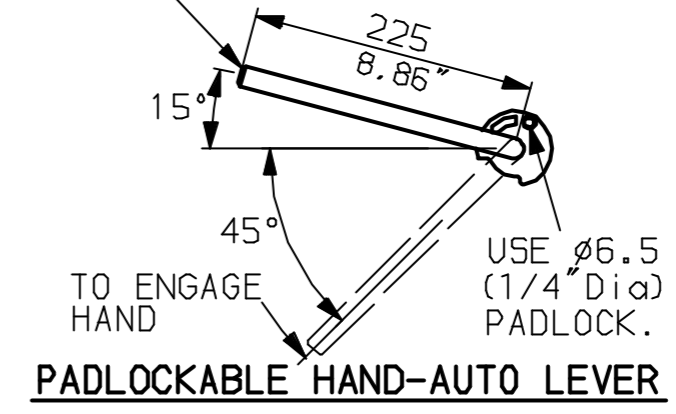
01	First Issue.
Scale 1:6	THIRD ANGLE PROJECTION
Drawing Number	IQD1LTHW_IWS

1 | 2 | 3 | 4 | 5 | 6 | 7 | 8 | 9 | 10

G  
F  
E  
D  
C  
B  
A

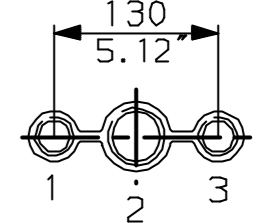


LEVER POSITION IN AUTO.  
LEVER AUTOMATICALLY RETURNS  
TO THIS POSITION WHEN RELEASED

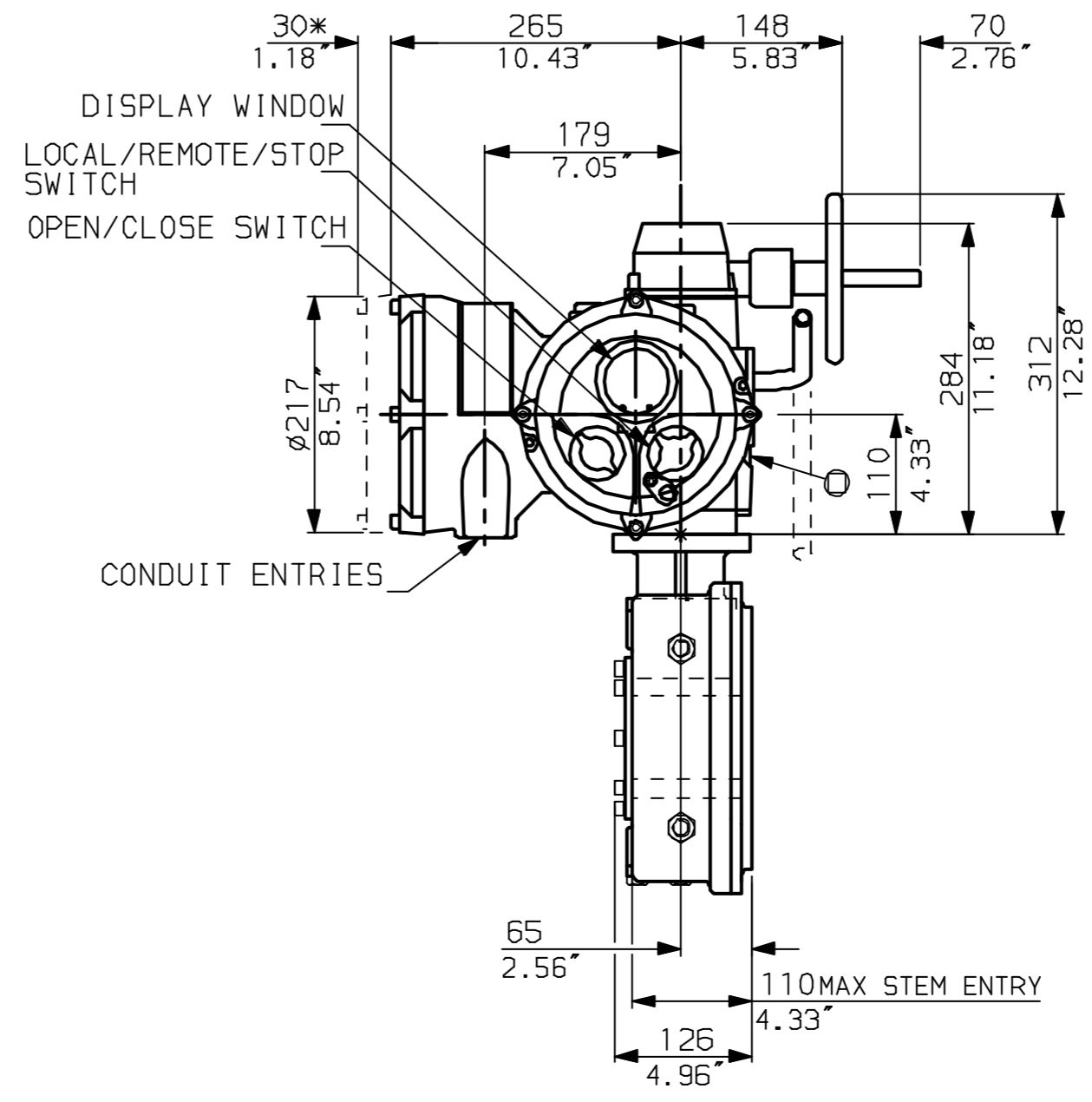
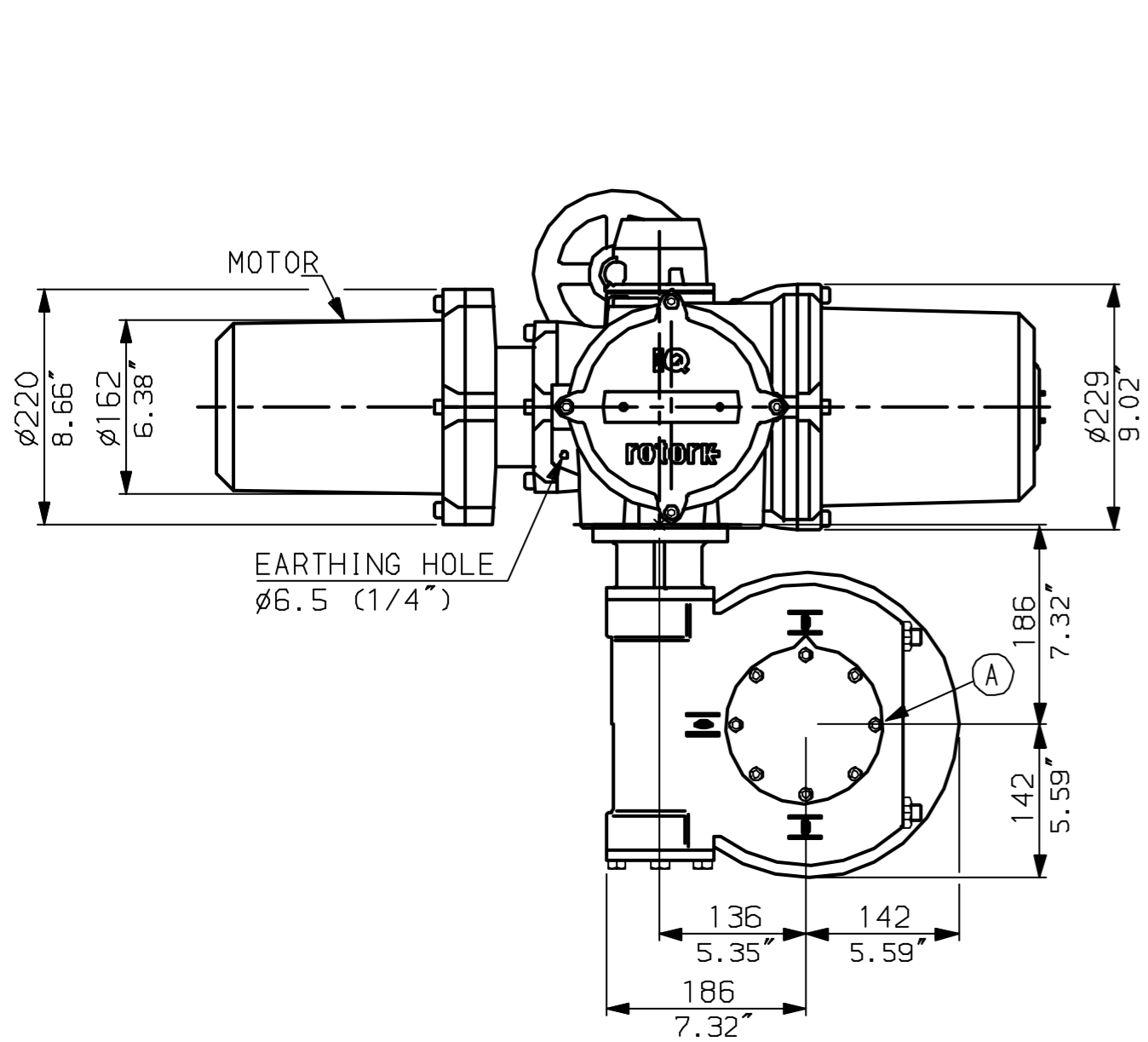


NOTES:  
DIMENSIONS WITH '\*' INDICATE COVER REMOVAL ALLOWANCE  
NETT WEIGHT = 88kg (194lbs)  
= OIL FILLER/DRAIN PLUG  
THE INTERFACE PROVIDED FOR MOUNTING THE ACTUATOR OR SECOND STAGE GEARBOX ONTO THE VALVE SHOULD CONFORM TO GOOD ENGINEERING PRACTICES, ENSURING ADEQUATELY TOLERANCED LIMITS FOR PARALLELISM, PERPENDICULARITY AND CONCENTRICITY.

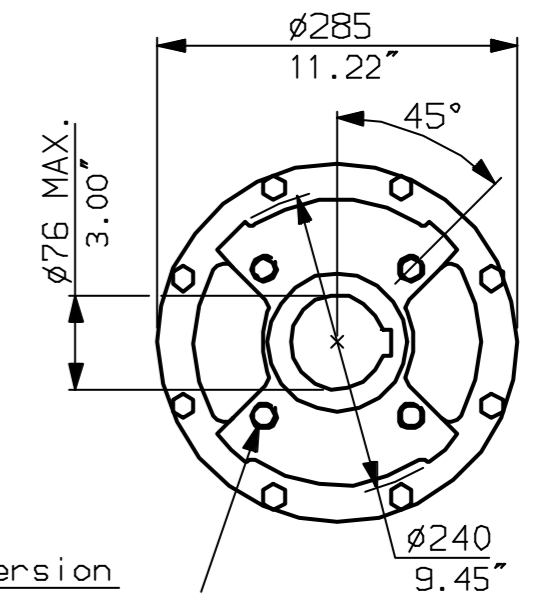
**CONDUIT ENTRIES** (N.T.S)



Nos.1 & 3 TAPPED 1" NPT  
No.2 TAPPED 1 1/2" NPT  
STD ALTERNATIVES IF SPECIFIED  
2 X M25, 1 X M40  
2 X PG16, 1 X PG29



N.B. KEYWAY POS. CAN BE MOVED 45° STEPS BY REMOVING 8 SCREWS MARKED (A) AND ROTATING OUTPUT SLEEVE.



"F" version  
4 HOLES TAPPED M20 x 16 DP  
EQUI-SPACED AS SHOWN ON A  
165 PCD (150 5211-F16).  
"FA" version  
4 HOLES TAPPED 3/4" UNC x 0.63" dp  
EQUI-SPACED AS SHOWN ON A  
6.5" PCD (MSS SP101-FA16).



Rotork Controls Ltd.  
Bath England, BA1 3JQ.  
(Phone 01225-733200)  
Rotork Controls Inc.  
Rochester, NY 14624  
(Phone 585-328-1550)

Title IQD10, 12, 18, SHW, IW5 (52),		
STANDARD DIMENSIONAL DATA		
Drawn CAD	Checked PRE	Ref Data Sheet
Date April 04	Job No IQD1SHW_IW5	

01	First Issue.
Scale 1:6	THIRD ANGLE PROJECTION
Drawing Number	IQD1SHW_IW5

1 | 2 | 3 | 4 | 5 | 6 | 7 | 8 | 9 | 10