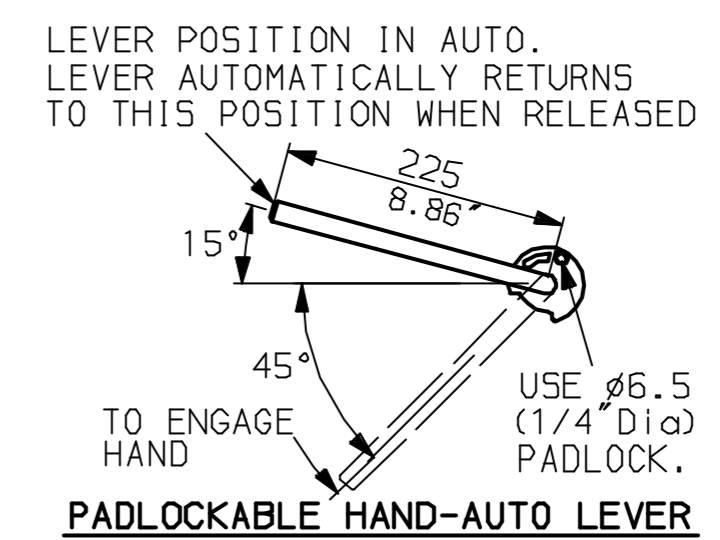
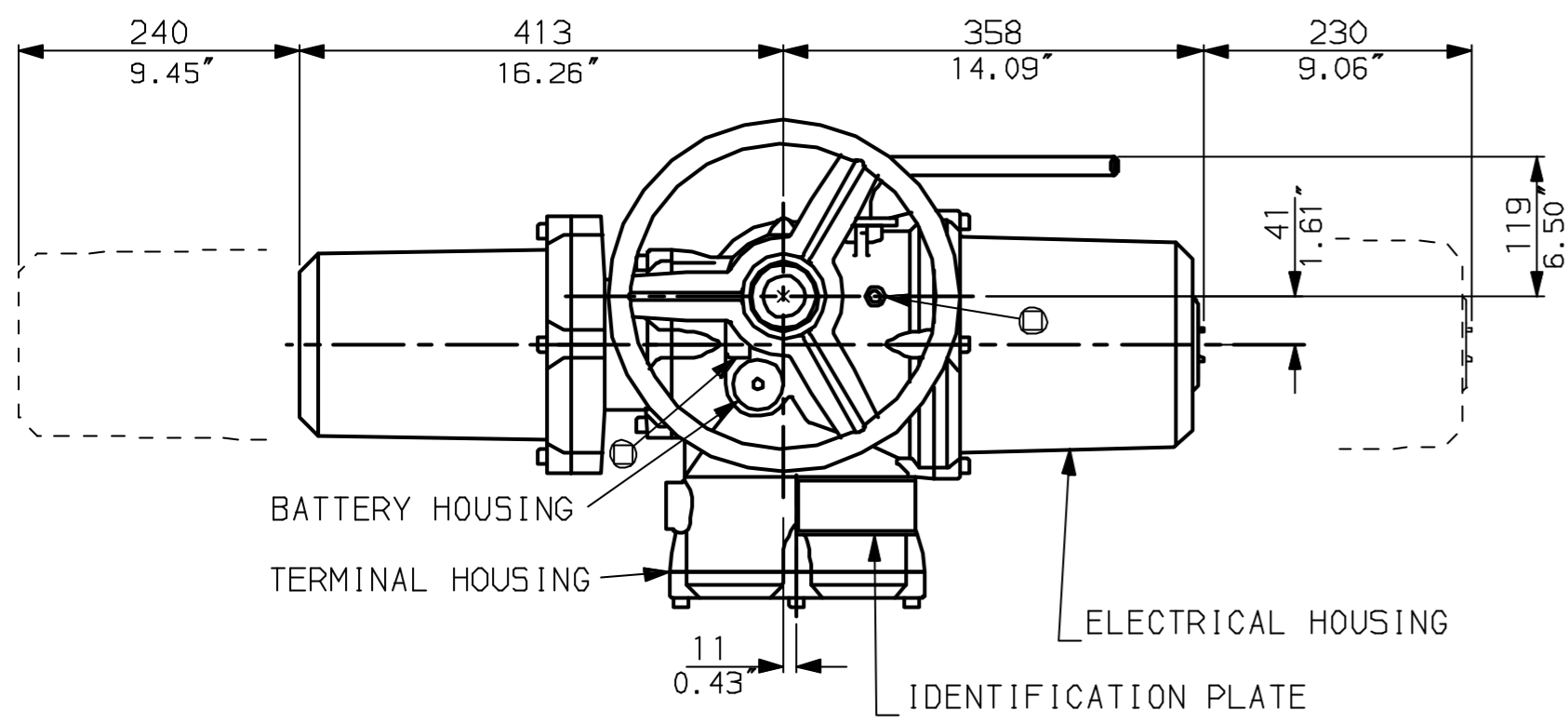
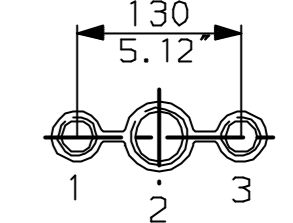


G
F
E
D
C
B
A

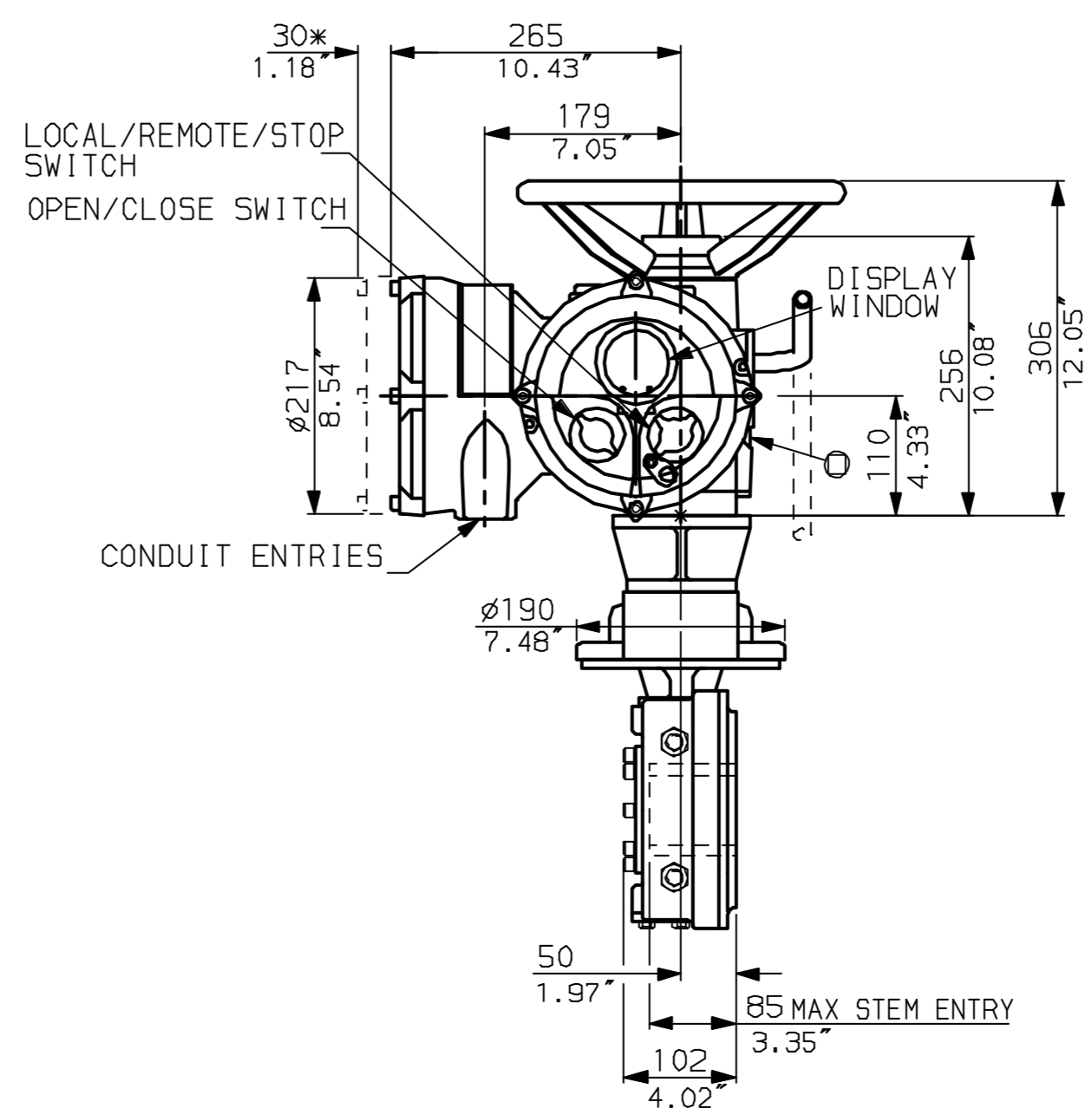
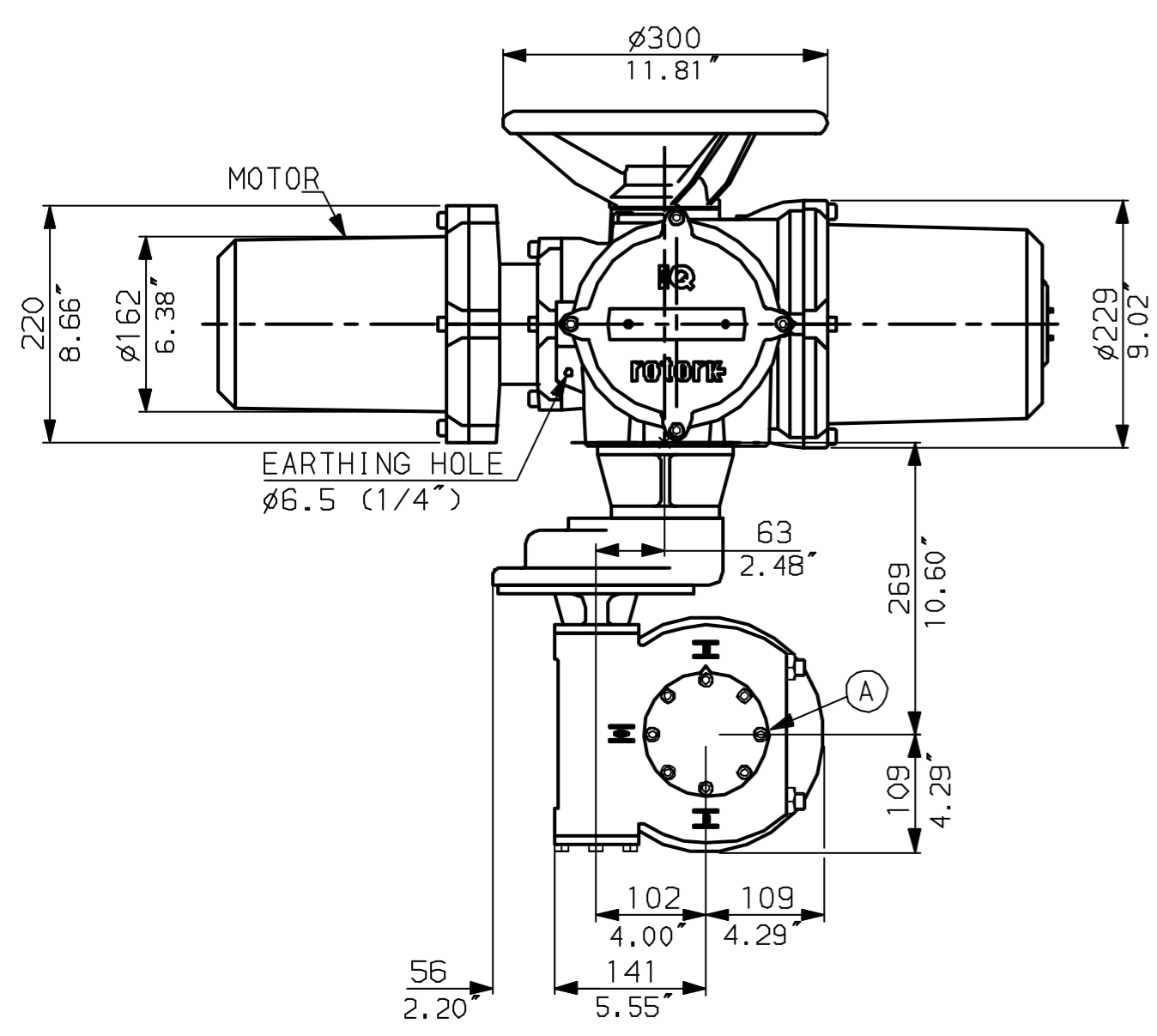


NOTES:
DIMENSIONS WITH '*' INDICATE COVER REMOVAL ALLOWANCE
NETT WEIGHT = 73kg (161lbs)
OIL FILLER/DRAIN PLUG
THE INTERFACE PROVIDED FOR MOUNTING THE ACTUATOR OR SECOND STAGE GEARBOX ONTO THE VALVE SHOULD CONFORM TO GOOD ENGINEERING PRACTICES, ENSURING ADEQUATELY TOLERANCED LIMITS FOR PARALLELISM, PERPENDICULARITY AND CONCENTRICITY.

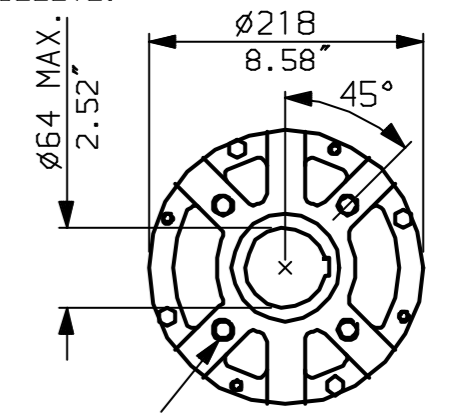
CONDUIT ENTRIES (N.T.S)



Nos.1 & 3 TAPPED 1" NPT
No.2 TAPPED 1 1/2" NPT
STD ALTERNATIVES IF SPECIFIED
2 X M25, 1 X M40
2 X PG16, 1 X PG29



N.B. KEYWAY POS. CAN BE MOVED 90 OR 180° BY REMOVING 8 SCREWS MARKED (A) AND ROTATING OUTPUT SLEEVE.



"F" version
4 HOLES TAPPED M16 x 16 DP
EQUI-SPACED AS SHOWN ON A
140 PCD (ISO 5211-F14).

"FA" version
4 HOLES TAPPED 5/8" UNC x 0.63" dp
EQUI-SPACED AS SHOWN ON A
5.5" PCD (MSS SP101-FA14).



Rotork Controls Ltd.
Bath England, BA1 3JQ.
(Phone 01225-733200)

Rotork Controls Inc.
Rochester, NY 14624
(Phone 585-328-1550)

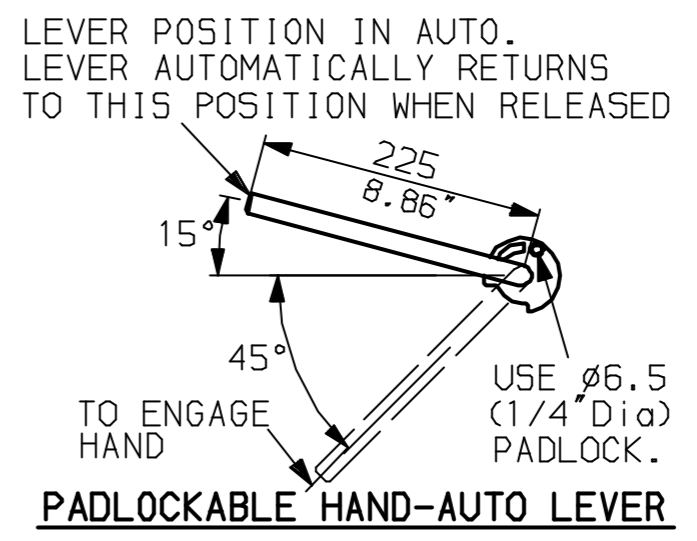
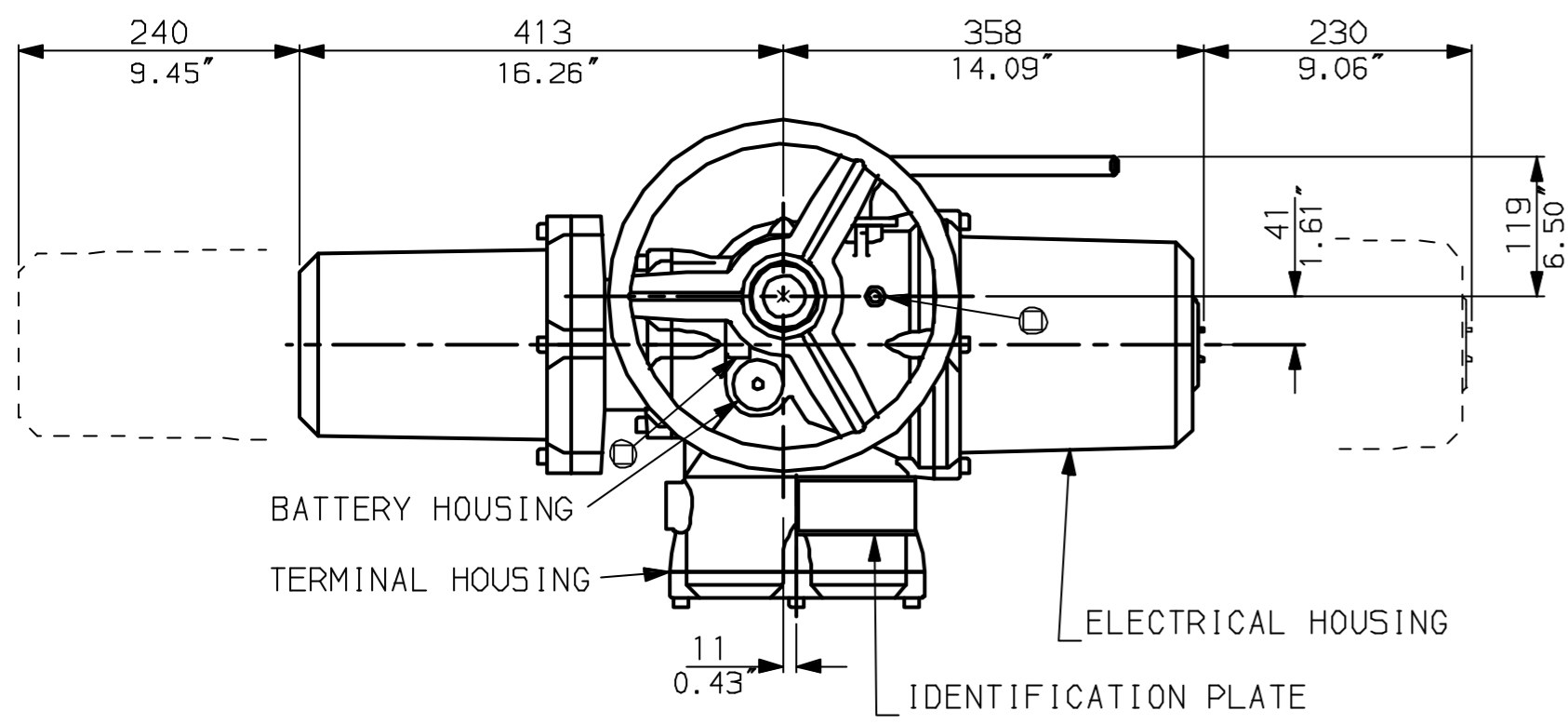
Title IQD10, 12, 18, THW, IW4RL,		
STANDARD DIMENSIONAL DATA		
Drawn CAD	Checked PRE	Ref Data Sheet
Date April 04	Job No	IQD1THW_IW4R

NOTE:
Gearbox is shown with LOW Ratio Input Reducer.
(ie Ratios 80, 120, 140, 160, 210, 280)
See Data Sheet with IW4R for HIGH ratio option.

01	First Issue.
Scale	1:6 THIRD ANGLE PROJECTION
Drawing Number	IQD1THW_IW4RL

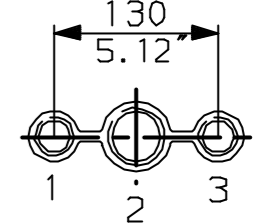
1 | 2 | 3 | 4 | 5 | 6 | 7 | 8 | 9 | 10

G
F
E
D
C
B
A

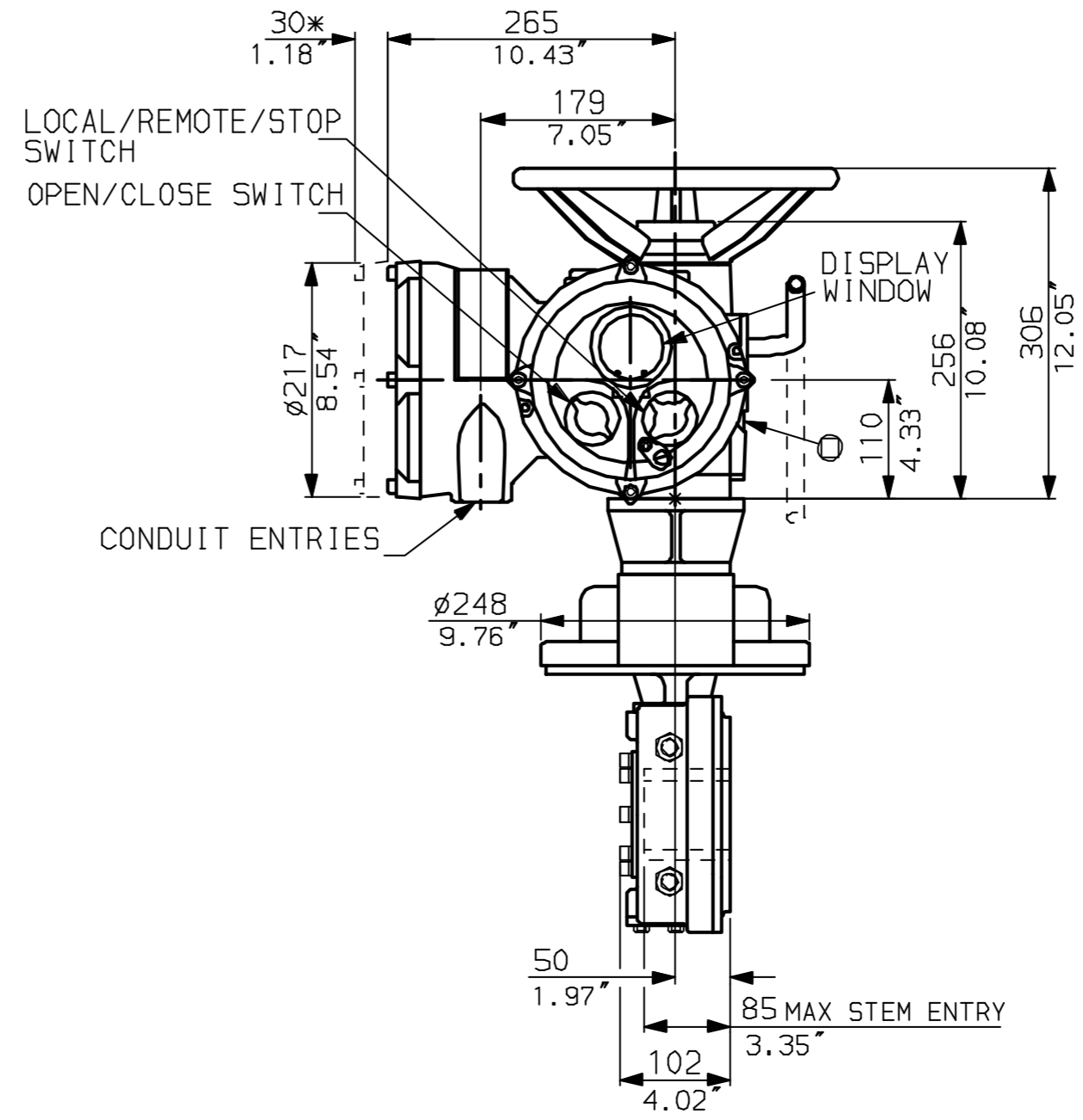
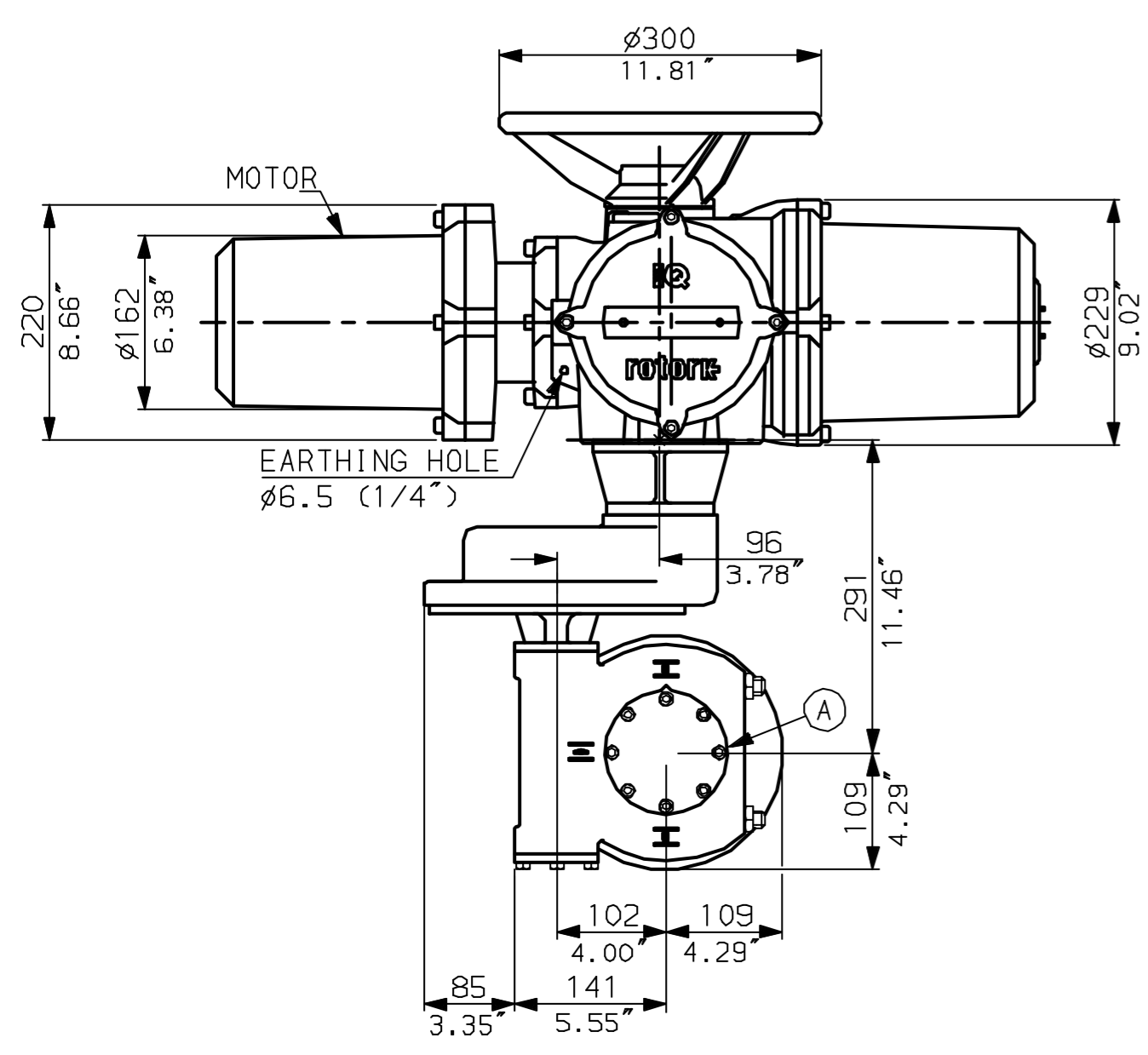


NOTES:
 * DIMENSIONS WITH '*' INDICATE COVER REMOVAL ALLOWANCE
 : NETT WEIGHT = 78kg (172lbs)
 : \odot = OIL FILLER/DRAIN PLUG
 : THE INTERFACE PROVIDED FOR MOUNTING THE ACTUATOR OR SECOND STAGE GEARBOX ONTO THE VALVE SHOULD CONFORM TO GOOD ENGINEERING PRACTICES, ENSURING ADEQUATELY TOLERANCED LIMITS FOR PARALLELISM, PERPENDICULARITY AND CONCENTRICITY.

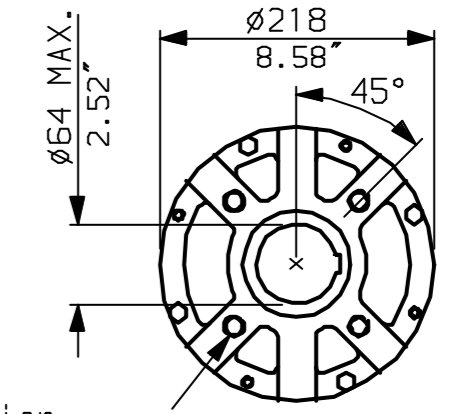
CONDUIT ENTRIES (N.T.S)



Nos.1 & 3 TAPPED 1" NPT
 No.2 TAPPED 1 1/2" NPT
 STD ALTERNATIVES IF SPECIFIED
 2 X M25, 1 X M40
 2 X PG16, 1 X PG29



N.B. KEYWAY POS. CAN BE MOVED 90 OR 180° BY REMOVING 8 SCREWS MARKED (A) AND ROTATING OUTPUT SLEEVE.



"F" version

4 HOLES TAPPED M16 x 16 DP
 EQUI-SPACED AS SHOWN ON A
 140 PCD (ISO 5211-F14).

"FA" version

4 HOLES TAPPED 5/8" UNC x 0.63" dp
 EQUI-SPACED AS SHOWN ON A
 5.5" PCD (MSS SP101-FA14).



Rotork Controls Ltd.
 Bath England, BA1 3JQ.
 (Phone 01225-733200)
 Rotork Controls Inc.
 Rochester, NY 14624
 (Phone 585-328-1550)

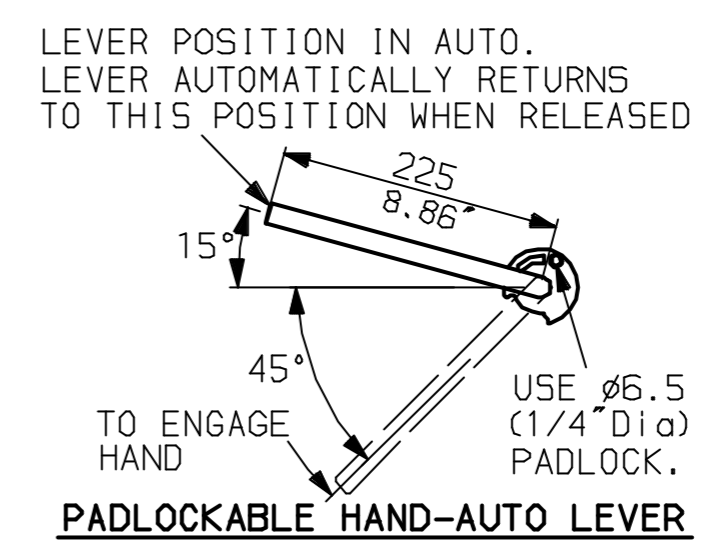
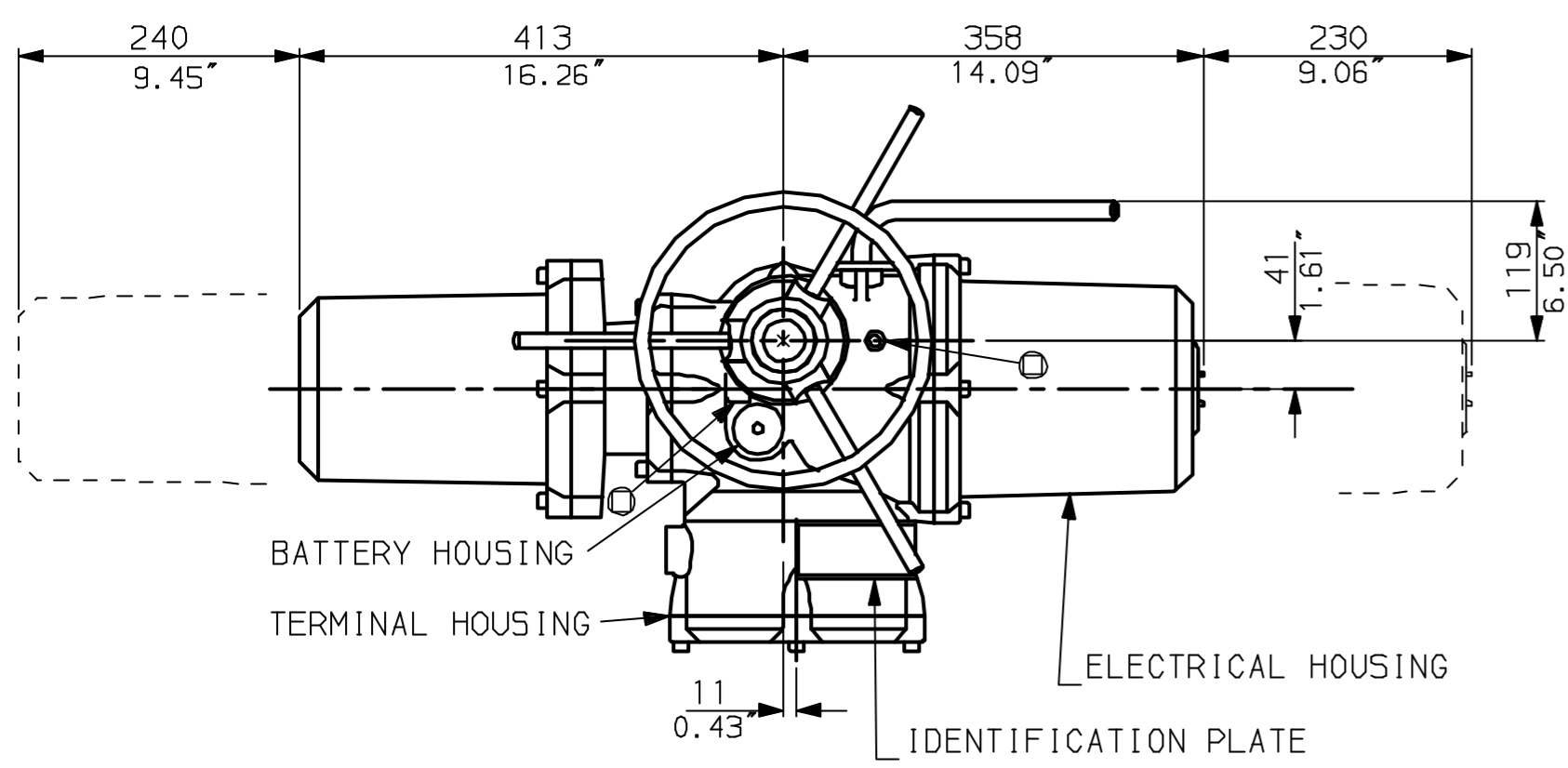
Title IQD10, 12, 18, THW, IW4Rh,	
STANDARD DIMENSIONAL DATA	
Drawn CAD	Checked PRE Ref Data Sheet
Date April 04	Job No IQD1THW_IW4Rh

NOTE:
 Gearbox is shown with HIGH Ratio Input Reducer.
 (ie Ratios 200, 240, 350, 420)
 See Data Sheet with IW4RL for LOW ratio option.

01	First Issue.
Scale 1:6	THIRD ANGLE PROJECTION
Drawing Number	IQD1THW_IW4Rh

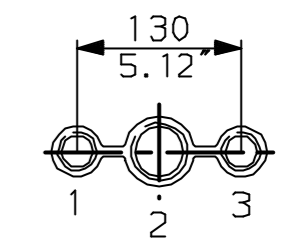
1 | 2 | 3 | 4 | 5 | 6 | 7 | 8 | 9 | 10

G
F
E
D
C
B
A

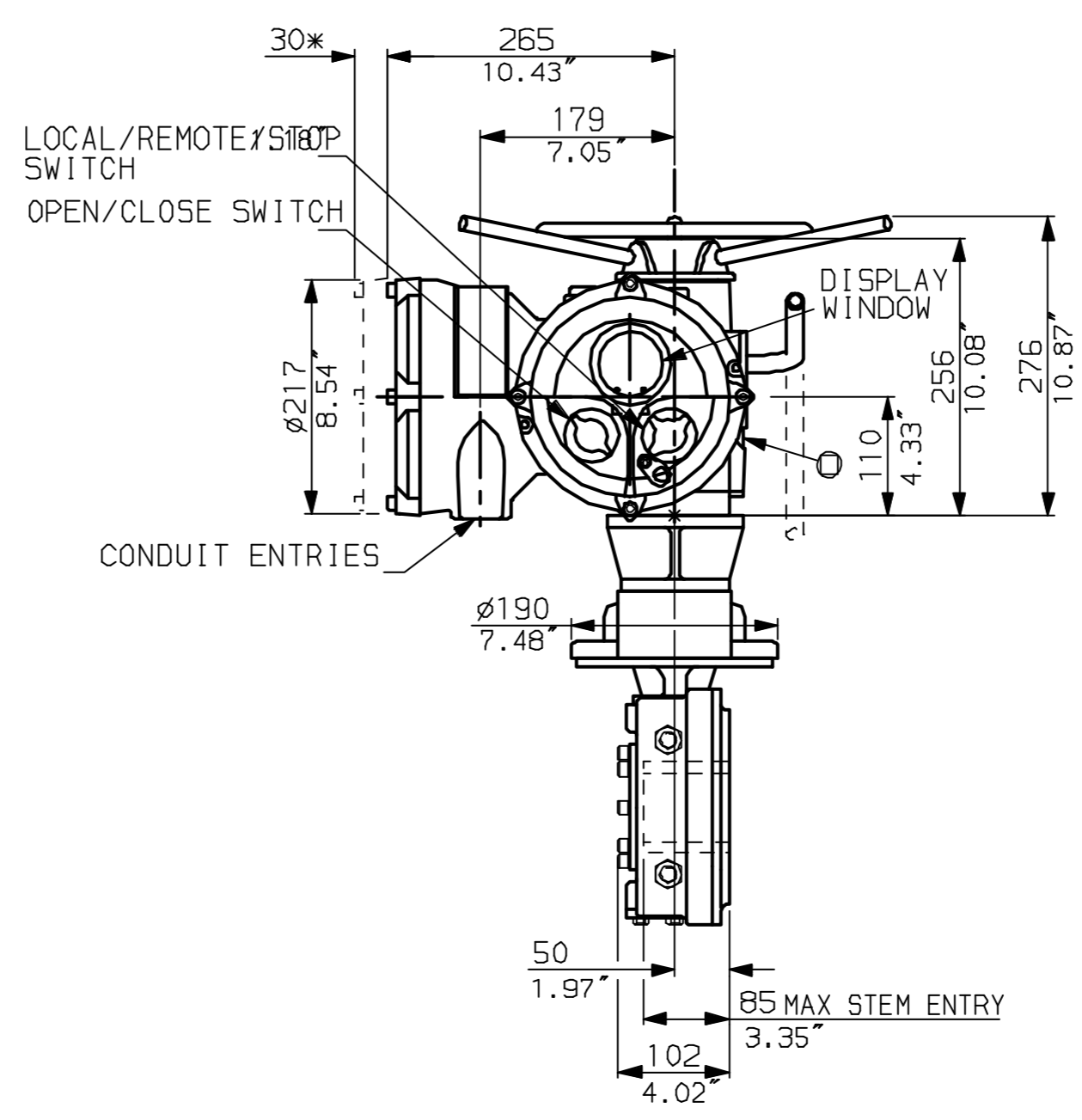
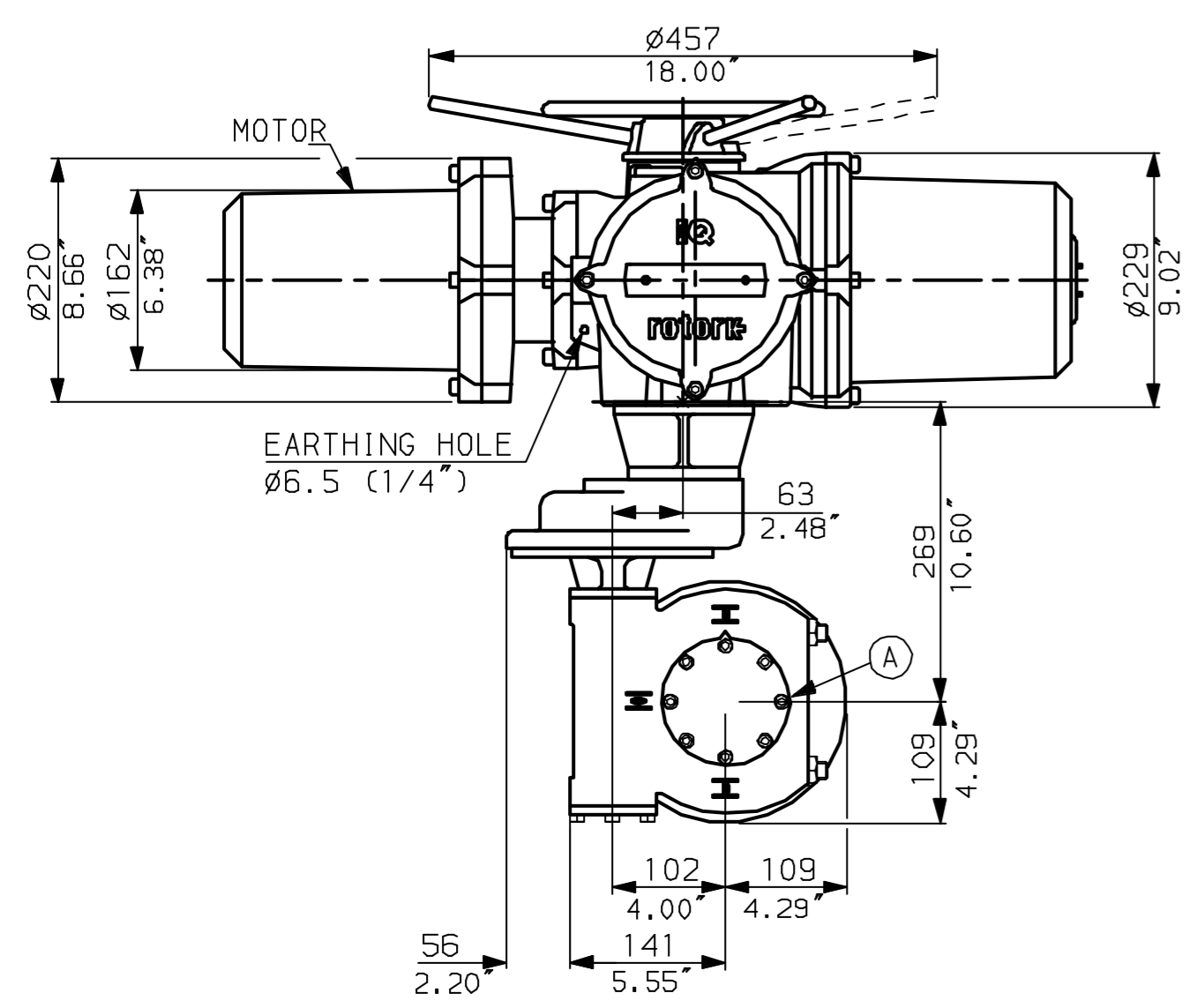


NOTES:
DIMENSIONS WITH '*' INDICATE
COVER REMOVAL ALLOWANCE
NETT WEIGHT = 73kg (161lbs)
OIL FILLER/DRAIN PLUG
THE INTERFACE PROVIDED FOR MOUNTING THE
ACTUATOR OR SECOND STAGE GEARBOX ONTO THE
VALVE SHOULD CONFORM TO GOOD ENGINEERING
PRACTICES, ENSURING ADEQUATELY TOLERANCED
LIMITS FOR PARALLELISM, PERPENDICULARITY
AND CONCENTRICITY.

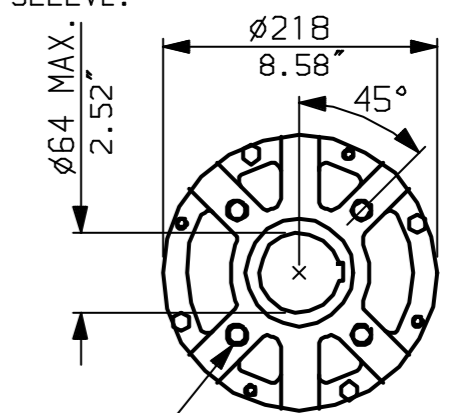
CONDUIT ENTRIES (N.T.S)



Nos.1 & 3 TAPPED 1" NPT
No.2 TAPPED 1 1/2" NPT
STD ALTERNATIVES IF SPECIFIED
2 X M25, 1 X M40
2 X PG16, 1 X PG29



N.B. KEYWAY POS. CAN BE MOVED
90 OR 180° BY REMOVING 8 SCREWS
MARKED (A) AND ROTATING OUTPUT
SLEEVE.



"F" version
4 HOLES TAPPED M16 x 16 DP
EQUI-SPACED AS SHOWN ON A
140 PCD (ISO 5211-F14).

"FA" version
4 HOLES TAPPED 5/8" UNC x 0.63" dp
EQUI-SPACED AS SHOWN ON A
5.5" PCD (MSS SP101-FA14).



Rotork Controls Ltd.
Bath England, BA1 3JQ.
(Phone 01225-733200)
Rotork Controls Inc.
Rochester, NY 14624
(Phone 585-328-1550)

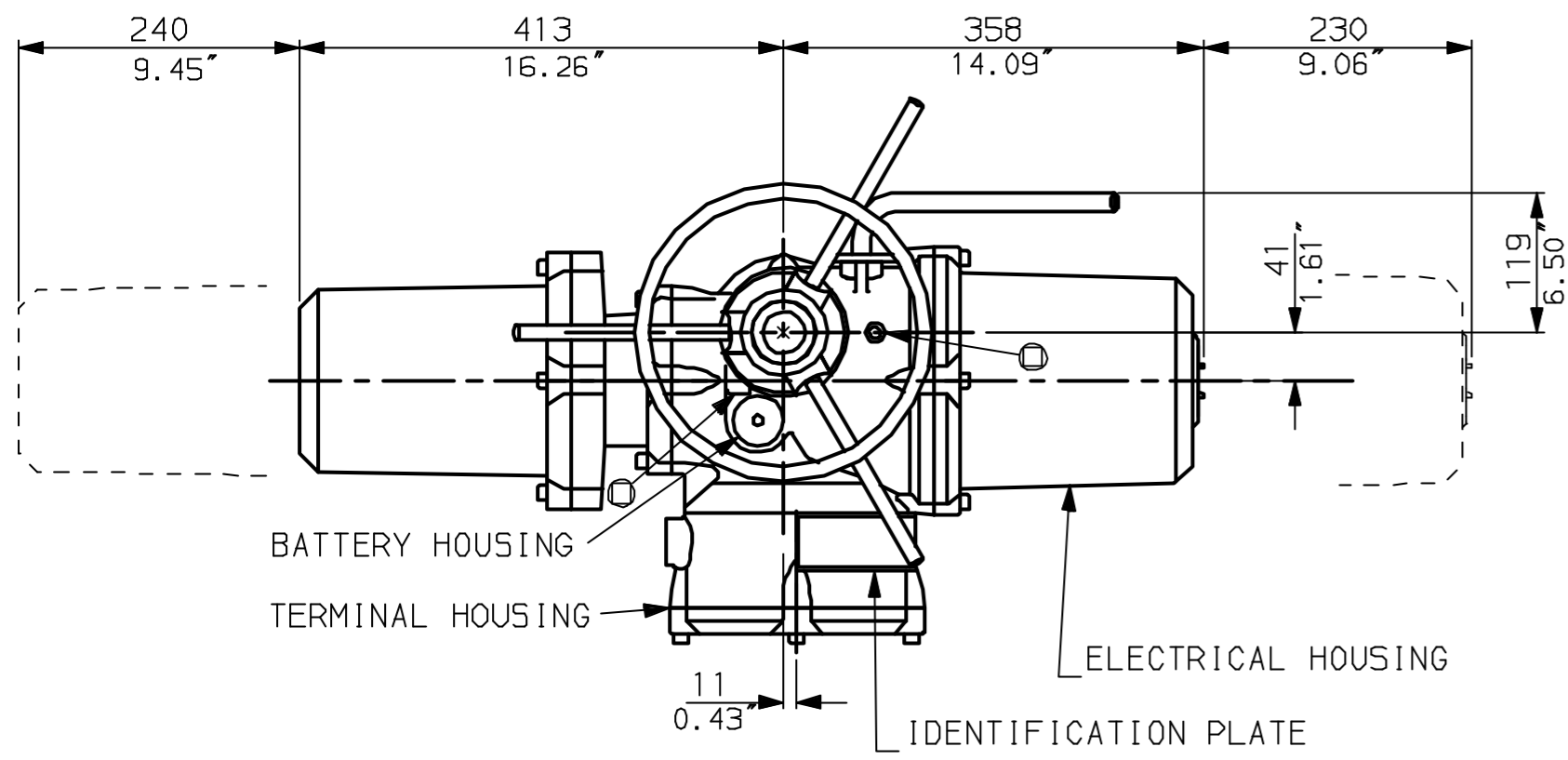
Title IQD10, 12, 18, LTHW, IW4RL,	
STANDARD DIMENSIONAL DATA	
Drawn CAD	Checked PRE Ref Data Sheet
Date April 04	Job No IQD1LTHW_IW4RL

NOTE:
Gearbox is shown with LOW Ratio Input Reducer.
(ie Ratios 80, 120, 140, 160, 210, 280)
See Data Sheet with IW4Rh for HIGH ratio option.

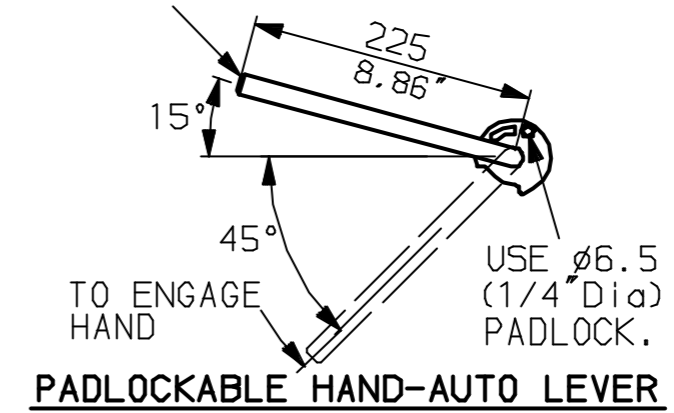
01	First Issue.
Scale	1:6 THIRD ANGLE PROJECTION
Drawing Number	IQD1LTHW_IW4RL

1 2 3 4 5 6 7 8 9 10

G
F
E
D
C
B
A

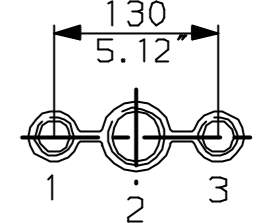


LEVER POSITION IN AUTO.
LEVER AUTOMATICALLY RETURNS
TO THIS POSITION WHEN RELEASED

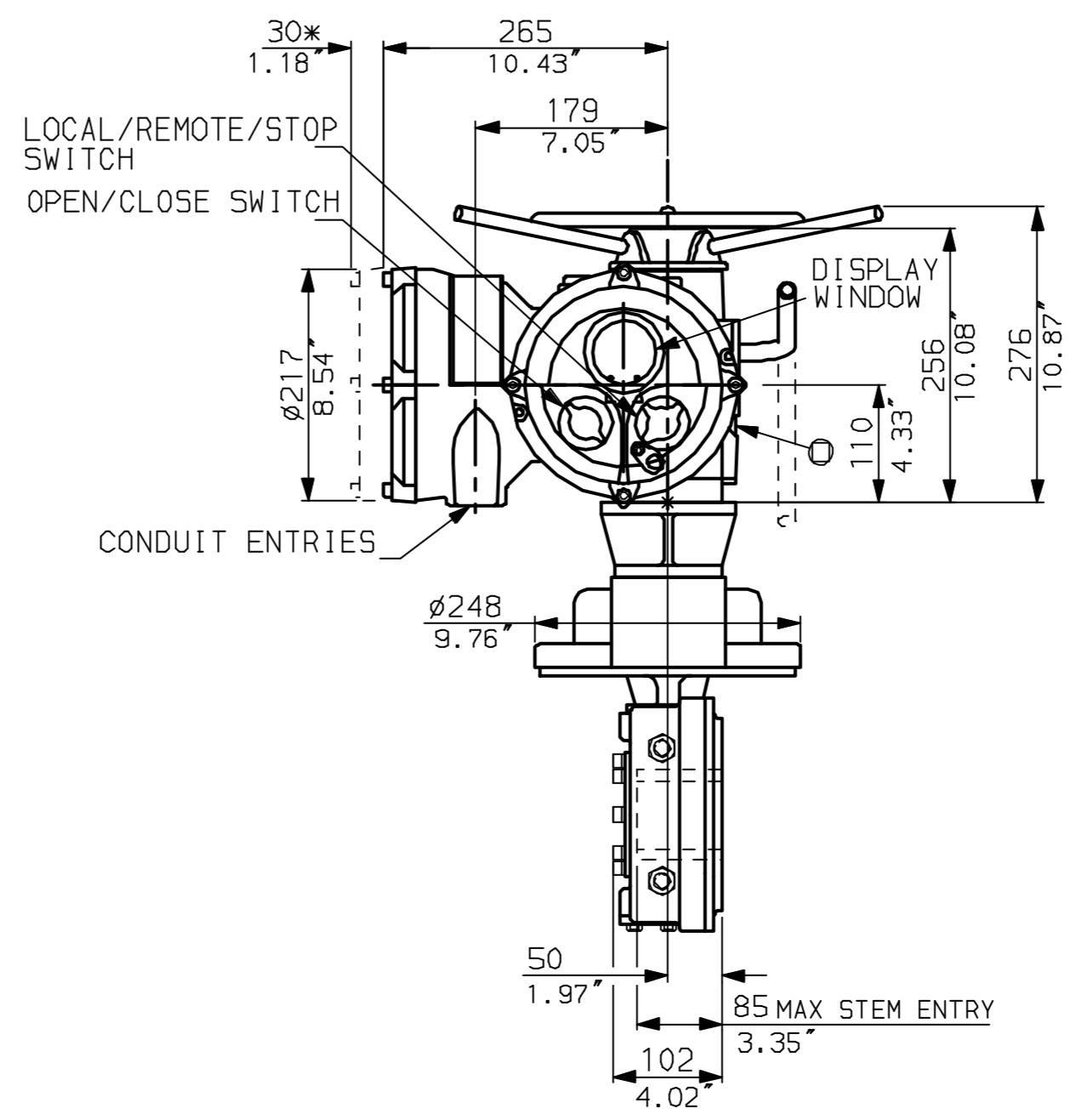
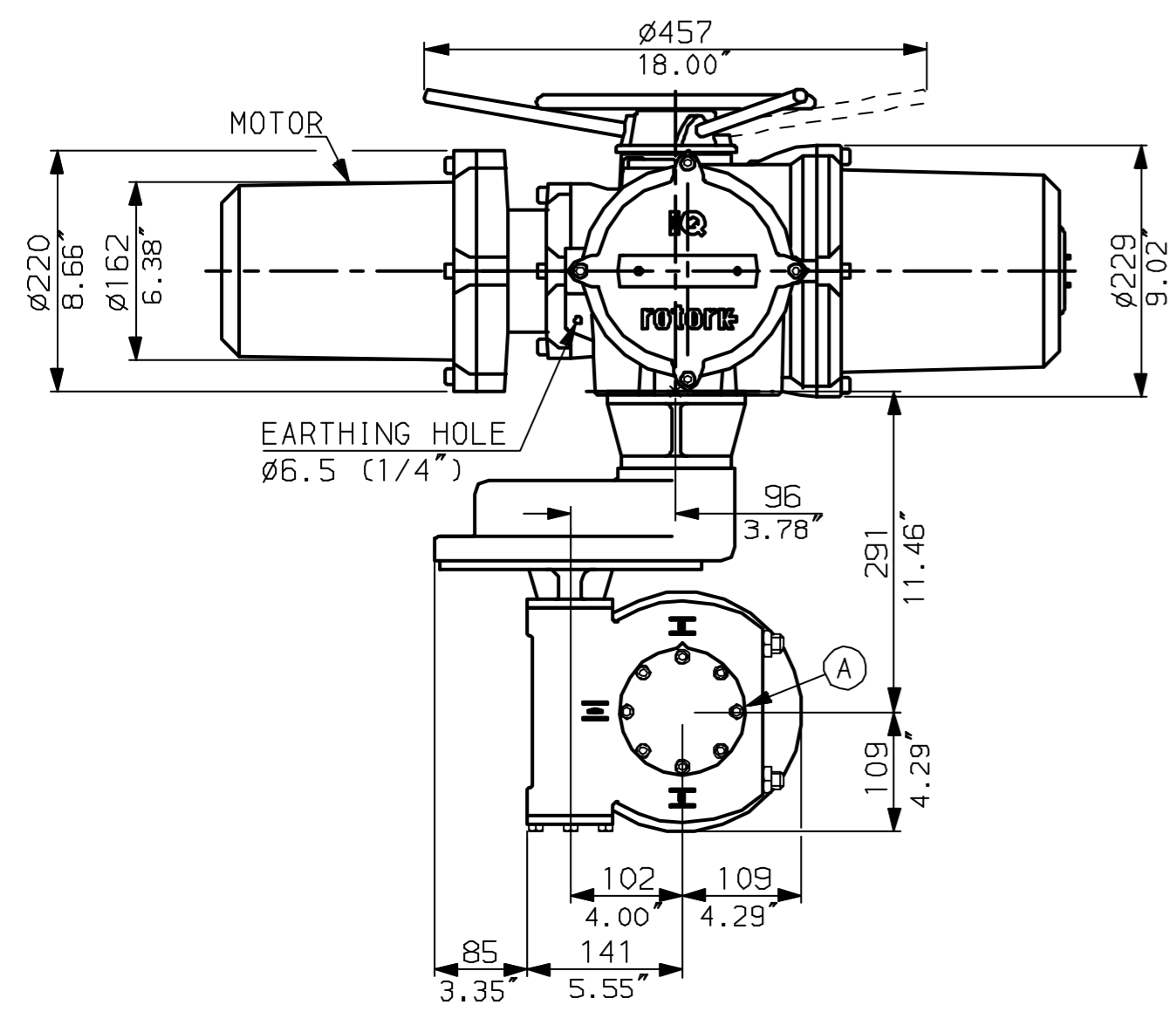


NOTES:
DIMENSIONS WITH '*' INDICATE COVER REMOVAL ALLOWANCE
NETT WEIGHT = 78kg (172lbs)
OIL FILLER/DRAIN PLUG
THE INTERFACE PROVIDED FOR MOUNTING THE ACTUATOR OR SECOND STAGE GEARBOX ONTO THE VALVE SHOULD CONFORM TO GOOD ENGINEERING PRACTICES, ENSURING ADEQUATELY TOLERANCED LIMITS FOR PARALLELISM, PERPENDICULARITY AND CONCENTRICITY.

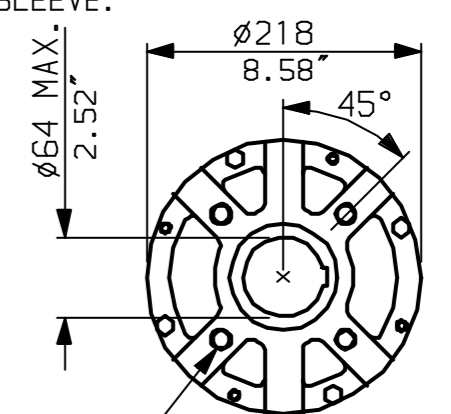
CONDUIT ENTRIES (N.T.S)



Nos.1 & 3 TAPPED 1" NPT
No.2 TAPPED 1 1/2" NPT
STD ALTERNATIVES IF SPECIFIED
2 X M25, 1 X M40
2 X PG16, 1 X PG29



N.B. KEYWAY POS. CAN BE MOVED 90 OR 180° BY REMOVING 8 SCREWS MARKED (A) AND ROTATING OUTPUT SLEEVE.



"F" version

4 HOLES TAPPED M16 x 16 DP
EQUI-SPACED AS SHOWN ON A
140 PCD (ISO 5211-F14).

"FA" version

4 HOLES TAPPED 5/8" UNC x 0.63" dp
EQUI-SPACED AS SHOWN ON A
5.5" PCD (MSS SP101-FA14).



Rotork Controls Ltd.
Bath England, BA1 3JQ.
(Phone 01225-733200)
Rotork Controls Inc.
Rochester, NY 14624
(Phone 585-328-1550)

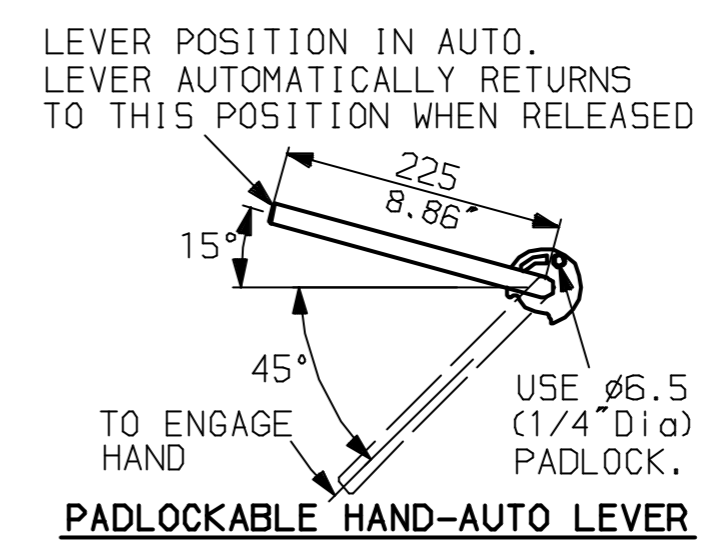
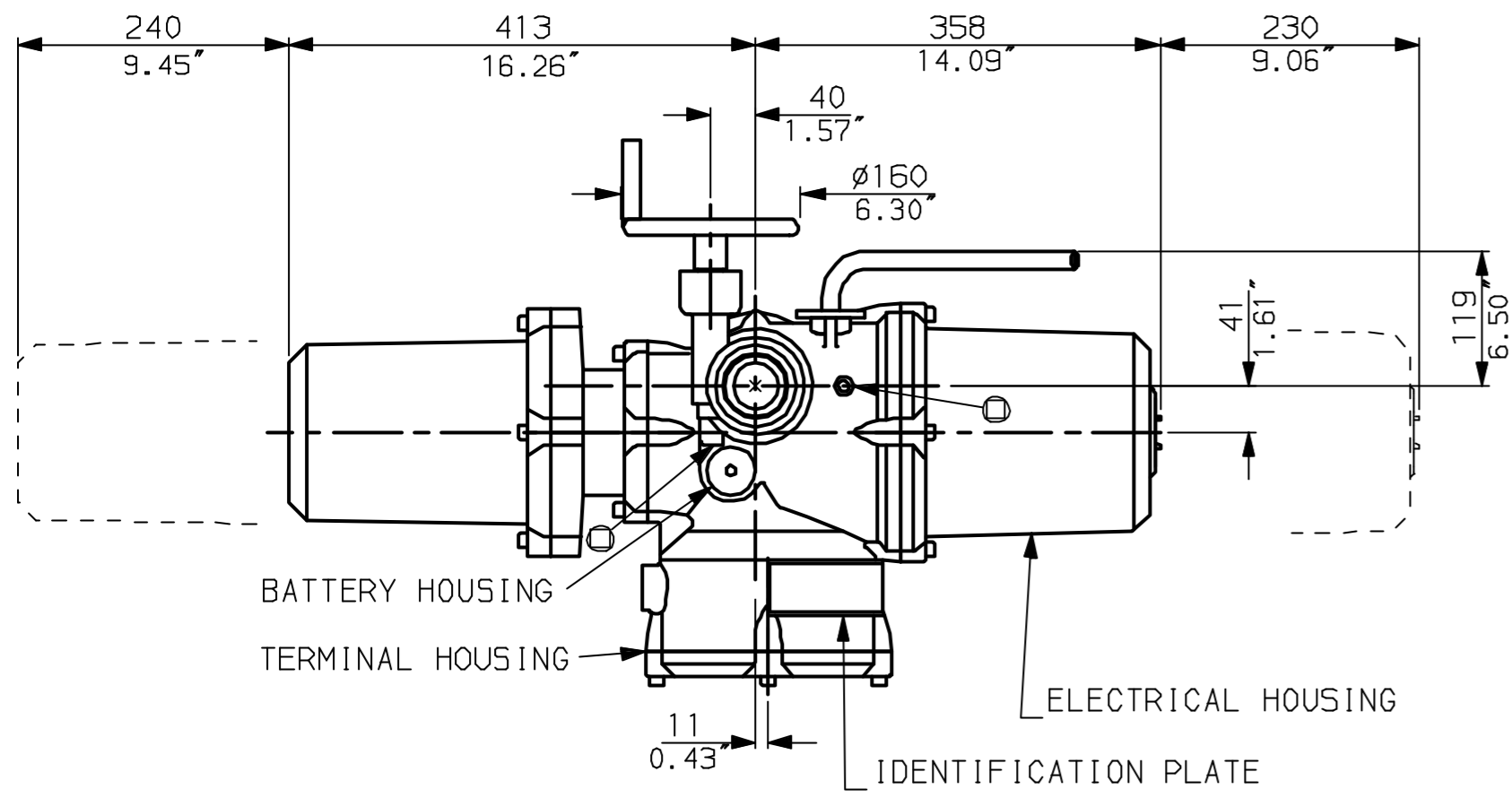
Title IQD10, 12, 18, LTHW, IW4Rh,	
STANDARD DIMENSIONAL DATA	
Drawn CAD	Checked PRE Ref Data Sheet
Date April 04	Job No IQD1LTHW_IW4Rh

NOTE:
Gearbox is shown with HIGH Ratio Input Reducer.
(ie Ratios 200, 240, 350, 420)
See Data Sheet with IW4RL for LOW ratio option.

01	First Issue.
Scale 1:6	THIRD ANGLE PROJECTION
Drawing Number	IQD1LTHW_IW4Rh

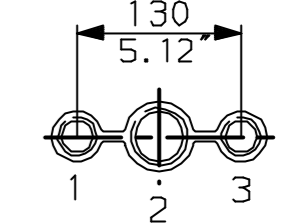
1 | 2 | 3 | 4 | 5 | 6 | 7 | 8 | 9 | 10

G
F
E
D
C
B
A

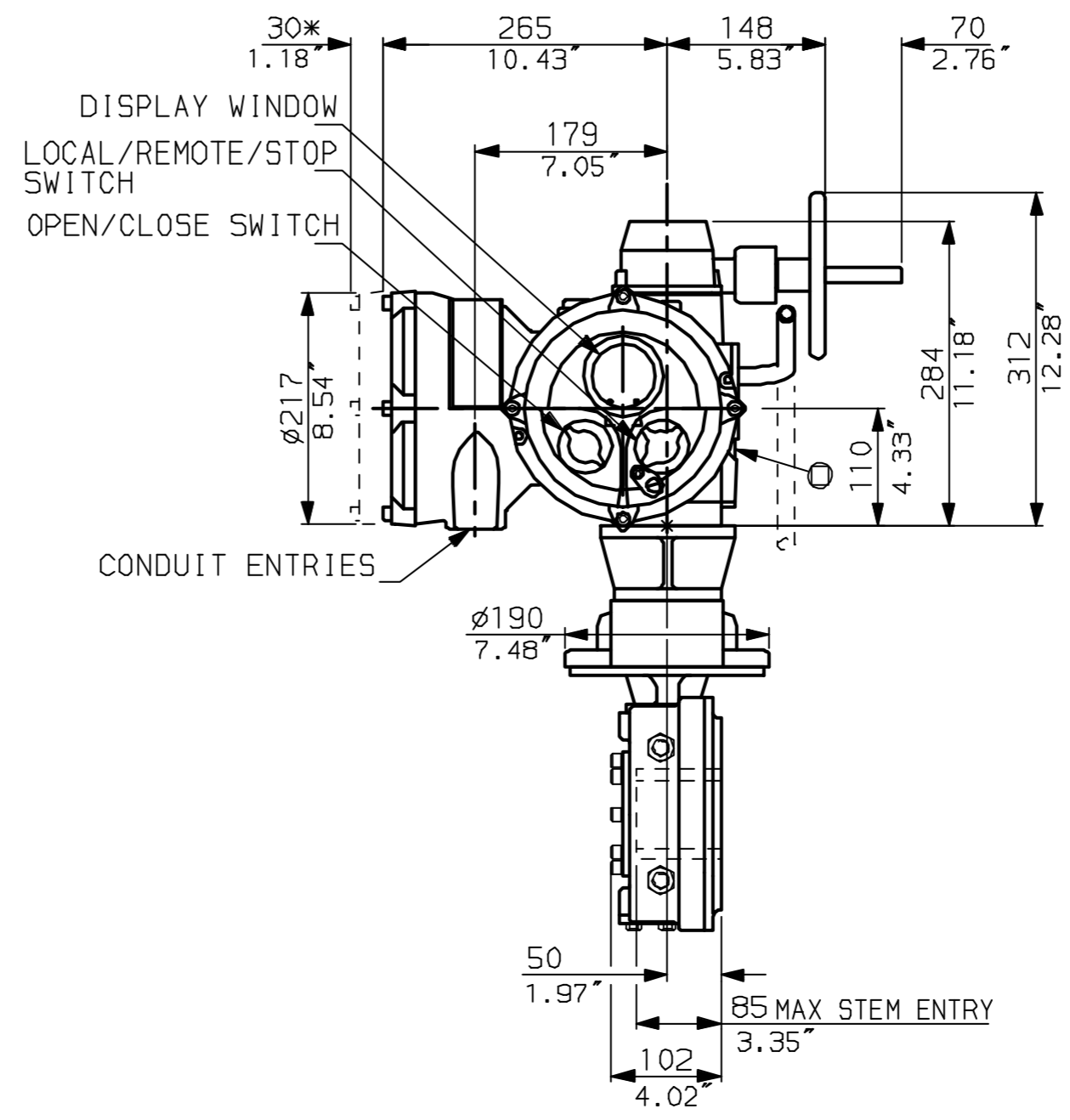
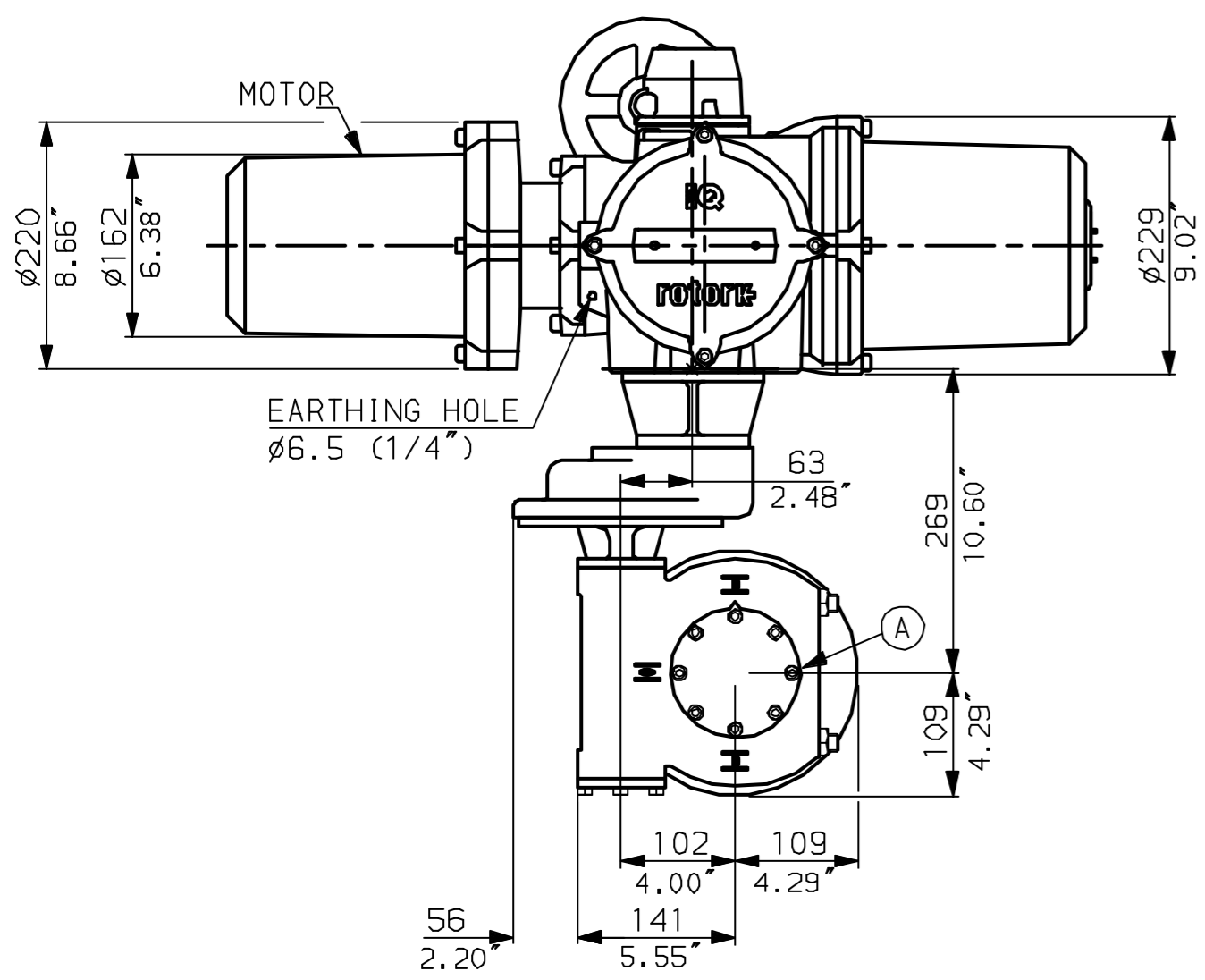


NOTES:
 * DIMENSIONS WITH '*' INDICATE COVER REMOVAL ALLOWANCE
 NETT WEIGHT = 73kg (161lbs)
 ○ = OIL FILLER/DRAIN PLUG
 THE INTERFACE PROVIDED FOR MOUNTING THE ACTUATOR OR SECOND STAGE GEARBOX ONTO THE VALVE SHOULD CONFORM TO GOOD ENGINEERING PRACTICES, ENSURING ADEQUATELY TOLERANCED LIMITS FOR PARALLELISM, PERPENDICULARITY AND CONCENTRICITY.

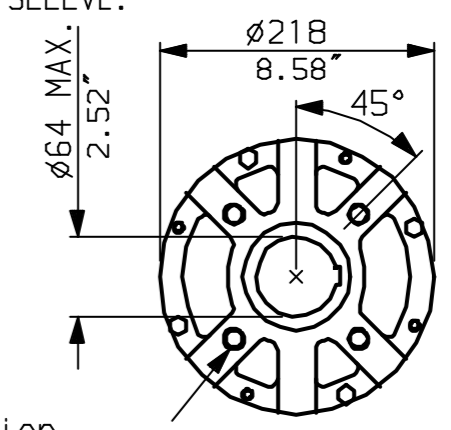
CONDUIT ENTRIES (N.T.S)



Nos.1 & 3 TAPPED 1" NPT
 No.2 TAPPED 1 1/2" NPT
 STD ALTERNATIVES IF SPECIFIED
 2 X M25, 1 X M40
 2 X PG16, 1 X PG29



N.B. KEYWAY POS. CAN BE MOVED 90 OR 180° BY REMOVING 8 SCREWS MARKED (A) AND ROTATING OUTPUT SLEEVE.



"F" version

4 HOLES TAPPED M16 x 16 DP
 EQUI-SPACED AS SHOWN ON A
 140 PCD (ISO 5211-F14).

"FA" version

4 HOLES TAPPED 5/8" UNC x 0.63" dp
 EQUI-SPACED AS SHOWN ON A
 5.5" PCD (MSS SP101-FA14).

NOTE:
 Gearbox is shown with LOW Ratio Input Reducer.
 (ie Ratios 80, 120, 140, 160, 210, 280)
 See Data Sheet with IW4Rh for HIGH ratio option.



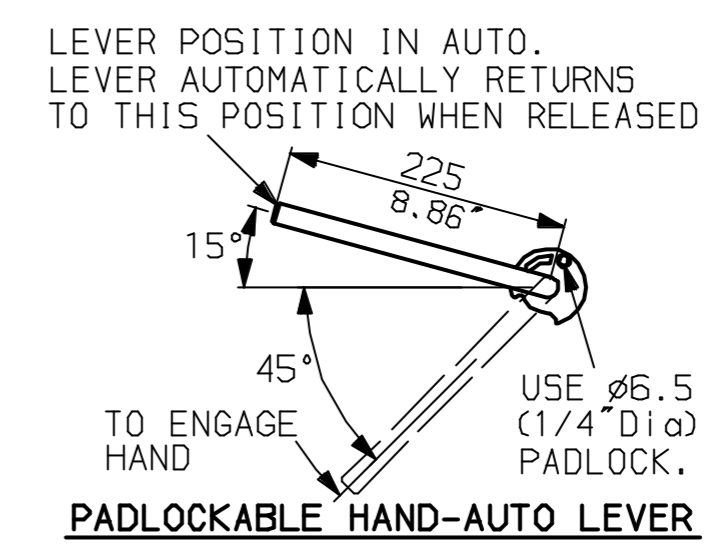
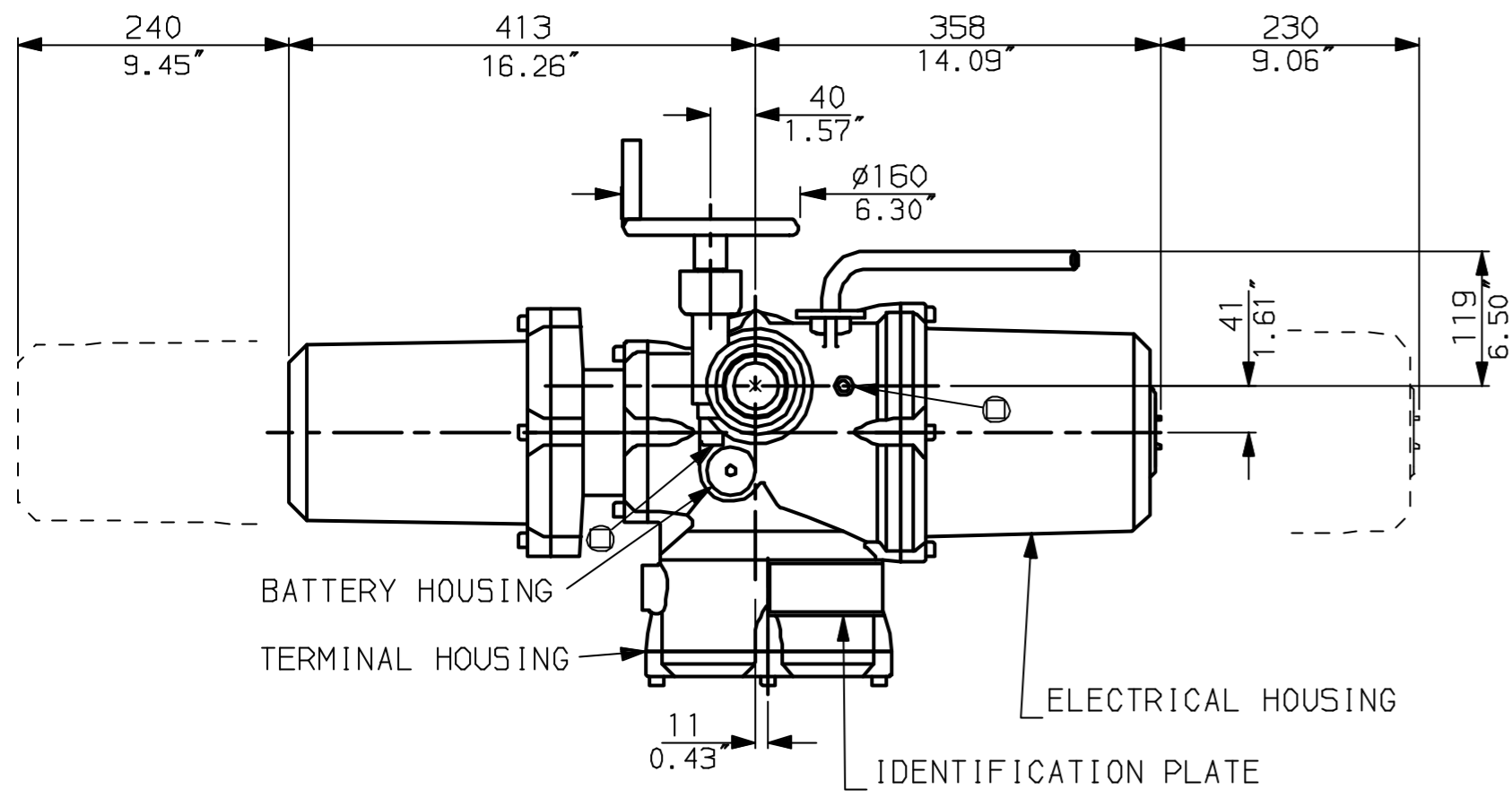
Rotork Controls Ltd.
 Bath England, BA1 3JQ.
 (Phone 01225-733200)
 Rotork Controls Inc.
 Rochester, NY 14624
 (Phone 585-328-1550)

Title IQD10, 12, 18, SHW, IW4RL,		
STANDARD DIMENSIONAL DATA		
Drawn CAD	Checked PRE	Ref Data Sheet
Date April 04	Job No	IQD1SHW_IW4R

01	First Issue.
Scale	1:6 THIRD ANGLE PROJECTION
Drawing Number	IQD1SHW_IW4RL

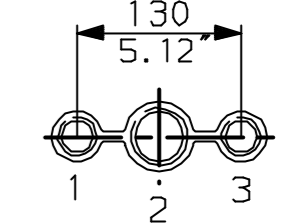
1 | 2 | 3 | 4 | 5 | 6 | 7 | 8 | 9 | 10

G
F
E
D
C
B
A

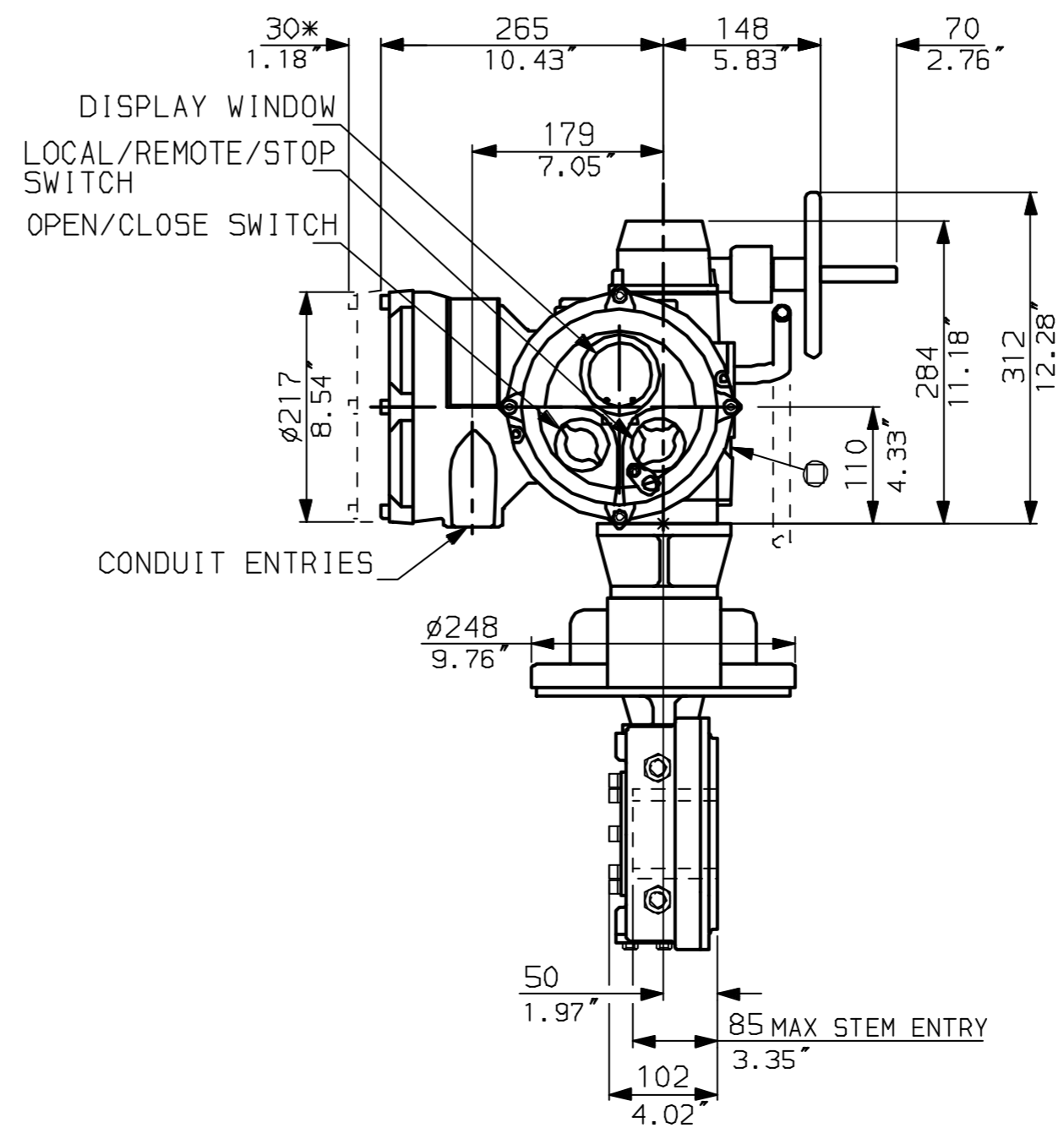
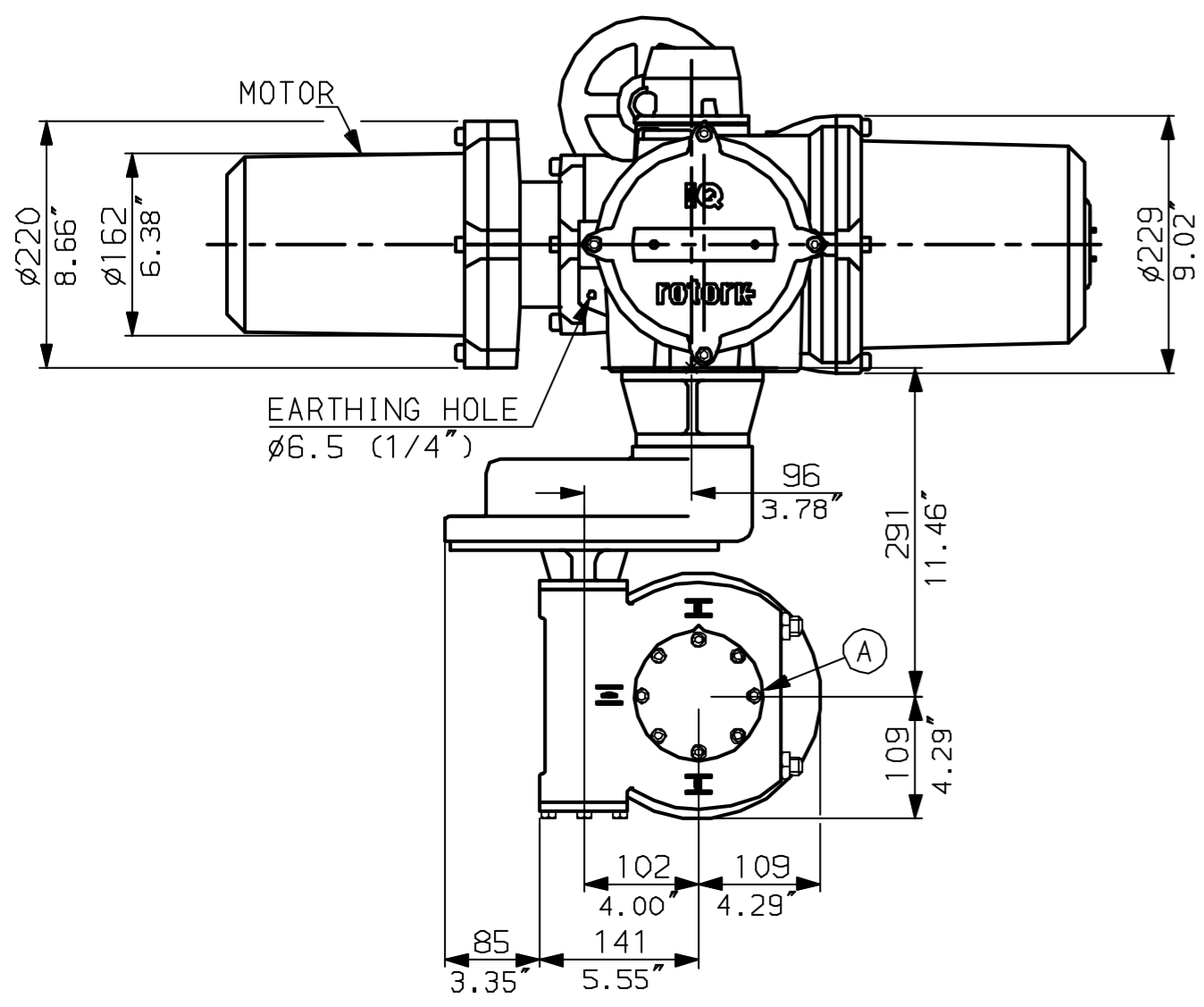


NOTES:
 DIMENSIONS WITH '*' INDICATE COVER REMOVAL ALLOWANCE
 NETT WEIGHT = 78kg (172lbs)
 \odot = OIL FILLER/DRAIN PLUG
 THE INTERFACE PROVIDED FOR MOUNTING THE ACTUATOR OR SECOND STAGE GEARBOX ONTO THE VALVE SHOULD CONFORM TO GOOD ENGINEERING PRACTICES, ENSURING ADEQUATELY TOLERANCED LIMITS FOR PARALLELISM, PERPENDICULARITY AND CONCENTRICITY.

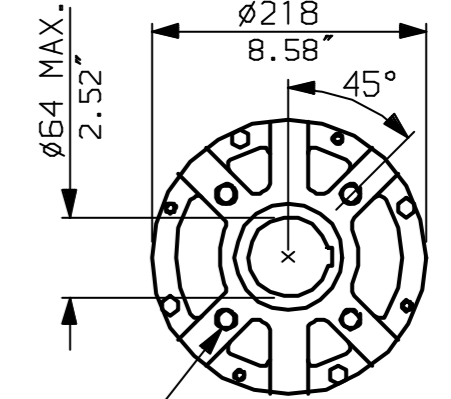
CONDUIT ENTRIES (N.T.S)



Nos.1 & 3 TAPPED 1" NPT
 No.2 TAPPED 1 1/2" NPT
 STD ALTERNATIVES IF SPECIFIED
 2 X M25, 1 X M40
 2 X PG16, 1 X PG29



N.B. KEYWAY POS. CAN BE MOVED 90 OR 180° BY REMOVING 8 SCREWS MARKED (A) AND ROTATING OUTPUT SLEEVE.



"F" version
 4 HOLES TAPPED M16 x 16 DP
 EQUI-SPACED AS SHOWN ON A
 140 PCD (150 5211-F14).

"FA" version
 4 HOLES TAPPED 5/8" UNC x 0.63" dp
 EQUI-SPACED AS SHOWN ON A
 5.5" PCD (M55 SP101-FA14).



Rotork Controls Ltd.
 Bath England, BA1 3JQ.
 (Phone 01225-733200)
 Rotork Controls Inc.
 Rochester, NY 14624
 (Phone 585-328-1550)

Title IQD10, 12, 18, SHW, IW4Rh,		
STANDARD DIMENSIONAL DATA		
Drawn CAD	Checked PRE	Ref Data Sheet
Date April 04	Job No	IQD1SHW_IW4Rh

NOTE:
 Gearbox is shown with HIGH Ratio Input Reducer.
 (ie Ratios 200, 240, 350, 420)
 See Data Sheet with IW4RL for LOW ratio option.

01	First Issue.
Scale	1:6 THIRD ANGLE PROJECTION
Drawing Number	IQD1SHW_IW4Rh

1 | 2 | 3 | 4 | 5 | 6 | 7 | 8 | 9 | 10