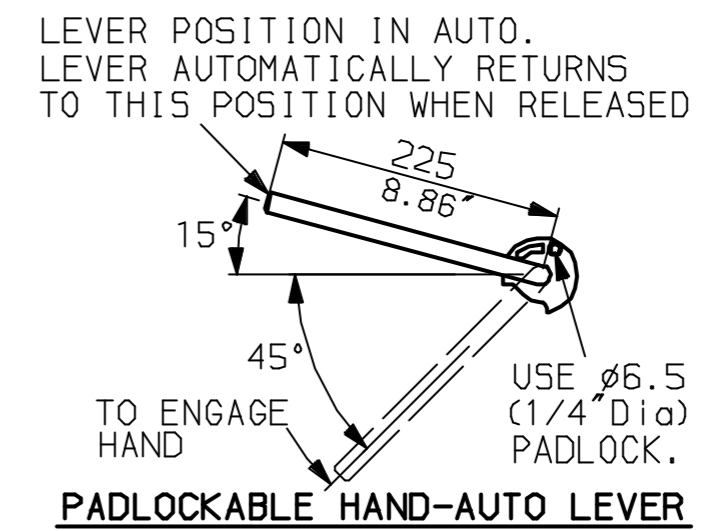
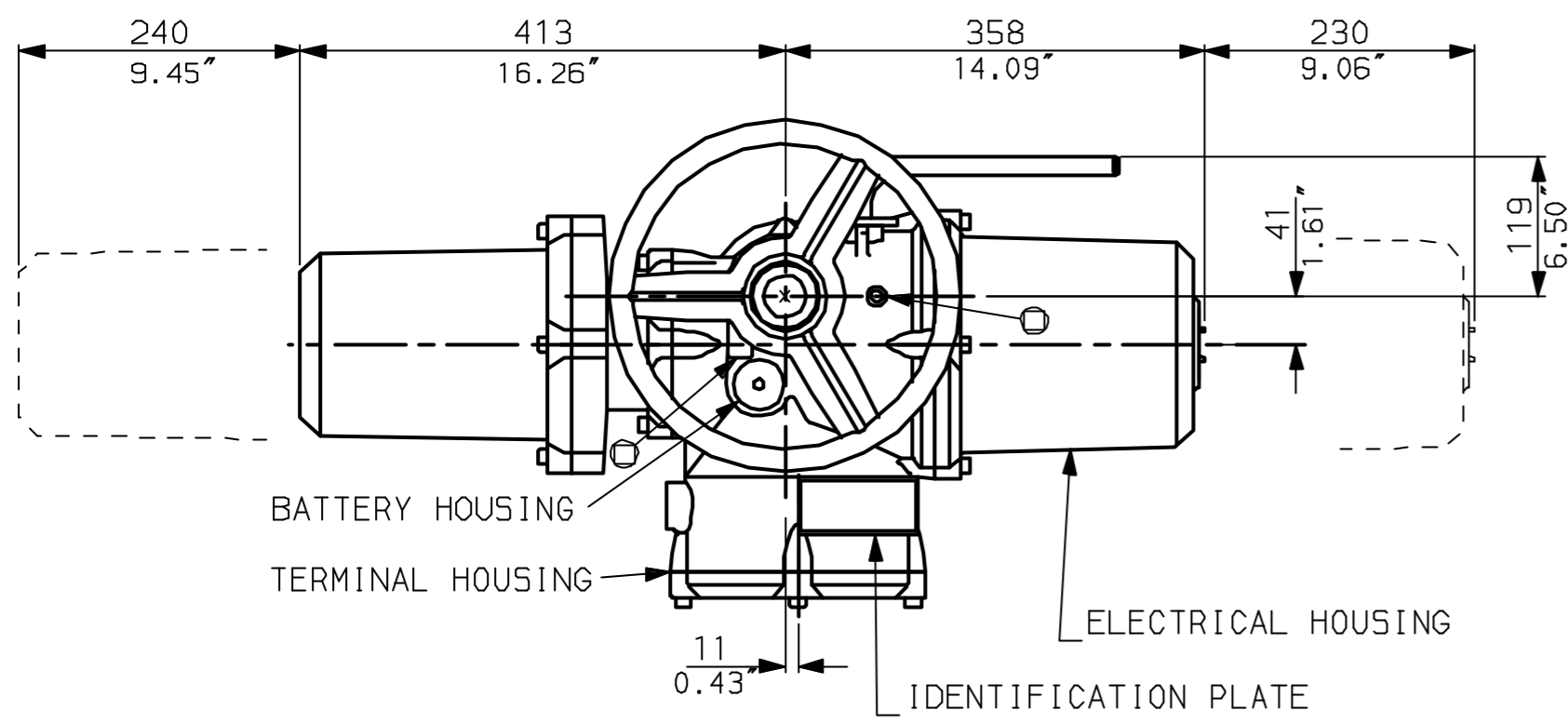
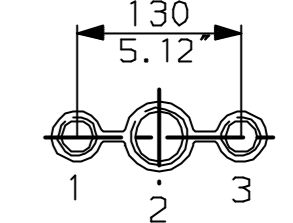


G
F
E
D
C
B
A

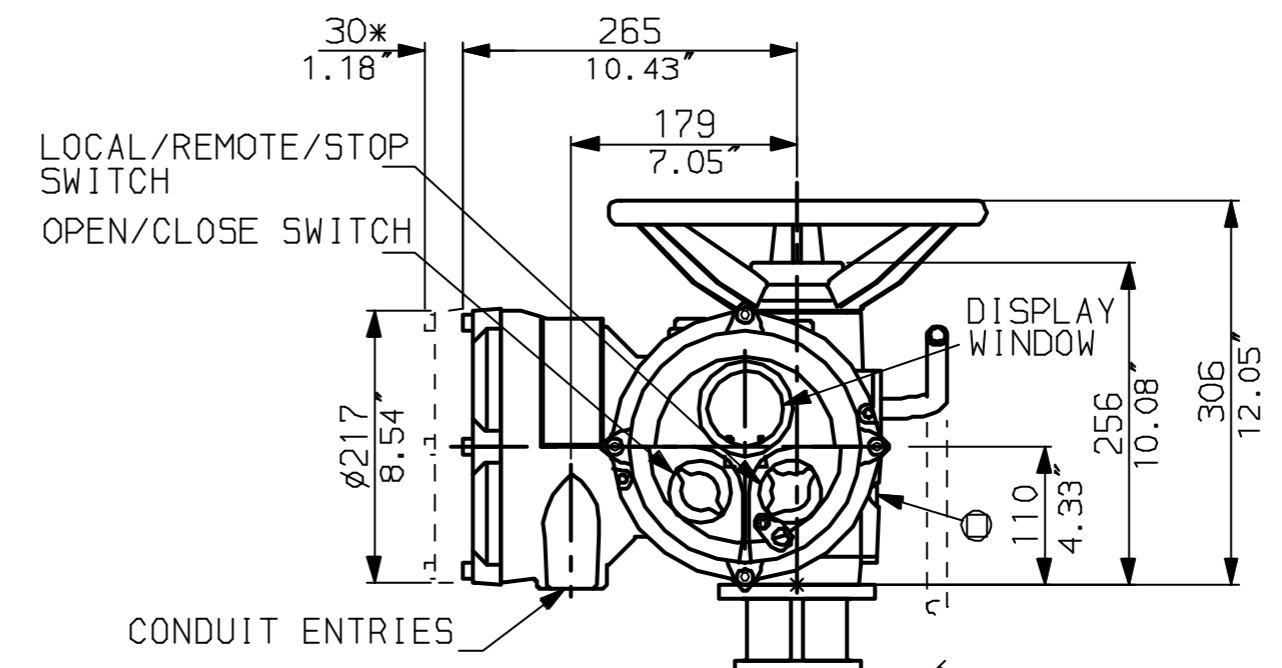
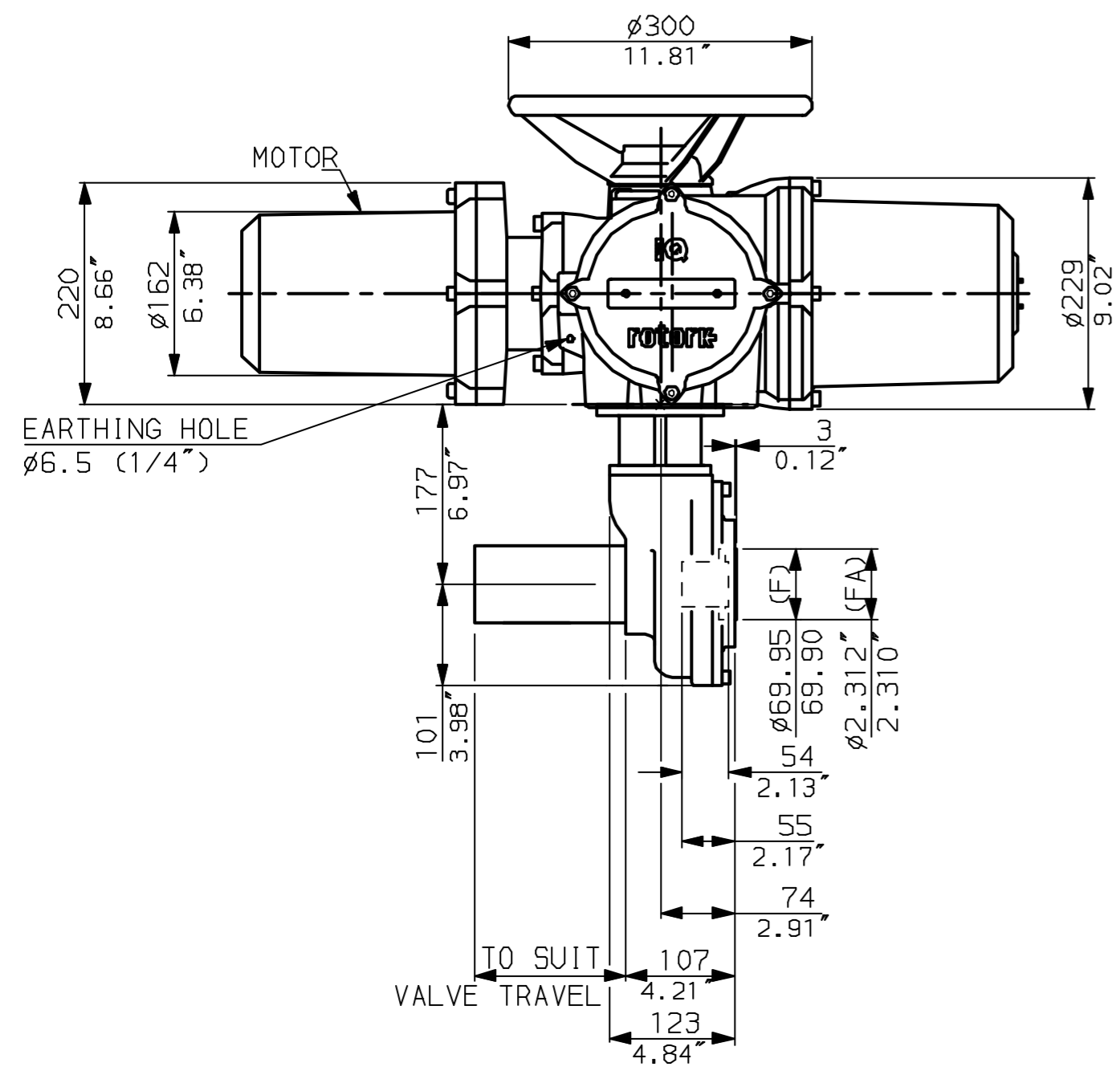


NOTES:
DIMENSIONS WITH '*' INDICATE
COVER REMOVAL ALLOWANCE
NETT WEIGHT = 59kg (130lbs)
OIL FILLER/DRAIN PLUG
THE INTERFACE PROVIDED FOR MOUNTING THE
ACTUATOR OR SECOND STAGE GEARBOX ONTO THE
VALVE SHOULD CONFORM TO GOOD ENGINEERING
PRACTICES, ENSURING ADEQUATELY TOLERANCED
LIMITS FOR PARALLELISM, PERPENDICULARITY
AND CONCENTRICITY.

CONDUIT ENTRIES (N.T.S)

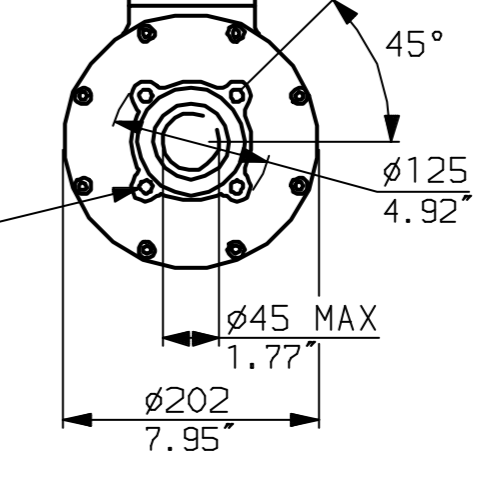


Nos.1 & 3 TAPPED 1" NPT
No.2 TAPPED 1 1/2" NPT
STD ALTERNATIVES IF SPECIFIED
2 X M25, 1 X M40
2 X PG16, 1 X PG29



"F" version
4 HOLES TAPPED M10x15 DP
EQUI-SPACED ON A 102 PCD
(ISO5210 F10)

"FA" version
4 HOLES TAPPED 3/8" UNC
x0.6" dp EQUI-SPACED ON A
4" PCD (MSS SP102-FA10)



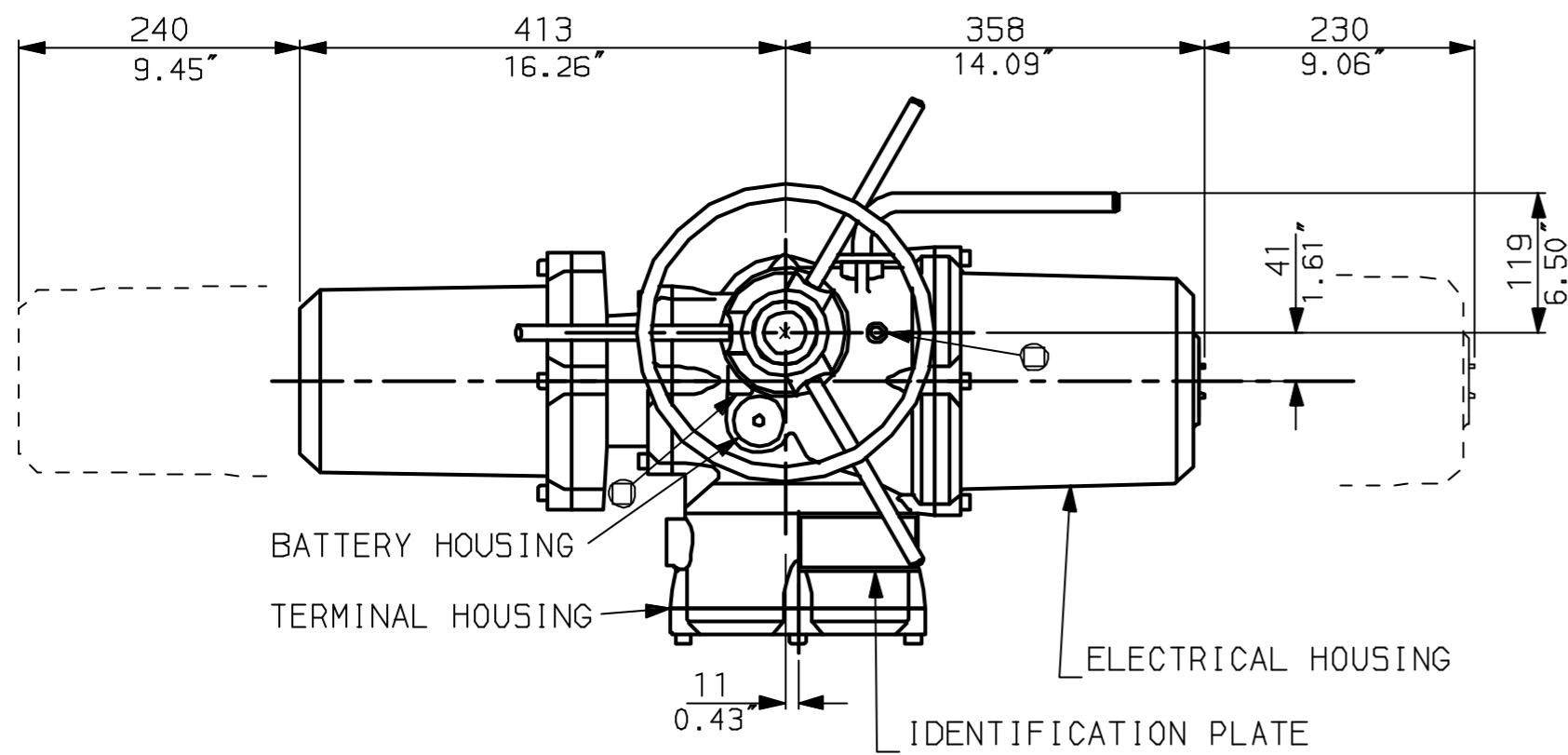
Rotork Controls Ltd.
Bath England, BA1 3JQ.
(Phone 01225-733200)

Rotork Controls Inc.
Rochester, NY 14624
(Phone 585-328-1550)

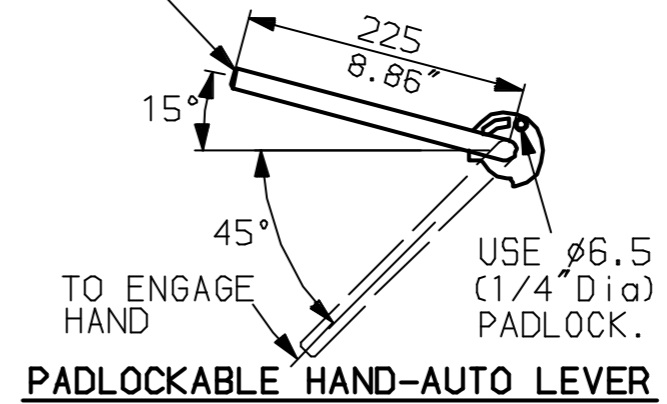
| | | |
|--------------------------------|-------------|--------------------|
| Title IQD10, 12, 18, THW, IB4, | | |
| STANDARD DIMENSIONAL DATA | | |
| Drawn CAD | Checked PRE | Ref Data Sheet |
| Date April 04 | Job No | IQD1THW_IB4 |

| | |
|----------------|----------------------------|
| 01 | First Issue. |
| Scale | 1:6 THIRD ANGLE PROJECTION |
| Drawing Number | IQD1THW_IB4 |

1 | 2 | 3 | 4 | 5 | 6 | 7 | 8 | 9 | 10

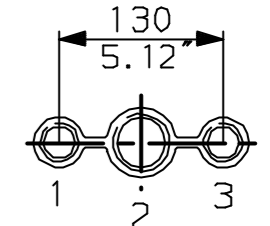


LEVER POSITION IN AUTO.
LEVER AUTOMATICALLY RETURNS
TO THIS POSITION WHEN RELEASED

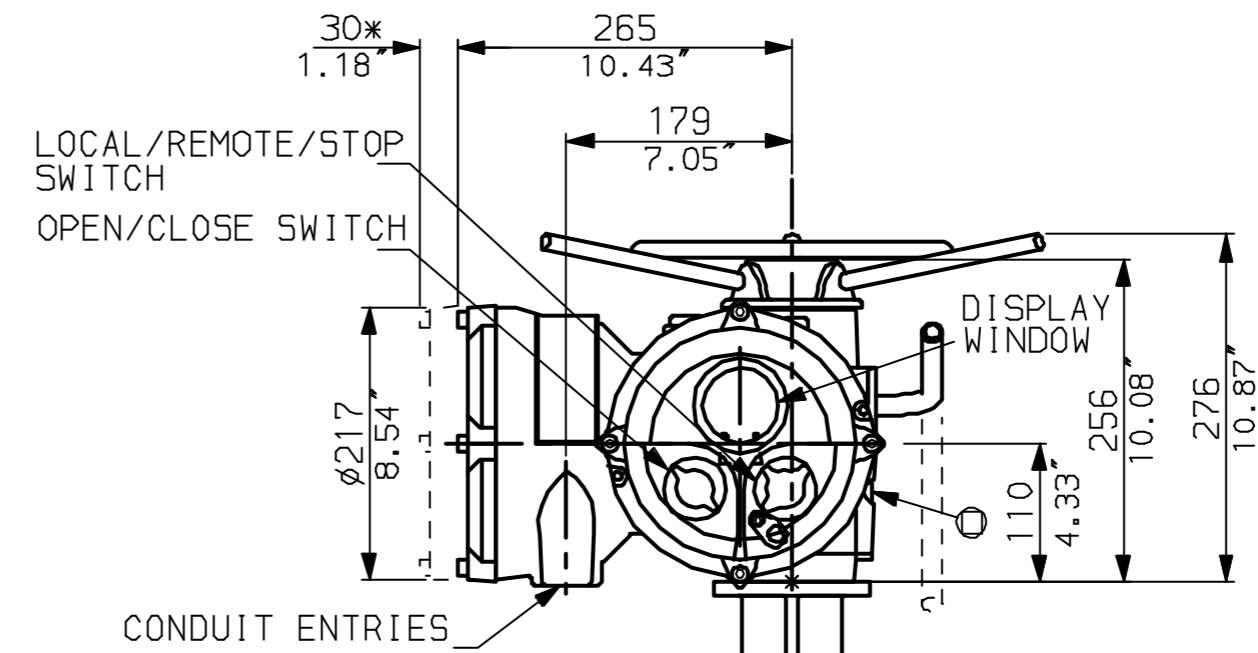
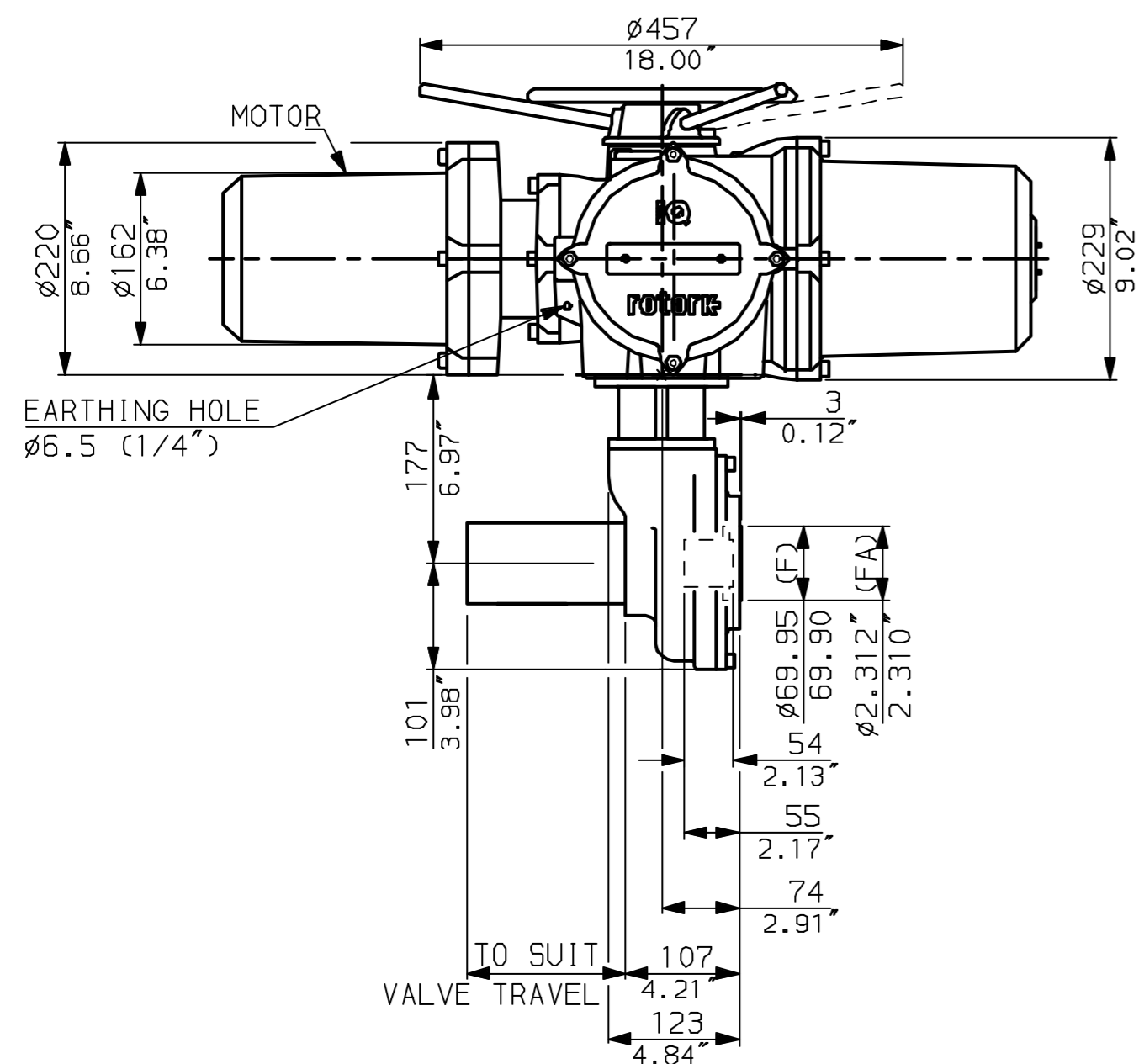


NOTES:
DIMENSIONS WITH '*' INDICATE COVER REMOVAL ALLOWANCE
NETT WEIGHT = 59kg (130lbs)
☉ = OIL FILLER/DRAIN PLUG
THE INTERFACE PROVIDED FOR MOUNTING THE ACTUATOR OR SECOND STAGE GEARBOX ONTO THE VALVE SHOULD CONFORM TO GOOD ENGINEERING PRACTICES, ENSURING ADEQUATELY TOLERANCED LIMITS FOR PARALLELISM, PERPENDICULARITY AND CONCENTRICITY.

CONDUIT ENTRIES (N.T.S)



Nos.1 & 3 TAPPED 1" NPT
No.2 TAPPED 1 1/2" NPT
STD ALTERNATIVES IF SPECIFIED
2 X M25, 1 X M40
2 X PG16, 1 X PG29

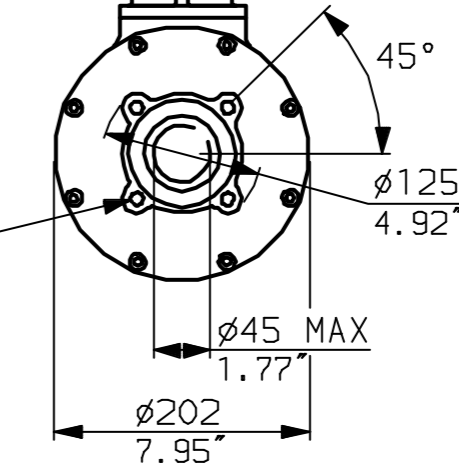


"F" version

4 HOLES TAPPED M10x15 DP
EQUI-SPACED ON A 102 PCD
(ISO5210 F10)

"FA" version

4 HOLES TAPPED 3/8" UNC
x0.6" dp EQUI-SPACED ON A
4" PCD (MSS SP102-FA10)



rotork
www.rotork.com

Rotork Controls Ltd.
Bath England, BA1 3JQ.
(Phone 01225-733200)
Rotork Controls Inc.
Rochester, NY 14624
(Phone 585-328-1550)

| | | |
|---------------------------------|---------------------|----------------|
| Title IQD10, 12, 18, LTHW, IB4, | | |
| STANDARD DIMENSIONAL DATA | | |
| Drawn CAD | Checked PRE | Ref Data Sheet |
| Date April 04 | Job No IQD1LTHW_IB4 | |

| | |
|----------------|------------------------|
| 01 | First Issue. |
| Scale 1:6 | THIRD ANGLE PROJECTION |
| Drawing Number | IQD1LTHW_IB4 |

