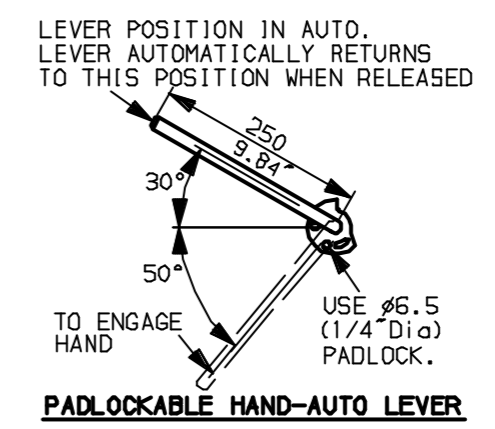
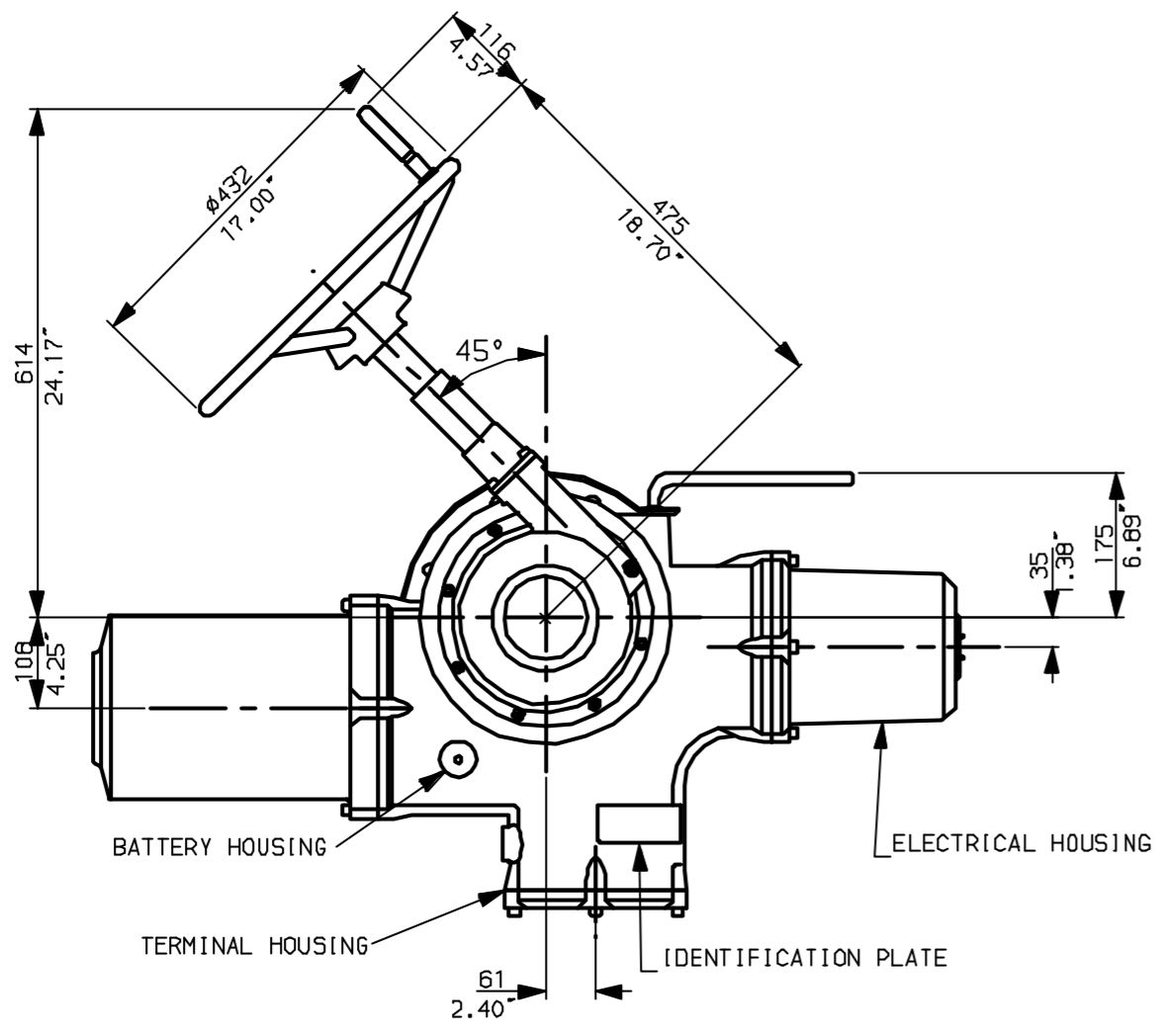
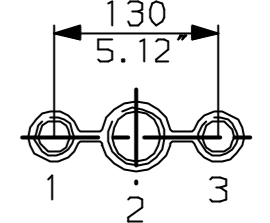


G
F
E
D
C
B
A

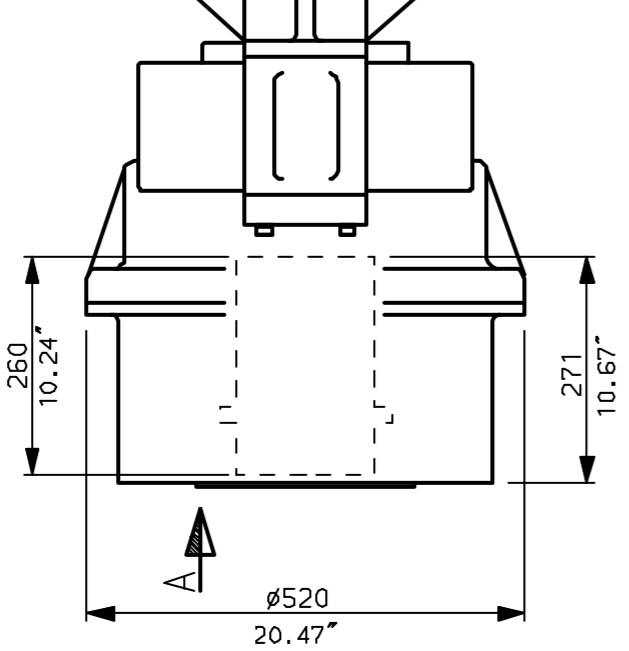
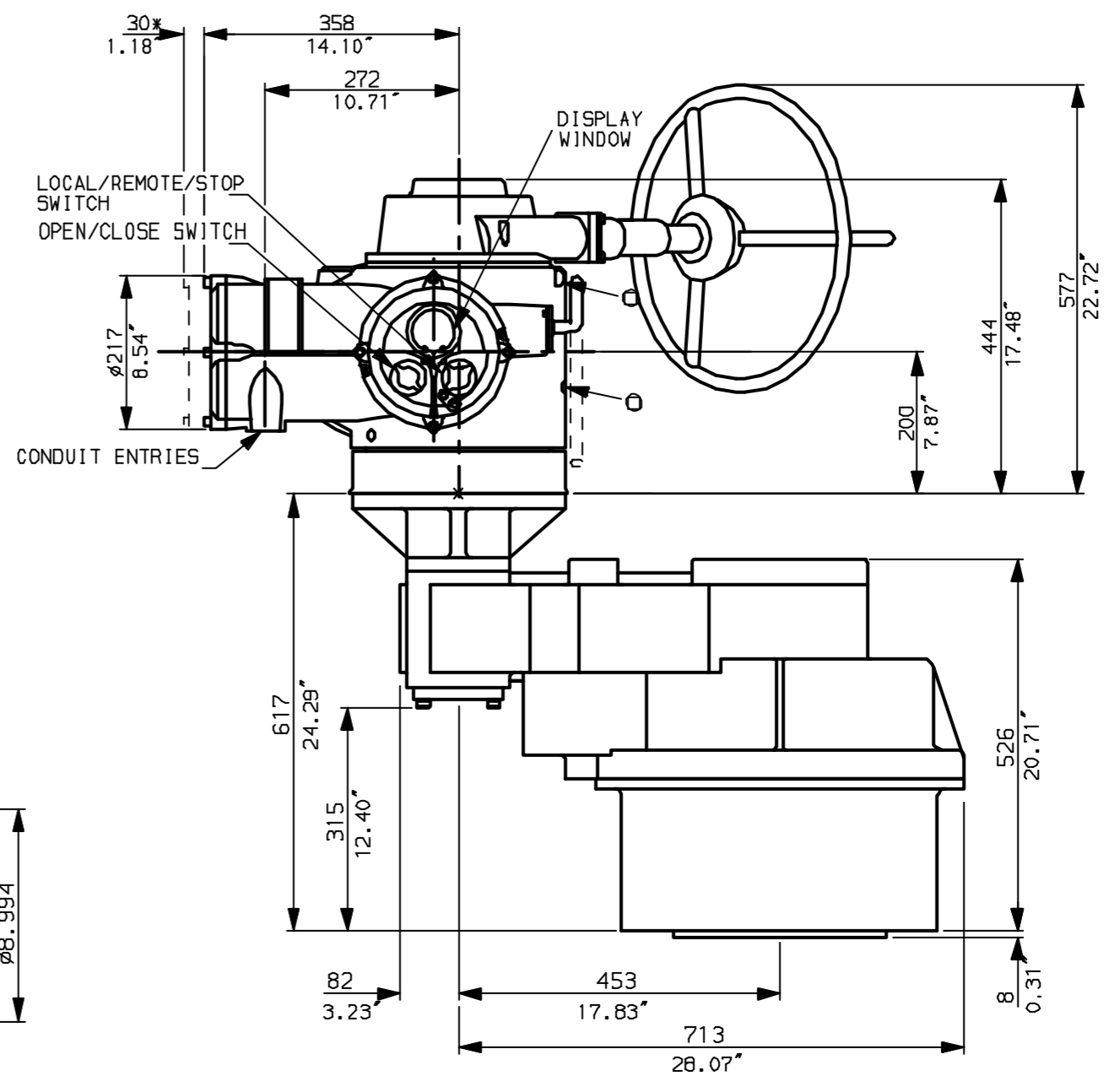
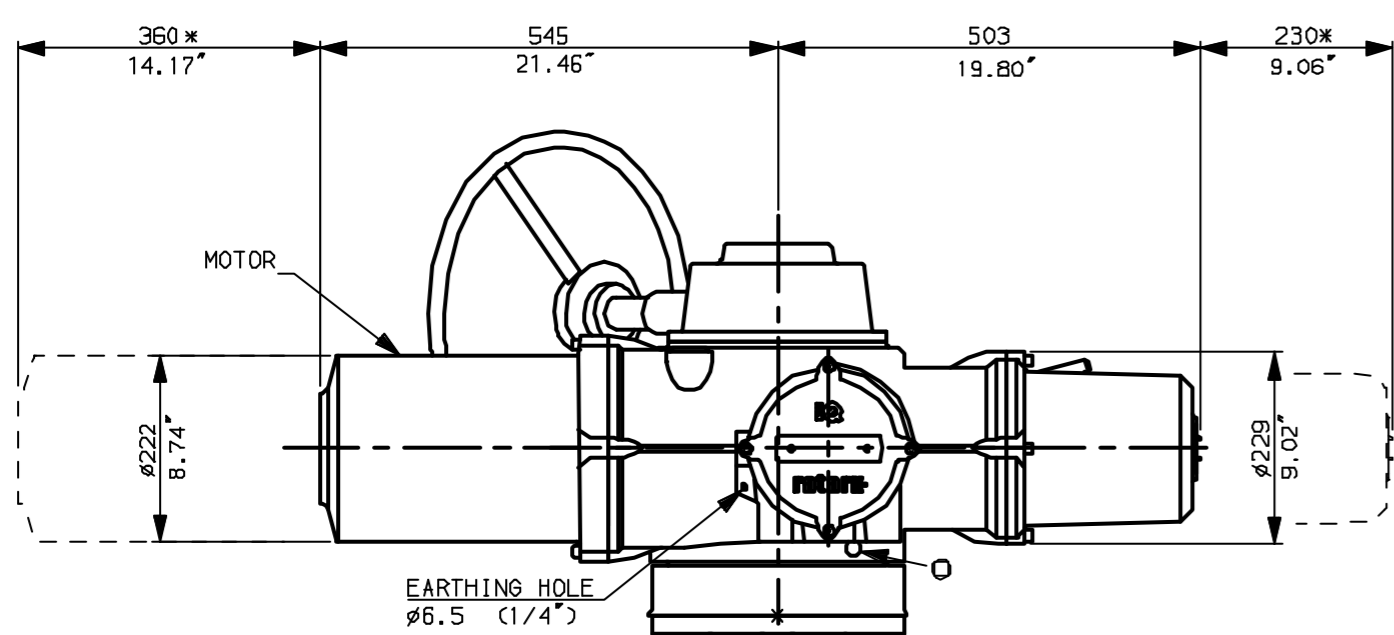


NOTES:
 * DIMENSIONS WITH '*' INDICATE COVER REMOVAL ALLOWANCE
 : NETT WEIGHT = 620kg (1364lbs)
 : ○ = OIL FILLER/DRAIN PLUG
 : THE INTERFACE PROVIDED FOR MOUNTING THE ACTUATOR OR SECOND STAGE GEARBOX ONTO THE VALVE SHOULD CONFORM TO GOOD ENGINEERING PRACTICES, ENSURING ADEQUATELY TOLERANCED LIMITS FOR PARALLELISM, PERPENDICULARITY AND CONCENTRICITY.

CONDUIT ENTRIES (N.T.S)

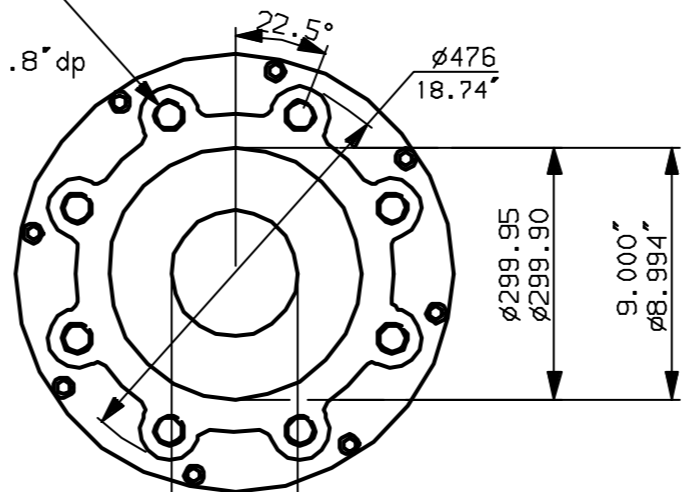


Nos.1 & 3 TAPPED 1" NPT
 No.2 TAPPED 1 1/2" NPT
 STD ALTERNATIVES IF SPECIFIED
 2 X M25, 1 X M40
 2 X PG16, 1 X PG29



"F" version
 8 HOLES TAPPED M36x45 DP
 EQUI-SPACED AS SHOWN
 ON A 406 PCD.
 (150 5210-F40)

"FA" version
 8 HOLES TAPPED 1.25"UNCx1.8"dp
 EQUI-SPACED AS SHOWN
 ON A 16" PCD.
 (MSS SP102-FA40)



Ø40 or 65 SLAVE PILOT BORE CAST IN OUTPUT SLEEVE
 Ø150MAX (THREADED STEM)
 Ø120MAX (KEYED SHAFT)

VIEW ON ARROW 'A'

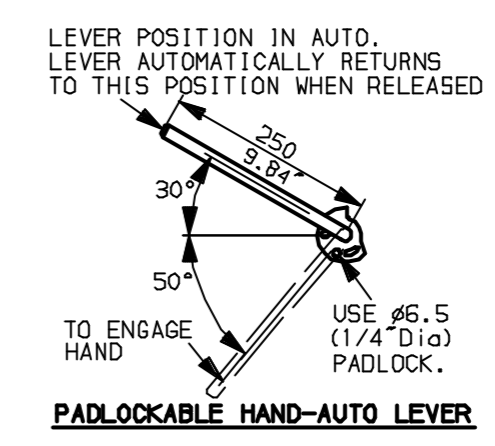
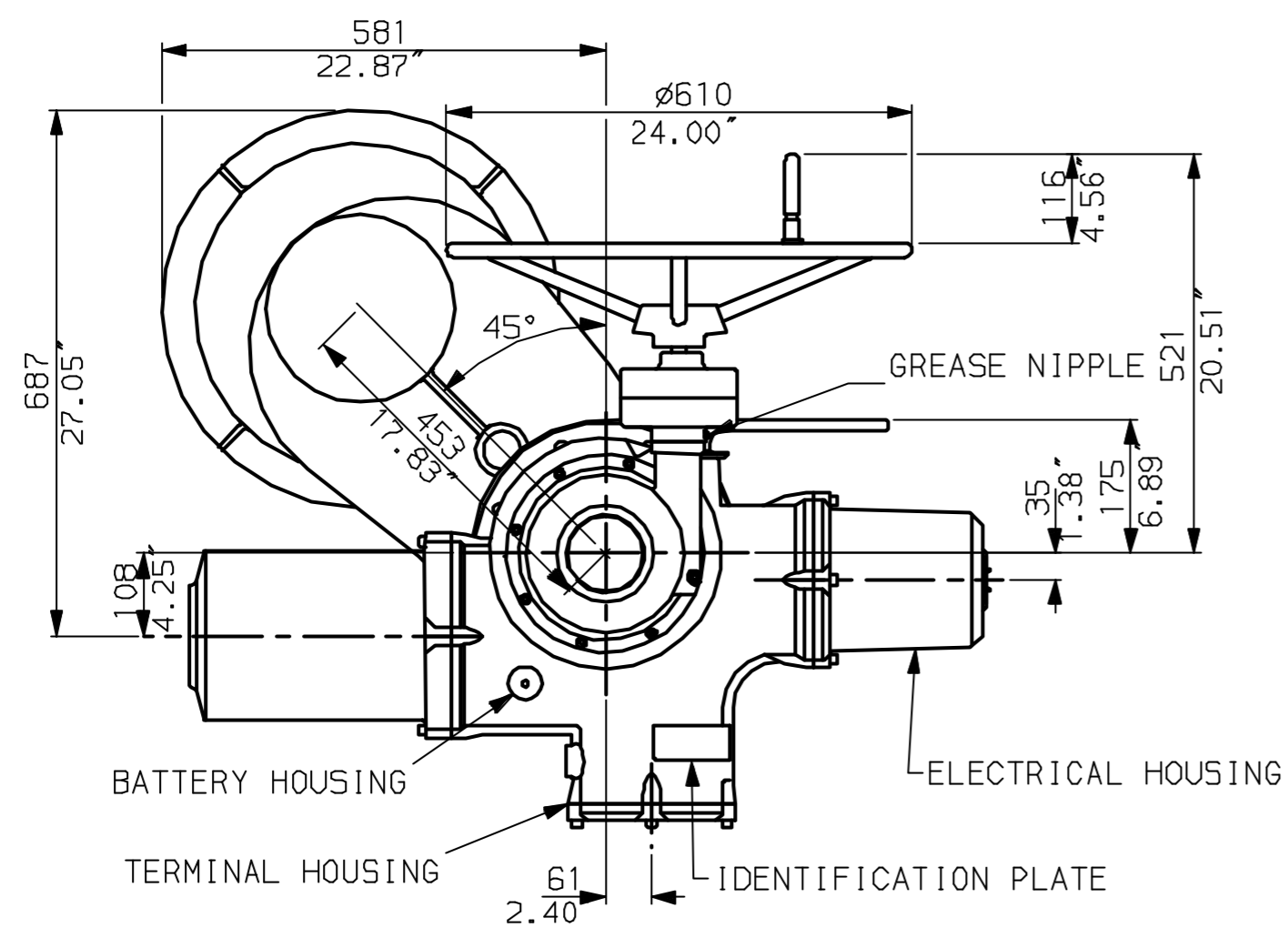


Rotork Controls Ltd. Bath England, BA1 3JQ. (Phone 01225-733200)	Title IQ91, SHW, IS16, STANDARD DIMENSIONAL DATA
Rotork Controls Inc. Rochester, NY 14624 (Phone 585-328-1550)	Drawn Cad Checked PRE Ref Data Sheet
Date April 04 Job No IQ91SHW_IS16	

01 Issue	First Issue.
Scale 1:9	THIRD ANGLE PROJECTION
Drawing Number	IQ91SHW_IS16

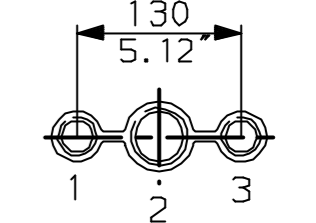
1 | 2 | 3 | 4 | 5 | 6 | 7 | 8 | 9 | 10

G
F
E
D
C
B
A

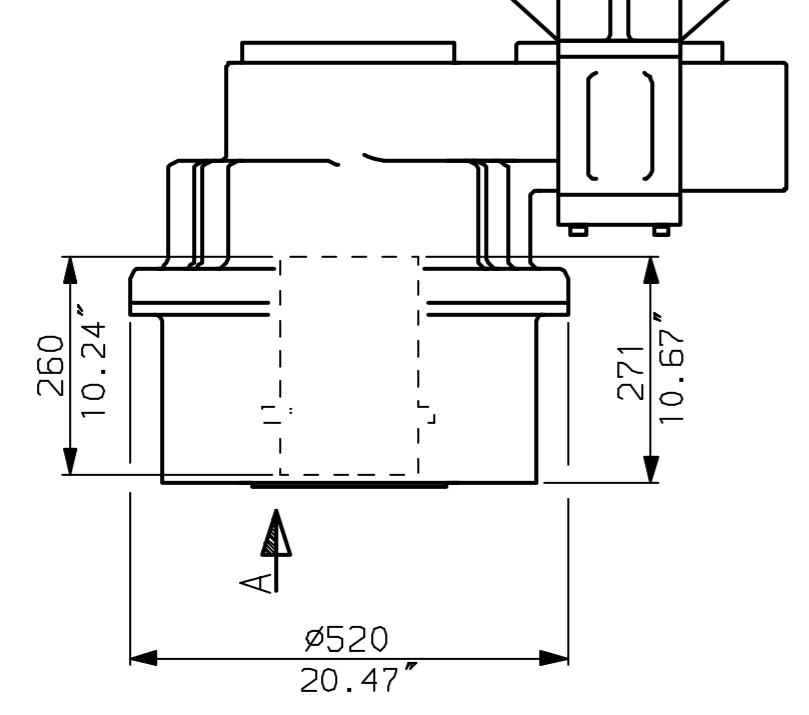
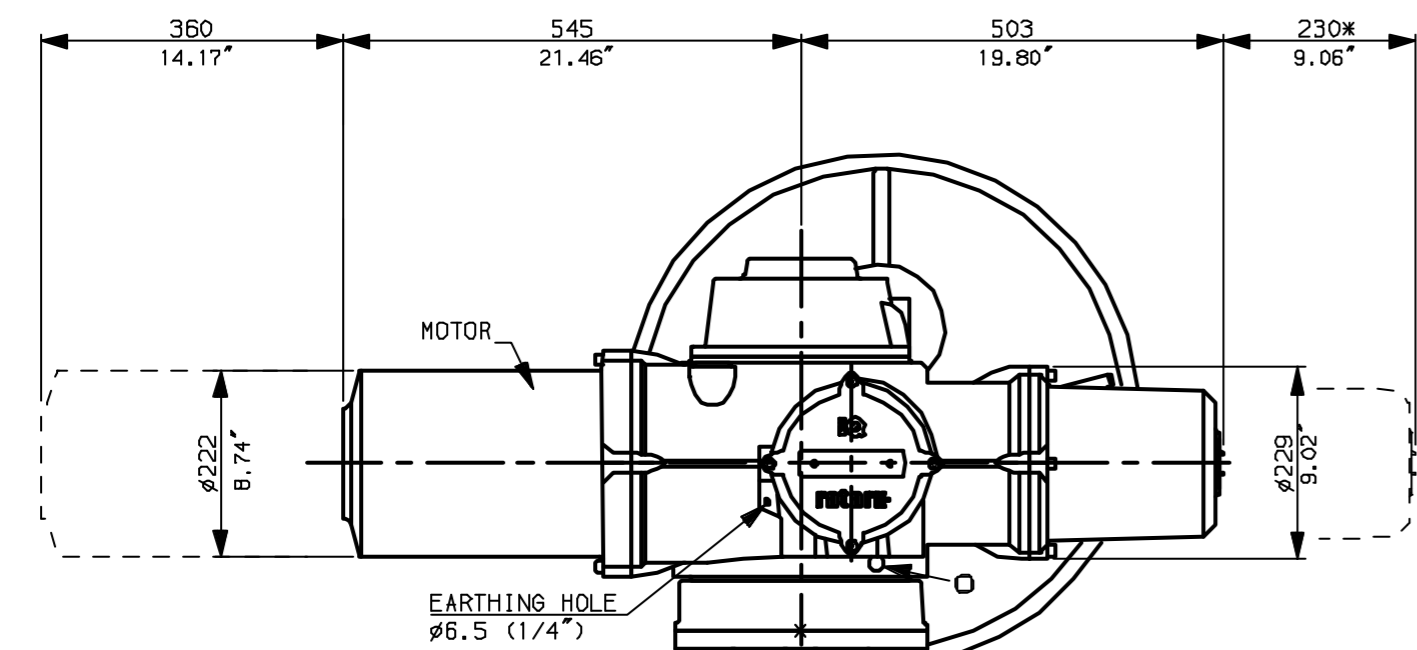


NOTES:
 * DIMENSIONS WITH '*' INDICATE COVER REMOVAL ALLOWANCE
 : NETT WEIGHT = 620kg (1364lbs)
 : = OIL FILLER/DRAIN PLUG
 : THE INTERFACE PROVIDED FOR MOUNTING THE ACTUATOR OR SECOND STAGE GEARBOX ONTO THE VALVE SHOULD CONFORM TO GOOD ENGINEERING PRACTICES, ENSURING ADEQUATELY TOLERANCED LIMITS FOR PARALLELISM, PERPENDICULARITY AND CONCENTRICITY.

CONDUIT ENTRIES (N.T.S)

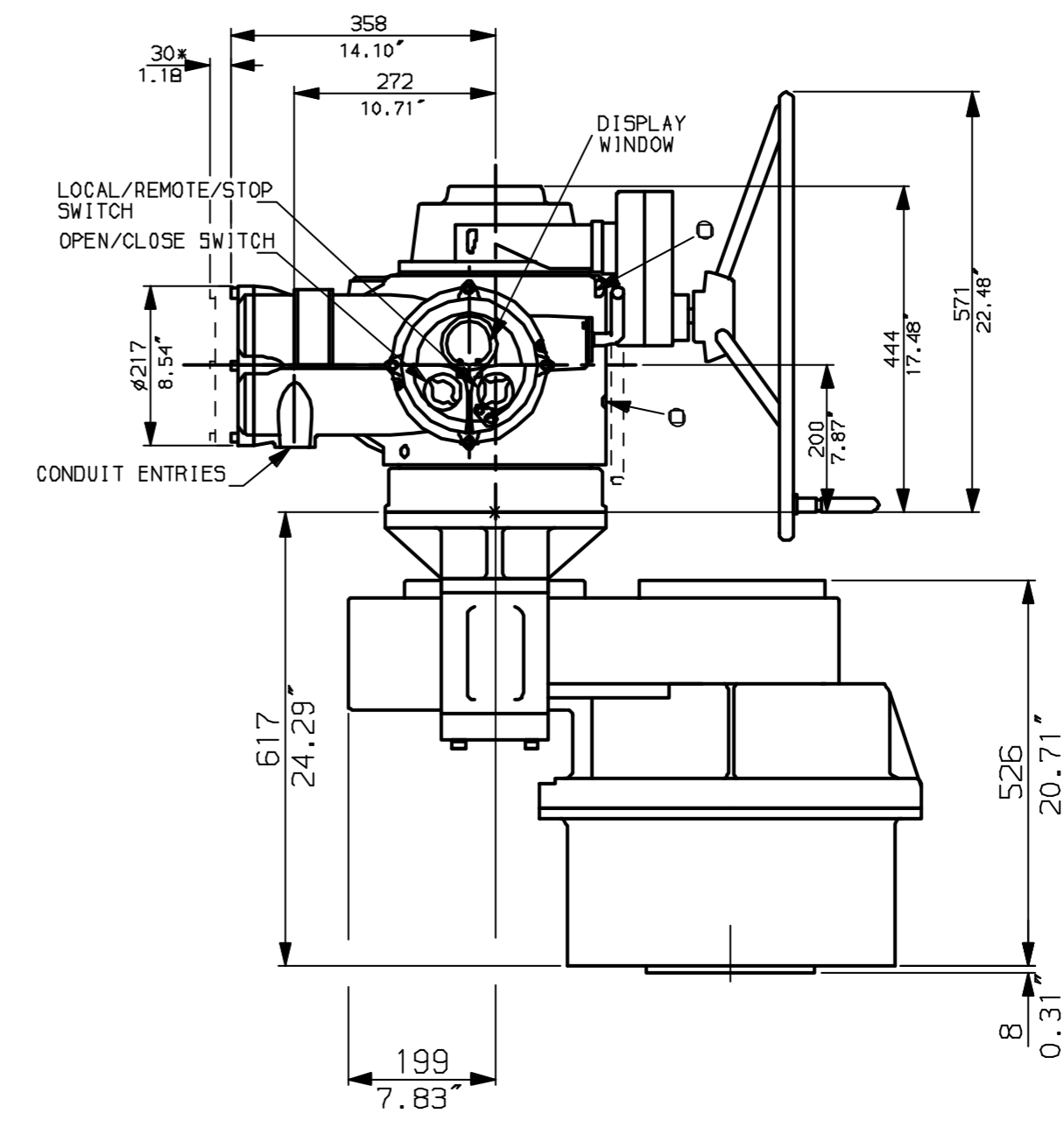
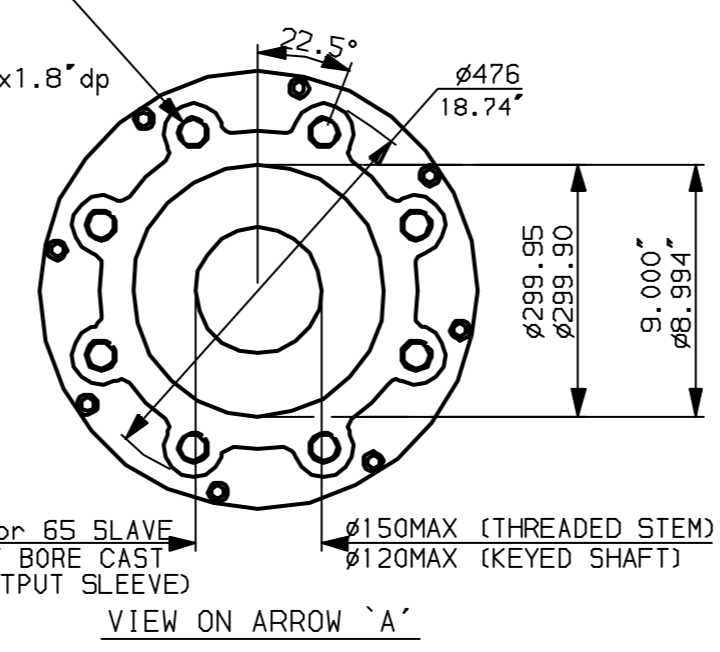


Nos.1 & 3 TAPPED 1" NPT
 No.2 TAPPED 1 1/2" NPT
 STD ALTERNATIVES IF SPECIFIED
 2 X M25, 1 X M40
 2 X PG16, 1 X PG29



"F" version
 8 HOLES TAPPED M36x45 DP
 EQUI-SPACED AS SHOWN
 ON A 406 PCD.
 (ISO 5210-F40)

"FA" version
 8 HOLES TAPPED 1.25"UNCx1.8" dp
 EQUI-SPACED AS SHOWN
 ON A 16" PCD.
 (MSS SP102-FA40)



Rotork Controls Ltd.
 Bath England, BA1 3JQ.
 (Phone 01225-733200)
 Rotork Controls Inc.
 Rochester, NY 14624
 (Phone 585-328-1550)

Title IQ91, SSHW, IS16,		
STANDARD DIMENSIONAL DATA		
Drawn Cad	Checked PRE	Ref Data Sheet
Date April 04	Job No	IQ91SSHW_IS16

01	First Issue.
Scale	1:9 THIRD ANGLE PROJECTION
Drawing Number	IQ91SSHW_IS16

1 | 2 | 3 | 4 | 5 | 6 | 7 | 8 | 9 | 10