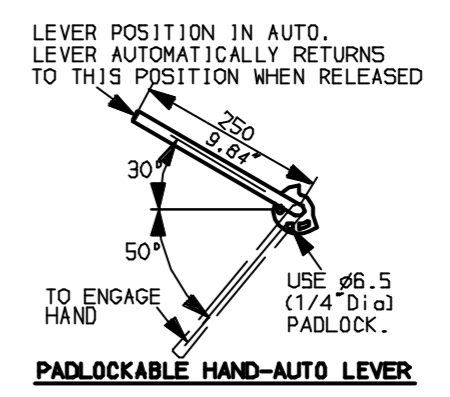
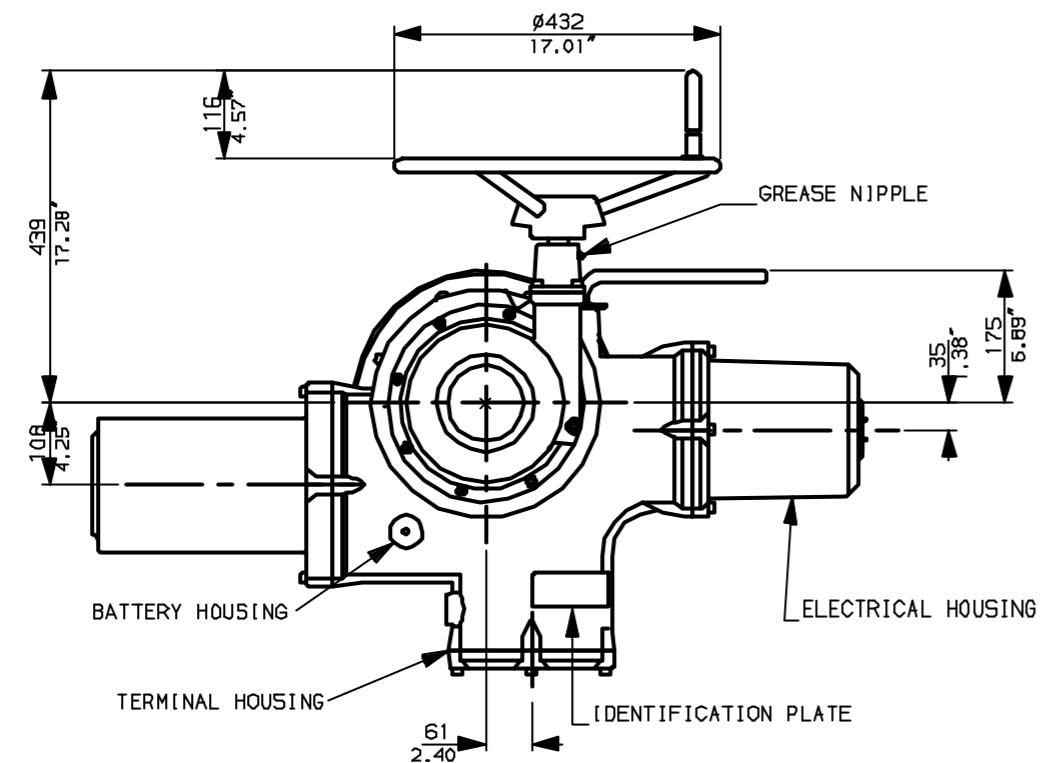
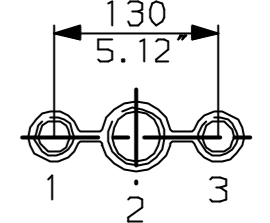


G
F
E
D
C
B
A

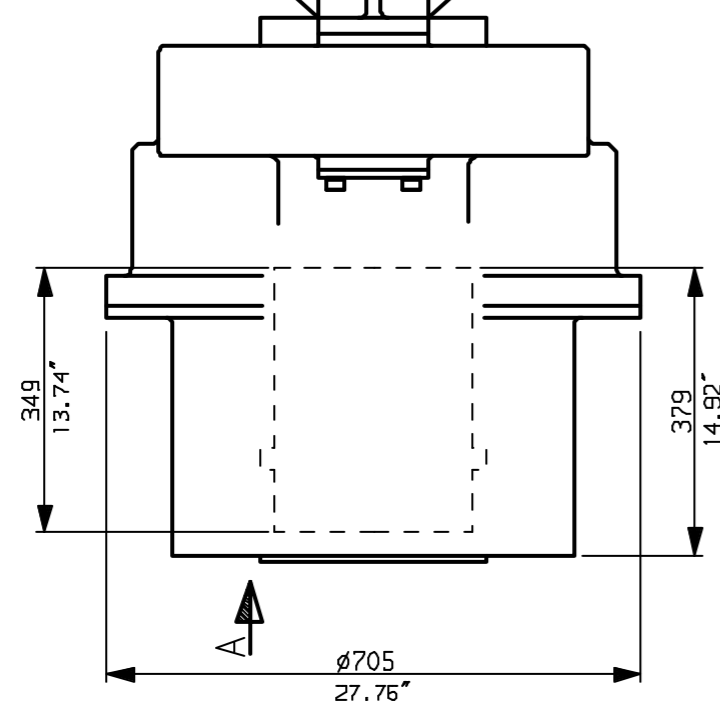
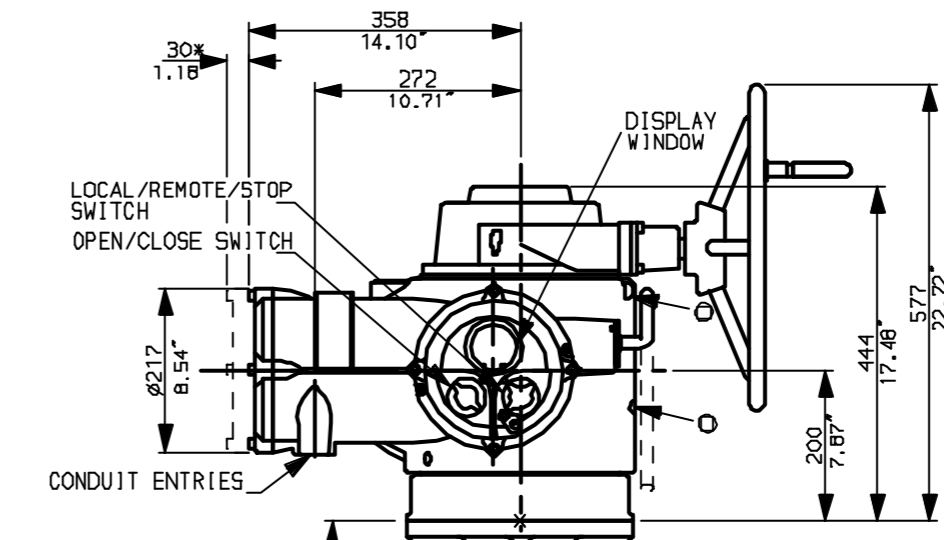
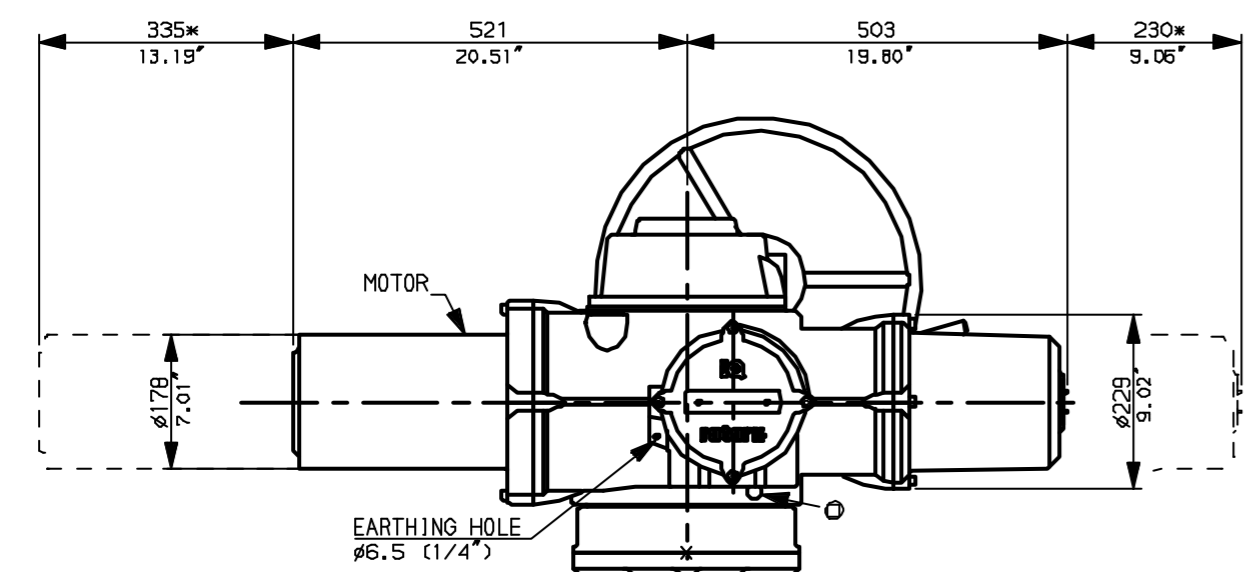


NOTES:
 : DIMENSIONS WITH '*' INDICATE COVER REMOVAL ALLOWANCE
 : NETT WEIGHT = 1195kg (2629lbs)
 : = OIL FILLER/DRAIN PLUG
 : THE INTERFACE PROVIDED FOR MOUNTING THE ACTUATOR OR SECOND STAGE GEARBOX ONTO THE VALVE SHOULD CONFORM TO GOOD ENGINEERING PRACTICES, ENSURING ADEQUATELY TOLERANCED LIMITS FOR PARALLELISM, PERPENDICULARITY AND CONCENTRICITY.

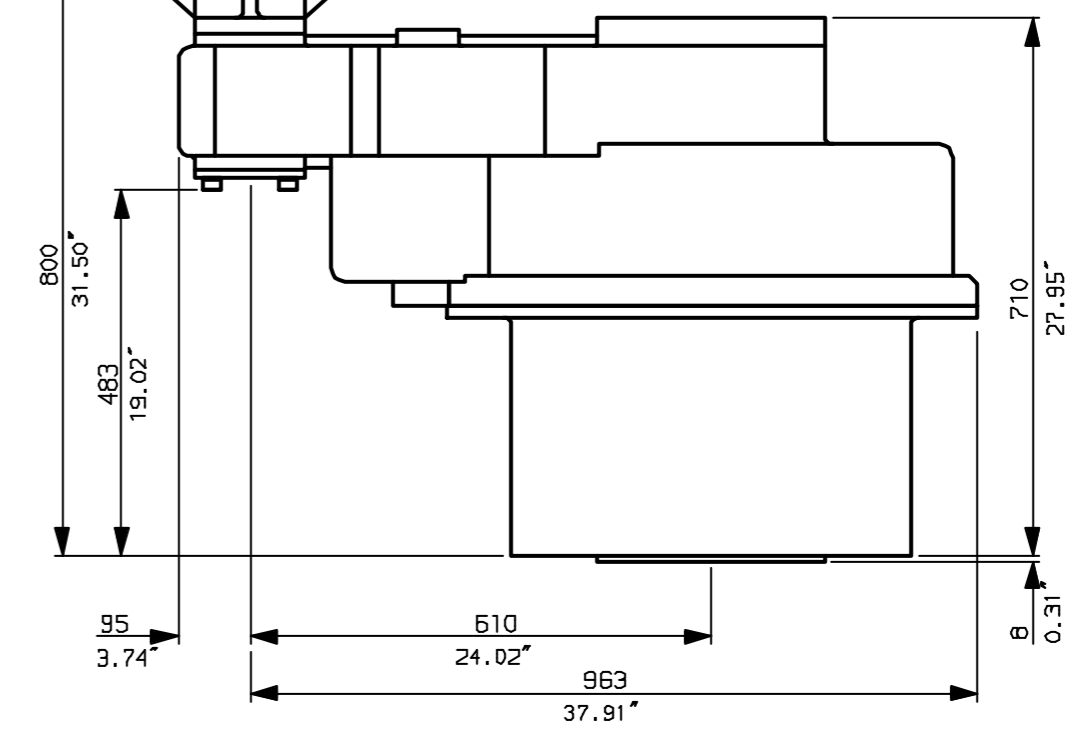
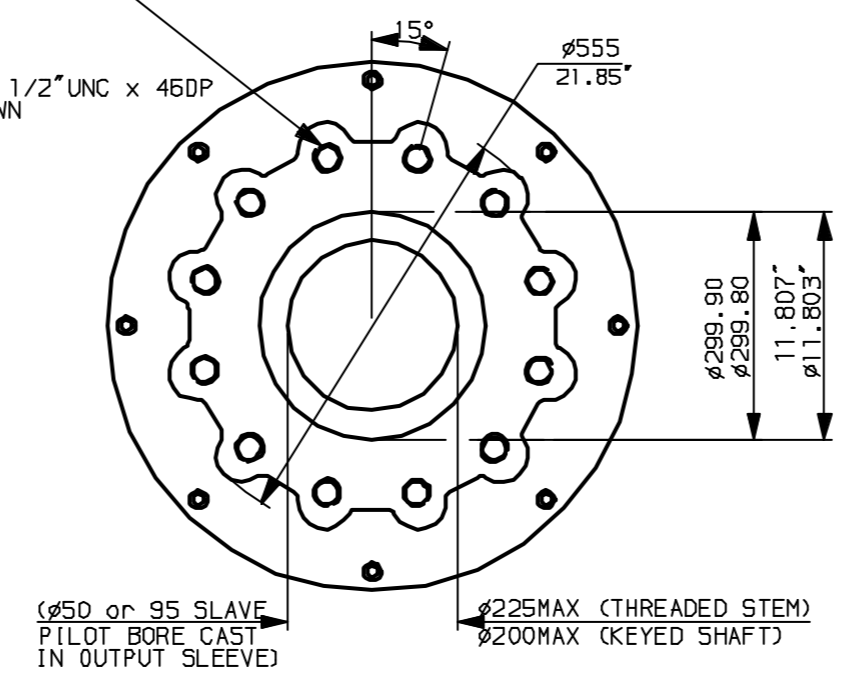
CONDUIT ENTRIES (N.T.S)



Nos.1 & 3 TAPPED 1" NPT
 No.2 TAPPED 1 1/2" NPT
 STD ALTERNATIVES IF SPECIFIED
 2 X M25, 1 X M40
 2 X PG16, 1 X PG29



"F" version
 12 HOLES, TAPPED M36x45 DP
 EQUI-SPACED AS SHOWN
 ON A 460 PCD.
 "FA" version
 12 HOLES, TAPPED 1 1/2" UNC x 46DP
 EQUI-SPACED AS SHOWN
 ON A 18.11" PCD

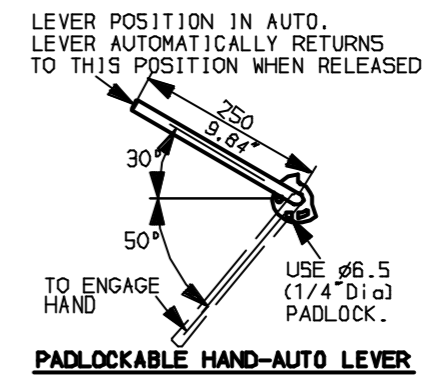
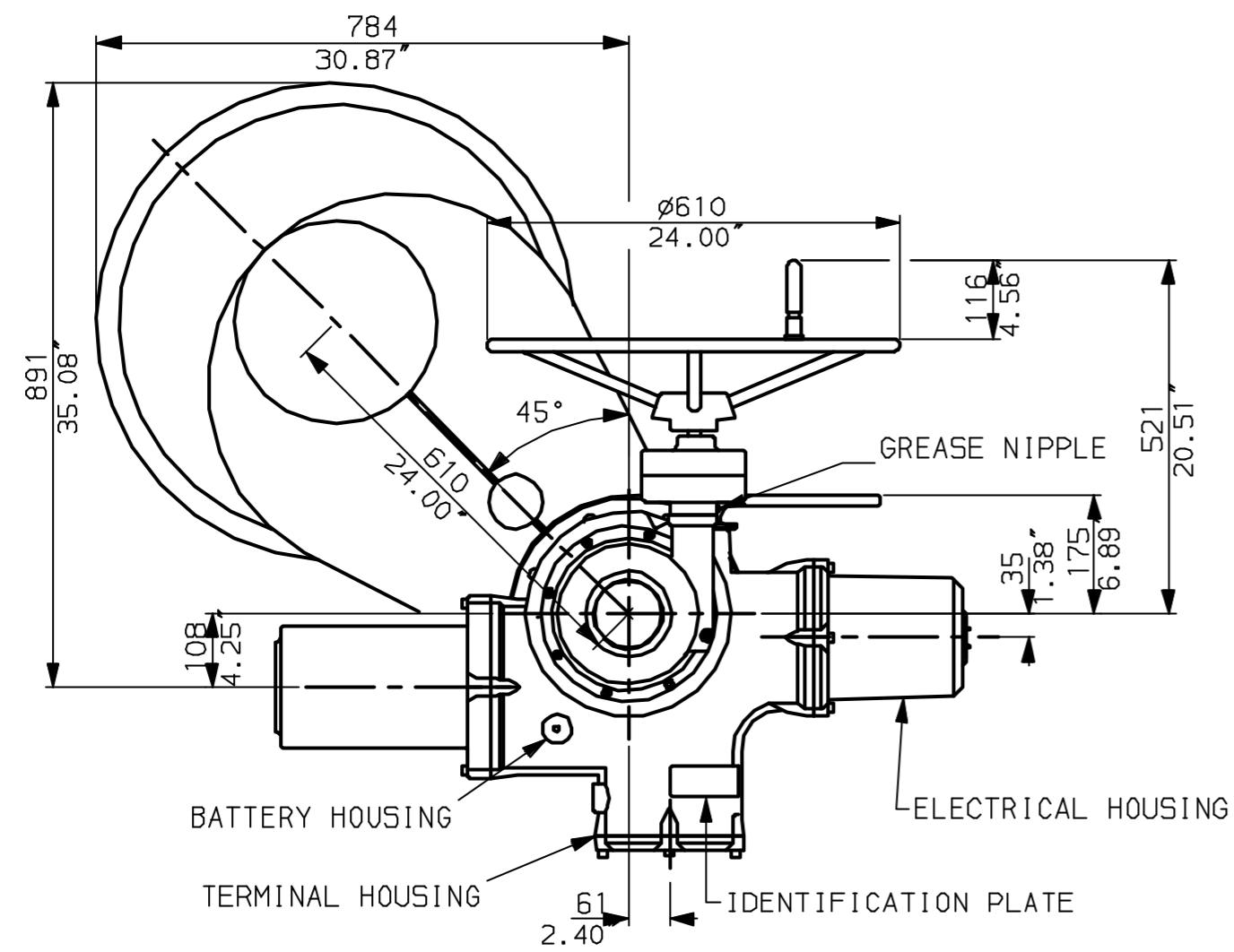


Rotork Controls Ltd.
 Bath England, BA1 3JQ.
 (Phone 01225-733200)
 Rotork Controls Inc.
 Rochester, NY 14624
 (Phone 585-328-1550)

Title IQ70, 90, SHW, IS20,		
STANDARD DIMENSIONAL DATA		
Drawn Cad	Checked PRE	Ref Data Sheet
Date April 04	Job No IQ55HW_IS20	

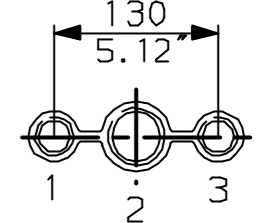
01	First Issue.
Scale 1:10	THIRD ANGLE PROJECTION
Drawing Number	IQ55HW_IS20

1 | 2 | 3 | 4 | 5 | 6 | 7 | 8 | 9 | 10

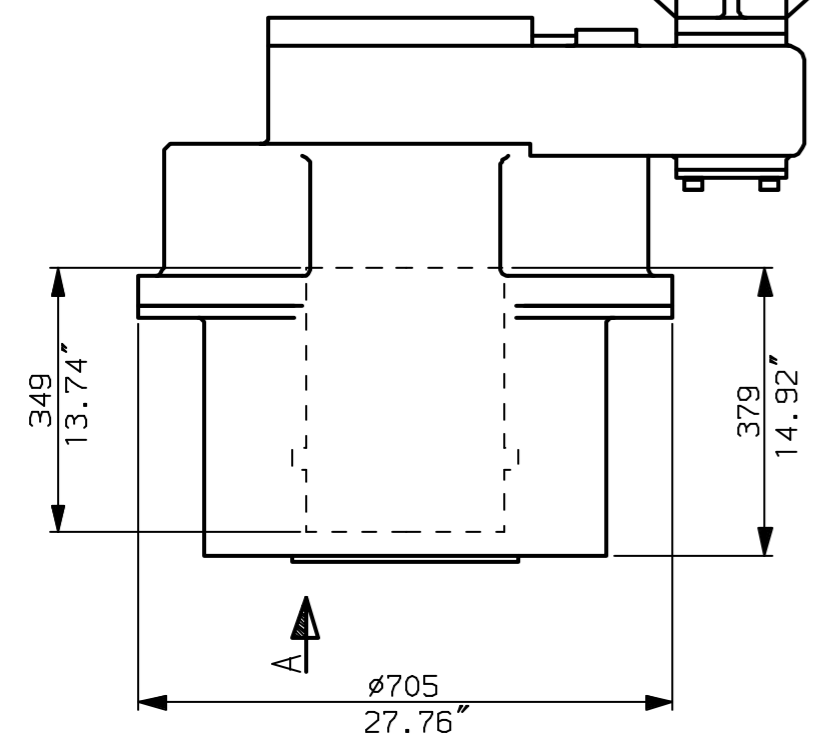
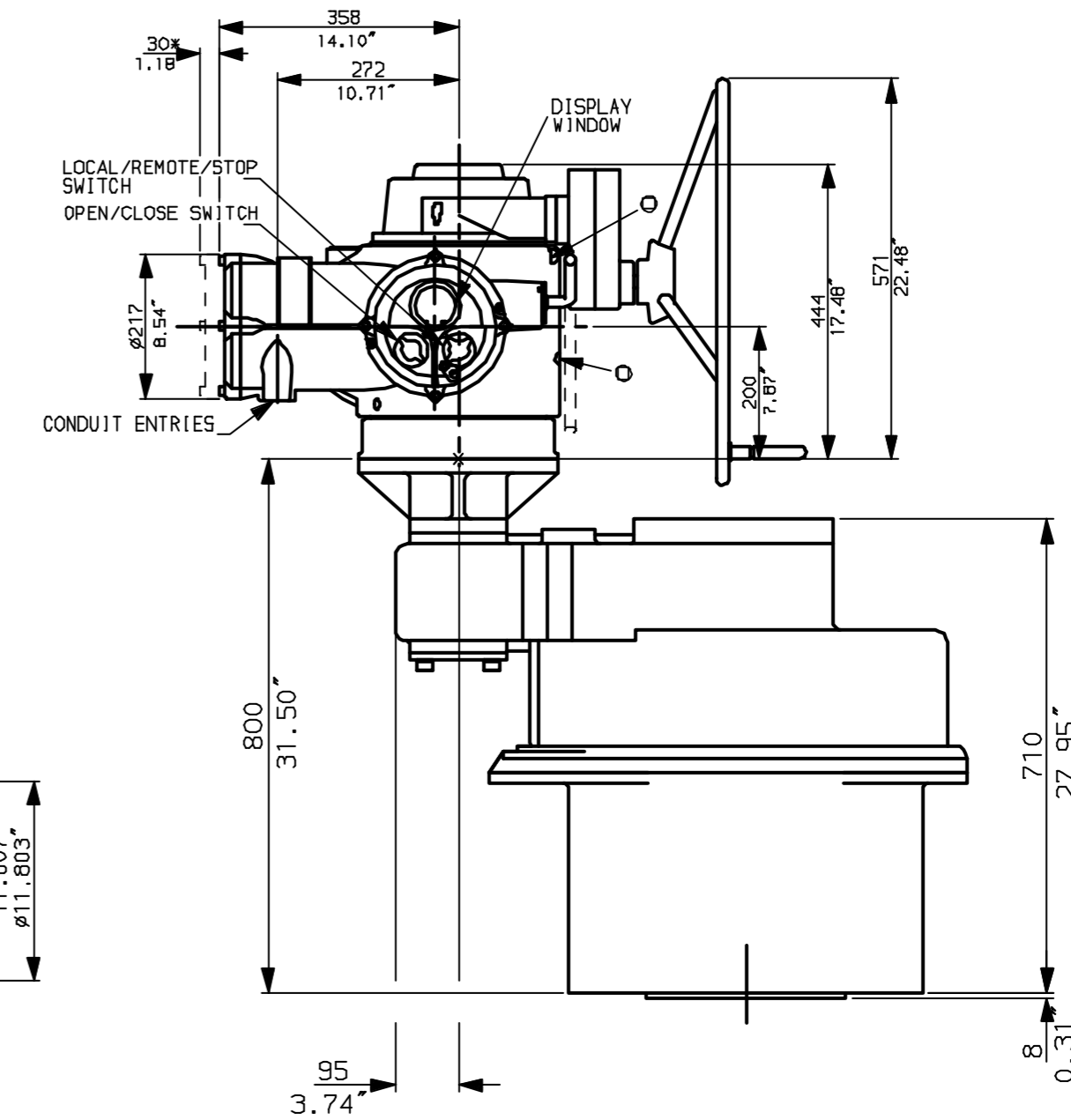
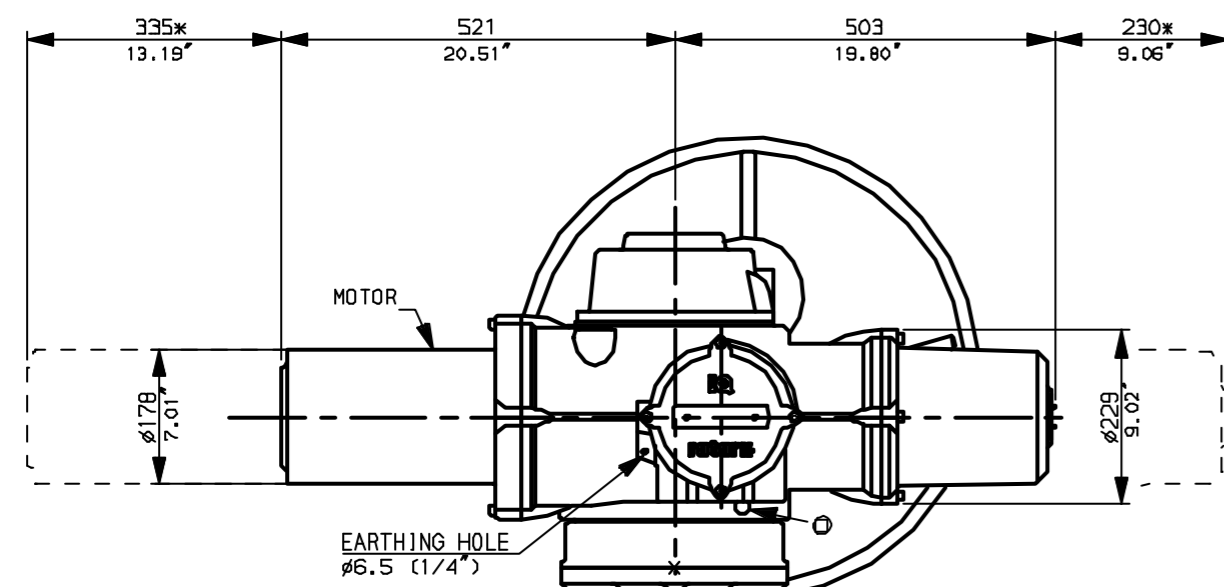


NOTES:
 * DIMENSIONS WITH '*' INDICATE COVER REMOVAL ALLOWANCE
 : NETT WEIGHT = 1195kg (2629lbs)
 : = OIL FILLER/DRAIN PLUG
 : THE INTERFACE PROVIDED FOR MOUNTING THE ACTUATOR OR SECOND STAGE GEARBOX ONTO THE VALVE SHOULD CONFORM TO GOOD ENGINEERING PRACTICES, ENSURING ADEQUATELY TOLERANCED LIMITS FOR PARALLELISM, PERPENDICULARITY AND CONCENTRICITY.

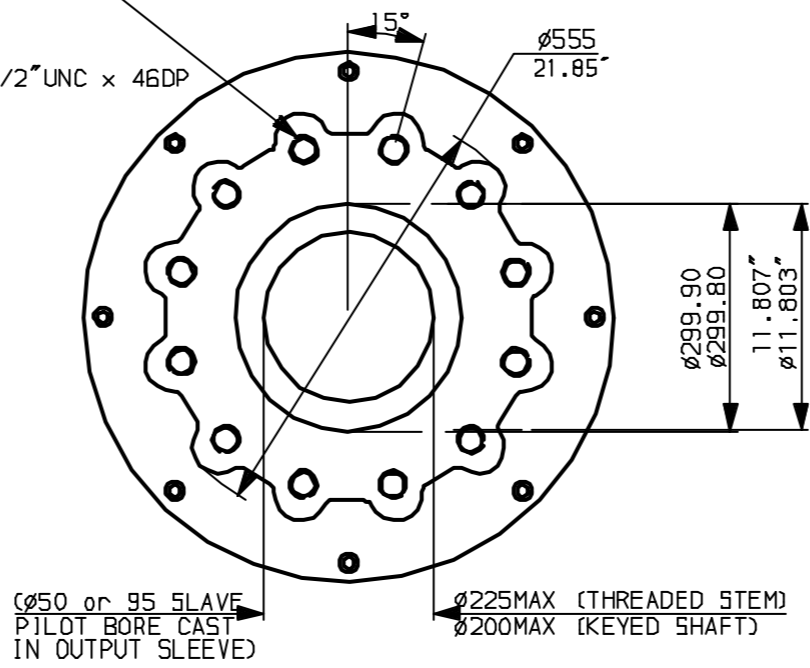
CONDUIT ENTRIES (N.T.S)



Nos.1 & 3 TAPPED 1" NPT
 No.2 TAPPED 1 1/2" NPT
 STD ALTERNATIVES IF SPECIFIED
 2 X M25, 1 X M40
 2 X PG16, 1 X PG29



"F" version
 12 HOLES, TAPPED M36x45 DP
 EQUI-SPACED AS SHOWN
 ON A 460 PCD.
 "FA" version
 12 HOLES, TAPPED 1 1/2" UNC x 46DP
 EQUI-SPACED AS SHOWN
 ON A 18.11" PCD



VIEW ON ARROW 'A'



Rotork Controls Ltd.
 Bath England, BA1 3JQ.
 (Phone 01225-733200)
 Rotork Controls Inc.
 Rochester, NY 14624
 (Phone 585-328-1550)

Title IQ70, 90, SSSH, IS20,		
STANDARD DIMENSIONAL DATA		
Drawn Cad	Checked PRE	Ref Data Sheet
Date April 04	Job No	IQ5SSHW_IS20

01	First Issue.
Scale	1:10 THIRD ANGLE PROJECTION
Drawing Number	IQ5SSHW_IS20