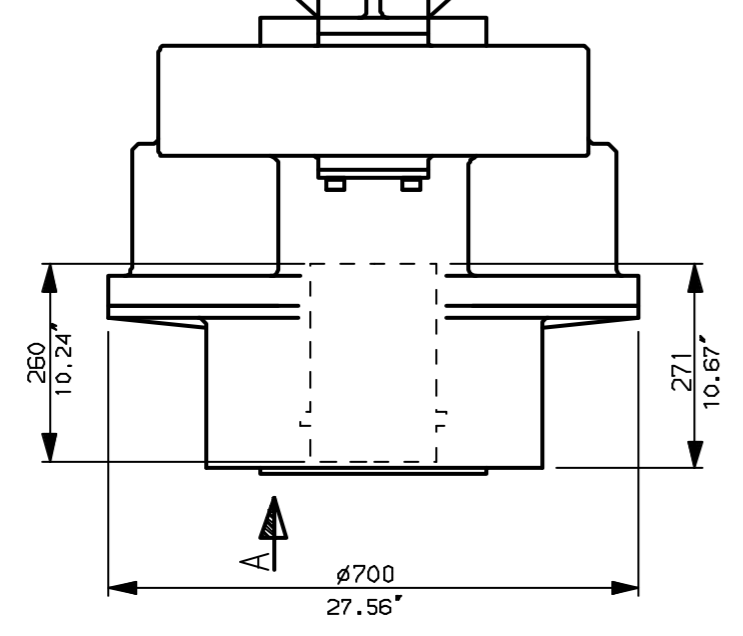
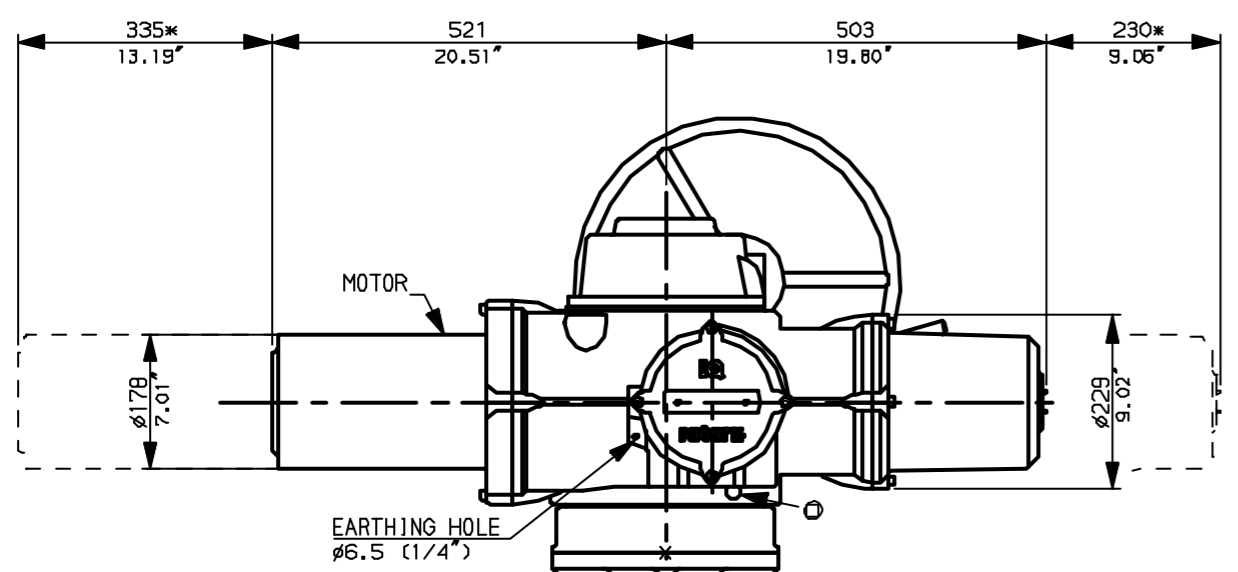
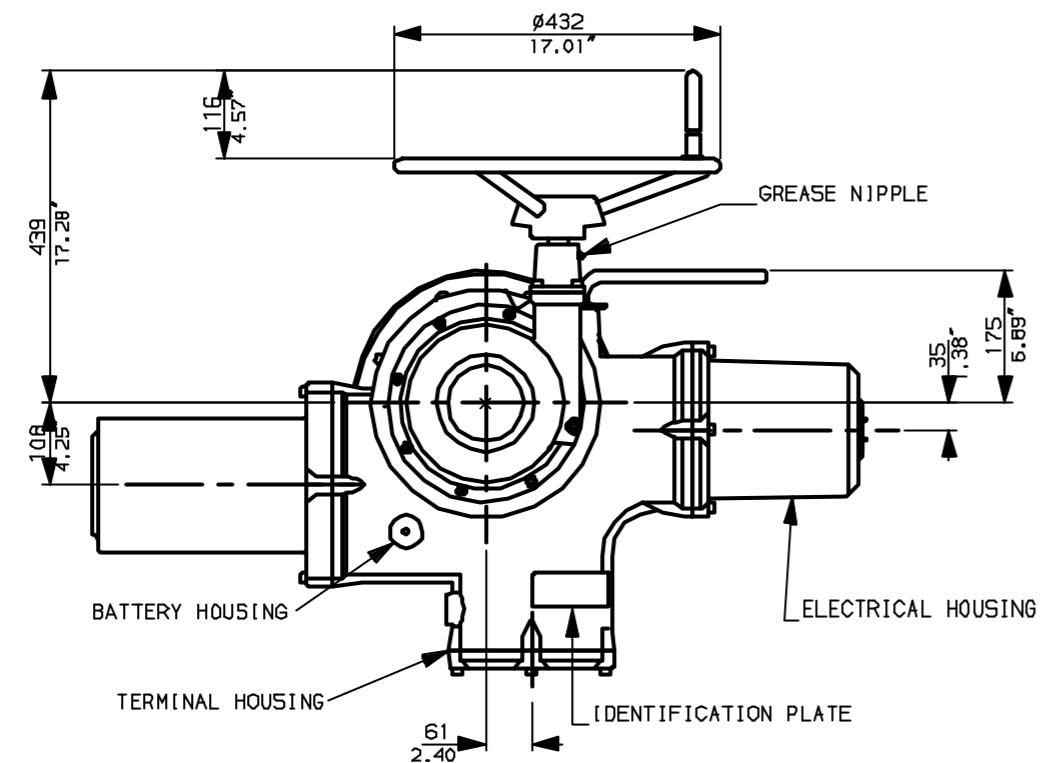
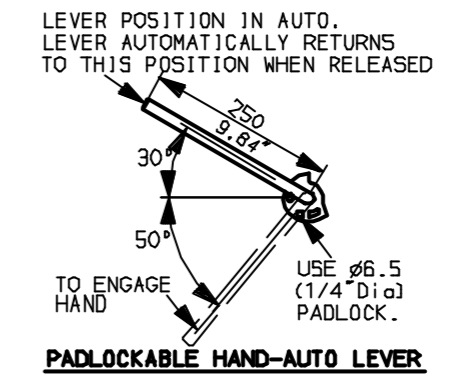
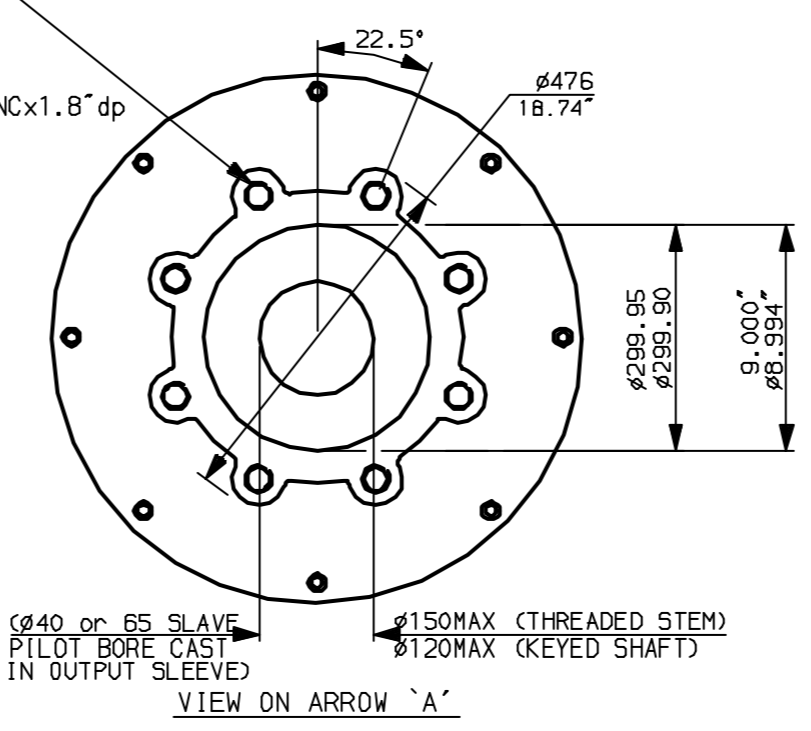


G  
F  
E  
D  
C  
B  
A



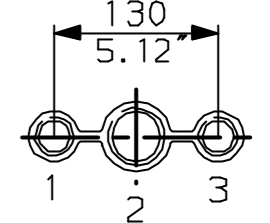
"F" version  
8 HOLES TAPPED M36x45 DP  
EQUI-SPACED AS SHOWN  
ON A 406 PCD.  
(150 5210-F40)

"FA" version  
8 HOLES TAPPED 1.25"UNCx1.8"dp  
EQUI-SPACED AS SHOWN  
ON A 16" PCD.  
(MSS 5P102-FA40)

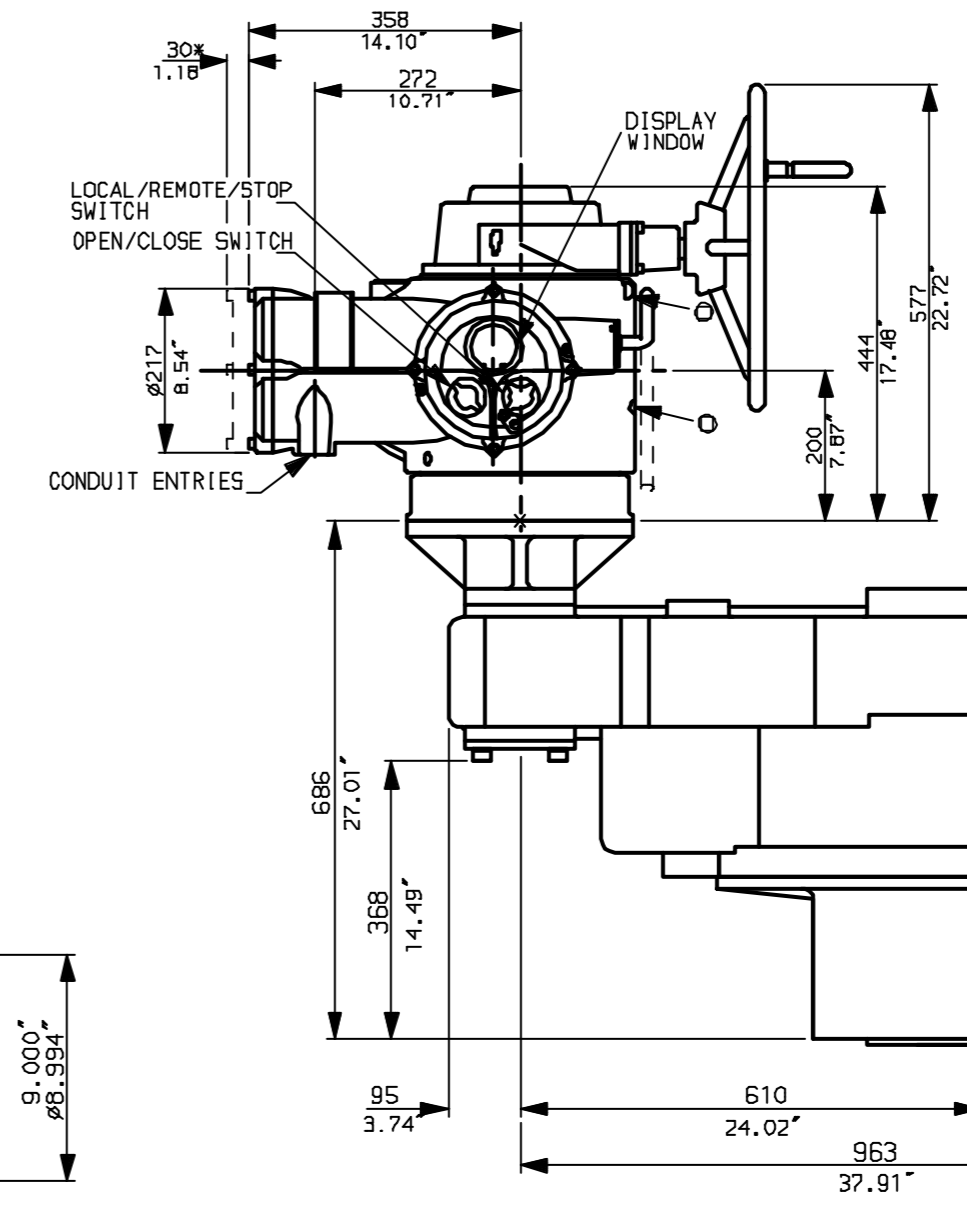


NOTES:  
DIMENSIONS WITH '\*' INDICATE COVER REMOVAL ALLOWANCE  
NETT WEIGHT = 965kg (2123lbs)  
OIL FILLER/DRAIN PLUG  
THE INTERFACE PROVIDED FOR MOUNTING THE ACTUATOR OR SECOND STAGE GEARBOX ONTO THE VALVE SHOULD CONFORM TO GOOD ENGINEERING PRACTICES, ENSURING ADEQUATELY TOLERANCED LIMITS FOR PARALLELISM, PERPENDICULARITY AND CONCENTRICITY.

CONDUIT ENTRIES (N.T.S)



Nos.1 & 3 TAPPED 1" NPT  
No.2 TAPPED 1 1/2" NPT  
STD ALTERNATIVES IF SPECIFIED  
2 X M25, 1 X M40  
2 X PG16, 1 X PG29



Rotork Controls Ltd.  
Bath England, BA1 3JQ.  
(Phone 01225-733200)

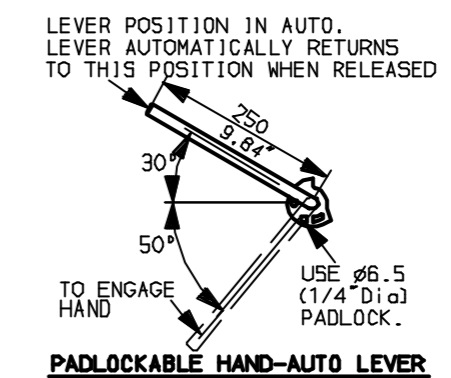
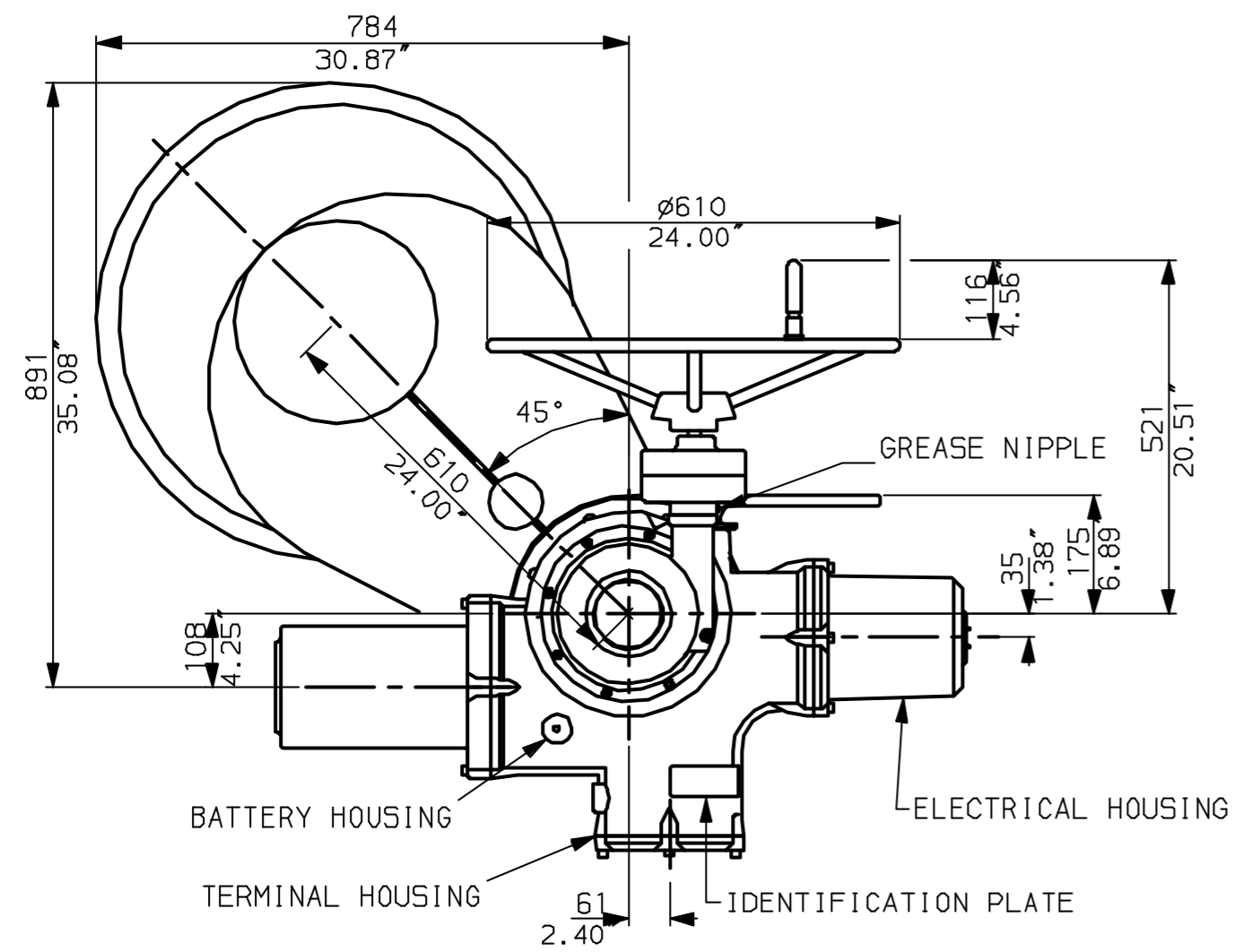
Rotork Controls Inc.  
Rochester, NY 14624  
(Phone 585-328-1550)

Title IQ70, 90, SHW, IS18,		
STANDARD DIMENSIONAL DATA		
Drawn Cad	Checked PRE	Ref Data Sheet
Date April 04	Job No	IQ55HW_IS18

01	First Issue.
Scale	1:10 THIRD ANGLE PROJECTION
Drawing Number	IQ55HW_IS18

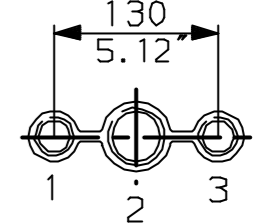
1 | 2 | 3 | 4 | 5 | 6 | 7 | 8 | 9 | 10

G  
F  
E  
D  
C  
B  
A

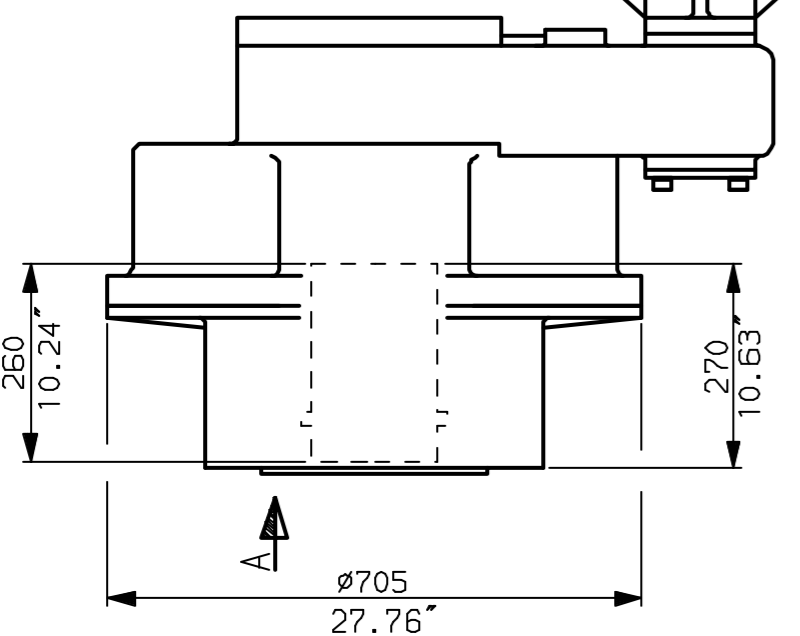
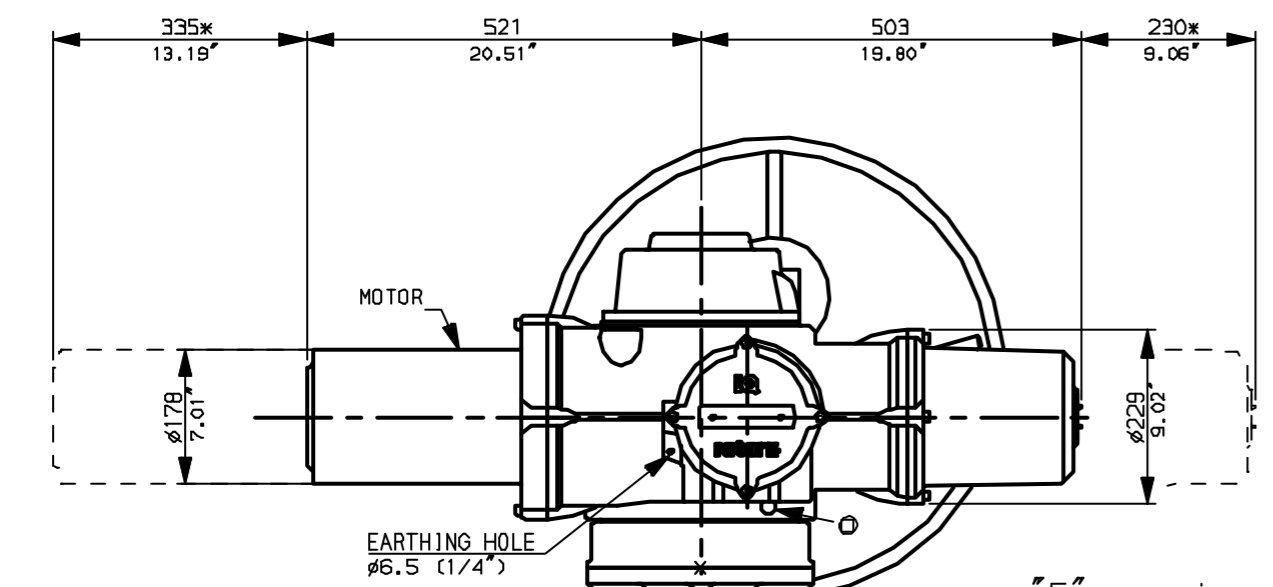


NOTES:  
 \* DIMENSIONS WITH '\*' INDICATE COVER REMOVAL ALLOWANCE  
 : NETT WEIGHT = 965kg (2123lbs)  
 : = OIL FILLER/DRAIN PLUG  
 : THE INTERFACE PROVIDED FOR MOUNTING THE ACTUATOR OR SECOND STAGE GEARBOX ONTO THE VALVE SHOULD CONFORM TO GOOD ENGINEERING PRACTICES, ENSURING ADEQUATELY TOLERANCED LIMITS FOR PARALLELISM, PERPENDICULARITY AND CONCENTRICITY.

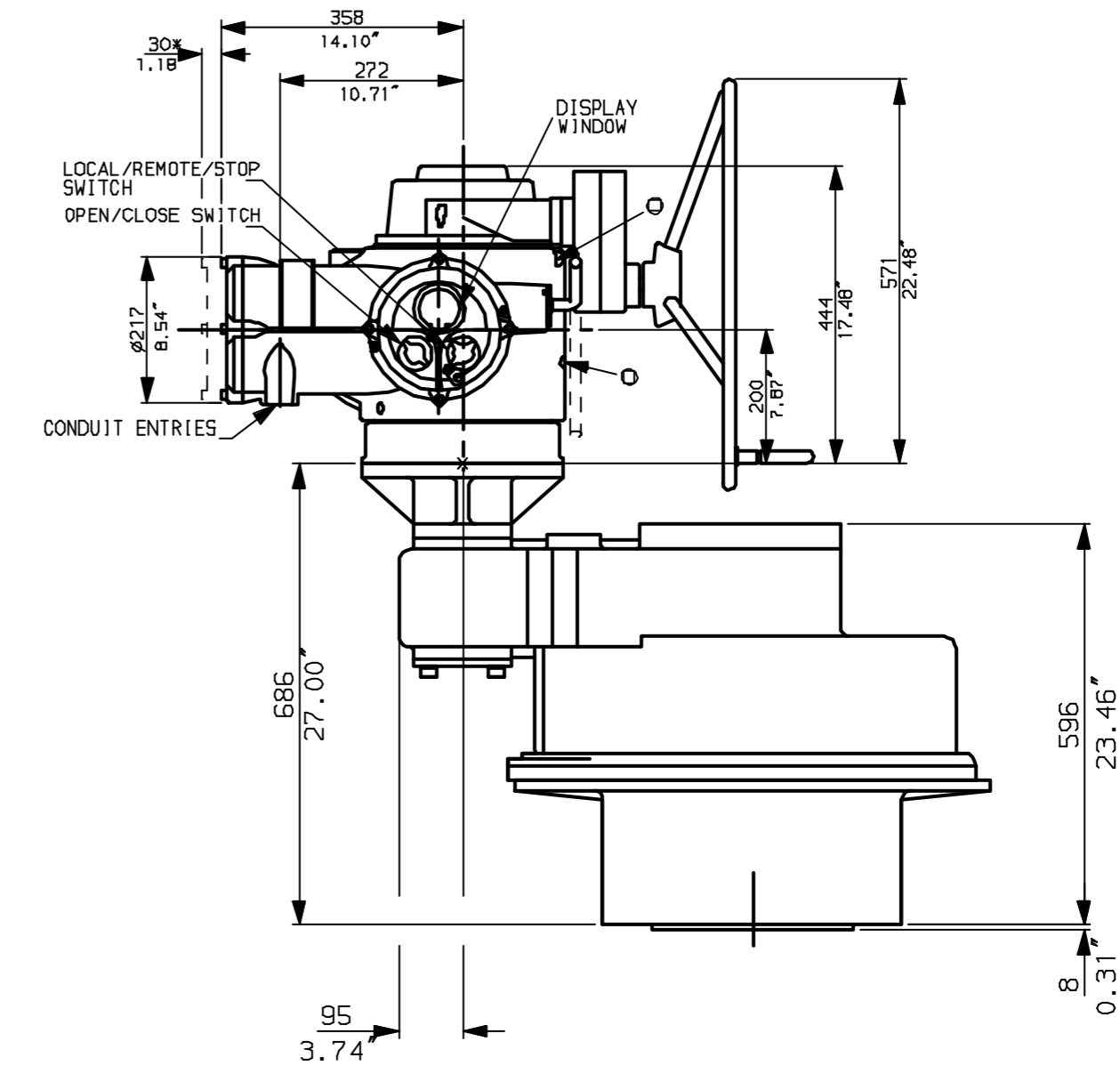
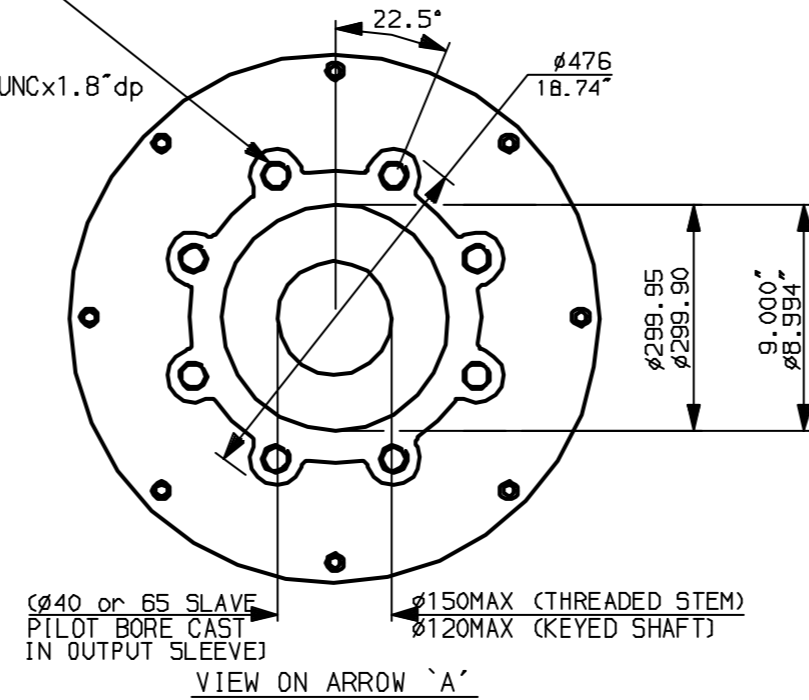
CONDUIT ENTRIES (N.T.S)



Nos.1 & 3 TAPPED 1" NPT  
 No.2 TAPPED 1 1/2" NPT  
 STD ALTERNATIVES IF SPECIFIED  
 2 X M25, 1 X M40  
 2 X PG16, 1 X PG29



"F" version  
 8 HOLES TAPPED M36x45 DP  
 EQUI-SPACED AS SHOWN  
 ON A 406 PCD.  
 (ISO 5210-F40)  
 "FA" version  
 8 HOLES TAPPED 1.25"UNCx1.8" dp  
 EQUI-SPACED AS SHOWN  
 ON A 16" PCD.  
 (MSS 5P102-FA40)



Rotork Controls Ltd.  
 Bath England, BA1 3JQ.  
 (Phone 01225-733200)  
 Rotork Controls Inc.  
 Rochester, NY 14624  
 (Phone 585-328-1550)

Title IQ70, 90, SSSH, IS18,		
STANDARD DIMENSIONAL DATA		
Drawn Cad	Checked PRE	Ref Data Sheet
Date April 04	Job No	IQ5SSHW_IS18

01	First Issue.
Scale	1:10 THIRD ANGLE PROJECTION
Drawing Number	IQ5SSHW_IS18

1 | 2 | 3 | 4 | 5 | 6 | 7 | 8 | 9 | 10