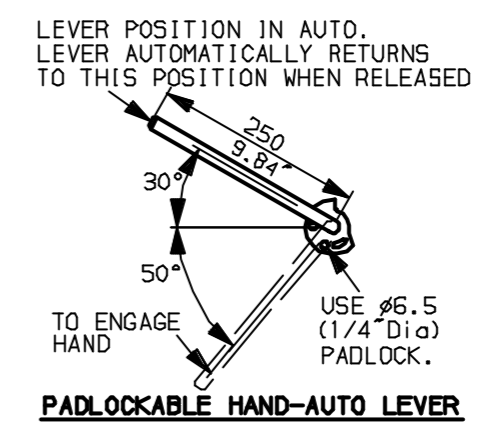
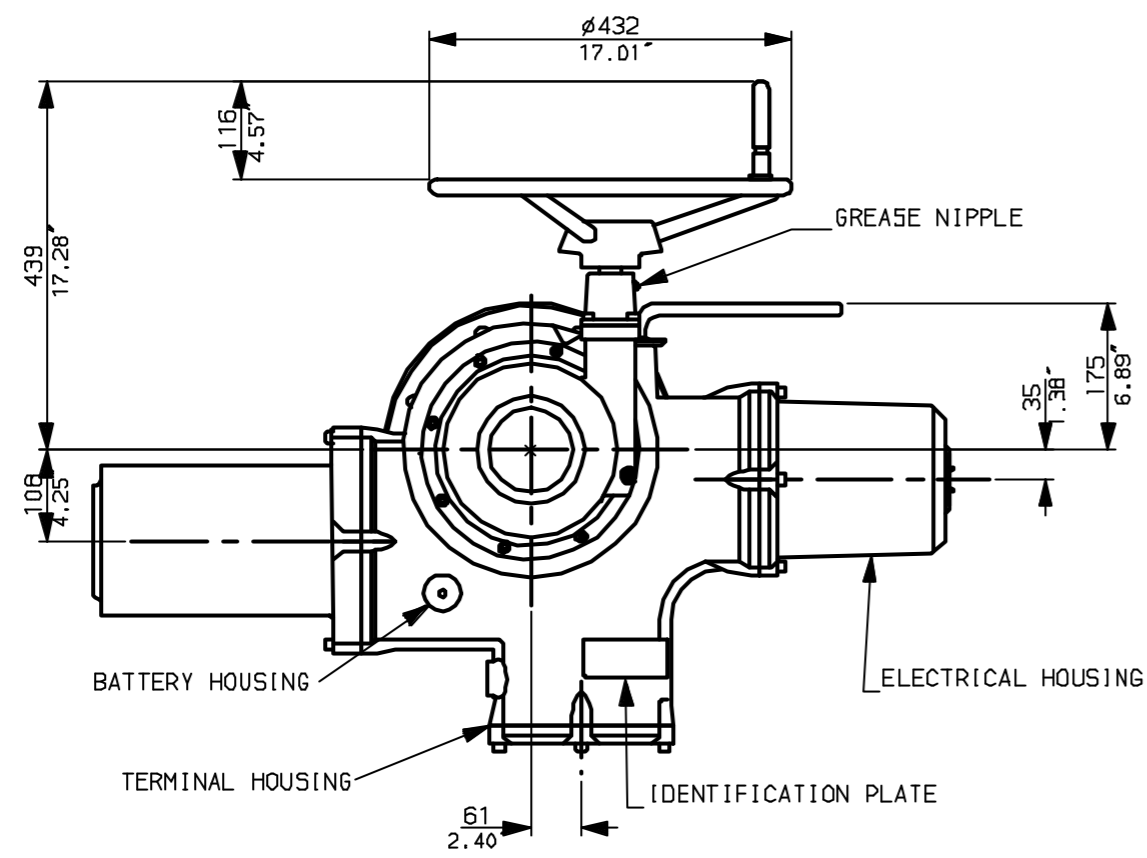
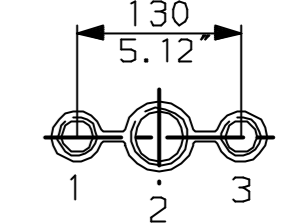


G  
F  
E  
D  
C  
B  
A

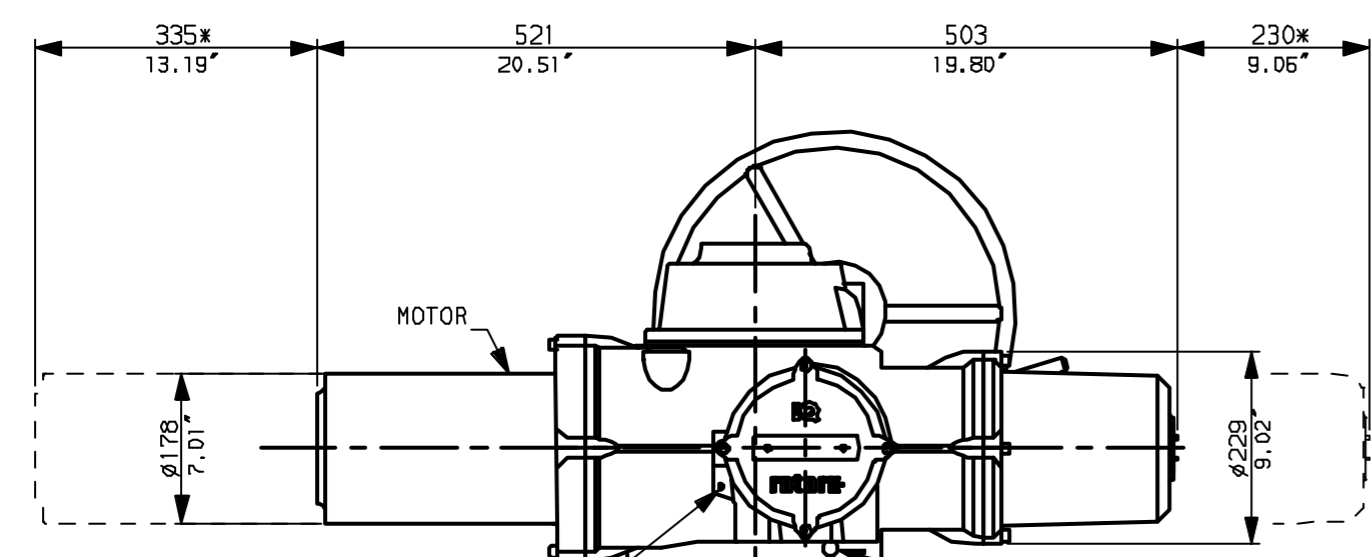


**NOTES:**  
 : DIMENSIONS WITH '\*' INDICATE COVER REMOVAL ALLOWANCE  
 : NETT WEIGHT = 795kg (1749lbs)  
 :  $\odot$  = OIL FILLER/DRAIN PLUG  
 : THE INTERFACE PROVIDED FOR MOUNTING THE ACTUATOR OR SECOND STAGE GEARBOX ONTO THE VALVE SHOULD CONFORM TO GOOD ENGINEERING PRACTICES, ENSURING ADEQUATELY TOLERANCED LIMITS FOR PARALLELISM, PERPENDICULARITY AND CONCENTRICITY.

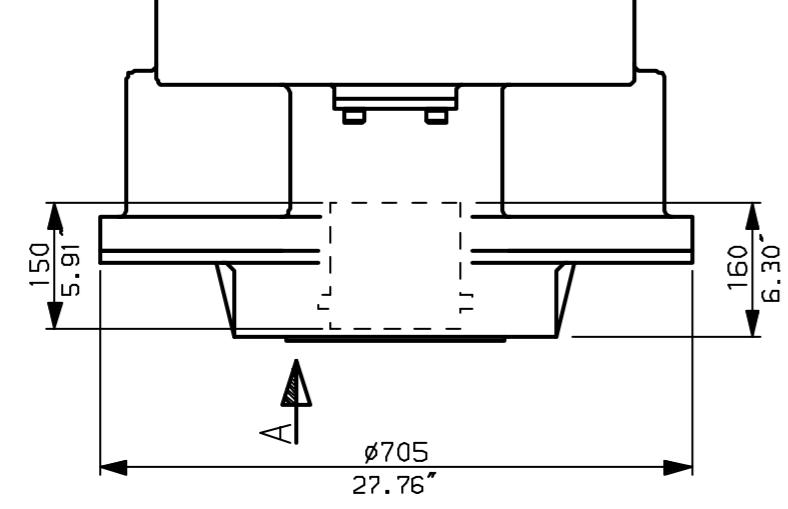
**CONDUIT ENTRIES (N.T.S)**



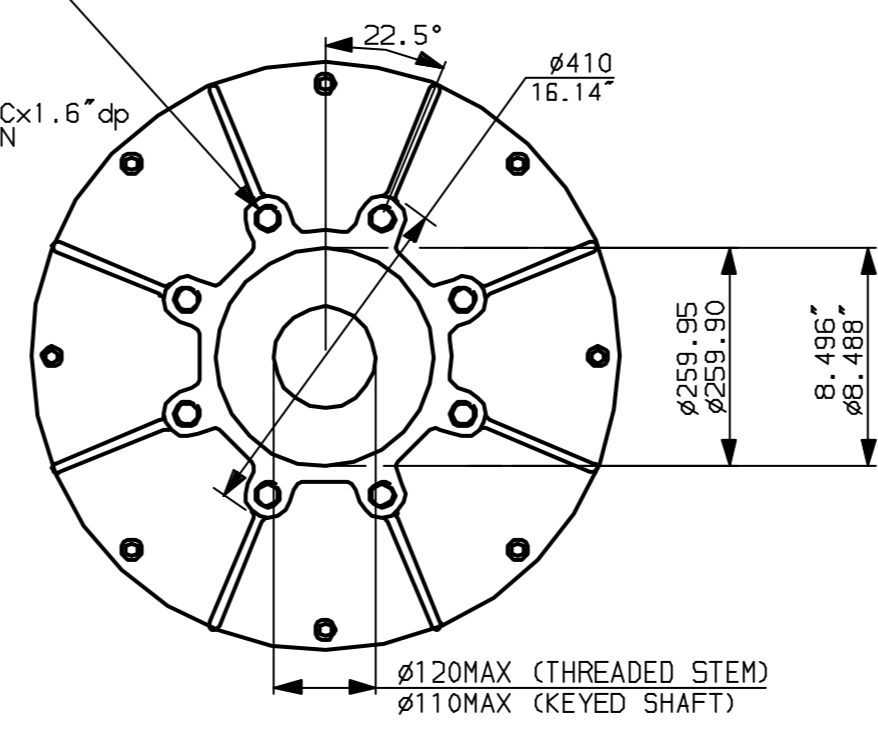
Nos.1 & 3 TAPPED 1" NPT  
 No.2 TAPPED 1 1/2" NPT  
 STD ALTERNATIVES IF SPECIFIED  
 2 X M25, 1 X M40  
 2 X PG16, 1 X PG29



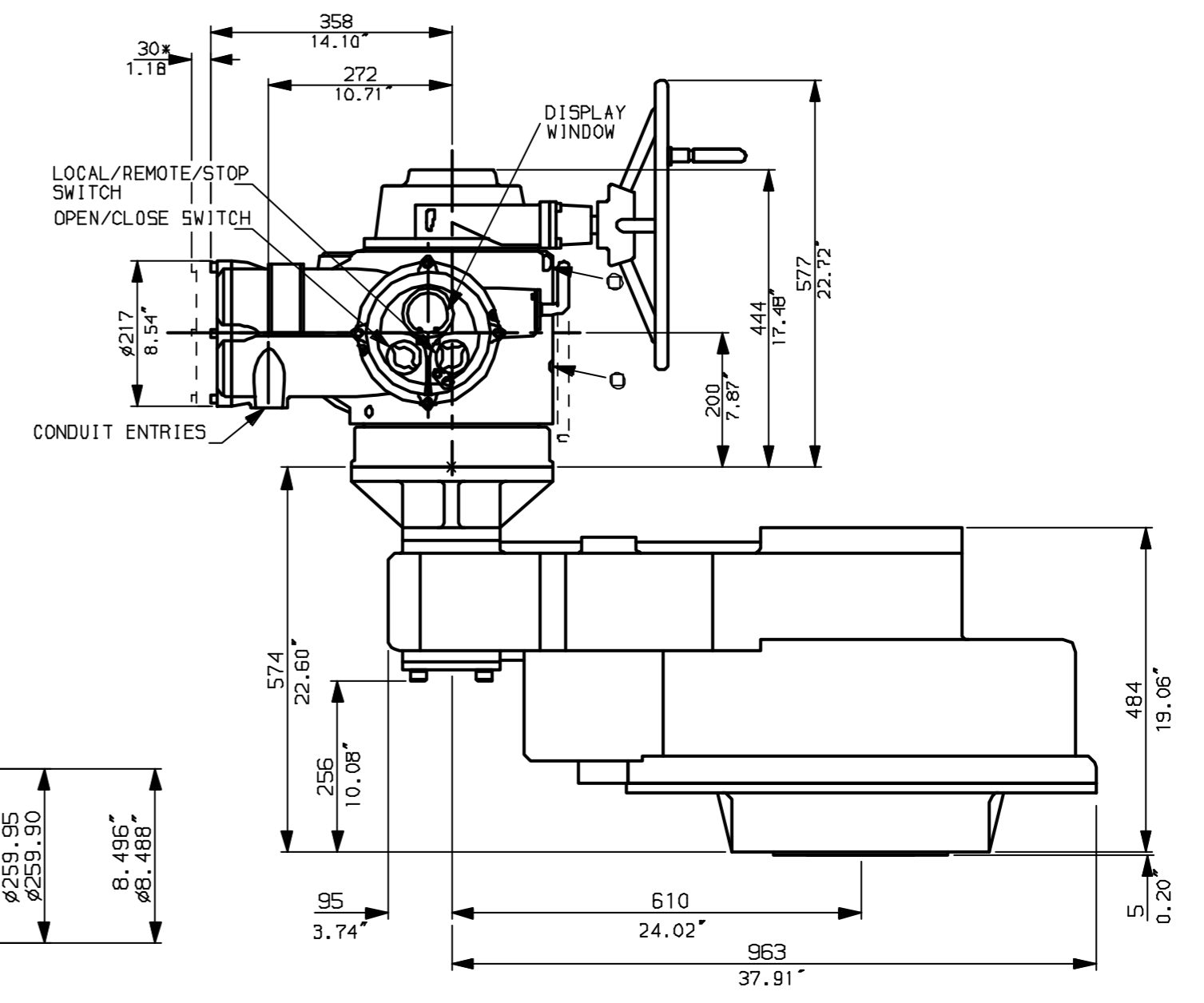
"F" version  
 8 HOLES TAPPED M30x40 DP  
 EQUI-SPACED AS SHOWN  
 ON A 356 PCD.  
 (ISO 5210-F35)



"FA" version  
 8 HOLES TAPPED 1"UNCx1.6"dp  
 EQUI-SPACED AS SHOWN  
 ON A 14" PCD.  
 (MSS SP102-FA35)



VIEW ON ARROW 'A'



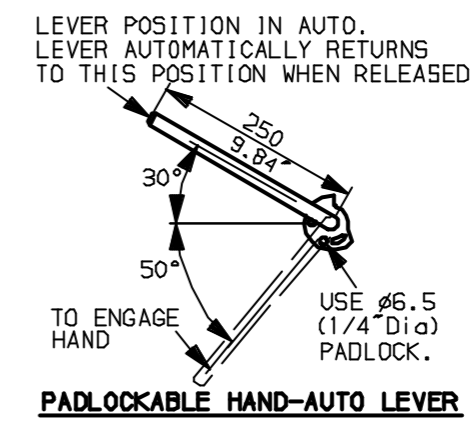
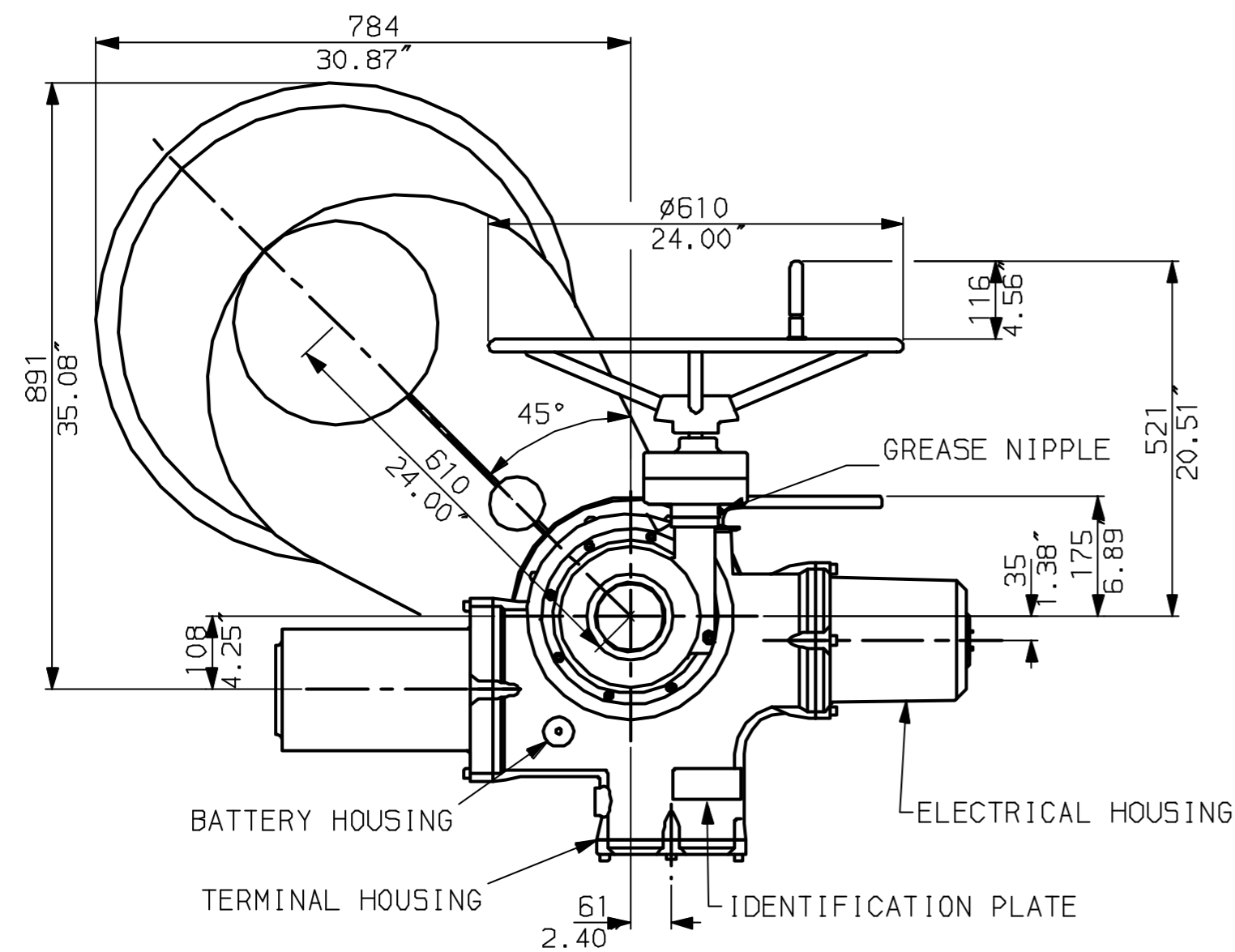
Rotork Controls Ltd.  
 Bath England, BA1 3JQ.  
 (Phone 01225-733200)  
 Rotork Controls Inc.  
 Rochester, NY 14624  
 (Phone 585-328-1550)

Title IQ70, 90, SHW, IS17,		
STANDARD DIMENSIONAL DATA		
Drawn Cad	Checked PRE	Ref Data Sheet
Date April 04	Job No	<b>IQ55HW_IS17</b>

01	First Issue.
Scale	1:9 THIRD ANGLE PROJECTION
Drawing Number	<b>IQ55HW_IS17</b>

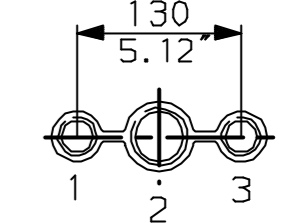
1 | 2 | 3 | 4 | 5 | 6 | 7 | 8 | 9 | 10

G  
F  
E  
D  
C  
B  
A

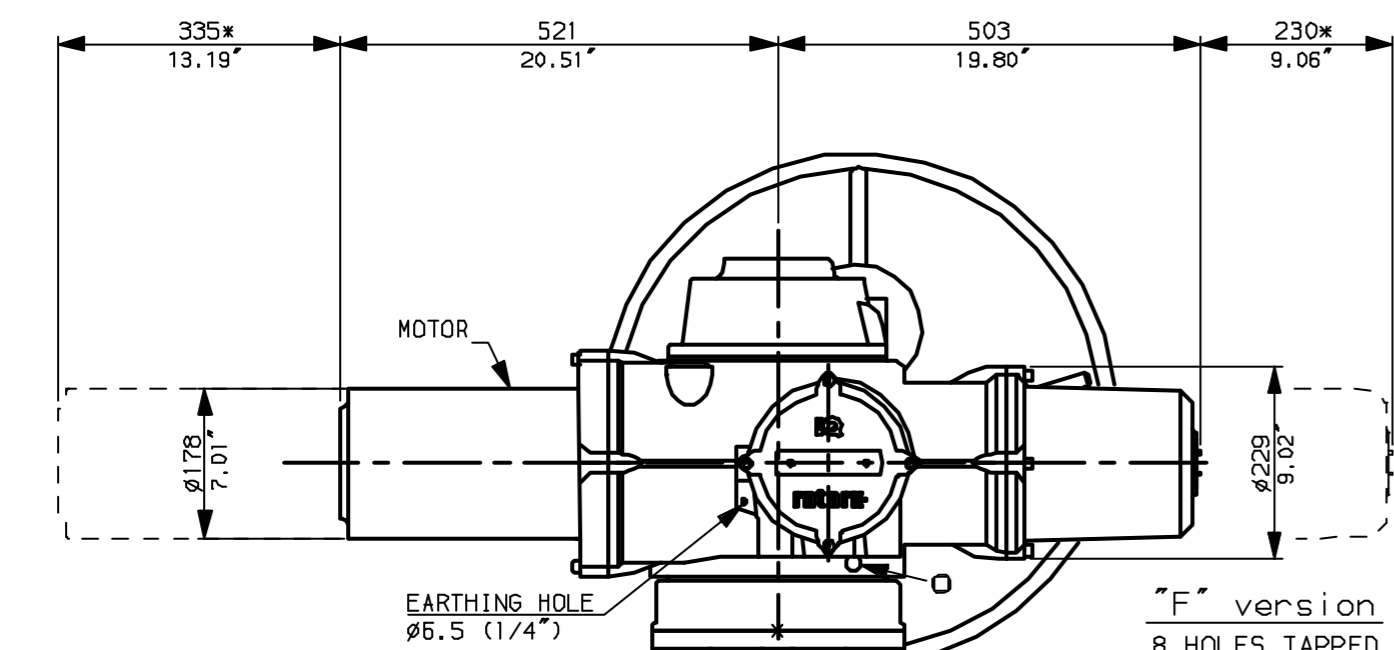


NOTES:  
 \* DIMENSIONS WITH '\*' INDICATE COVER REMOVAL ALLOWANCE  
 : NETT WEIGHT = 795kg (1749lbs)  
 : = OIL FILLER/DRAIN PLUG  
 : THE INTERFACE PROVIDED FOR MOUNTING THE ACTUATOR OR SECOND STAGE GEARBOX ONTO THE VALVE SHOULD CONFORM TO GOOD ENGINEERING PRACTICES, ENSURING ADEQUATELY TOLERANCED LIMITS FOR PARALLELISM, PERPENDICULARITY AND CONCENTRICITY.

**CONDUIT ENTRIES (N.T.S)**

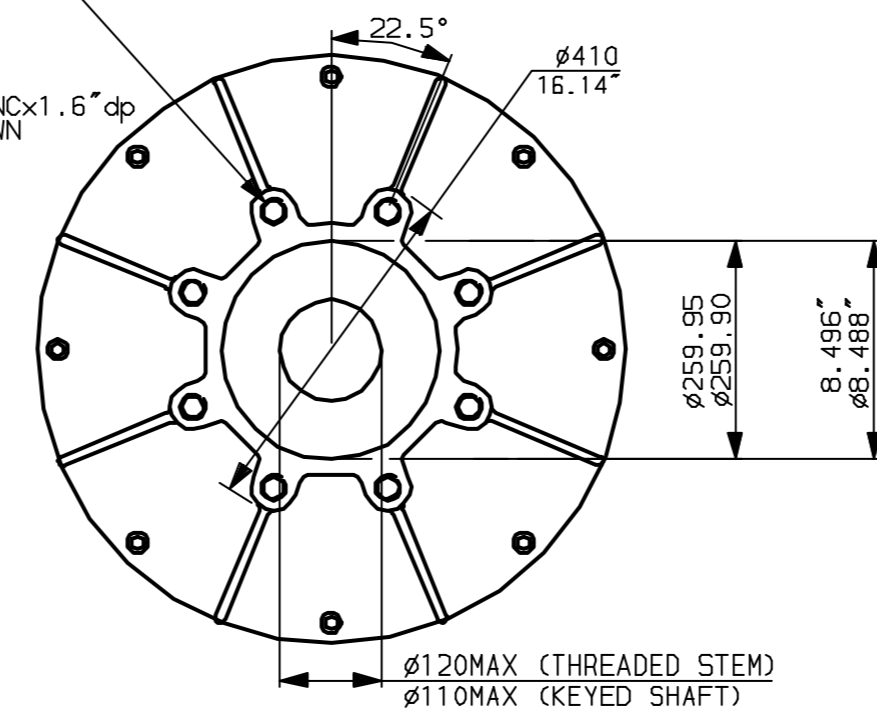
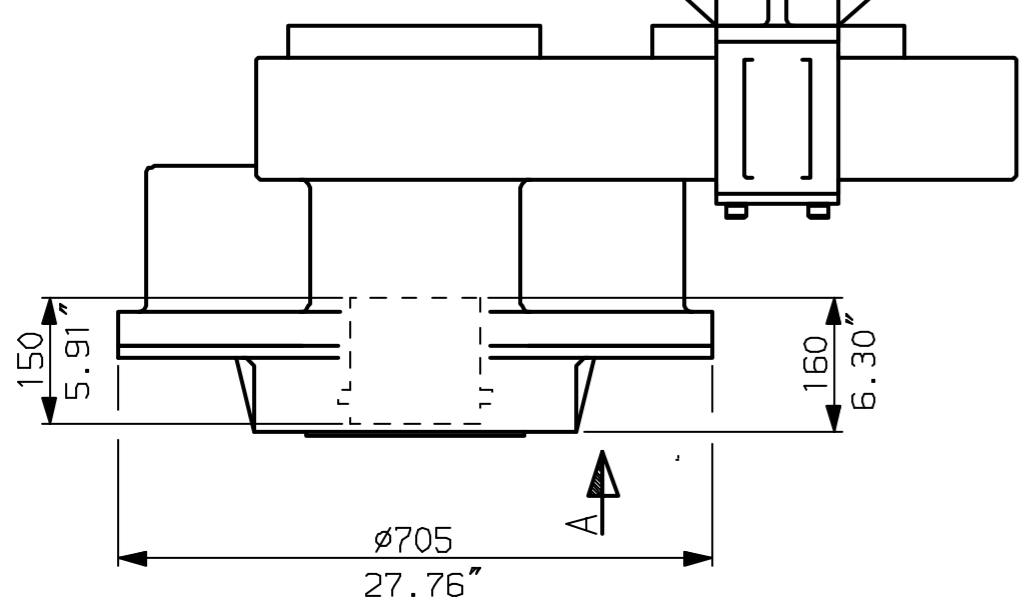


Nos.1 & 3 TAPPED 1" NPT  
 No.2 TAPPED 1 1/2" NPT  
 STD ALTERNATIVES IF SPECIFIED  
 2 X M25, 1 X M40  
 2 X PG16, 1 X PG29

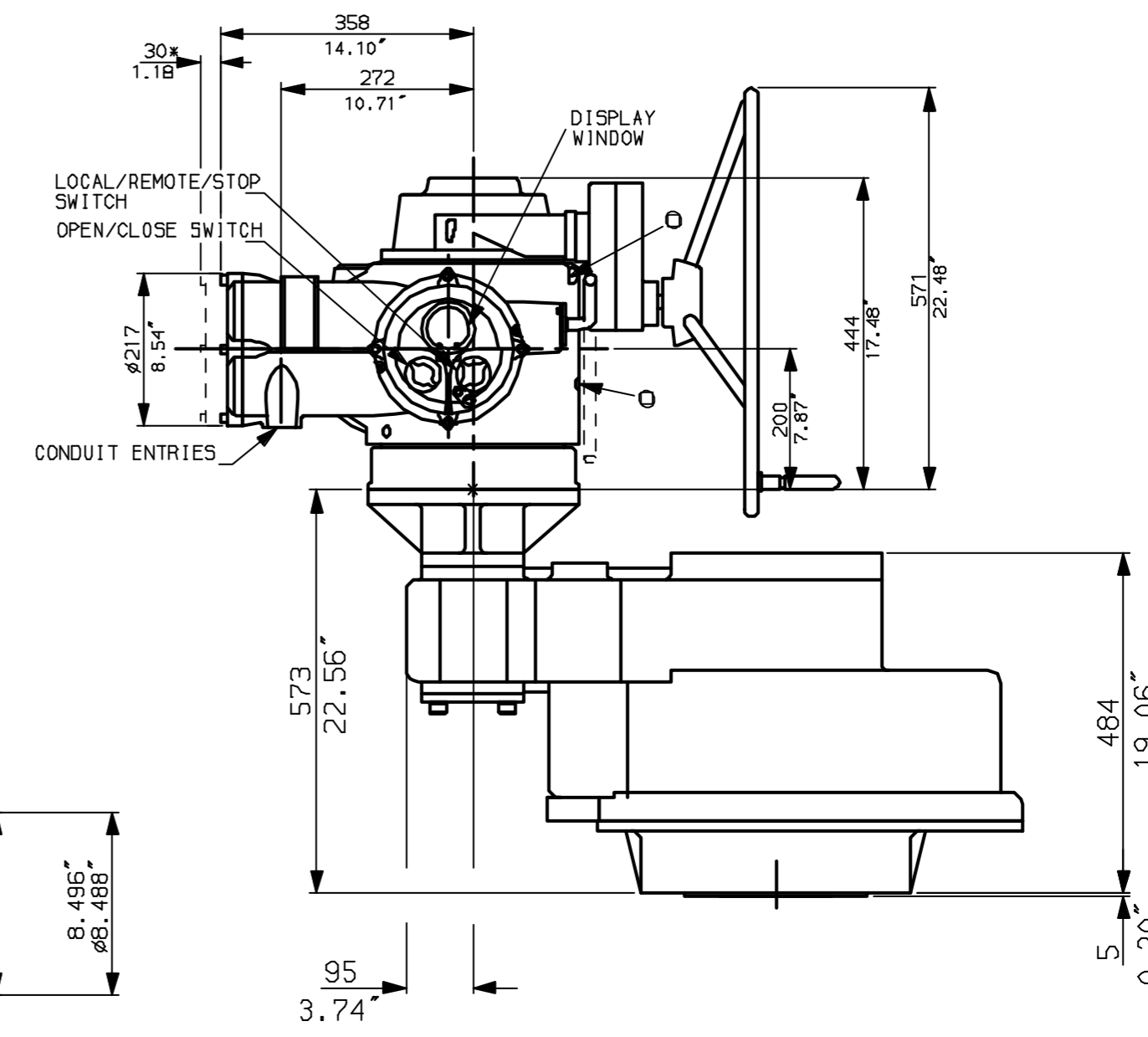


"F" version  
 8 HOLES TAPPED M30x40 DP  
 EQUI-SPACED AS SHOWN  
 ON A 356 PCD.  
 (150 5210-F35)

"FA" version  
 8 HOLES TAPPED 1"UNCx1.6"dp  
 EQUI-SPACED AS SHOWN  
 ON A 14" PCD.  
 (M55 SP102-FA35)



VIEW ON ARROW 'A'



Rotork Controls Ltd.  
 Bath England, BA1 3JQ.  
 (Phone 01225-733200)  
 Rotork Controls Inc.  
 Rochester, NY 14624  
 (Phone 585-328-1550)

Title IQ70, 90, SSSH, IS17,		
STANDARD DIMENSIONAL DATA		
Drawn Cad	Checked PRE	Ref Data Sheet
Date April 04	Job No	IQ55SSHW_IS17

01	First Issue.
Scale	1:9 THIRD ANGLE PROJECTION
Drawing Number	IQ55SSHW_IS17

1 | 2 | 3 | 4 | 5 | 6 | 7 | 8 | 9 | 10