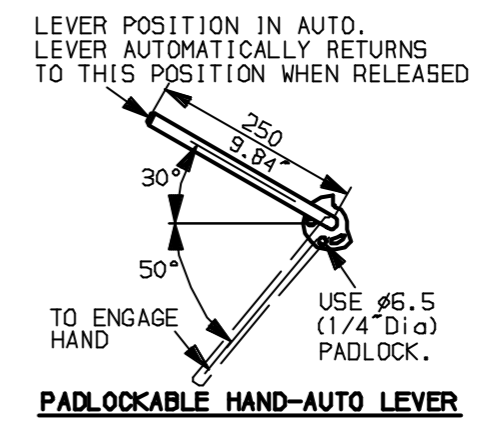
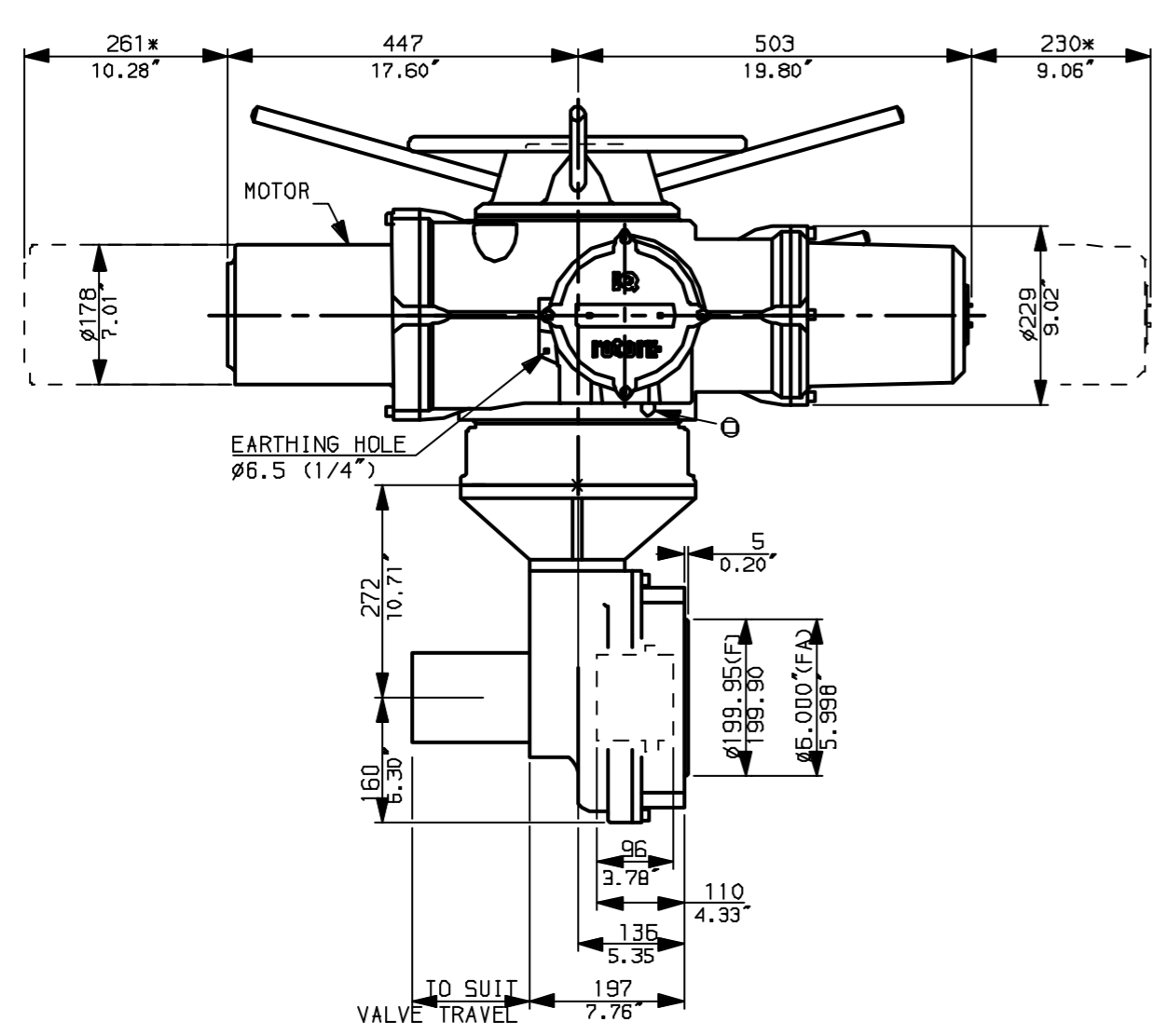
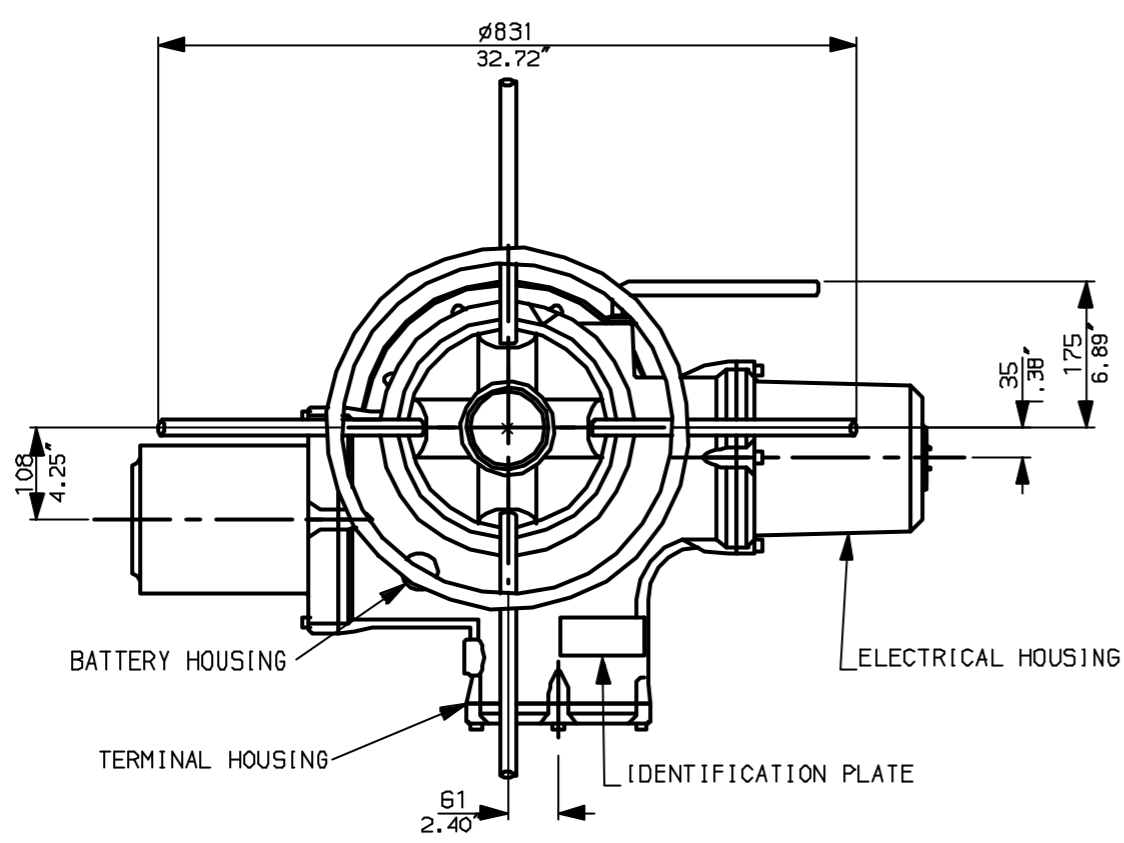
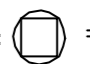
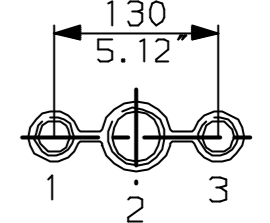


G
F
E
D
C
B
A

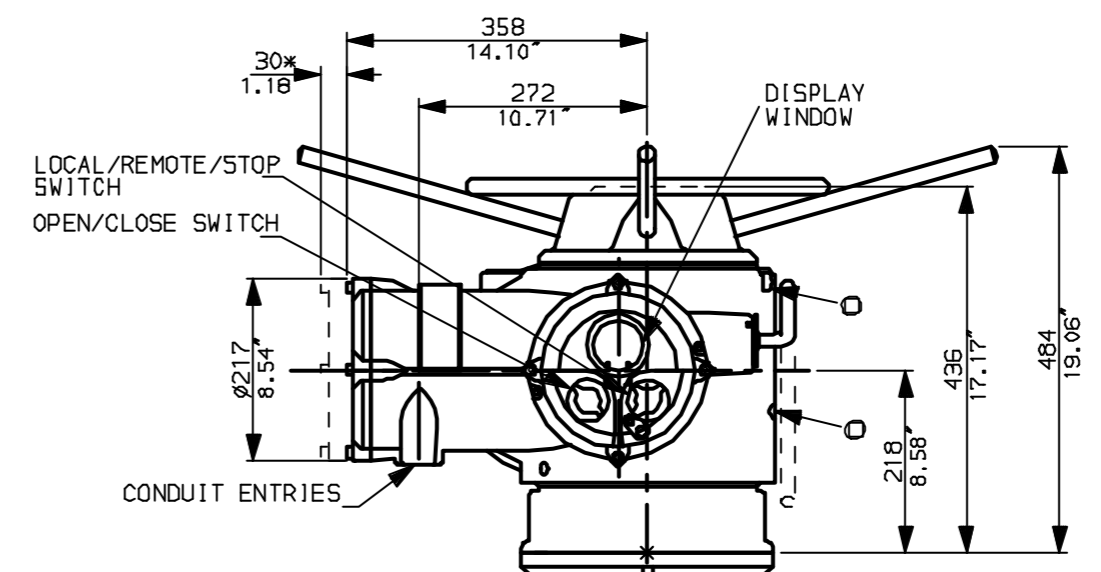


NOTES:
 * DIMENSIONS WITH '*' INDICATE COVER REMOVAL ALLOWANCE
 : NETT WEIGHT = 270kg (594lbs)
 :  = OIL FILLER/DRAIN PLUG
 : THE INTERFACE PROVIDED FOR MOUNTING THE ACTUATOR OR SECOND STAGE GEARBOX ONTO THE VALVE SHOULD CONFORM TO GOOD ENGINEERING PRACTICES, ENSURING ADEQUATELY TOLERANCED LIMITS FOR PARALLELISM, PERPENDICULARITY AND CONCENTRICITY.

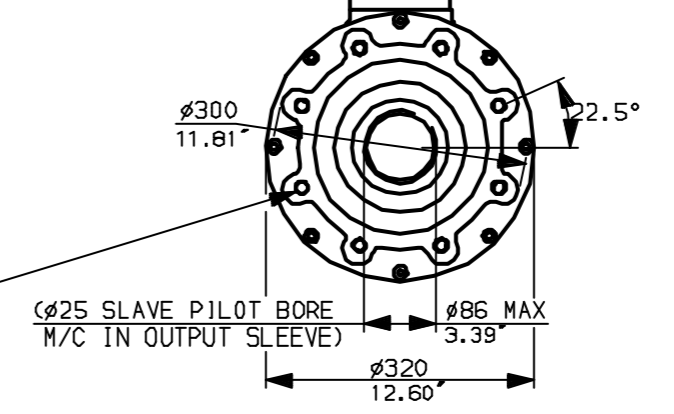
CONDUIT ENTRIES (N.T.S)



Nos.1 & 3 TAPPED 1" NPT
 No.2 TAPPED 1 1/2" NPT
 STD ALTERNATIVES IF SPECIFIED
 2 X M25, 1 X M40
 2 X PG16, 1 X PG29



"F" version
 8 HOLES TAPPED M16x20 DP EQUI-SPACED ON A 254 PCD (ISO5210 F25)
 "FA" version
 8 HOLES TAPPED 5/8" UNC x0.8" dp EQUI-SPACED ON 10" PCD (MSS SP102-FA25).



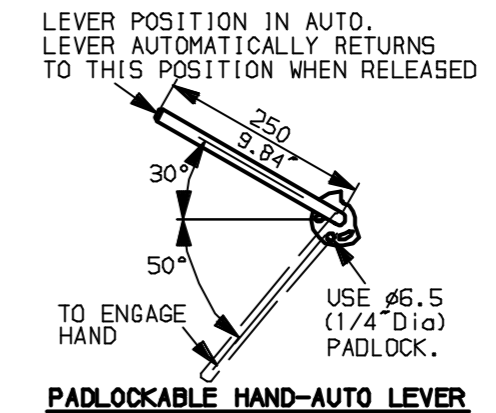
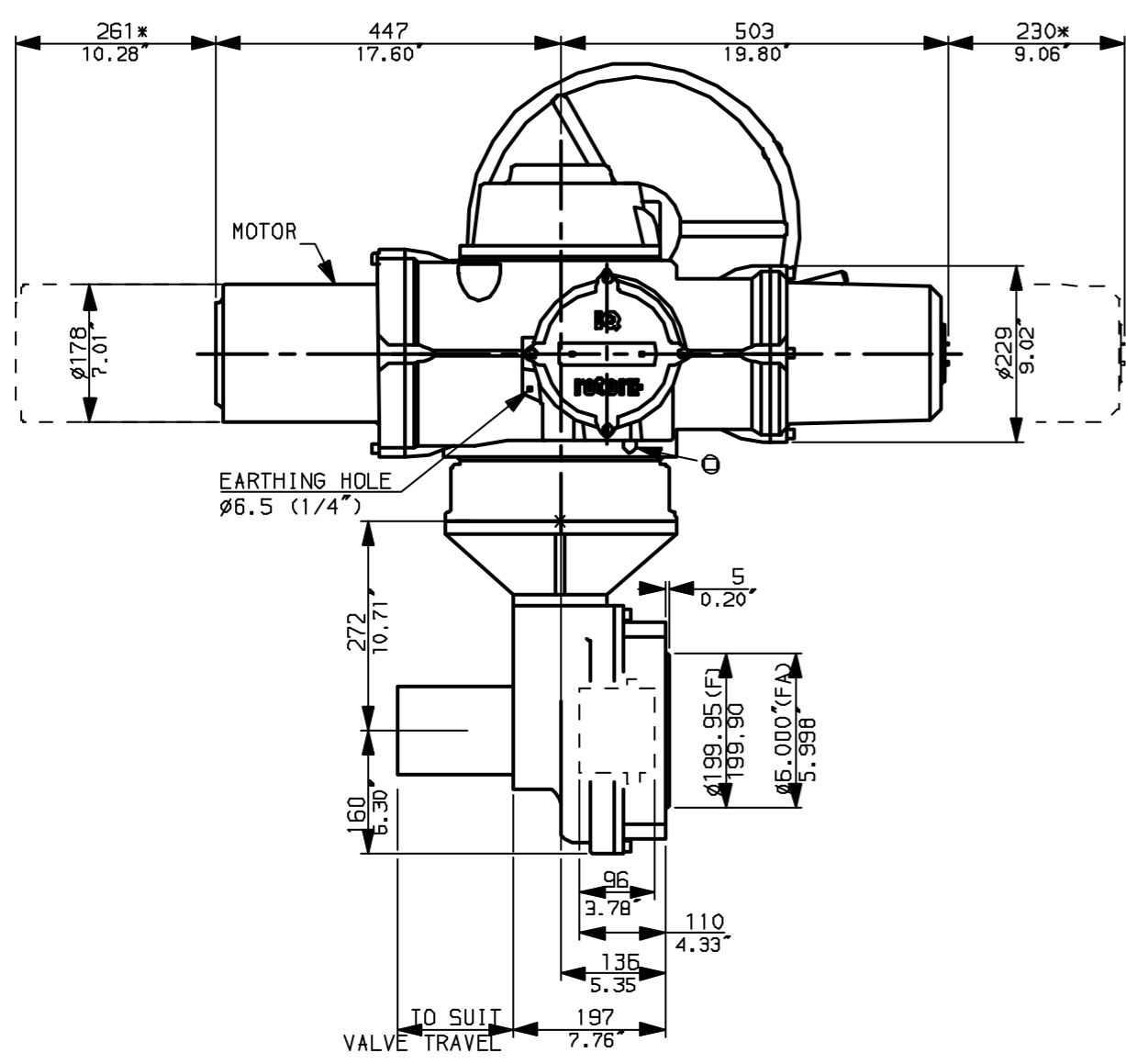
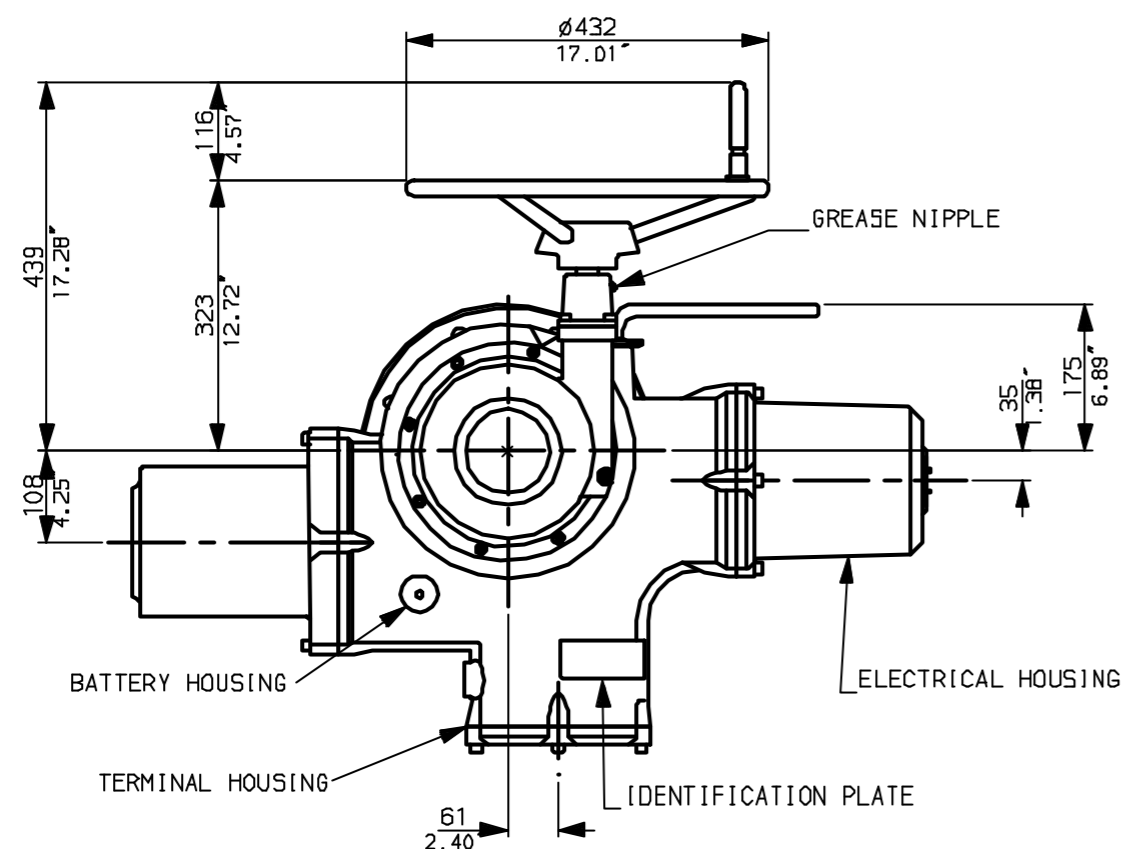
Rotork Controls Ltd.
 Bath England, BA1 3JQ.
 (Phone 01225-733200)
 Rotork Controls Inc.
 Rochester, NY 14624
 (Phone 585-328-1550)

Title IQ40, THW, IB9,		
STANDARD DIMENSIONAL DATA		
Drawn CAD	Checked PRE	Ref Data Sheet
Date April 04	Job No IQ40THW_IB9	

01	First Issue.
Scale	1:9 THIRD ANGLE PROJECTION
Drawing Number	IQ40THW_IB9

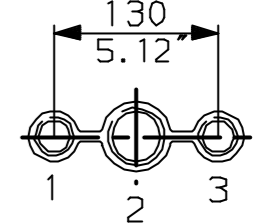
1 | 2 | 3 | 4 | 5 | 6 | 7 | 8 | 9 | 10

G
F
E
D
C
B
A

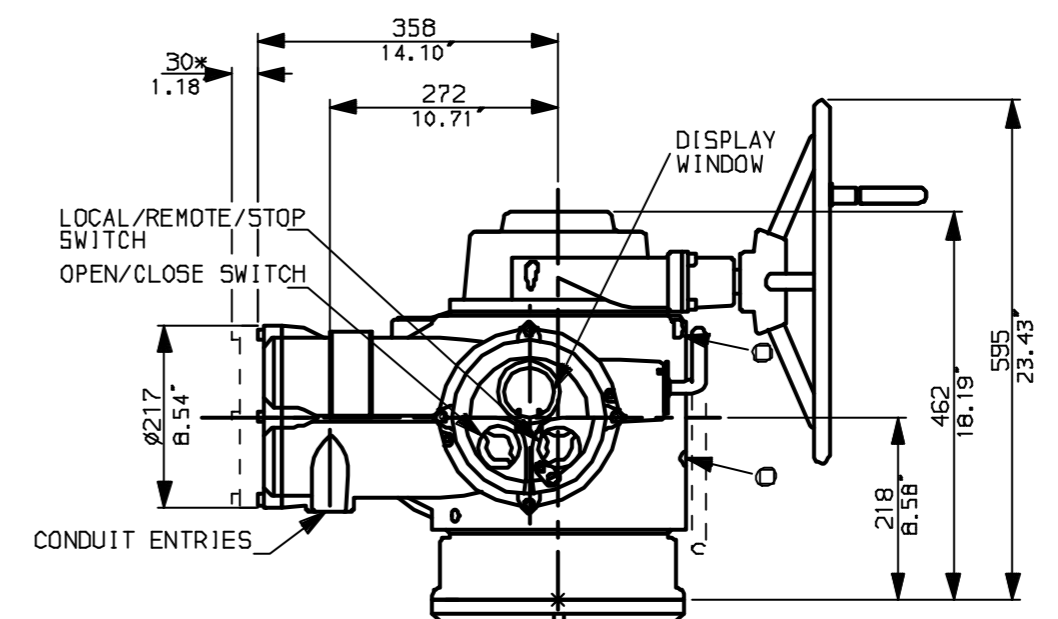


NOTES:
 DIMENSIONS WITH '*' INDICATE COVER REMOVAL ALLOWANCE
 NETT WEIGHT = 270kg (594lbs)
 ϕ = OIL FILLER/DRAIN PLUG
 THE INTERFACE PROVIDED FOR MOUNTING THE ACTUATOR OR SECOND STAGE GEARBOX ONTO THE VALVE SHOULD CONFORM TO GOOD ENGINEERING PRACTICES, ENSURING ADEQUATELY TOLERANCED LIMITS FOR PARALLELISM, PERPENDICULARITY AND CONCENTRICITY.

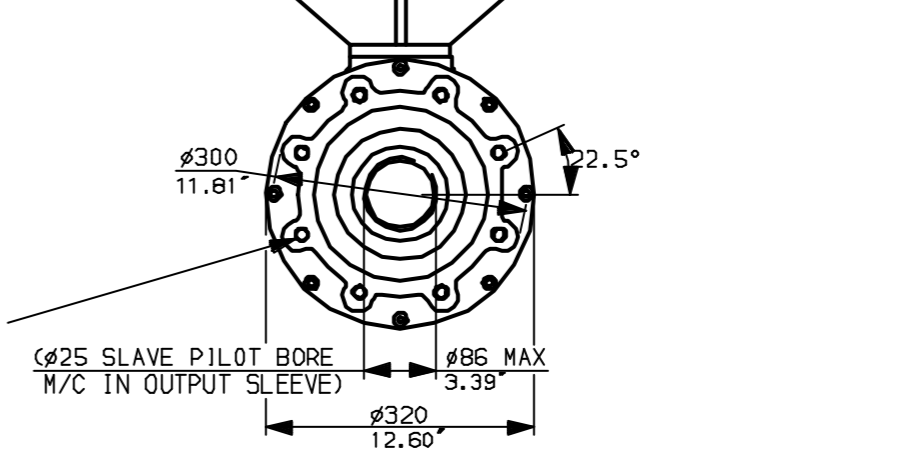
CONDUIT ENTRIES (N.T.S)



Nos.1 & 3 TAPPED 1" NPT
 No.2 TAPPED 1 1/2" NPT
 STD ALTERNATIVES IF SPECIFIED
 2 X M25, 1 X M40
 2 X PG16, 1 X PG29



"F" version
 8 HOLES TAPPED M16x20 DP EQUI-SPACED ON A 254 PCD (ISO5210 F25)
"FA" version
 8 HOLES TAPPED 5/8" UNC x 0.8" dp EQUI-SPACED ON 10" PCD (MSS SP102-FA25).



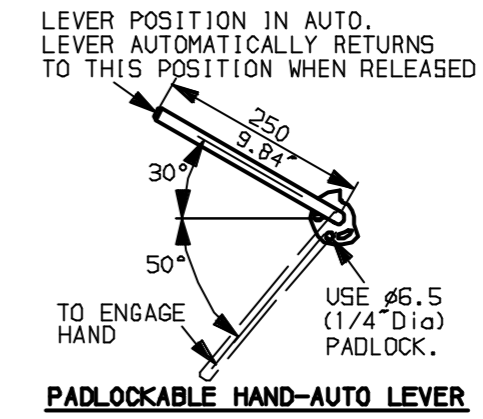
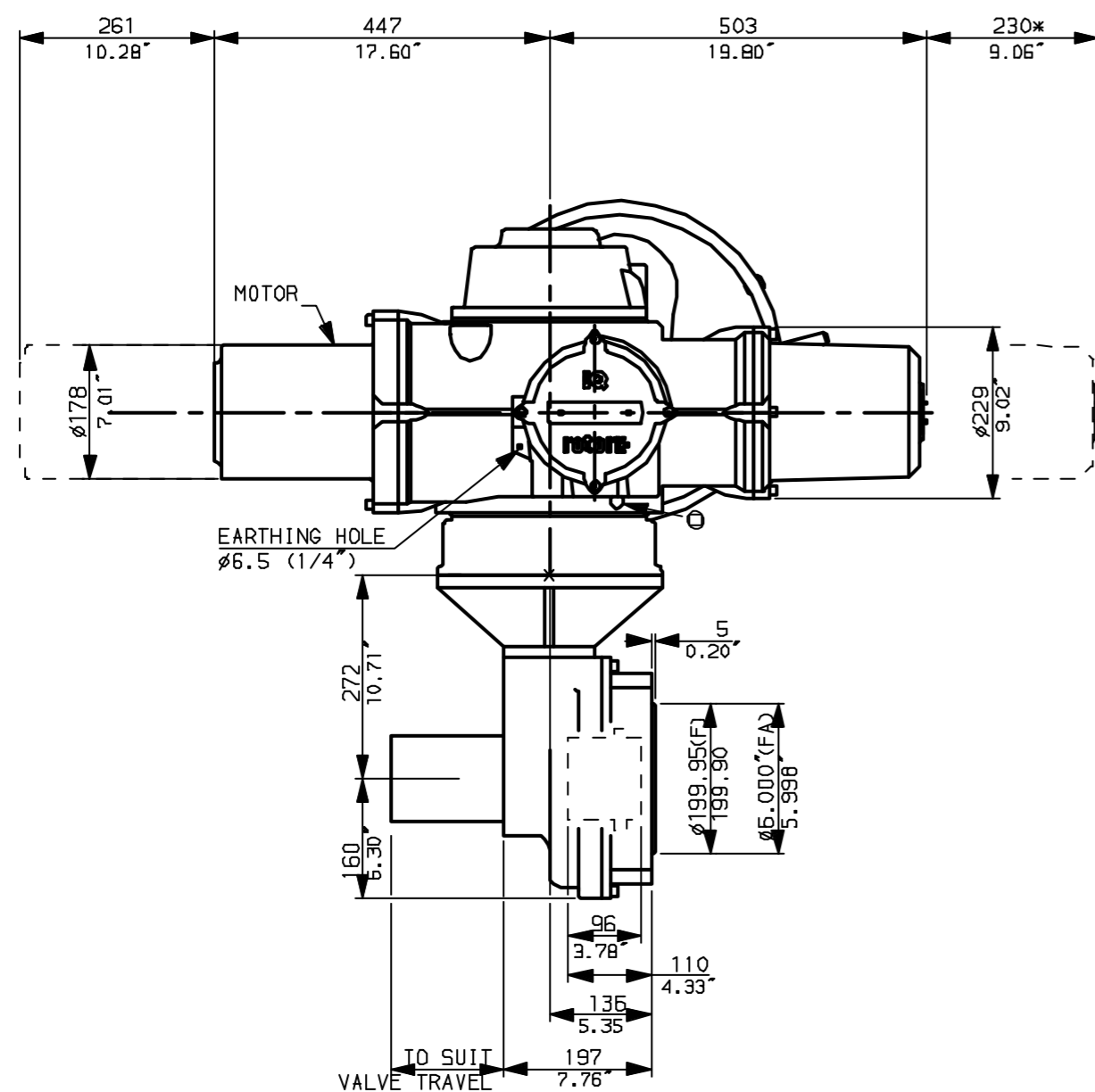
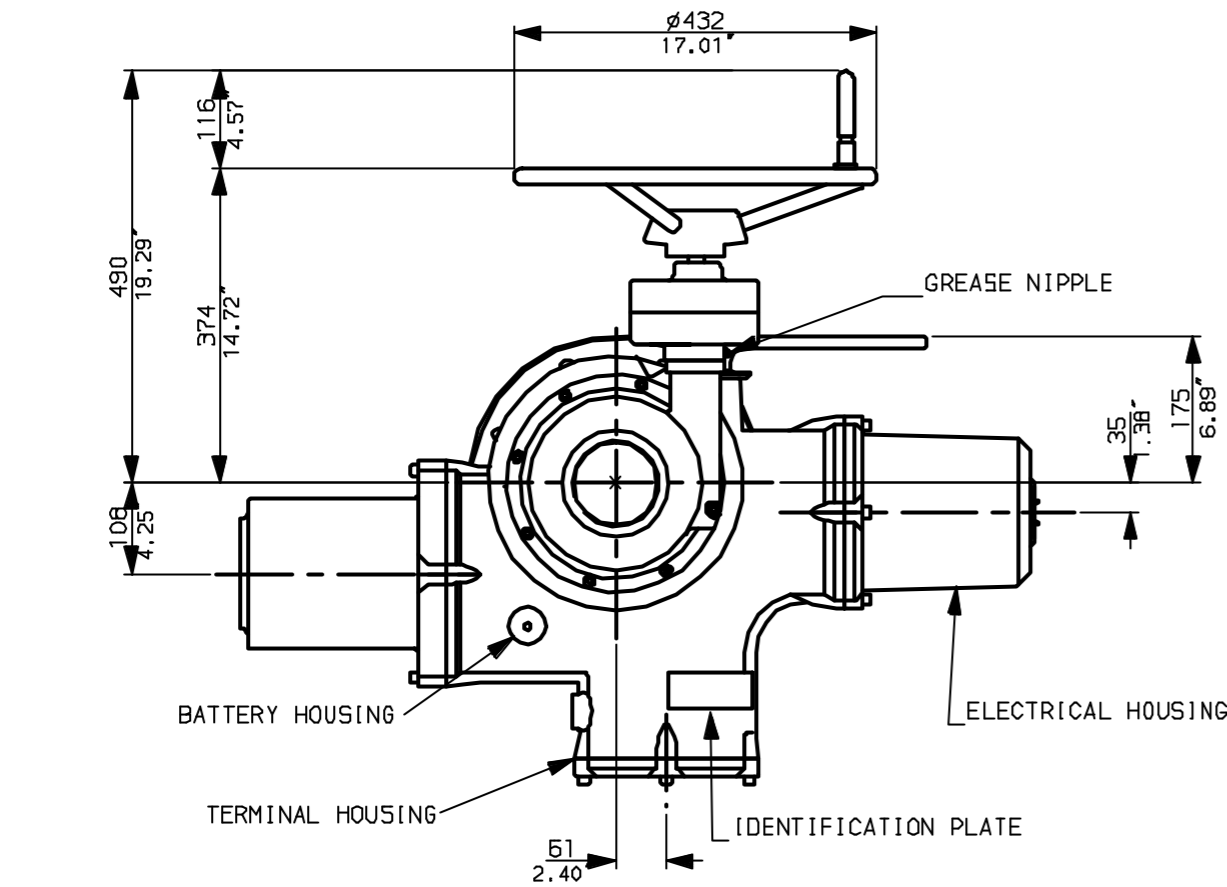
Rotork Controls Ltd.
 Bath England, BA1 3JQ.
 (Phone 01225-733200)
 Rotork Controls Inc.
 Rochester, NY 14624
 (Phone 585-328-1550)

Title IQ40, SHW, IB9,		
STANDARD DIMENSIONAL DATA		
Drawn CAD	Checked PRE	Ref Data Sheet
Date April 04	Job No IQ40SHW_IB9	

01	First Issue.
Scale 1:9	THIRD ANGLE PROJECTION
Drawing Number	IQ40SHW_IB9

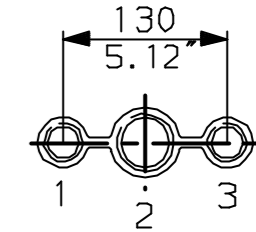
1 | 2 | 3 | 4 | 5 | 6 | 7 | 8 | 9 | 10

G
F
E
D
C
B
A

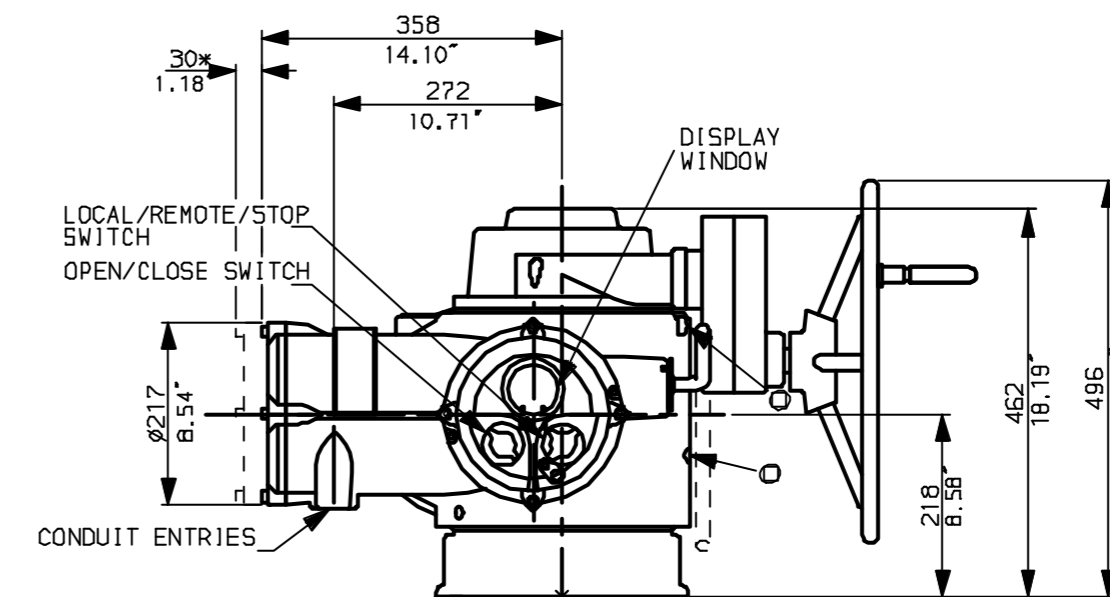


NOTES:
 : DIMENSIONS WITH '*' INDICATE COVER REMOVAL ALLOWANCE
 : NETT WEIGHT = 270kg (594lbs)
 : \odot = OIL FILLER/DRAIN PLUG
 : THE INTERFACE PROVIDED FOR MOUNTING THE ACTUATOR OR SECOND STAGE GEARBOX ONTO THE VALVE SHOULD CONFORM TO GOOD ENGINEERING PRACTICES, ENSURING ADEQUATELY TOLERANCED LIMITS FOR PARALLELISM, PERPENDICULARITY AND CONCENTRICITY.

CONDUIT ENTRIES (N.T.S)



Nos.1 & 3 TAPPED 1" NPT
 No.2 TAPPED 1 1/2" NPT
 STD ALTERNATIVES IF SPECIFIED
 2 X M25, 1 X M40
 2 X PG16, 1 X PG29

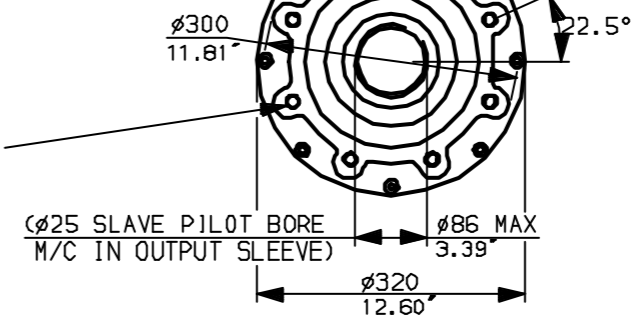


"F" version

8 HOLES TAPPED M16x20 DP
 EQUI-SPACED ON A 254 PCD
 (ISO5210 F25)

"FA" version

8 HOLES TAPPED 5/8" UNC
 x 0.8" dp EQUI-SPACED ON
 10" PCD (MSS SP102-FA25).



rotork
 www.rotork.com

Rotork Controls Ltd.
 Bath England, BA1 3JQ.
 (Phone 01225-733200)
 Rotork Controls Inc.
 Rochester, NY 14624
 (Phone 585-328-1550)

Title IQ40, SSHW, IB9,		
STANDARD DIMENSIONAL DATA		
Drawn CAD	Checked PRE	Ref Data Sheet
Date April 04	Job No IQ40SSHW_IB9	

01	First Issue.
Scale	1:9 THIRD ANGLE PROJECTION
Drawing Number	IQ40SSHW_IB9

1 | 2 | 3 | 4 | 5 | 6 | 7 | 8 | 9 | 10