

G

F

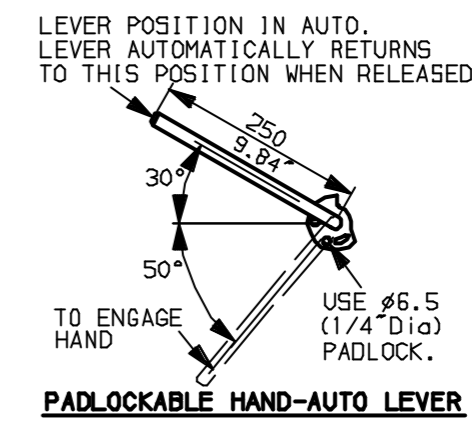
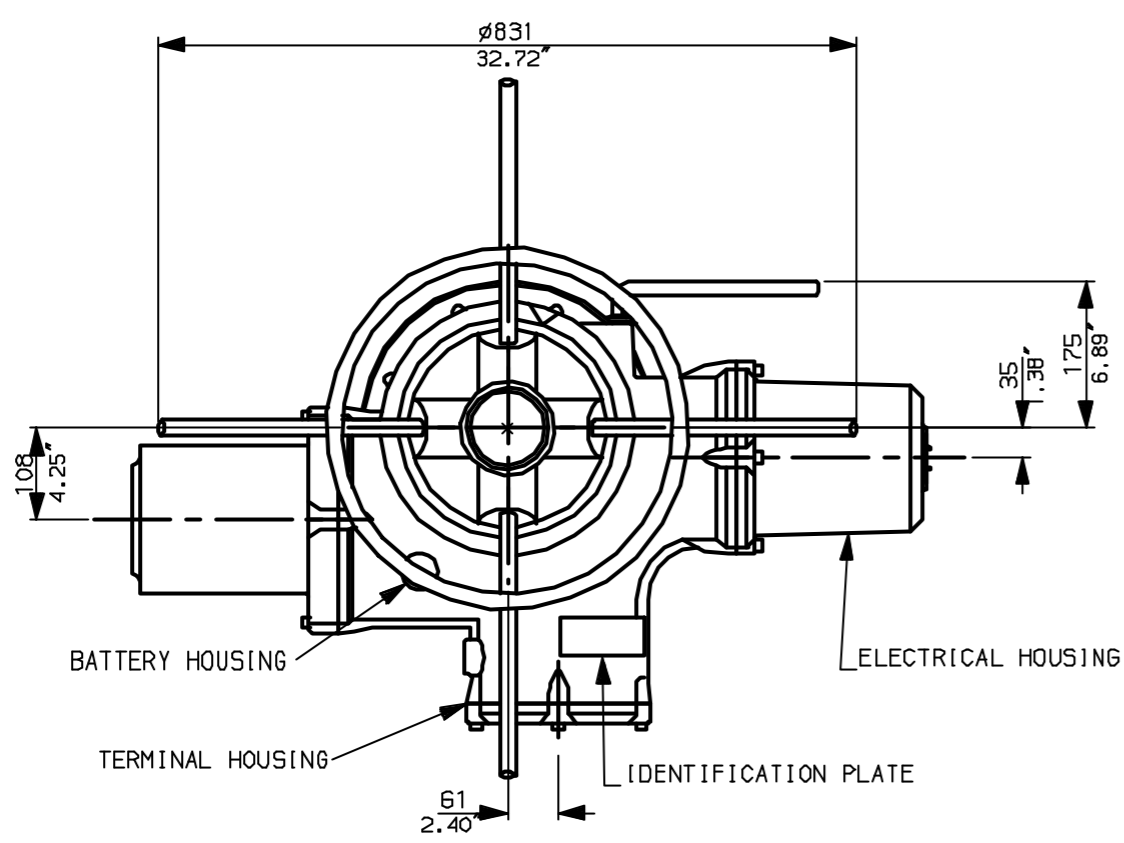
E

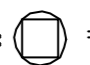
D

C

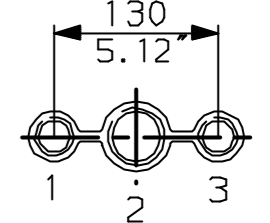
B

A

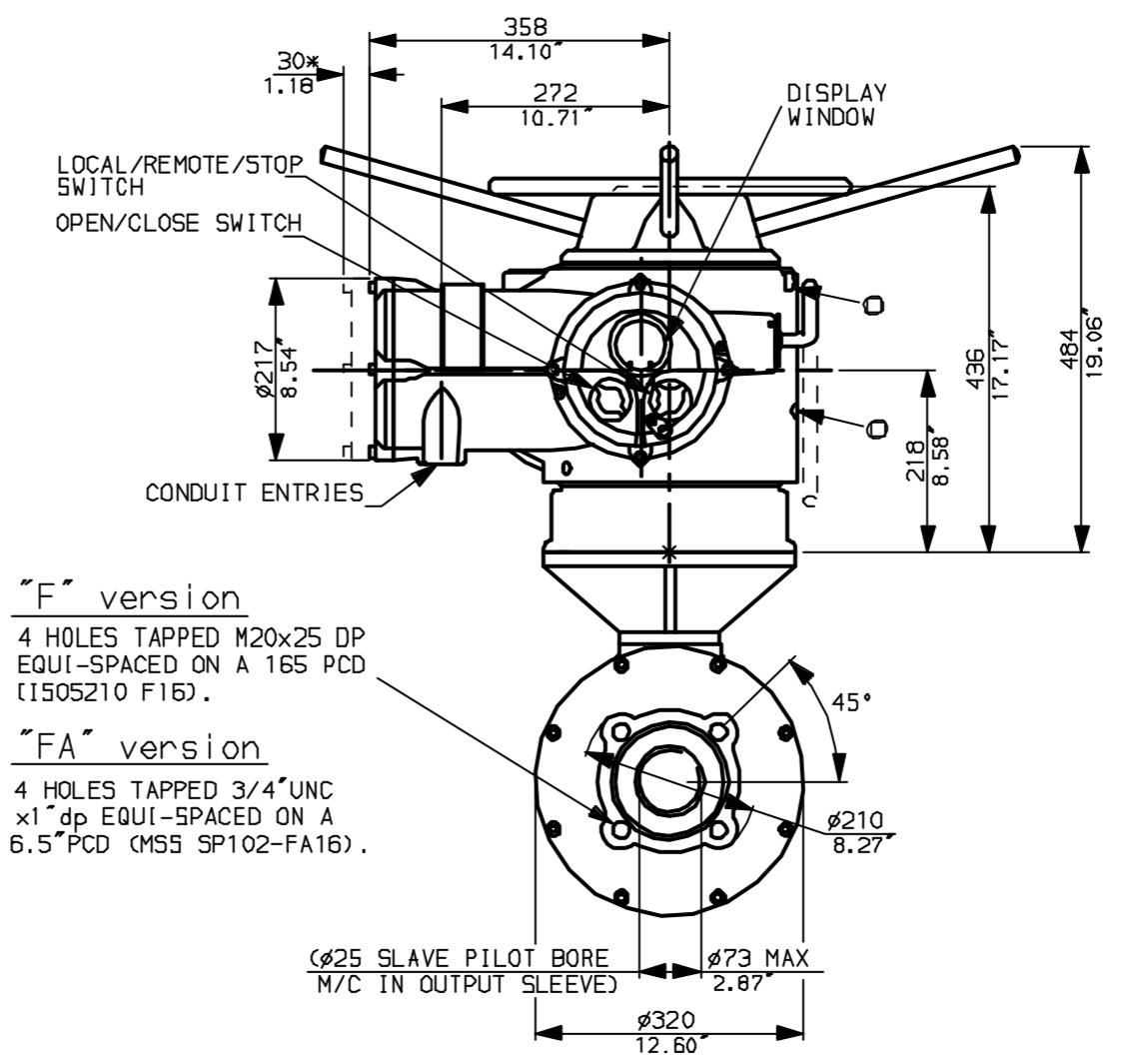
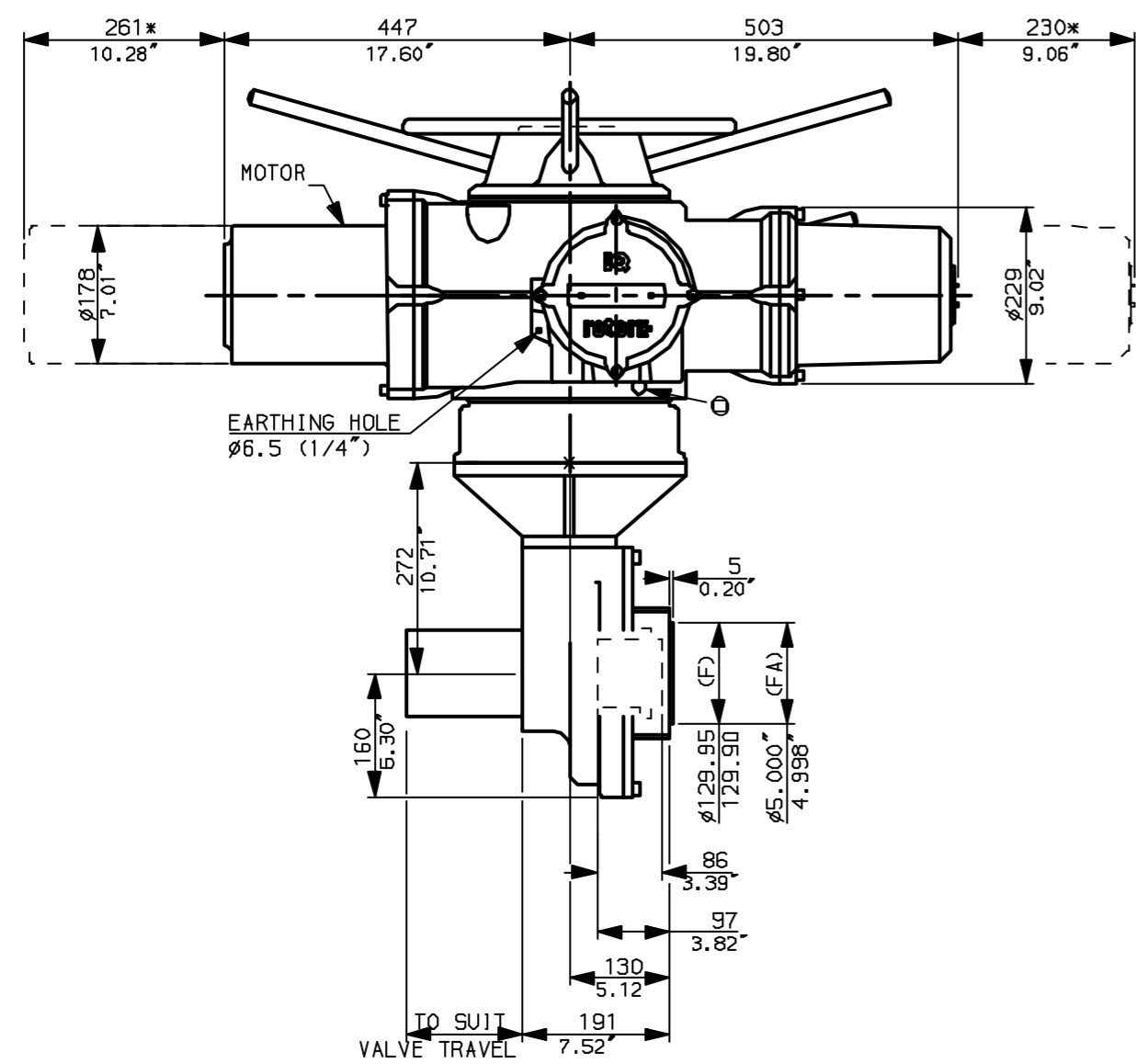


**NOTES:**  
 \* DIMENSIONS WITH '\*' INDICATE COVER REMOVAL ALLOWANCE  
 : NETT WEIGHT = 255kg (561 lbs)  
 :  = OIL FILLER/DRAIN PLUG  
 : THE INTERFACE PROVIDED FOR MOUNTING THE ACTUATOR OR SECOND STAGE GEARBOX ONTO THE VALVE SHOULD CONFORM TO GOOD ENGINEERING PRACTICES, ENSURING ADEQUATELY TOLERANCED LIMITS FOR PARALLELISM, PERPENDICULARITY AND CONCENTRICITY.

**CONDUIT ENTRIES (N.T.S)**



Nos.1 & 3 TAPPED 1" NPT  
 No.2 TAPPED 1 1/2" NPT  
 STD ALTERNATIVES IF SPECIFIED  
 2 X M25, 1 X M40  
 2 X PG16, 1 X PG29



"F" version  
 4 HOLES TAPPED M20x25 DP  
 EQUI-SPACED ON A 165 PCD  
 (1505210 F16).  
 "FA" version  
 4 HOLES TAPPED 3/4" UNC  
 x1" dp EQUI-SPACED ON A  
 6.5" PCD (M55 SP102-FA16).

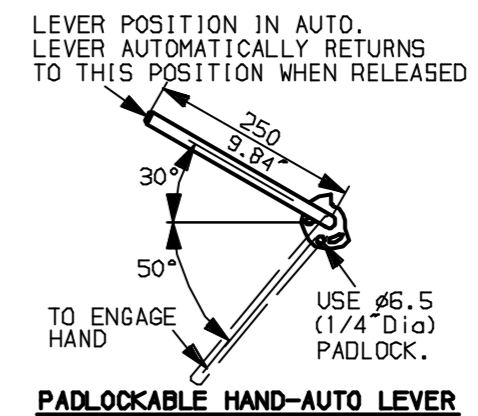
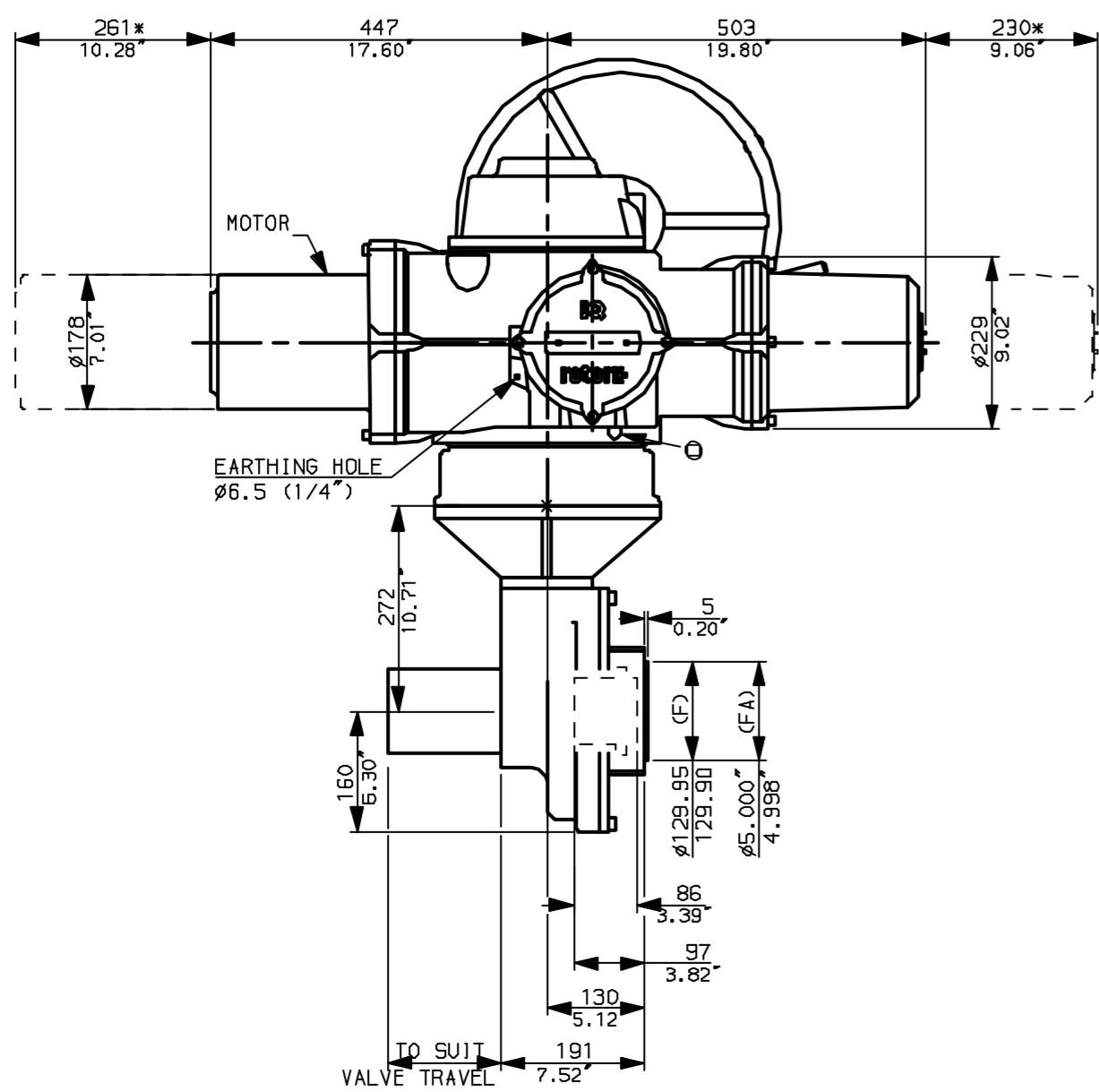
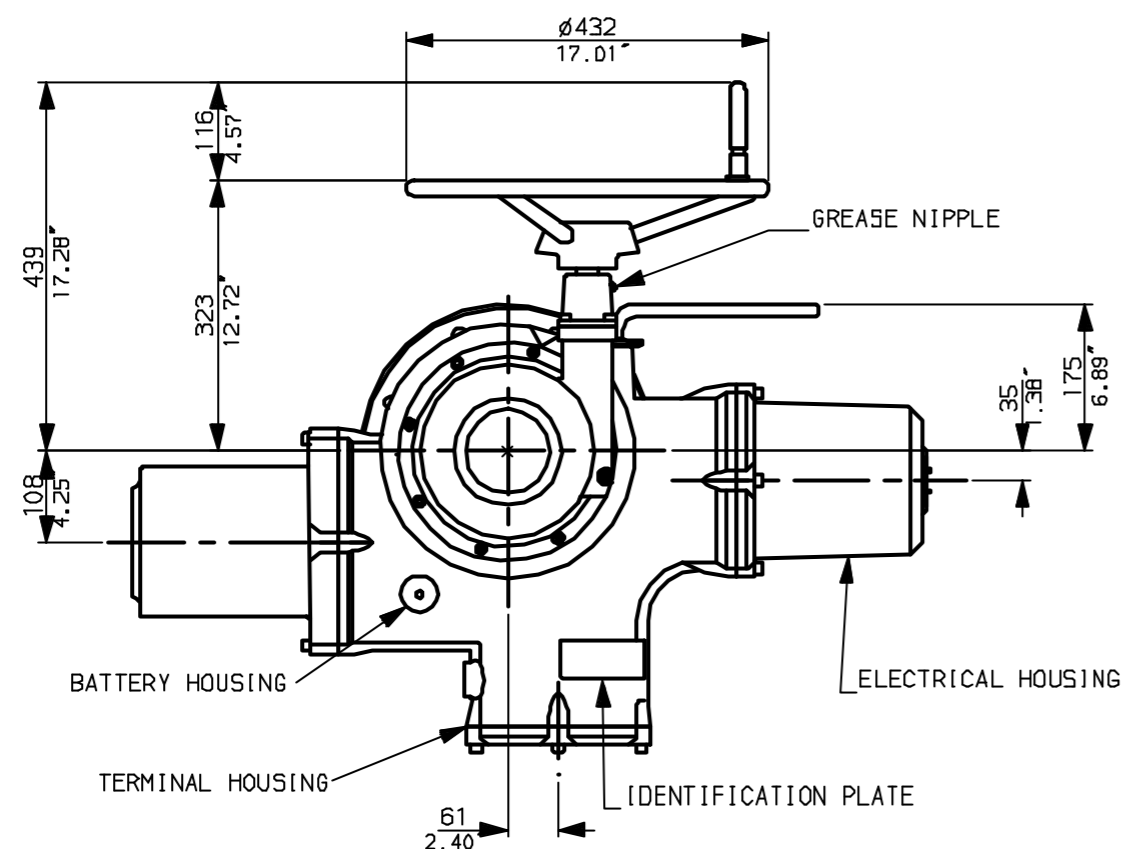


Rotork Controls Ltd.  
 Bath England, BA1 3JQ.  
 (Phone 01225-733200)  
 Rotork Controls Inc.  
 Rochester, NY 14624  
 (Phone 585-328-1550)

Title IQ40, THW, IB8,		
STANDARD DIMENSIONAL DATA		
Drawn CAD	Checked PRE	Ref Data Sheet
Date April 04	Job No IQ40THW_IB8	

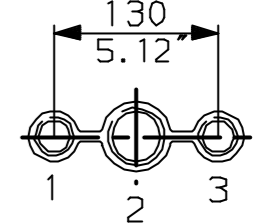
01	First Issue.
Scale 1:9	THIRD ANGLE PROJECTION
Drawing Number	IQ40THW_IB8

G  
F  
E  
D  
C  
B  
A

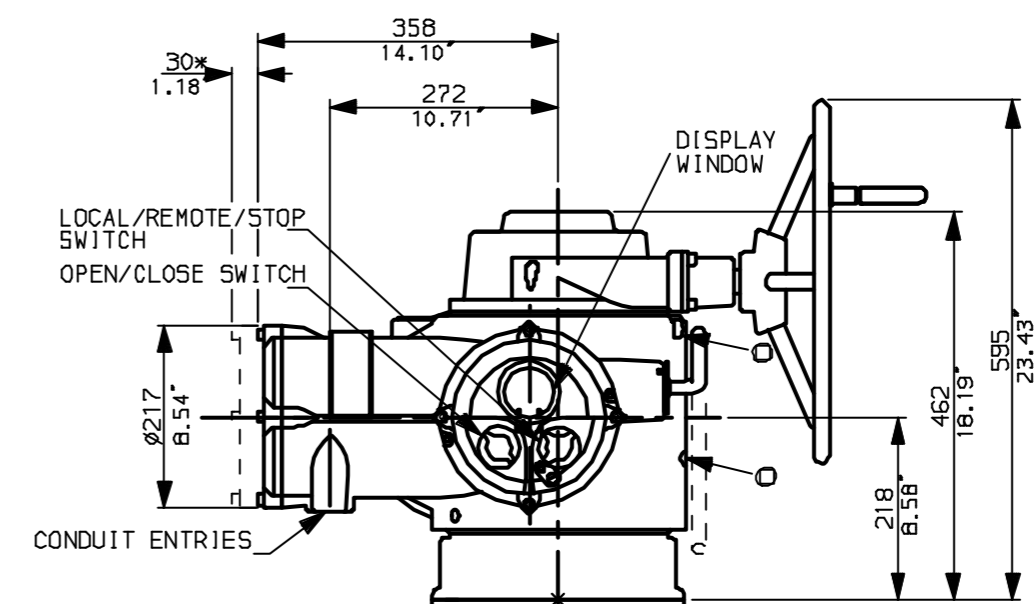


NOTES:  
 \* DIMENSIONS WITH '\*' INDICATE COVER REMOVAL ALLOWANCE  
 : NETT WEIGHT = 255kg (561 lbs)  
 : = OIL FILLER/DRAIN PLUG  
 : THE INTERFACE PROVIDED FOR MOUNTING THE ACTUATOR OR SECOND STAGE GEARBOX ONTO THE VALVE SHOULD CONFORM TO GOOD ENGINEERING PRACTICES, ENSURING ADEQUATELY TOLERANCED LIMITS FOR PARALLELISM, PERPENDICULARITY AND CONCENTRICITY.

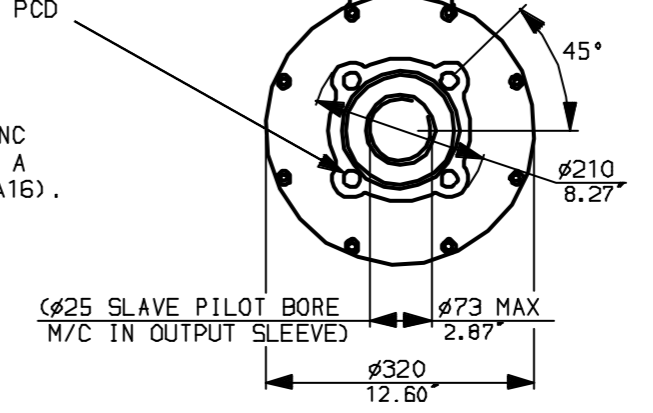
**CONDUIT ENTRIES** (N.T.S)



Nos.1 & 3 TAPPED 1" NPT  
 No.2 TAPPED 1 1/2" NPT  
 STD ALTERNATIVES IF SPECIFIED  
 2 X M25, 1 X M40  
 2 X PG16, 1 X PG29



"F" version  
 4 HOLES TAPPED M20x25 DP  
 EQUI-SPACED ON A 165 PCD  
 (1505210 F16).  
 "FA" version  
 4 HOLES TAPPED 3/4" UNC  
 x 1" dp EQUI-SPACED ON A  
 6.5" PCD (M55 SP102-FA16).



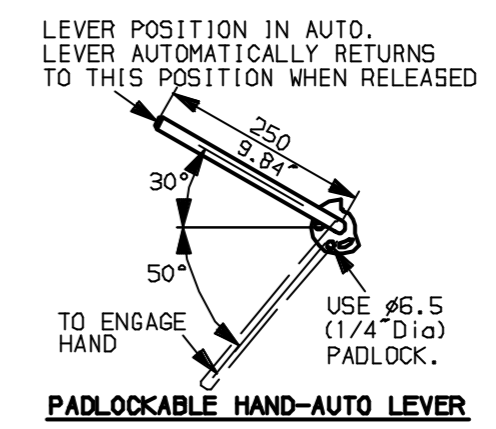
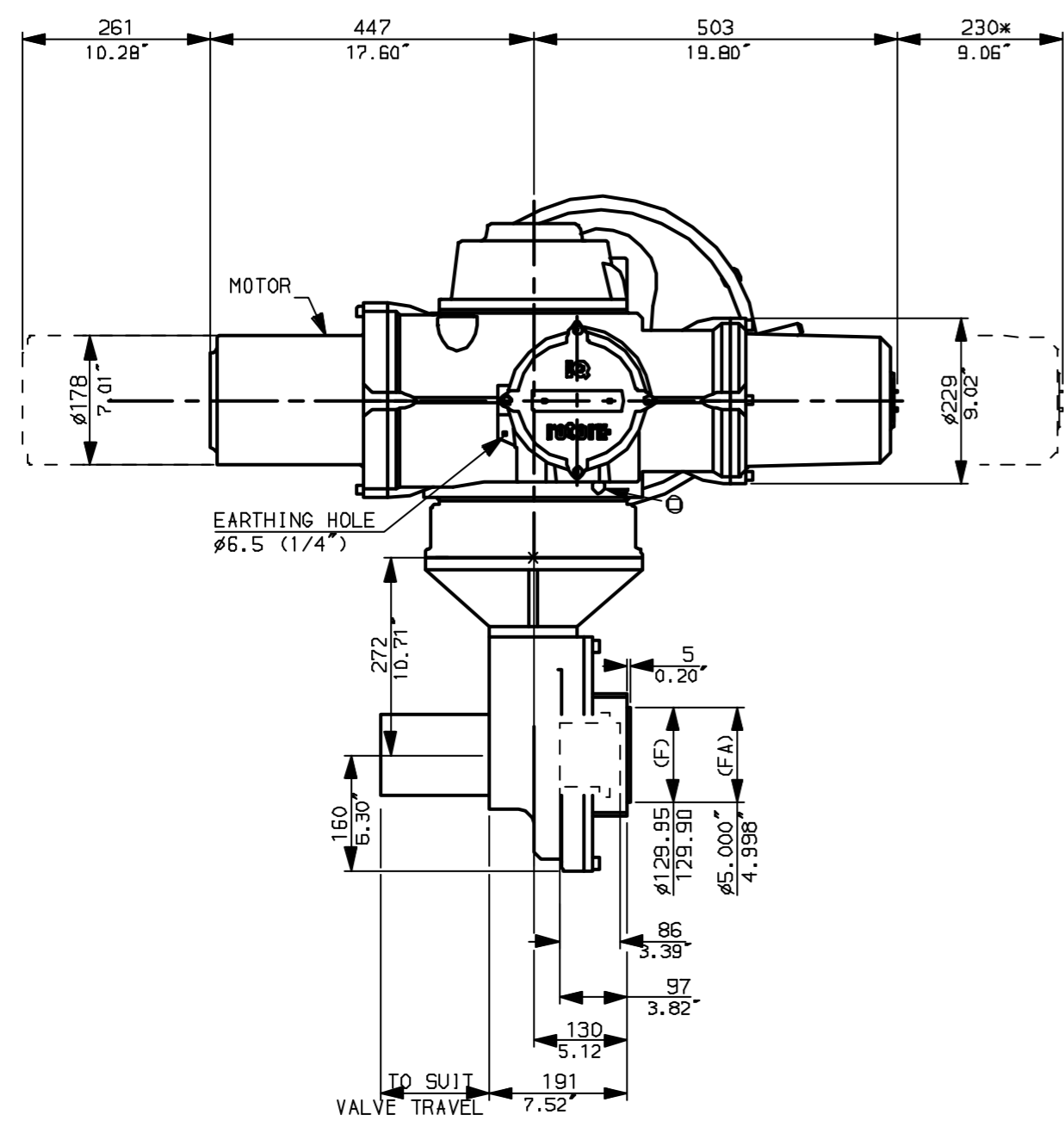
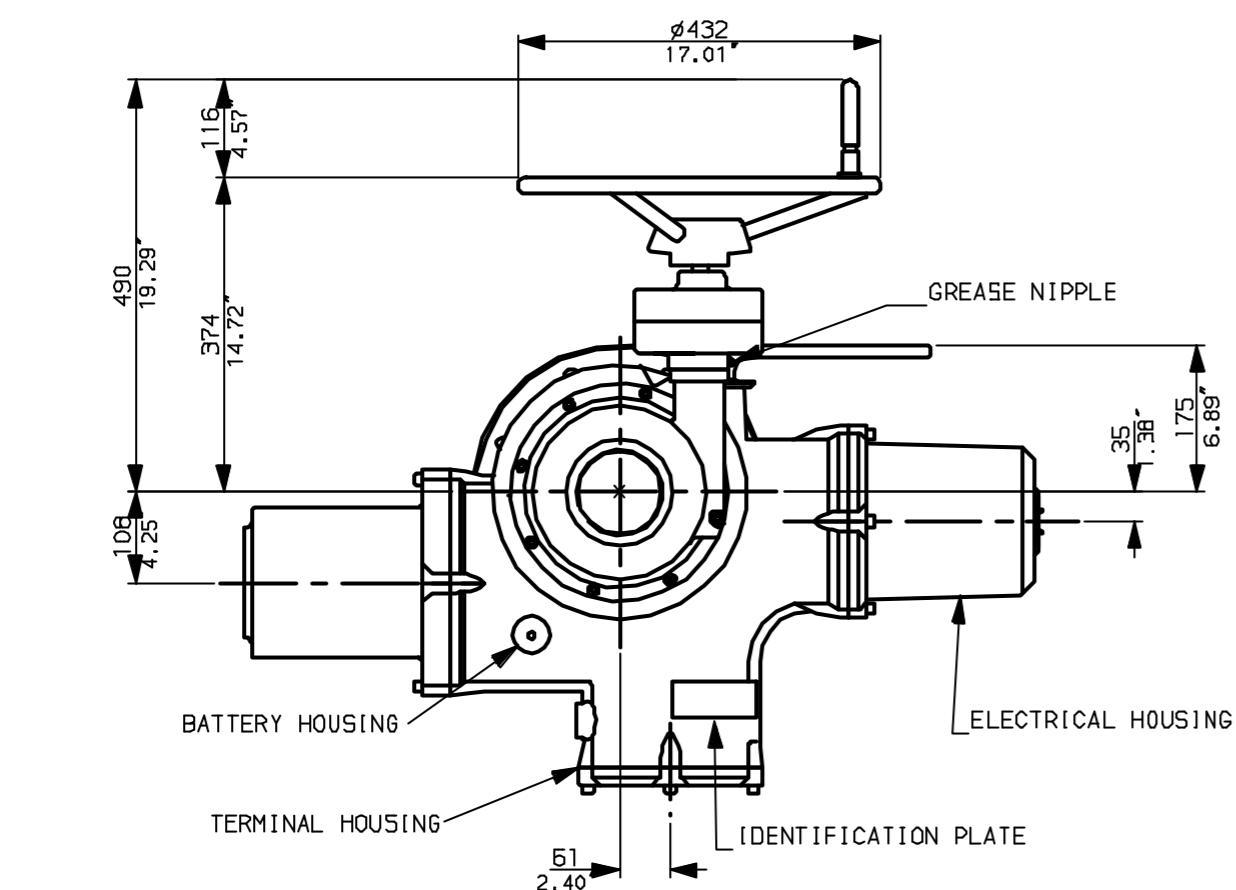
Rotork Controls Ltd.  
 Bath England, BA1 3JQ.  
 (Phone 01225-733200)  
 Rotork Controls Inc.  
 Rochester, NY 14624  
 (Phone 585-328-1550)

Title IQ40, SHW, IB8,		
STANDARD DIMENSIONAL DATA		
Drawn CAD	Checked PRE	Ref Data Sheet
Date April 04	Job No IQ40SHW_IB8	

01	First Issue.
Scale	1:9 THIRD ANGLE PROJECTION
Drawing Number	IQ40SHW_IB8

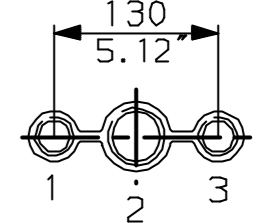
1 | 2 | 3 | 4 | 5 | 6 | 7 | 8 | 9 | 10

G  
F  
E  
D  
C  
B  
A

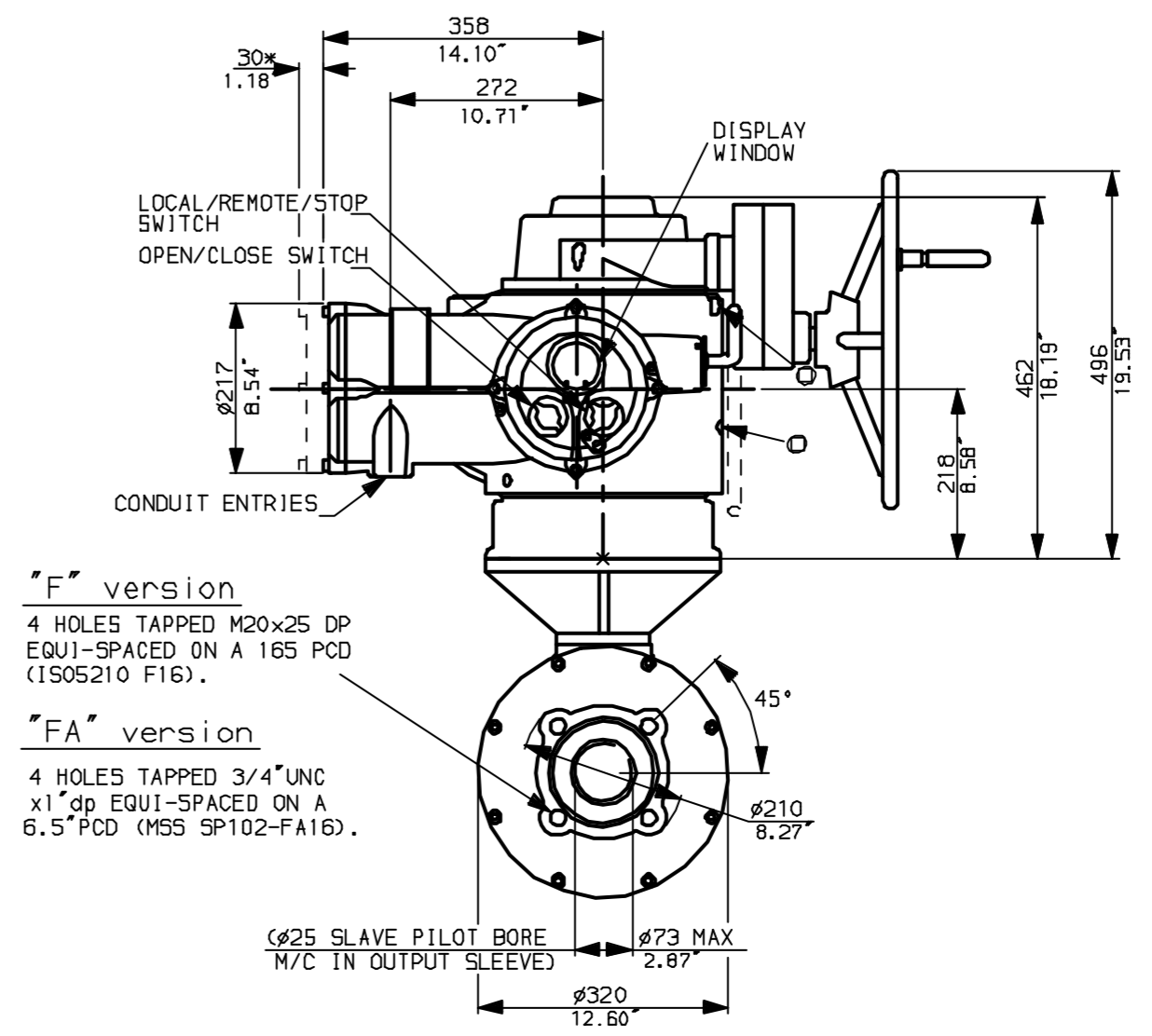


NOTES:  
 \* DIMENSIONS WITH '\*' INDICATE COVER REMOVAL ALLOWANCE  
 : NETT WEIGHT = 255kg (561 lbs)  
 : = OIL FILLER/DRAIN PLUG  
 : THE INTERFACE PROVIDED FOR MOUNTING THE ACTUATOR OR SECOND STAGE GEARBOX ONTO THE VALVE SHOULD CONFORM TO GOOD ENGINEERING PRACTICES, ENSURING ADEQUATELY TOLERANCED LIMITS FOR PARALLELISM, PERPENDICULARITY AND CONCENTRICITY.

**CONDUIT ENTRIES** (N.T.S)



Nos.1 & 3 TAPPED 1" NPT  
 No.2 TAPPED 1 1/2" NPT  
 STD ALTERNATIVES IF SPECIFIED  
 2 X M25, 1 X M40  
 2 X PG16, 1 X PG29



Rotork Controls Ltd.  
 Bath England, BA1 3JQ.  
 (Phone 01225-733200)  
 Rotork Controls Inc.  
 Rochester, NY 14624  
 (Phone 585-328-1550)

Title IQ40, SSHW, IB8,		
STANDARD DIMENSIONAL DATA		
Drawn CAD	Checked PRE	Ref Data Sheet
Date April 04	Job No	<b>IQ40SSHW_IB8</b>

01	First Issue.
Scale	1:9 THIRD ANGLE PROJECTION
Drawing Number	<b>IQ40SSHW_IB8</b>

1 | 2 | 3 | 4 | 5 | 6 | 7 | 8 | 9 | 10