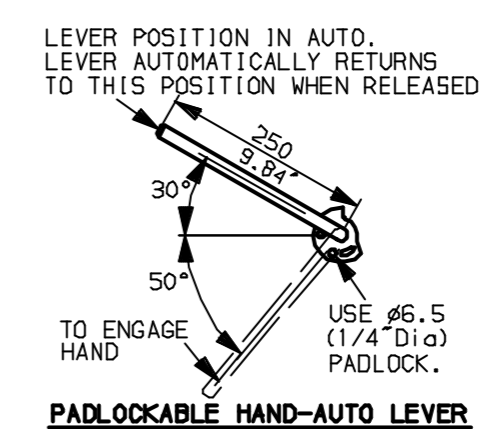
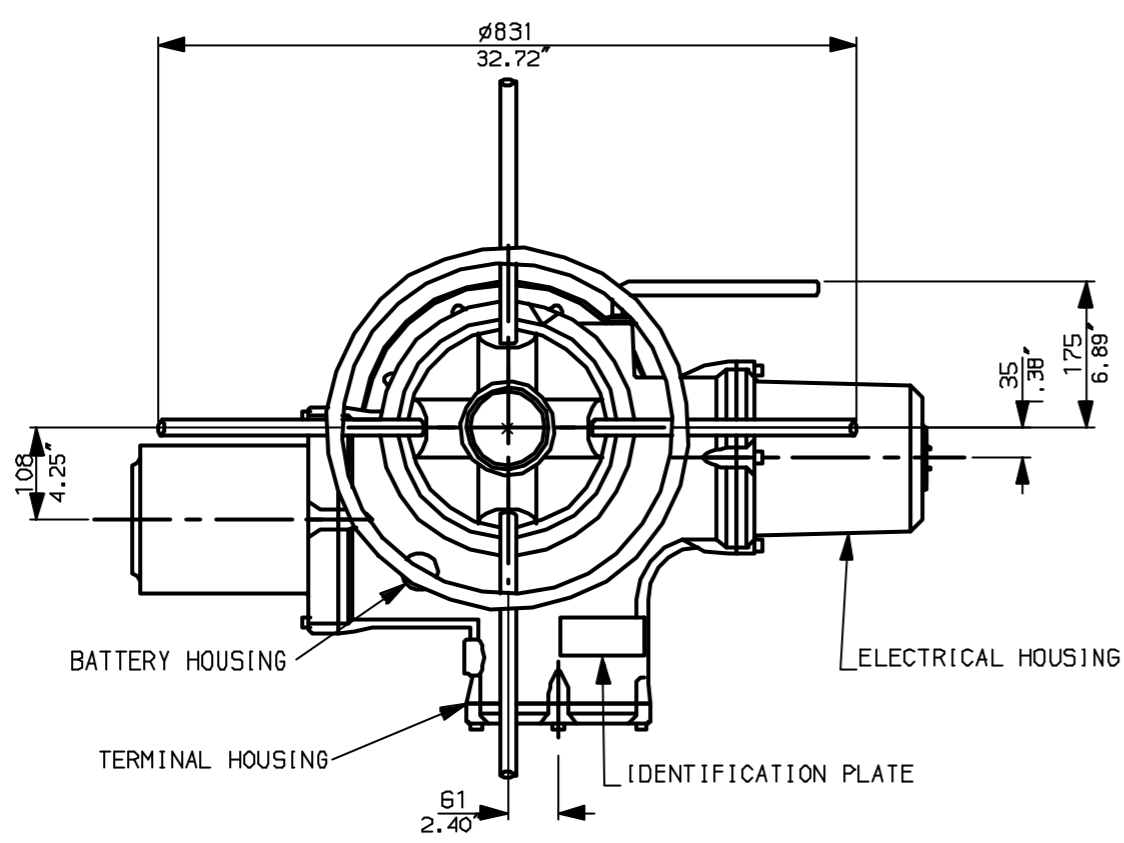
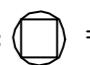
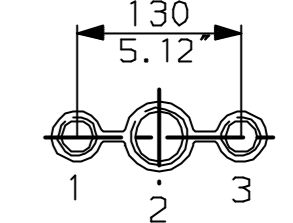


G  
F  
E  
D  
C  
B  
A

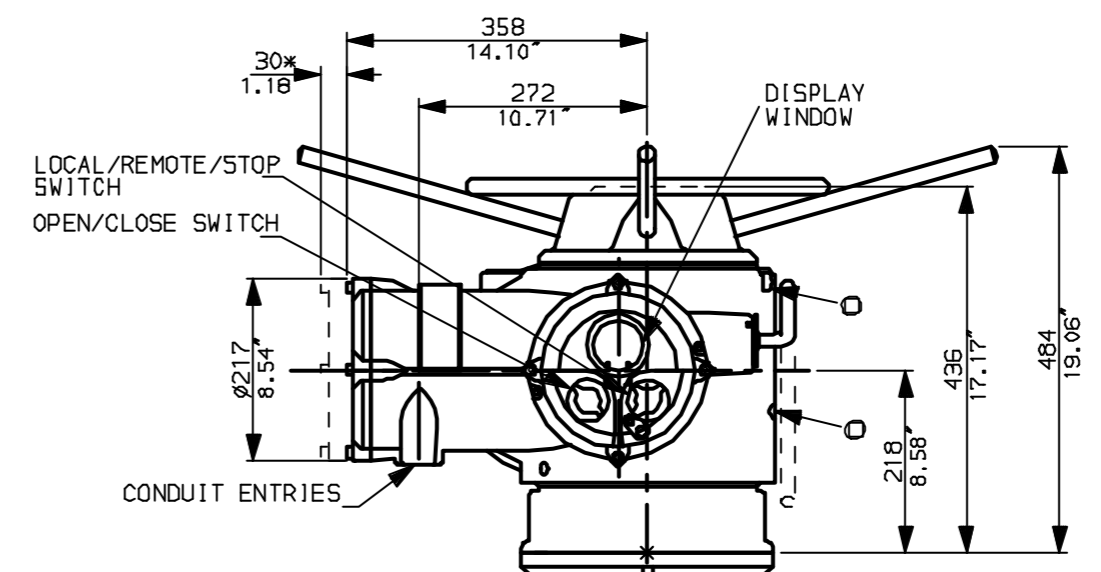
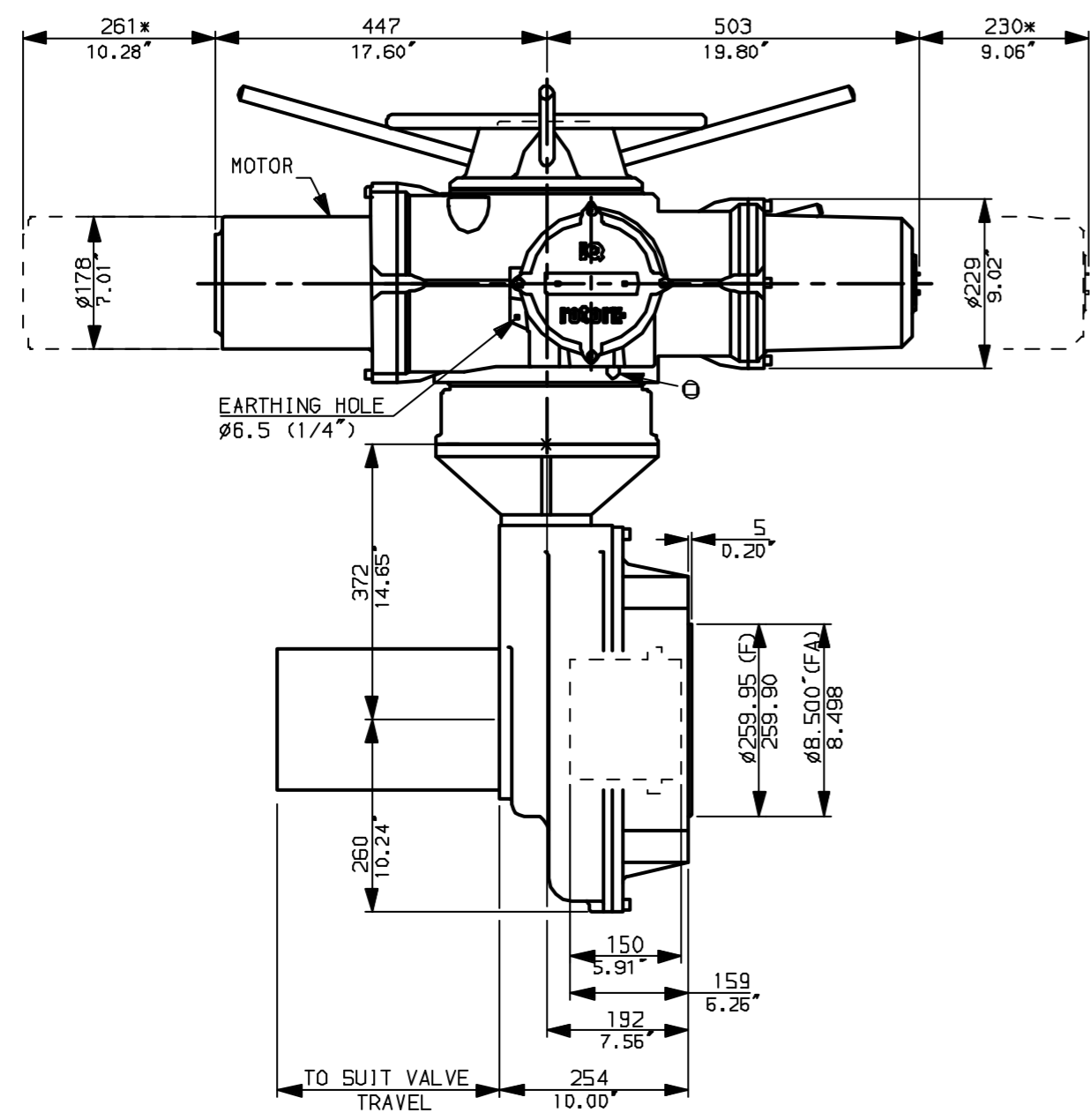


NOTES:  
 \* DIMENSIONS WITH '\*' INDICATE COVER REMOVAL ALLOWANCE  
 : NETT WEIGHT = 400kg (880lbs)  
 :  = OIL FILLER/DRAIN PLUG  
 : THE INTERFACE PROVIDED FOR MOUNTING THE ACTUATOR OR SECOND STAGE GEARBOX ONTO THE VALVE SHOULD CONFORM TO GOOD ENGINEERING PRACTICES, ENSURING ADEQUATELY TOLERANCED LIMITS FOR PARALLELISM, PERPENDICULARITY AND CONCENTRICITY.

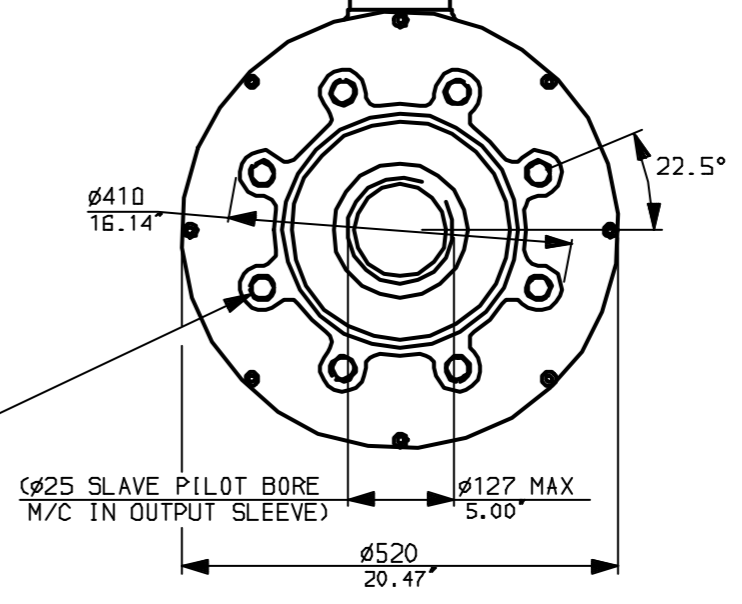
**CONDUIT ENTRIES** (N.T.S)



Nos.1 & 3 TAPPED 1" NPT  
 No.2 TAPPED 1 1/2" NPT  
 STD ALTERNATIVES IF SPECIFIED  
 2 X M25, 1 X M40  
 2 X PG16, 1 X PG29



"F" version  
 8 HOLES TAPPED M30x40 DP  
 EQUI-SPACED ON A 356 PCD  
 (1505210 F35)  
 "FA" version  
 8 HOLES TAPPED 1"UNC  
 x1.6"dp EQUI-SPACED ON A  
 14"PCD (M55 SP102-FA35)



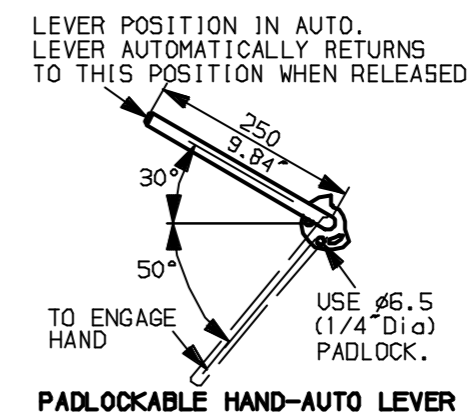
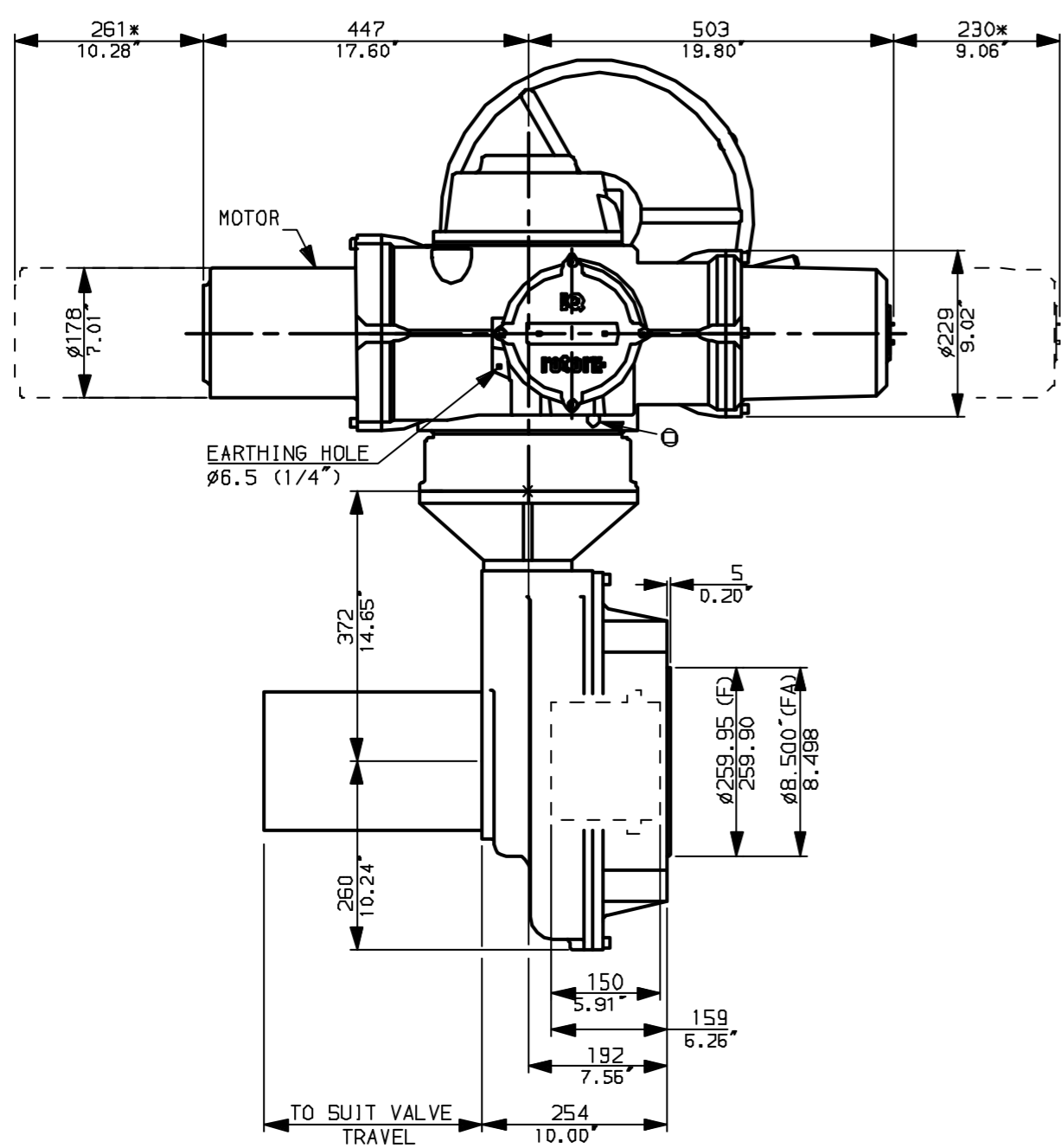
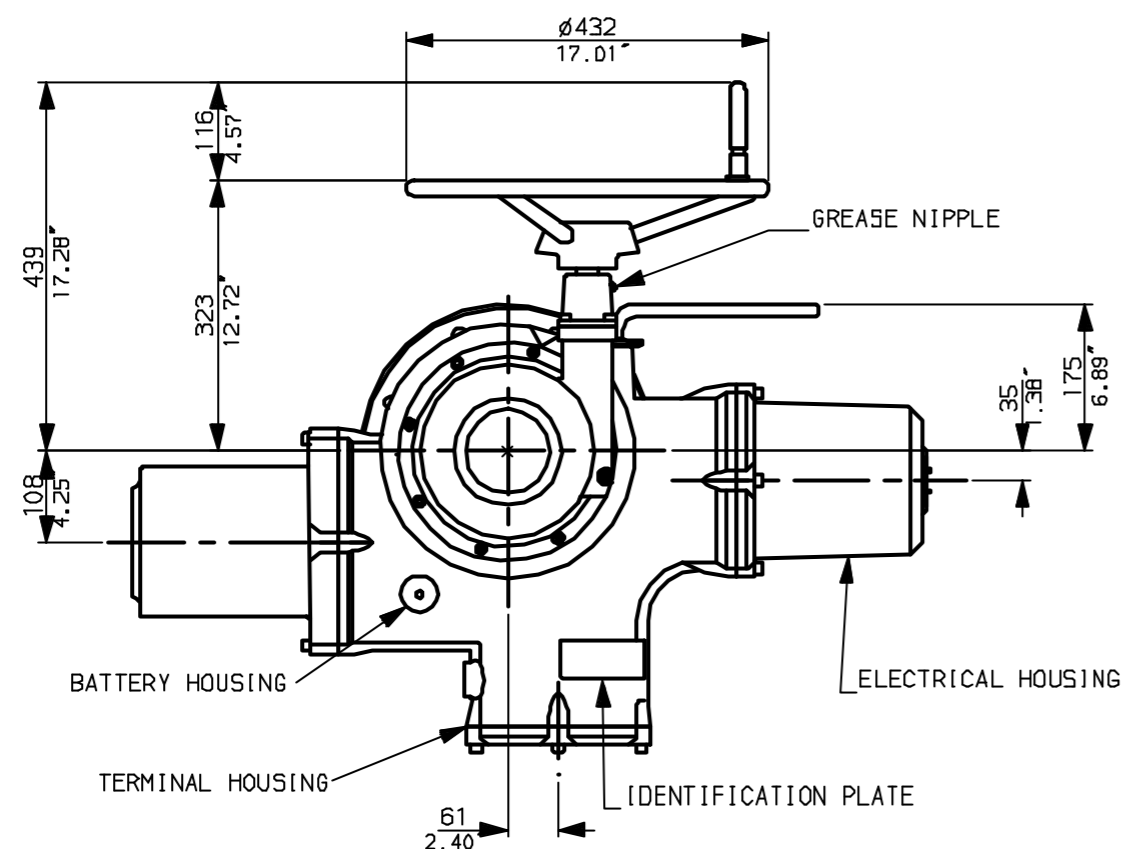
Rotork Controls Ltd.  
 Bath England, BA1 3JQ.  
 (Phone 01225-733200)  
 Rotork Controls Inc.  
 Rochester, NY 14624  
 (Phone 585-328-1550)

Title IQ40, THW, IB13,		
STANDARD DIMENSIONAL DATA		
Drawn CAD	Checked PRE	Ref Data Sheet
Date April 04	Job No	<b>IQ40THW_IB13</b>

01	First Issue.
Scale	1:9 THIRD ANGLE PROJECTION
Drawing Number	<b>IQ40THW_IB13</b>

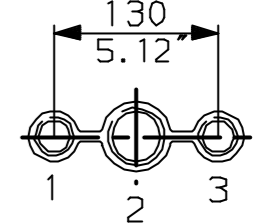
1 | 2 | 3 | 4 | 5 | 6 | 7 | 8 | 9 | 10

G  
F  
E  
D  
C  
B  
A

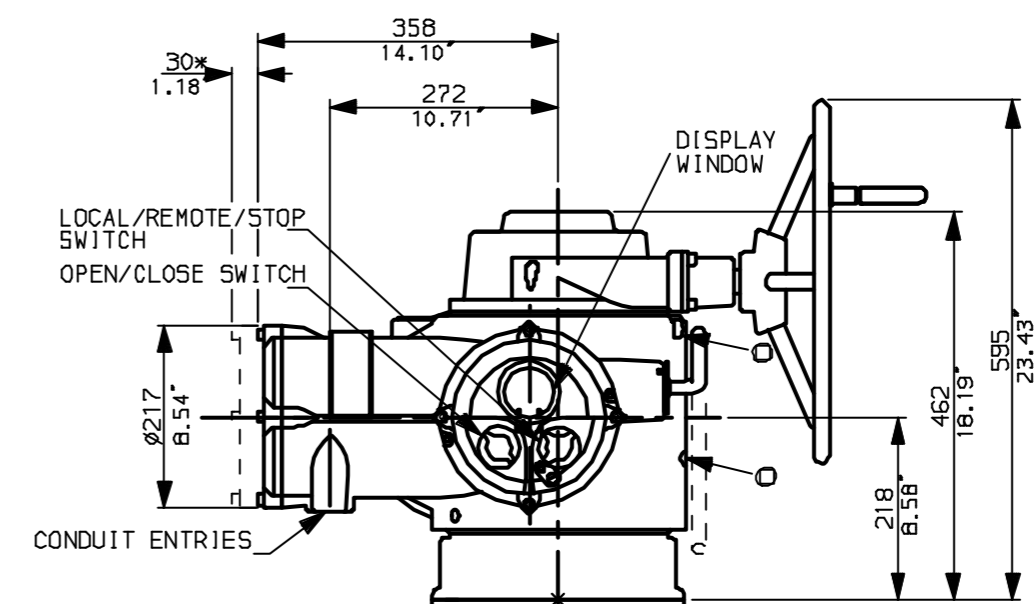


NOTES:  
 \* DIMENSIONS WITH '\*' INDICATE COVER REMOVAL ALLOWANCE  
 : NETT WEIGHT = 400kg (880lbs)  
 :  $\odot$  = OIL FILLER/DRAIN PLUG  
 : THE INTERFACE PROVIDED FOR MOUNTING THE ACTUATOR OR SECOND STAGE GEARBOX ONTO THE VALVE SHOULD CONFORM TO GOOD ENGINEERING PRACTICES, ENSURING ADEQUATELY TOLERANCED LIMITS FOR PARALLELISM, PERPENDICULARITY AND CONCENTRICITY.

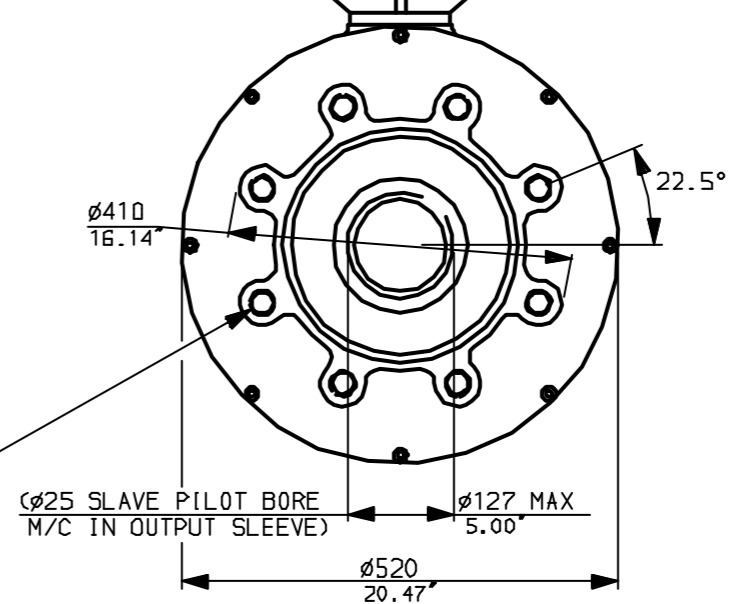
CONDUIT ENTRIES (N.T.S)



Nos.1 & 3 TAPPED 1" NPT  
 No.2 TAPPED 1 1/2" NPT  
 STD ALTERNATIVES IF SPECIFIED  
 2 X M25, 1 X M40  
 2 X PG16, 1 X PG29



"F" version  
 8 HOLES TAPPED M30x40 DP  
 EQUI-SPACED ON A 356 PCD  
 (I905210 F35)  
 "FA" version  
 8 HOLES TAPPED 1" UNC  
 x1.6" dp EQUI-SPACED ON A  
 14" PCD (M55 5P102-FA35)



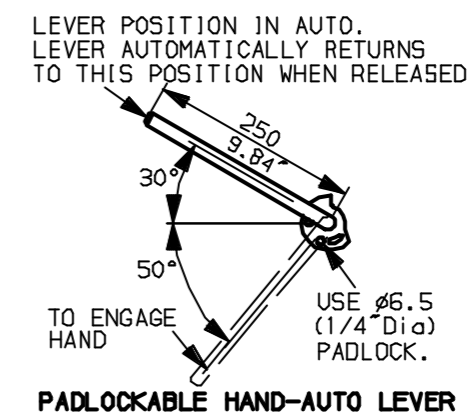
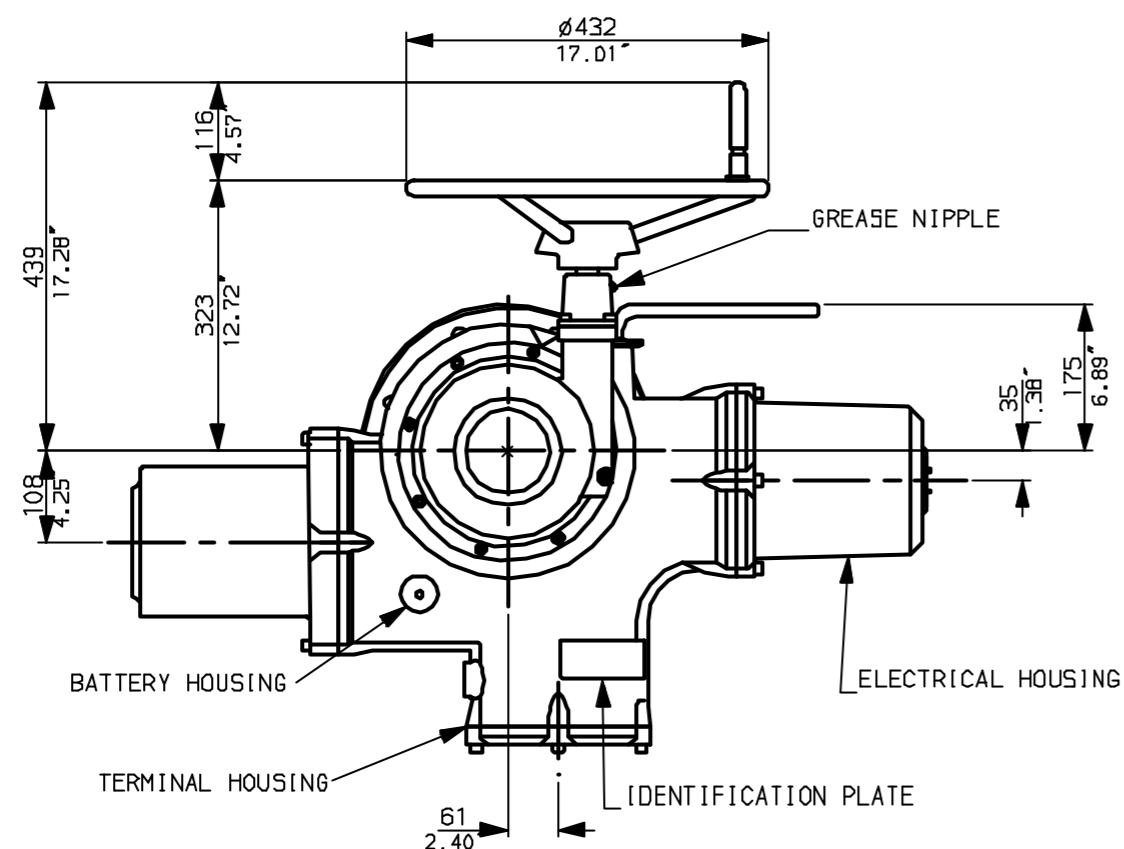
Rotork Controls Ltd.  
 Bath England, BA1 3JQ.  
 (Phone 01225-733200)  
 Rotork Controls Inc.  
 Rochester, NY 14624  
 (Phone 585-328-1550)

Title IQ40, SHW, IB13,		
STANDARD DIMENSIONAL DATA		
Drawn CAD	Checked PRE	Ref Data Sheet
Date April 04	Job No	<b>IQ40SHW_IB13</b>

01	First Issue.
Scale	1:9 THIRD ANGLE PROJECTION
Drawing Number	<b>IQ40SHW_IB13</b>

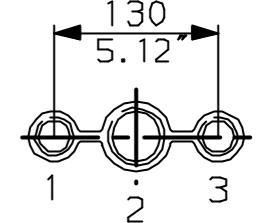
1 | 2 | 3 | 4 | 5 | 6 | 7 | 8 | 9 | 10

G  
F  
E  
D  
C  
B  
A

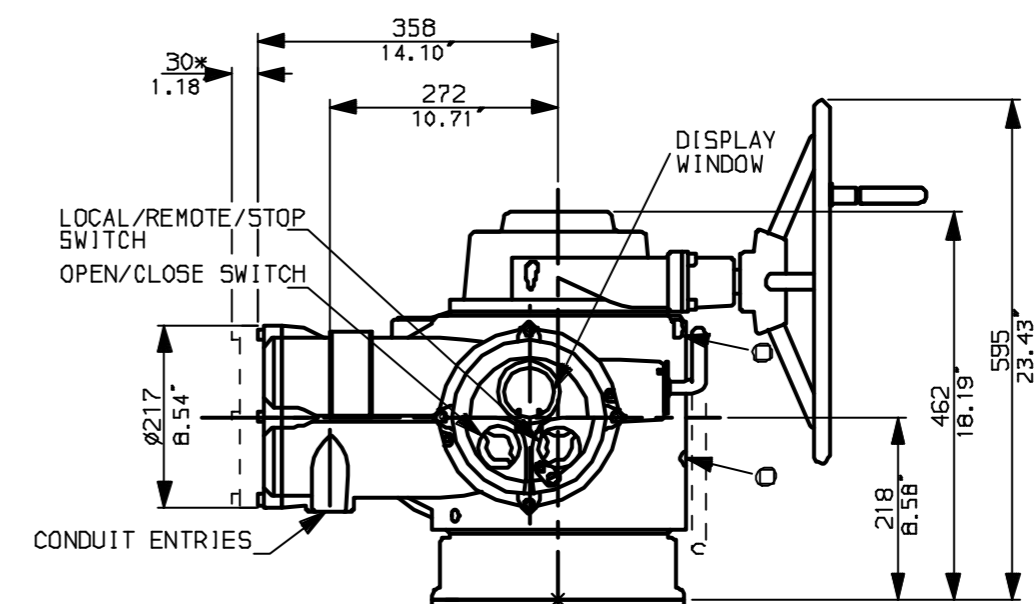
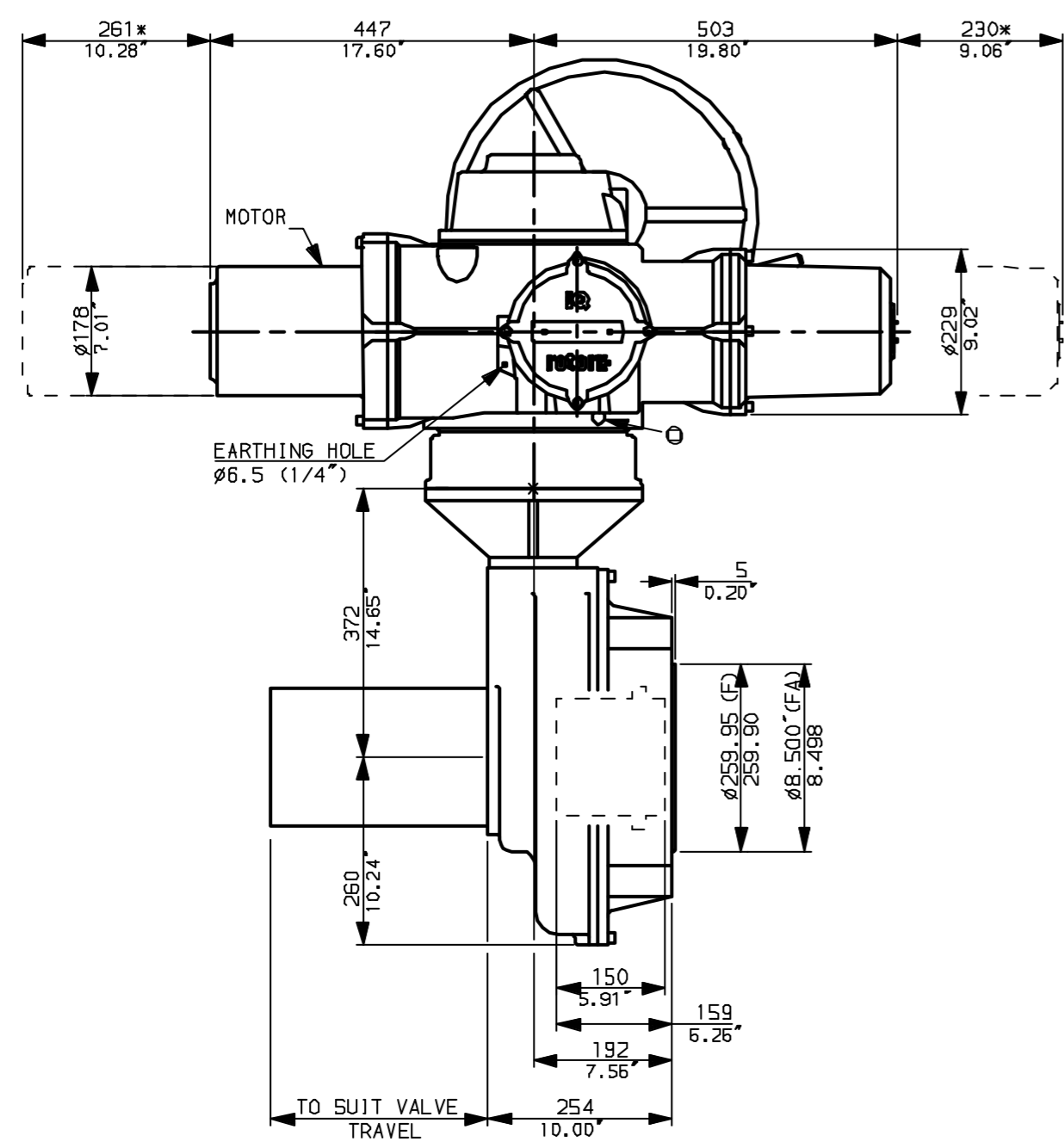


**NOTES:**  
 : DIMENSIONS WITH '\*' INDICATE COVER REMOVAL ALLOWANCE  
 : NETT WEIGHT = 400kg (880lbs)  
 : = OIL FILLER/DRAIN PLUG  
 : THE INTERFACE PROVIDED FOR MOUNTING THE ACTUATOR OR SECOND STAGE GEARBOX ONTO THE VALVE SHOULD CONFORM TO GOOD ENGINEERING PRACTICES, ENSURING ADEQUATELY TOLERANCED LIMITS FOR PARALLELISM, PERPENDICULARITY AND CONCENTRICITY.

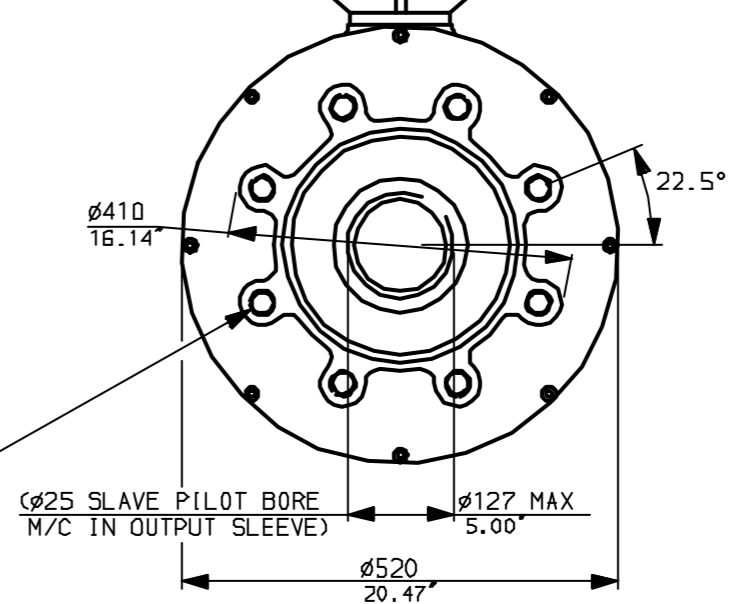
**CONDUIT ENTRIES (N.T.S)**



Nos.1 & 3 TAPPED 1" NPT  
 No.2 TAPPED 1 1/2" NPT  
 STD ALTERNATIVES IF SPECIFIED  
 2 X M25, 1 X M40  
 2 X PG16, 1 X PG29



**"F" version**  
 8 HOLES TAPPED M30x40 DP  
 EQUI-SPACED ON A 356 PCD  
 (I905210 F35)  
**"FA" version**  
 8 HOLES TAPPED 1" UNC  
 x 1.6" dp EQUI-SPACED ON A  
 14" PCD (M55 5P102-FA35)



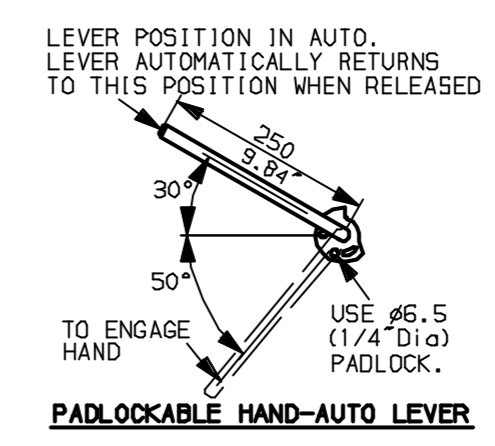
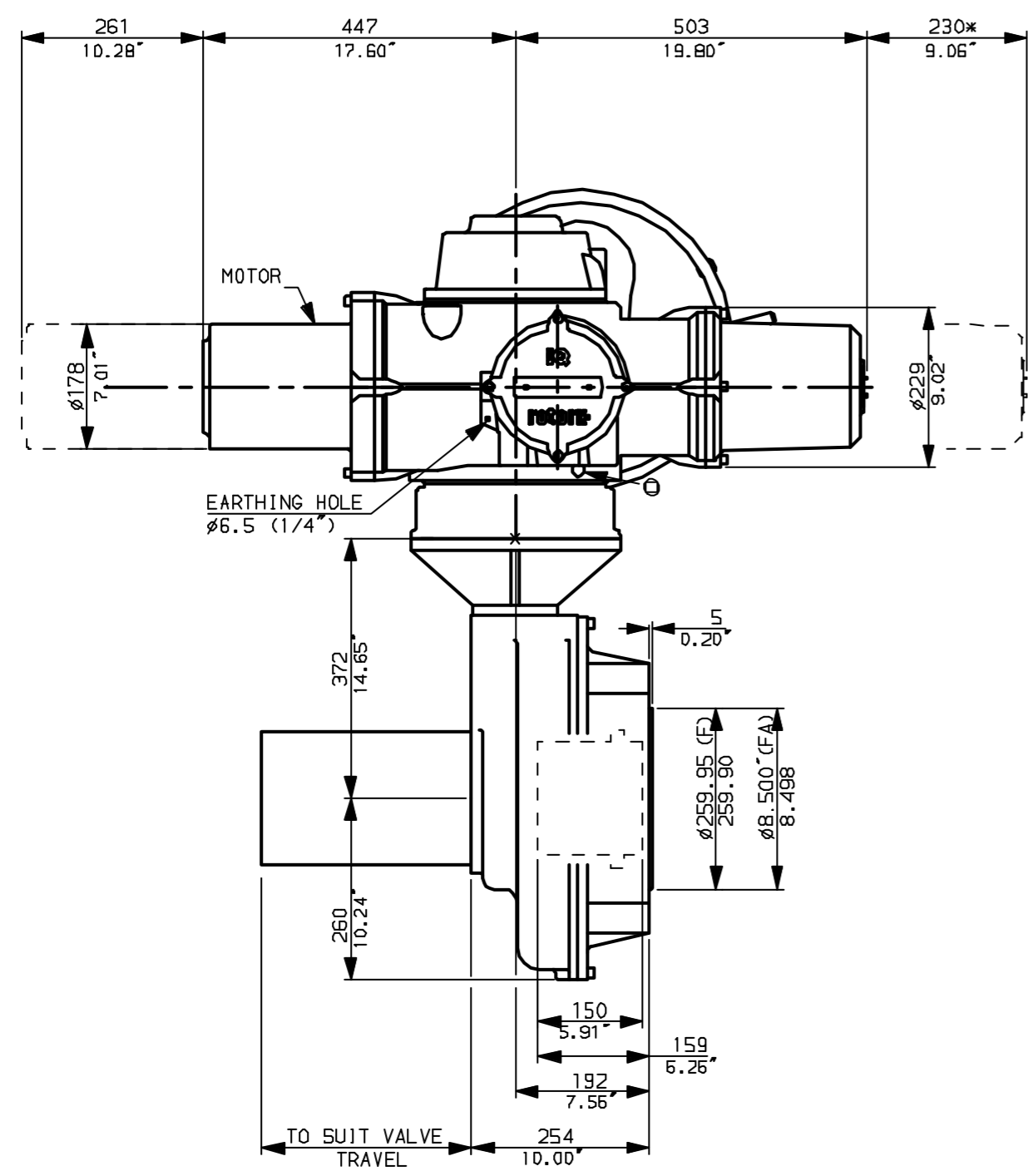
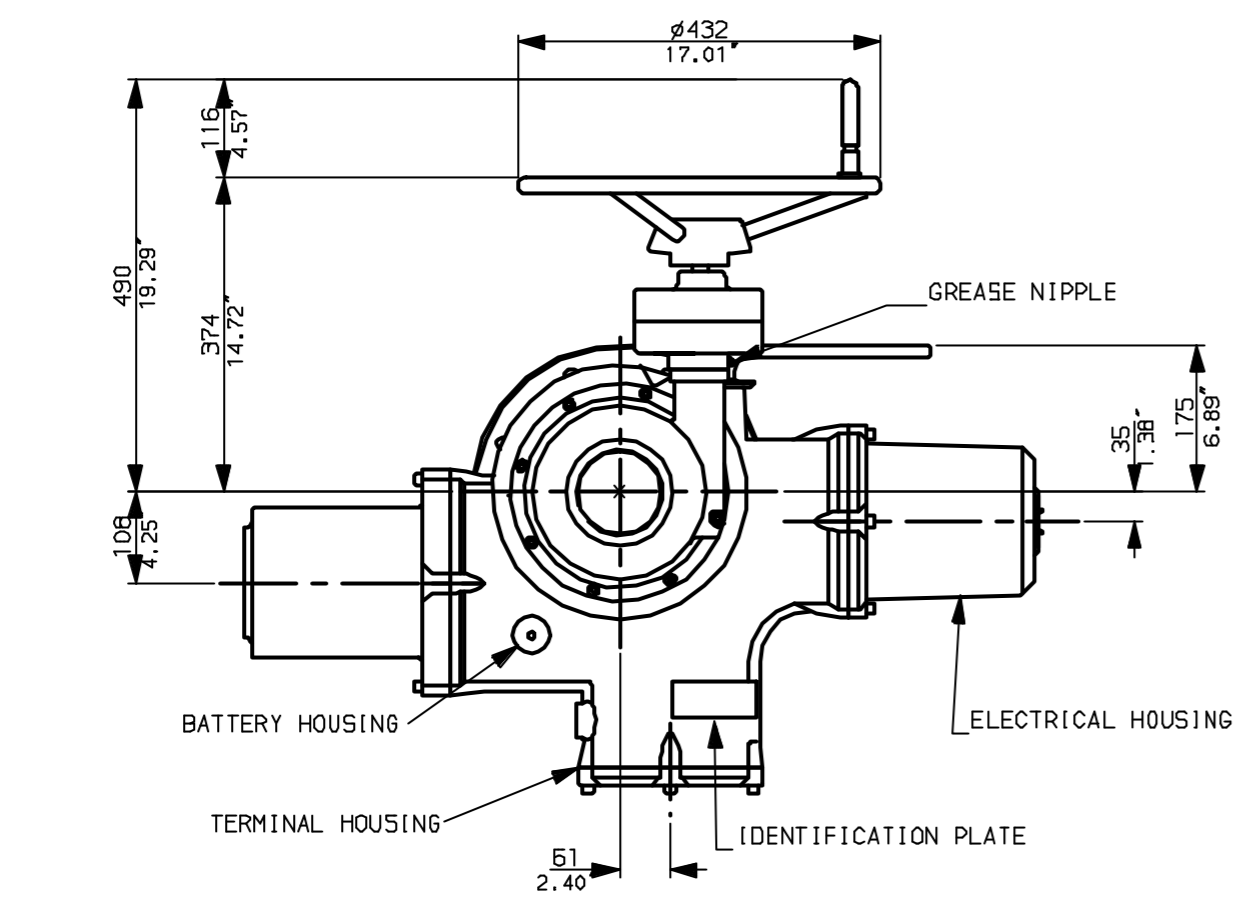
Rotork Controls Ltd.  
 Bath England, BA1 3JQ.  
 (Phone 01225-733200)  
 Rotork Controls Inc.  
 Rochester, NY 14624  
 (Phone 585-328-1550)

Title IQ40, SHW, IB13,		
STANDARD DIMENSIONAL DATA		
Drawn CAD	Checked PRE	Ref Data Sheet
Date April 04	Job No	<b>IQ40SHW_IB13</b>

01	First Issue.
Scale	1:9 THIRD ANGLE PROJECTION
Drawing Number	<b>IQ40SHW_IB13</b>

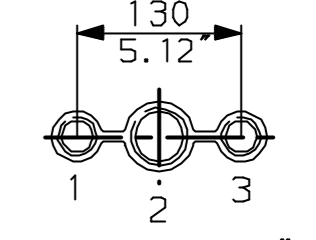
1 | 2 | 3 | 4 | 5 | 6 | 7 | 8 | 9 | 10

G  
F  
E  
D  
C  
B  
A

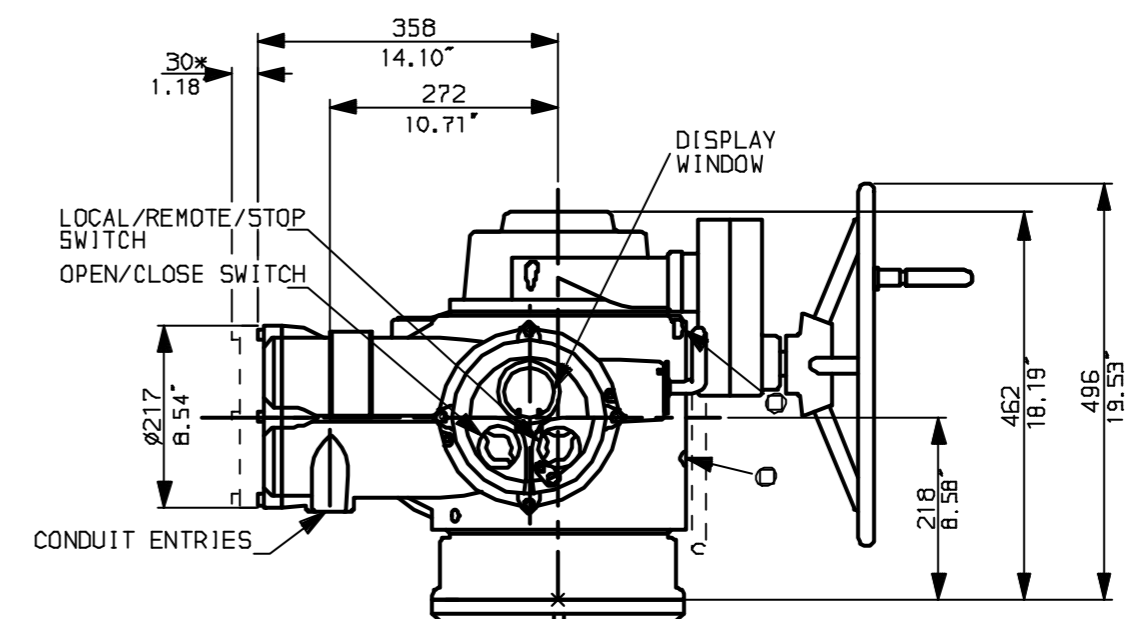


NOTES:  
 \* DIMENSIONS WITH '\*' INDICATE COVER REMOVAL ALLOWANCE  
 : NETT WEIGHT = 400kg (880lbs)  
 :  $\odot$  = OIL FILLER/DRAIN PLUG  
 : THE INTERFACE PROVIDED FOR MOUNTING THE ACTUATOR OR SECOND STAGE GEARBOX ONTO THE VALVE SHOULD CONFORM TO GOOD ENGINEERING PRACTICES, ENSURING ADEQUATELY TOLERANCED LIMITS FOR PARALLELISM, PERPENDICULARITY AND CONCENTRICITY.

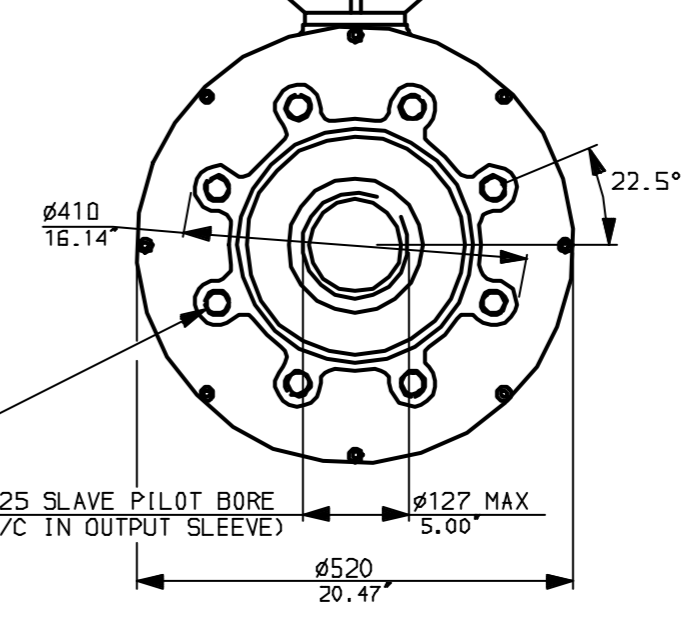
CONDUIT ENTRIES (N.T.S)



Nos.1 & 3 TAPPED 1" NPT  
 No.2 TAPPED 1 1/2" NPT  
 STD ALTERNATIVES IF SPECIFIED  
 2 X M25, 1 X M40  
 2 X PG16, 1 X PG29



"F" version  
 8 HOLES TAPPED M30x40 DP  
 EQUI-SPACED ON A 356 PCD  
 (ISO5210 F35)  
 "FA" version  
 8 HOLES TAPPED 1"UNC  
 x1.6"dp EQUI-SPACED ON A  
 14"PCD (MSS SP102-FA35)



Rotork Controls Ltd.  
 Bath England, BA1 3JQ.  
 (Phone 01225-733200)  
 Rotork Controls Inc.  
 Rochester, NY 14624  
 (Phone 585-328-1550)

Title IQ40, SSHW, IB13,		
STANDARD DIMENSIONAL DATA		
Drawn CAD	Checked PRE	Ref Data Sheet
Date April 04	Job No	IQ40SSHW_IB13

01	First Issue.
Scale	1:9 THIRD ANGLE PROJECTION
Drawing Number	IQ40SSHW_IB13

1 | 2 | 3 | 4 | 5 | 6 | 7 | 8 | 9 | 10